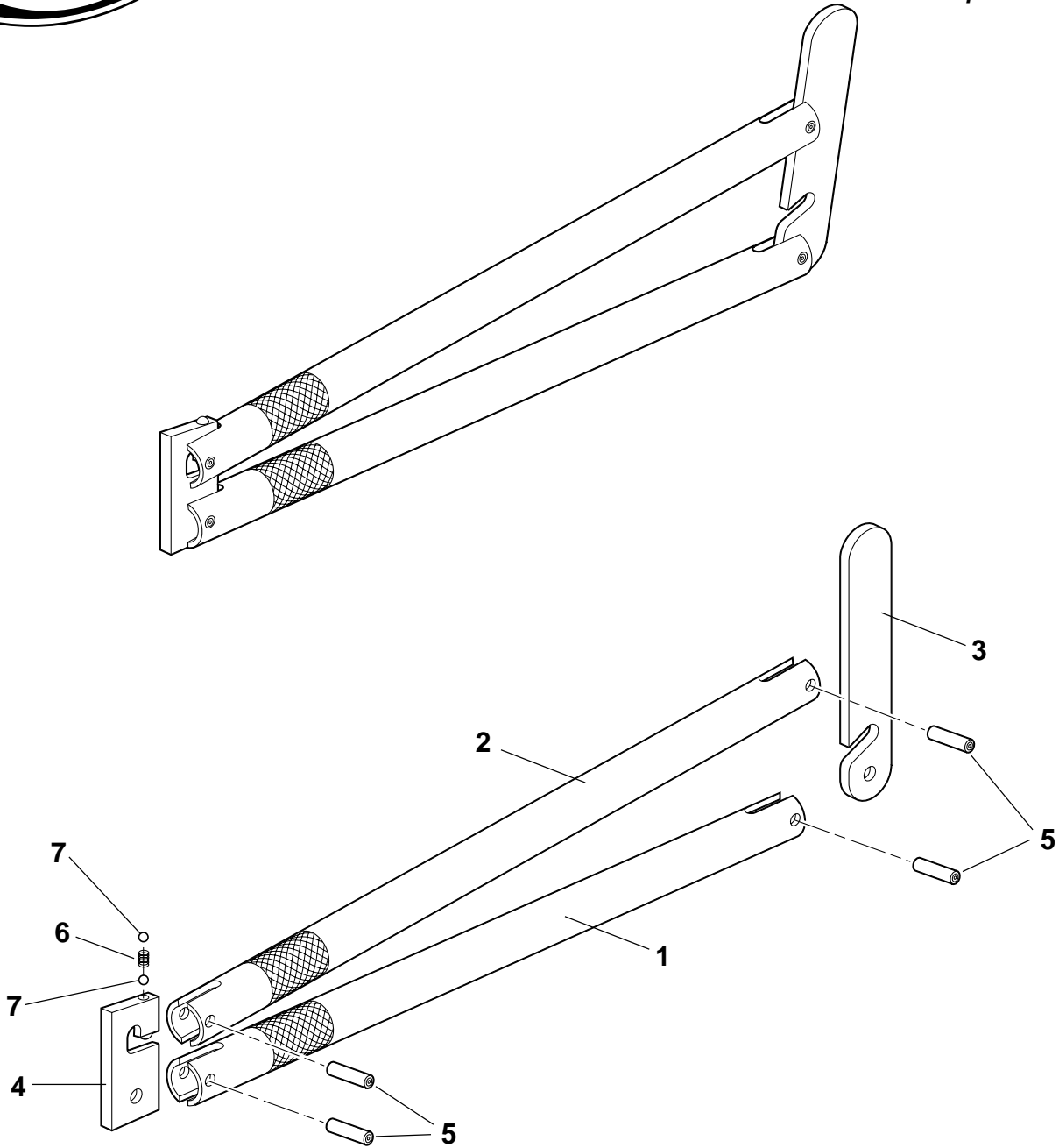




PE Water Service Shut-Off Tool (PES01)

Replacement Parts



Parts List

Ref. No.	Description	Item Code	Cat. No.	Qty. Used
1	Fixed Bar	94300	POF FIXED BAR	1
2	Clamp Bar	94301	POF CLAMP BAR	1
3	Latch	94302	POF LATCH	1
4	Hinge	94303	POF HINGE	1
5	Spirol Pin	94305	FSP 1/4X7/8	4
6	Spring	94304	POF SPRING	1
7	Ball Detent	93447	FSB3/16ZF	2

Reed Manufacturing Co.
1425 West 8th St.
Erie, PA 16502 U.S.A.



Phone: 800-666-3691 or 814-452-3691
Fax: 800-456-1697 or 814-455-1697

RP-1199-31