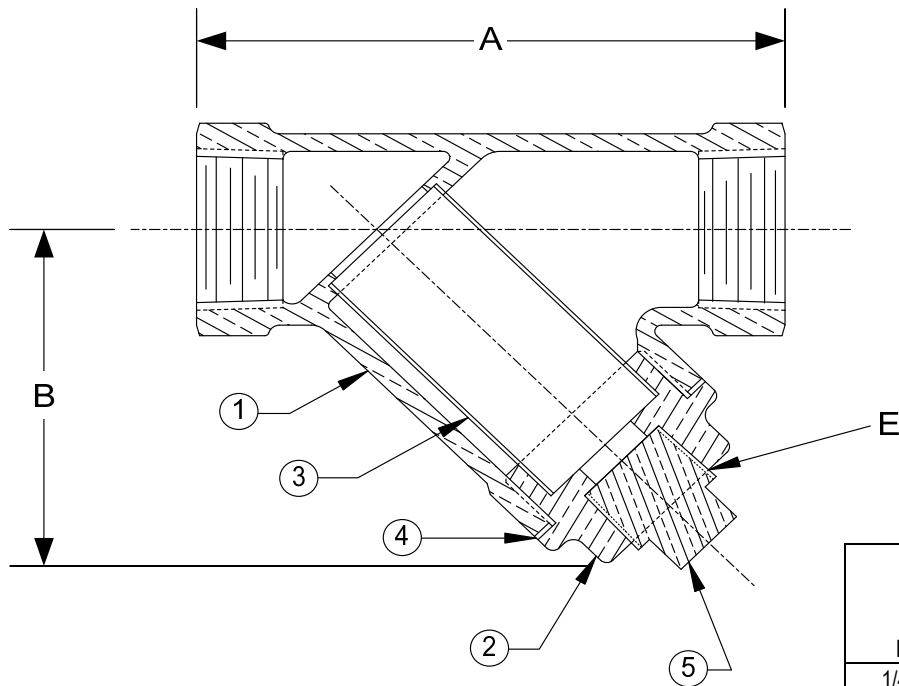


DRAWING NO.
AL 73154



PRESSURE & TEMPERATURE RATINGS – NON SHOCK		
NOM. RATING	MEDIA	1/4" to 3"
125# (THREADED)	STEAM	125 PSI @ 400°F
	W.O.G.	200 PSI @ 150°F

PARTS LIST		
ITEM	DESCRIPTION	MATERIAL
1	BODY	BRONZE (ASTM B 584, C84400)
2	CAP	BRONZE (ASTM B 584, C84400)
3	SCREEN	STAINLESS STEEL (304)
4	GASKET	COMPOSITION
5	PLUG	BORNZE (ASTM B 584, C84400)

Product Numbers†	SIZE	DIMENSIONS (in)			WEIGHT (lbs)
		A	B	E	
1/41THY-BCM20M34-FTI	1/4	3-3/16	2-1/4	3/8	0.80
3/81THY-BCM20M34-FTI	3/8	3-3/16	2-1/4	3/8	0.80
1/21THY-BCM20M34-FTI	1/2	3-3/16	2-1/4	3/8	0.80
3/41THY-BCM20M34-FTI	3/4	3-15/16	2-5/8	3/8	1.20
11THY-BCM20M34-FTI	1	4-1/2	3	1/2	1.80
11/41THY-BCM20M34-FTI	1-1/4	5-5/16	3-9/16	1/2	2.70
11/21THY-BCM20M34-FTI	1-1/2	6-3/16	4	1/2	3.60
21THY-BCM20M34-FTI	2	7-1/2	4-5/8	1/2	5.60
21/21THY-BC045P34-FTI	2-1/2	9	5-1/2	1/2	10.00
31THY-BC045P34-FTI	3	10-1/8	6-1/8	1/2	13.50

†See "Style F150 Product Number Configuration" for additional options.
Face to face values tolerance in compliance with ASME B16.15.

STANDARD SCREENS SUPPLIED

SIZE	SCREEN PERFORATION			
	FOR LIQUID	OPEN AREA	FOR STEAM	OPEN AREA
in	in		in	
1/4 to 2	20 MESH STAINLESS STEEL			49%
2-1/2 to 3	3/64	33%	3/64"	33%

Standard screens supplied are for **liquid service**, unless otherwise specified.
Options: Other meshes, perforations, and screen materials are available.

KECKLEY

3400 CLEVELAND SKOKIE ILLINOIS

DRAWING NO.
AL 73154

DIMENSIONAL ASSEMBLY		PART NO.
1/4" to 3" 125# Threaded Style F150		SCALE: NTS
(Import)		DATE: 09/21/2020
MAT'L: Cast Bronze	REQ. ---	DR. BY DSF