

# HYMAX<sup>®</sup>

a **MUELLER** brand

## HYMAX CLAMP<sup>®</sup> (1.5" - 26") Product Specifications

### FEATURES

- Easy to install - starting with only 2 bolts
- Stainless steel, lightweight monoblock design
- Wide-range, replaces up to 3 standard products
- Strong and anti-corrosion resistant
- Suitable for all pipe types
- Durable EPDM gasket



NOTE: Pictures and drawings reflect HYMAX Clamp sizes 1.5" - 12". Sizes 14" - 26" have two closing mechanisms.

### SPECIFICATIONS STANDARDS

- All products meet or exceed standards AWWA C230, NSF 61 and NSF 372.

### SIZE

Available in nominal diameter from 1.5" - 26":

- 6" length: 1.5" - 12" ND.
- 9" length: 1.5" - 12" ND.
- 12" length: 1.5" - 26" ND.
- 15" length: 4" - 26" ND.
- 24" length: 4" - 26" ND.

### MATERIALS BODY

- AISI 304 stainless steel.

### PRESSURE-ASSISTED GASKET

- EPDM compounded for water and sewerage. Meets NSF 61 and NSF 372 for contact with drinking water.

### GASKET BRIDGE

- AISI 304 stainless steel.

### COMPRESSION BEAM

- AISI 304/304L casting (ASTM A351 CF8).

### ADJUSTING PIN

- AISI 304/304L casting (ASTM A351 CF8).

### LUGS

- Polycarbonate.

### NUTS AND BOLTS

- AISI 304 stainless steel. Rolled thread and zinc-based anti-galling coating.



JOIN



REPAIR



RESTRAIN



TAP

**MUELLER**

## PRODUCT PERFORMANCE (\*)

### WORKING TEMPERATURE

- 20° F up to +180° F

### WORKING PRESSURE

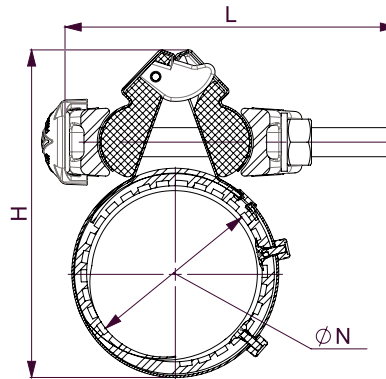
- Option 1: 150 psi
- Option 2: 200 psi

### RATED PRESSURE

- Option 1: 225 psi
- Option 2: 300 psi

\*Contact Mueller for details.

## PRODUCT TABLES



### HYMAX CLAMP LENGTH 6" (1.5" - 12")

HYMAX Part Number	ND (mm)	Overall Range (inch)	Bolts Qty. - Size (inch)	Bolts Length L (inch)	H (inch)	Option 1			Option 2			Approx. Weight (lbs)
						Working Pressure (psi)	Rated Pressure (psi)	Torque (ft-lb)	Working Pressure (psi)	Rated Pressure (psi)	Torque (ft-lb)	
<b>267-56-0047-10</b>	1.5	1.86 - 2.16	2 - M12	5.31	4.56	150	225	30	200	300	40	3.63
<b>267-56-0059-10</b>	2	2.35 - 2.65	2 - M12	5.31	5.31	150	225	30	200	300	40	4.05
<b>267-56-0072-10</b>	2.5	2.85 - 3.15	2 - M12	5.31	5.78	150	225	30	200	300	40	4.16
<b>271-56-0087-10W</b>	3	3.42 - 4.25	2 - M14	7	7	150	225	40	200	300	55	6.71
<b>271-56-0113-10W</b>	4	4.47 - 5.27	2 - M14	7	8	150	225	50	200	300	65	7.018
<b>271-56-0122-10W</b>		4.80 - 5.60	2 - M14	7	8.5	150	225	50	200	300	65	7.172
<b>271-56-0139-10W</b>	6	5.50 - 6.30	2 - M14	7	9.2	150	225	60	200	300	80	7.414
<b>271-56-0167-10W</b>		6.60 - 7.40	2 - M14	7	10.3	150	225	60	200	300	80	7.81
<b>271-56-0174-10W</b>		6.84 - 7.64	2 - M14	7	10.6	150	225	60	200	300	80	7.942
<b>271-56-0198-10W</b>	8	7.80 - 8.60	2 - M14	7	11.5	150	225	70	200	300	90	8.756
<b>271-56-0218-10W</b>		8.60 - 9.40	2 - M14	7	12.4	150	225	70	200	300	90	9.086
<b>271-56-0228-10W</b>		9.00 - 9.80	2 - M14	7	12.8	150	225	70	200	300	90	9.306
<b>271-56-0272-10W</b>	10	10.73 - 11.53	2 - M14	8.27	14.6	150	225	100	200	300	130	10.89
<b>271-56-0288-10W</b>		11.35 - 12.15	2 - M14	8.27	15.2	150	225	100	200	300	130	11.396
<b>271-56-0323-10W</b>	12	12.75 - 13.55	2 - M16	8.27	16.7	150	225	100	200	300	130	14.146
<b>271-56-0345-10W</b>		13.60 - 14.40	2 - M16	8.27	17.5	150	225	100	200	300	130	14.652

## HYMAX CLAMP LENGTH 9" (1.5" - 12")

HYMAX Part Number	ND (mm)	Overall Range (inch)	Bolts Qty. - Size (inch)	Bolts Length L (inch)	H (inch)	Option 1			Option 2			Approx. Weight (lbs)
						Working Pressure (psi)	Rated Pressure (psi)	Torque (ft-lb)	Working Pressure (psi)	Rated Pressure (psi)	Torque (ft-lb)	
<b>268-56-0047-10</b>	1.5	1.86 - 2.16	2 - M12	5.31	4.56	150	225	45	200	300	60	5.92
<b>268-56-0059-10</b>	2	2.35 - 2.65	2 - M12	5.31	5.31	150	225	45	200	300	60	6.57
<b>268-56-0072-10</b>	2.5	2.85 - 3.15	2 - M12	5.31	5.78	150	225	45	200	300	60	6.64
<b>272-56-0087-10W</b>	3	3.42 - 4.25	2 - M14	7	7	150	225	70	200	300	90	10.74
<b>272-56-0113-10W</b>	4	4.47 - 5.27	2 - M14	7	8	150	225	75	200	300	100	11.26
<b>272-56-0122-10W</b>		4.80 - 5.60	2 - M14	7	8.5	150	225	75	200	300	100	11.55
<b>272-56-0139-10W</b>	6	5.50 - 6.30	2 - M14	7	9.2	150	225	80	200	300	105	11.92
<b>272-56-0167-10W</b>		6.60 - 7.40	2 - M14	7	10.3	150	225	80	200	300	105	12.52
<b>272-56-0174-10W</b>		6.84 - 7.64	2 - M14	7	10.6	150	225	80	200	300	105	12.72
<b>272-56-0198-10W</b>	8	7.80 - 8.60	2 - M14	7	11.5	150	225	95	200	300	125	13.97
<b>272-56-0218-10W</b>		8.60 - 9.40	2 - M14	7	12.4	150	225	95	200	300	125	14.5
<b>272-56-0228-10W</b>		9.00 - 9.80	2 - M14	7	12.8	150	225	95	200	300	125	14.76
<b>272-56-0272-10W</b>	10	10.73 - 11.53	2 - M14	8.27	14.6	150	225	135	200	300	175	17.23
<b>272-56-0288-10W</b>		11.35 - 12.15	2 - M14	8.27	15.2	150	225	135	200	300	175	17.71
<b>272-56-0323-10W</b>	12	12.75 - 13.55	2 - M16	9.45	16.7	150	225	150	200	300	195	21.82
<b>272-56-0345-10W</b>		13.60 - 14.40	2 - M16	9.45	17.5	150	225	150	200	300	195	22.62

## HYMAX CLAMP LENGTH 12" (1.5" - 12")

HYMAX Part Number	ND (mm)	Overall Range (inch)	Bolts Qty. - Size (inch)	Bolts Length L (inch)	H (inch)	Option 1			Option 2			Approx. Weight (lbs)
						Working Pressure (psi)	Rated Pressure (psi)	Torque (ft-lb)	Working Pressure (psi)	Rated Pressure (psi)	Torque (ft-lb)	
<b>269-56-0047-10</b>	1.5	1.86 - 2.16	2 - M12	5.31	4.56	150	225	45	200	300	60	7.94
<b>269-56-0059-10</b>	2	2.35 - 2.65	2 - M12	5.31	5.31	150	225	45	200	300	60	8.75
<b>269-56-0072-10</b>	2.5	2.85 - 3.15	2 - M12	5.31	5.78	150	225	45	200	300	60	8.99
<b>273-56-0087-10W</b>	3	3.42 - 4.25	2 - M14	8.27	7	150	225	70	200	300	90	10.82
<b>273-56-0113-10W</b>	4	4.47 - 5.27	2 - M14	8.27	8	150	225	75	200	300	100	11.09
<b>273-56-0122-10W</b>		4.80 - 5.60	2 - M14	8.27	8.5	150	225	75	200	300	100	11.35
<b>273-56-0139-10W</b>	6	5.50 - 6.30	2 - M14	8.27	9.2	150	225	80	200	300	105	11.79
<b>273-56-0167-10W</b>		6.60 - 7.40	2 - M14	8.27	10.3	150	225	80	200	300	105	12.72
<b>273-56-0174-10W</b>		6.84 - 7.64	2 - M14	8.27	10.6	150	225	80	200	300	105	13.16
<b>273-56-0198-10W</b>	8	7.80 - 8.60	2 - M14	8.27	11.5	150	225	95	200	300	125	14.59
<b>273-56-0218-10W</b>		8.60 - 9.40	2 - M14	8.27	12.4	150	225	95	200	300	125	15.29
<b>273-56-0228-10W</b>		9.00 - 9.80	2 - M14	8.27	12.8	150	225	95	200	300	125	15.69
<b>273-56-0272-10W</b>	10	10.73 - 11.53	2 - M14	8.27	14.6	150	225	135	200	300	175	18.96
<b>273-56-0288-10W</b>		11.35 - 12.15	2 - M14	8.27	15.2	150	225	135	200	300	175	19.62
<b>273-56-0323-10W</b>	12	12.75 - 13.55	2 - M16	9.45	16.7	150	225	150	200	300	195	25.01
<b>273-56-0345-10W</b>		13.60 - 14.40	2 - M16	9.45	17.5	150	225	150	200	300	195	26.05

## HYMAX CLAMP LENGTH 12" (12" - 26")

HYMAX Part Number	ND (mm)	Overall Range (inch)	Bolts Qty. - Size (inch)	Torque (ft-lb)	Working Pressure (psi)
<b>223-56-0346-10</b>	12/14	13.64 - 15.24	8 - M16	105	150
<b>223-56-0361-10</b>	14	14.20 - 15.80	8 - M16	105	150
<b>223-56-0398-10</b>	14	15.68 - 17.28	8 - M16	105	150
<b>223-56-0415-10</b>	16	16.33 - 17.93	8 - M16	105	150
<b>223-56-0450-10</b>	16/18	17.72 - 19.32	8 - M16	105	150
<b>223-56-0469-10</b>	16/18	18.48 - 20.08	8 - M16	105	150
<b>223-56-0505-10</b>	18	19.88 - 21.48	8 - M16	105	150
<b>223-56-0521-10</b>	18/20	20.50 - 22.10	8 - M16	105	150
<b>223-56-0530-10</b>	18/20	20.87 - 22.47	8 - M16	105	150
<b>223-56-0559-10</b>	20	22.00 - 23.60	8 - M16	105	150
<b>223-56-0575-10</b>	20	22.65 - 24.25	8 - M16	105	150
<b>223-56-0592-10</b>	20/24	23.30 - 24.90	8 - M16	105	150
<b>223-56-0610-10</b>	20/24	24.00 - 25.60	8 - M16	105	150
<b>223-56-0627-10</b>	24	24.68 - 26.28	8 - M16	105	150
<b>223-56-0649-10</b>	24	25.54 - 27.14	8 - M16	105	150
<b>223-56-0663-10</b>	24/26	26.10 - 27.70	8 - M16	105	150
<b>223-56-0684-10</b>	24/26	26.93 - 28.53	8 - M16	105	150
<b>223-56-0706-10</b>	24/26	27.80 - 29.40	8 - M16	105	150

## HYMAX CLAMP LENGTH 15" (4" - 12")

HYMAX Part Number	ND (mm)	Overall Range (inch)	Bolts Qty. - Size (inch)	Bolts Length L (inch)	H (inch)	Option 1			Option 2			Approx. Weight (lbs)
						Working Pressure (psi)	Rated Pressure (psi)	Torque (ft-lb)	Working Pressure (psi)	Rated Pressure (psi)	Torque (ft-lb)	
<b>274-56-0113-10W</b>	4	4.47 - 5.27	3 - M14	8.27	8	150	225	75	200	300	100	18.83
<b>274-56-0122-10W</b>		4.80 - 5.60	3 - M14	8.27	8.5	150	225	75	200	300	100	19.16
<b>274-56-0139-10W</b>	6	5.50 - 6.30	3 - M14	8.27	9.2	150	225	80	200	300	105	19.78
<b>274-56-0167-10W</b>		6.60 - 7.40	3 - M14	8.27	10.3	150	225	80	200	300	105	20.85
<b>274-56-0174-10W</b>		6.84 - 7.64	3 - M14	8.27	10.6	150	225	80	200	300	105	21.14
<b>274-56-0198-10W</b>	8	7.80 - 8.60	3 - M14	8.27	11.5	150	225	95	200	300	125	23.21
<b>274-56-0218-10W</b>		8.60 - 9.40	3 - M14	8.27	12.4	150	225	95	200	300	125	24.07
<b>274-56-0228-10W</b>		9.00 - 9.80	3 - M14	8.27	12.8	150	225	95	200	300	125	24.6
<b>274-56-0272-10W</b>	10	10.73 - 11.53	3 - M14	8.27	14.6	150	225	135	200	300	175	28.66
<b>274-56-0288-10W</b>		11.35 - 12.15	3 - M14	8.27	15.2	150	225	135	200	300	175	29.5
<b>274-56-0323-10W</b>	12	12.75 - 13.55	3 - M16	9.45	16.7	150	225	150	200	300	195	36.38
<b>274-56-0345-10W</b>		13.60 - 14.40	3 - M16	9.45	17.5	150	225	150	200	300	195	37.66

## HYMAX CLAMP LENGTH 12" (12" - 26")

HYMAX Part Number	ND (mm)	Overall Range (inch)	Bolts Qty. - Size (inch)	Torque (ft-lb)	Working Pressure (psi)
<b>224-56-0346-10</b>	12/14	13.64 - 15.24	10 - M16	105	150
<b>224-56-0361-10</b>	14	14.20 - 15.80	10 - M16	105	150
<b>224-56-0398-10</b>	14	15.68 - 17.28	10 - M16	105	150
<b>224-56-0415-10</b>	16	16.33 - 17.93	10 - M16	105	150
<b>224-56-0450-10</b>	16/18	17.72 - 19.32	10 - M16	105	150
<b>224-56-0469-10</b>	16/18	18.48 - 20.08	10 - M16	105	150
<b>224-56-0505-10</b>	18	19.88 - 21.48	10 - M16	105	150
<b>224-56-0521-10</b>	18/20	20.50 - 22.10	10 - M16	105	150
<b>224-56-0530-10</b>	18/20	20.87 - 22.47	10 - M16	105	150
<b>224-56-0559-10</b>	20	22.00 - 23.60	10 - M16	105	150
<b>224-56-0575-10</b>	20	22.65 - 24.25	10 - M16	105	150
<b>224-56-0592-10</b>	20/24	23.30 - 24.90	10 - M16	105	150
<b>224-56-0610-10</b>	20/24	24.00 - 25.60	10 - M16	105	150
<b>224-56-0627-10</b>	24	24.68 - 26.28	10 - M16	105	150
<b>224-56-0649-10</b>	24	25.54 - 27.14	10 - M16	105	150
<b>224-56-0663-10</b>	24/26	26.10 - 27.70	10 - M16	105	150
<b>224-56-0684-10</b>	24/26	26.93 - 28.53	10 - M16	105	150
<b>224-56-0706-10</b>	24/26	27.80 - 29.40	10 - M16	105	150

## HYMAX CLAMP LENGTH 24" (4" - 12")

HYMAX Part Number	ND (mm)	Overall Range (inch)	Bolts Qty. - Size (inch)	Bolts Length L (inch)	H (inch)	Option 1			Option 2			Approx. Weight (lbs)
						Working Pressure (psi)	Rated Pressure (psi)	Torque (ft-lb)	Working Pressure (psi)	Rated Pressure (psi)	Torque (ft-lb)	
<b>277-56-0113-10W</b>	4	4.47 - 5.27	4 - M14	8.27	8	150	225	75	200	300	100	27.71
<b>277-56-0122-10W</b>		4.80 - 5.60	4 - M14	8.27	8.5	150	225	75	200	300	100	28.26
<b>277-56-0139-10W</b>	6	5.50 - 6.30	4 - M14	8.27	9.2	150	225	80	200	300	105	29.25
<b>277-56-0167-10W</b>		6.60 - 7.40	4 - M14	8.27	10.3	150	225	80	200	300	105	30.97
<b>277-56-0174-10W</b>		6.84 - 7.64	4 - M14	8.27	10.6	150	225	80	200	300	105	31.39
<b>277-56-0198-10W</b>	8	7.80 - 8.60	4 - M14	8.27	11.5	150	225	95	200	300	125	34.67
<b>277-56-0218-10W</b>		8.60 - 9.40	4 - M14	8.27	12.4	150	225	95	200	300	125	36.04
<b>277-56-0228-10W</b>		9.00 - 9.80	4 - M14	8.27	12.8	150	225	95	200	300	125	36.91
<b>277-56-0272-10W</b>	10	10.73 - 11.53	4 - M14	8.27	14.6	150	225	135	200	300	175	44.02
<b>277-56-0288-10W</b>		11.35 - 12.15	4 - M14	8.27	15.2	150	225	135	200	300	175	45.32
<b>277-56-0323-10W</b>	12	12.75 - 13.55	4 - M16	9.45	16.7	150	225	150	200	300	195	54.76
<b>277-56-0345-10W</b>		13.60 - 14.40	4 - M16	9.45	17.5	150	225	150	200	300	195	56.79

## HYMAX CLAMP LENGTH 24" (12" - 26")

HYMAX Part Number	ND (mm)	Overall Range (inch)	Bolts Qty. - Size (inch)	Torque (ft-lb)	Working Pressure (psi)
<b>227-56-0346-10</b>	12/14	13.64 - 15.24	16 - M16	105	150
<b>227-56-0361-10</b>	14	14.20 - 15.80	16 - M16	105	150
<b>227-56-0398-10</b>	14	15.68 - 17.28	16 - M16	105	150
<b>227-56-0415-10</b>	16	16.33 - 17.93	16 - M16	105	150
<b>227-56-0450-10</b>	16/18	17.72 - 19.32	16 - M16	105	150
<b>227-56-0469-10</b>	16/18	18.48 - 20.08	16 - M16	105	150
<b>227-56-0505-10</b>	18	19.88 - 21.48	16 - M16	105	150
<b>227-56-0521-10</b>	18/20	20.50 - 22.10	16 - M16	105	150
<b>227-56-0530-10</b>	18/20	20.87 - 22.47	16 - M16	105	150
<b>227-56-0559-10</b>	20	22.00 - 23.60	16 - M16	105	150
<b>227-56-0575-10</b>	20	22.65 - 24.25	16 - M16	105	150
<b>227-56-0592-10</b>	20/24	23.30 - 24.90	16 - M16	105	150
<b>227-56-0610-10</b>	20/24	24.00 - 25.60	16 - M16	105	150
<b>227-56-0627-10</b>	24	24.68 - 26.28	16 - M16	105	150
<b>227-56-0649-10</b>	24	25.54 - 27.14	16 - M16	105	150
<b>227-56-0663-10</b>	24/26	26.10 - 27.70	16 - M16	105	150
<b>227-56-0684-10</b>	24/26	26.93 - 28.53	16 - M16	105	150
<b>227-56-0706-10</b>	24/26	27.80 - 29.40	16 - M16	105	150

To learn more, visit [HymaxUSA.com](http://HymaxUSA.com).

Mueller refers to one or more of Mueller Water Products, Inc., a Delaware corporation ("MWP"), and its subsidiaries. MWP and each of its subsidiaries are legally separate and independent entities when providing products and services. MWP does not provide products or services to third parties. MWP and each of its subsidiaries are liable only for their own acts and omissions and not those of each other. MWP brands include Mueller®, Echologics®, Hydro Gate®, Hydro-Guard®, HYMAX®, Krausz®, Jones®, MiNet®, Milliken®, Pratt®, Pratt Industrial®, Singer®, and U.S. Pipe Valve & Hydrant. Please see [muellerwp.com/brands](http://muellerwp.com/brands) to learn more.

© 2021 Mueller Co., LLC. All Rights Reserved. The trademarks, logos and service marks displayed in this document are the property of Mueller Co., LLC, its affiliates or other third parties. Products above marked with a section symbol (§) are subject to patents or patent applications. For details, visit [www.mwppat.com](http://www.mwppat.com). These products are intended for use in potable water applications. Please contact your Mueller Sales or Customer Service Representative concerning any other application(s).

