

Pipe Hangers & Supports

www.anvilintl.com



ANVIL[®]
INTERNATIONAL
Building Connections That Last

FEBRUARY 2018

For the most current product/pricing information on Anvil products, please visit our website at www.anvilintl.com

BUILDING CONNECTIONS THAT LAST



For over 160 years, Anvil has worked diligently to build a strong, vibrant tradition of making connections — pipe to pipe and people to people.

We pride ourselves in providing the finest-quality pipe products and services with integrity and dedication to superior customer service at all levels.

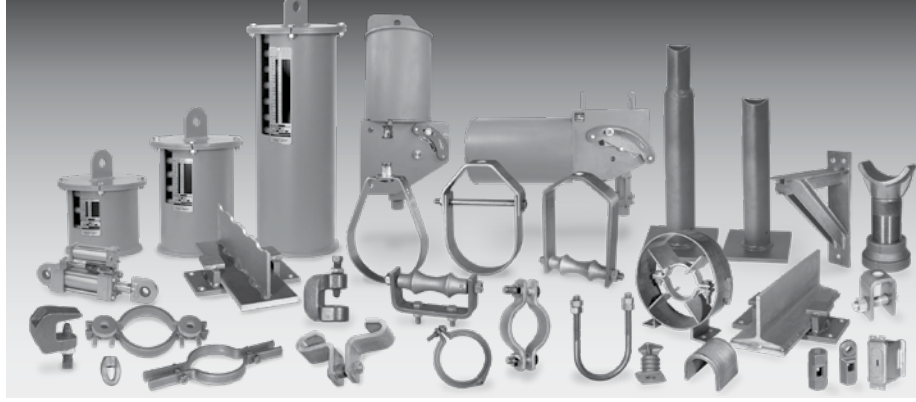
We provide expertise and product solutions for a wide range of applications, from plumbing, mechanical, HVAC, industrial and fire protection to mining, oil and gas. Our comprehensive line of products includes: grooved pipe couplings, grooved and plain-end fittings, valves, cast and malleable iron fittings, forged steel fittings, steel pipe nipples and couplings, pipe hangers and supports, channel and strut fittings, mining and oil field fittings, along with much more.

As an additional benefit to our customers, Anvil offers a complete and comprehensive Design Services Analysis for mechanical equipment rooms, to help you determine the most effective and cost-efficient piping solutions.

Anvil is a proud member of the United States Green Building Council (USGBC). Go to the Anvil website to obtain manufacturer recycled certificates and other Green information.

At Anvil, we believe that responsive and accessible customer support is what makes the difference between simply delivering products — and delivering solutions.

Pipe Hangers and Supports



Manufacturing Excellence

Anvil Pipe Hangers and Supports are manufactured in three primary U.S. locations: North Kingstown, Rhode Island; Henderson, Tennessee and Columbia, Pennsylvania, each with its own unique capabilities.

At 150,000 square feet, our Pipe Support design and fabrication facility in North Kingstown, Rhode Island is the industry leader in the Engineered Hanger Market for experience and in house manufacturing capability. Our equipment can accommodate any project since we have the capability to machine, saw and flame cut up to 3" thick carbon and alloy steel and plasma cut stainless steel.

We thread rod through 4" in diameter and we hot form small to large diameter clamps. Our facility also has complete in house blasting and painting capability and we perform complete in house Non-Destructive Examination including Liquid Penetrant, Ultrasonic and Magnetic Particle examination. This expertise is supported by our total quality programs including our ASME "NPT" Nuclear Certificate of Authorization, "NS" Certificate of Authorization and, ISO 9001.

Our manufacturing facility in Henderson, Tennessee has over 175,000 square feet of manufacturing capability dedicated to producing a complete line of commercial, light industrial and industrial Pipe Hangers and Supports. These include clamps, braces, inserts, rods and attachments, slides and guides to exacting industry standards and certified to ISO 9001 quality. The products manufactured in Henderson are designed for use in a wide variety of rigid Pipe Hanger or Support applications, in markets including fire protection, electrical, water and waste water treatment, petrochemical, seismic, industrial and commercial. Special fabrication is available from our Henderson facility as well.

At our Columbia, Pennsylvania Foundry, where we manufacture malleable fittings, cast iron fittings and our Gruvlok® products, we also manufacture our malleable and ductile iron Hanger Products such as beam clamps, numerous types of pipe clamps, concrete inserts, ceiling flanges and different types of rod attachments. With over 600,000 square feet of manufacturing floor space under roof, our foundry has an annual pouring capacity of 100,000 tons. Columbia is ISO 9001 certified and is a quality manufacturer of malleable, ductile and cast iron products. In addition to these three facilities Anvil also has Hanger fabrication facilities in Houston, Texas to service the Gulf Coast Engineered Hanger requirements.

Customer Service

With four key stocking locations throughout North America, you can count on getting all of the product you need - when you need it. When you have installation questions our solid customer service personnel are there to answer all of your questions, backed by our designers or engineers we are there for you - on site if needed.

Custom Engineering Options

In addition to its full range of high-quality hangers, Anvil offers a number of custom options to meet any special project requirements you may have.

Engineered Hangers Product Line

- Variable Springs
- Constant Supports
- Hydraulic Snubbers
- Vibration Sway Braces
- Sway Struts

We also provide:

- Special Fabrication/
Miscellaneous Structural/
Steel Fabrication
- Special Design Products Per
Customer Specifications
- Domestic Manufactured
Product Line

Design Services

Either on or off-site, Anvil Design Services helps you maximize the efficiency of your pipe support systems.

These services include:

- Pipe Hanger Design &
Engineering
- Computer-Aided Drafting
- System Analysis
- Pipe Stress Analysis
- Product Qualification Testing
(environmental static and
cycling loads, flow and leak)
- Field Services
- Supervision of Client Design
Personnel
- Non-destructive Examination

TABLE OF CONTENTS

GENERAL NOTES

Standard Materials.....	17
Standard Galvanizing Practice.....	18 - 19

PIPE ATTACHMENTS

Clevis Hangers and Shields

Fig. 65 (Afcon Fig. 372) Light Duty Adjustable Clevis.....	20
Fig. CT-65 Light Duty Adjustable Clevis.....	21
Fig. 67 Pipe or Conduit Hanger.....	22
Fig. 67F Copper Tube Felt Lined Hanger.....	23
Fig. 250 MJ Hanger.....	24
Fig. 260 (Afcon Fig. 371) Adjustable Clevis Hanger.....	25
Fig. 260SS Adjustable Clevis Hanger.....	26
Fig. 260ISS Clevis Hanger with Insulation Saddle System.....	27 - 29
Fig. 300 Adjustable Clevis for Insulated Lines.....	30
Fig. 590 Adjustable Clevis for Ductile or Cast Iron Pipe.....	31
Fig. 590SS Adjustable Clevis for Ductile or Cast Iron Pipe.....	32
Fig. 167 Insulated Protection Shield.....	33
Fig. 168 Rib-Lok Shield.....	34

Ring Hangers

Fig. 69 (Afcon Fig. 300) Adjustable Swivel Ring.....	35
Fig. 69F Adjustable Swivel Ring, Felt Lined.....	36
Fig. CT-69 Adjustable Swivel Ring.....	37
Fig. 70 (Afcon Fig. 303) Trapeze Pipe Hanger.....	38
Fig. 104 Adjustable Swivel Ring, Split Ring Type.....	39
Fig. 108 Split Pipe Ring.....	40
Fig. 138R Extension Split Pipe Clamp.....	41
Fig. CT-138R Extension Split Tubing Clamp.....	42

Pipe Clamps

Fig. 100 Extended Pipe Clamp.....	43
Fig. 103 Offset Pipe Clamp.....	43
Fig. 212 (Afcon Fig. 415) Medium Pipe Clamp.....	44
Fig. 212FP Seismic Bracing Clamp.....	45
Fig. 216 (Afcon Fig. 420) Heavy Pipe Clamp.....	46
Fig. 224 Alloy Steel Pipe Clamp.....	47
Fig. 246 Heavy Duty Alloy Steel Pipe Clamp.....	48
Fig. 295 (Afcon Fig. 425) Double Bolt Pipe Clamp.....	49
Fig. 295A Alloy Double Bolt Pipe Clamp.....	50
Fig. 295H Heavy Duty Double Bolt Pipe Clamp.....	51

Riser Clamps

Fig. 40 Riser Clamp – Standard.....	52
Fig. 261 (Afcon Fig. 400) Extension Pipe or Riser Clamp.....	53
Fig. 261SS Extension Pipe or Riser Clamp.....	54
Fig. CT-121 Copper Tubing Riser Clamp.....	55

U-Bolts and Straps

Fig. 120 Light Weight U-Bolt.....	56
Fig. 137 Standard U-Bolt.....	57
Fig. 137C Plastic Coated U-Bolt.....	56
Fig. 137S Special U-Bolt.....	57
Fig. 137SS Stainless Steel U-Bolt.....	58
Fig. 126 One-Hole Clamp.....	59
Fig. 243 Pipe Strap – Square.....	59
Fig. 244 Pipe Strap – Round.....	60

Fig. 262 (Afcon Fig. 500) Strap Short.....	60
Fig. 266 Light Duty Two-Hole Pipe Strap.....	61

CPVC

Fig. 69 (Afcon Fig. 300) Adjustable Swivel Ring.....	35
Fig. 184 (Afcon Fig. 515) Double Offset Hanger and Restrainer.....	62
Fig. 185 (Afcon Fig. 513) One Hole Pipe Strap.....	63
Fig. 186 (Afcon Fig. 510) Two Hole Pipe Strap.....	64
Fig. 187 (Afcon Fig. 511) Two Hole 90° Side Mount Strap.....	65
Fig. 188 Two Hole Standoff Strap.....	66
Fig. 188R (Afcon Fig. 514) Two Hole Standoff and Restrainer.....	67 - 68

AWWA

Fig. 590 Adjustable Clevis for Ductile or Cast Iron Pipe.....	31
Fig. 590SS Adjustable Clevis for Ductile or Cast Iron Pipe.....	32
Fig. 594 Socket Clamp Washer for Fig. 595.....	69
Fig. 595 (Afcon Fig. 850) Socket Clamp for D.I. or C.I. Pipe.....	69
Fig. 599 Socket Clamp Washer for Fig. 600.....	70
Fig. 600 Socket Clamp for Ductile Iron or Cast Iron Pipe.....	70

STRUCTURAL ATTACHMENTS

Beam Clamps

Fig. 86 C-Clamp with Set Screw & Lock Nut.....	71
Fig. 88 C-Clamp with Set Screw only.....	71
Fig. 89 Retaining Clip.....	72
Fig. 89X Retaining Clip.....	72
Fig. 92 (Afcon Fig. 100) Universal C-Type Clamp Standard Throat.....	73
Fig. 93 (Afcon Fig. 105) Universal C-Type Clamp Wide Throat.....	74
Fig. 94 Wide Throat Top Beam C-Clamp.....	75
Fig. 95 C-Clamp with Locknut.....	76
Fig. 133 Standard Duty Beam Clamp.....	77
Fig. 134 Heavy Duty Beam Clamp.....	77
Fig. 14 Adjustable Side Beam Clamp.....	78
Fig. 217 Adjustable Side Beam Clamp.....	78
Fig. 218 Malleable Beam Clamp without Extension Piece.....	79
Fig. 226 (Afcon Fig. 142) Truss Bracket.....	80
Fig. 227 (Afcon Fig. 140) Top Beam Clamp.....	81
Fig. 228 Universal Forged Steel (UFS) Beam Clamp.....	82
Fig. 292 Universal Forged Steel (UFS) Beam Clamp, RH.....	83
Fig. 292L Universal Forged Steel (UFS) Beam Clamp, LH.....	83

Ceiling Plates and Flanges

Fig. 127 Plastic Ceiling Plate.....	84
Fig. 128R Rod Threaded Ceiling Flange.....	84
Fig. CT-128R Rod Threaded Ceiling Flange.....	85
Fig. 153 Pipe Hanger Flange.....	86
Fig. 395 Cast Iron Ceiling Plate.....	85
Fig. 610 (Afcon Fig. 610) Ceiling Plate.....	87

Wall Brackets

Fig. 194 (Afcon Fig. 770) Light Welded Steel Bracket.....	88
Fig. 195 Medium Welded Steel Bracket.....	89
Fig. 199 Heavy Welded Steel Bracket.....	90
Fig. 202 Iron Side Beam Bracket.....	91
Fig. 206 (Afcon Fig. 556/560/565) Steel Side Beam Bracket.....	92
Fig. 207 (Afcon Fig. 553/555) Threaded Steel Side Beam Bracket....	92
Fig. 550 (Afcon Fig. 550) Revolver Swivel.....	93 - 94
Fig. 551 (Afcon Fig. 551) Revolver Bracket.....	95 - 96

Welded Attachments

Fig. 54 Two Hole Welding Beam Lug	97
Fig. 55 Structural Welding Lug, Short	98
Fig. 55L Structural Welding Lug, Long	98
Fig. 60 (Afccon Fig. 962) Steel Washer Plate	99
Fig. 66 Welded Beam Attachment.....	100
Fig. 112 Brace Fitting – Complete.....	101
Fig. 113 Brace Fitting – Pipe End only	101

Concrete Inserts & Attachments

Fig. 152 Screw Concrete Insert.....	102
Fig. 281 Wedge Type Concrete Insert	103
Fig. 282 Universal Concrete Insert	104
Fig. 284 Metal Deck Hanger.....	105
Fig. 285 Light Weight Concrete Insert	106
Fig. 286 Iron Cross.....	107
Fig. 47 Concrete Single Lug Plate.....	108
Fig. 49 Concrete Clevis Plate.....	109
Fig. 52 Concrete Rod Attachment Plate	110

HANGER RODS & ACCESSORIES

Rod and Eye Rods

Fig. 140 (Afccon Fig. 660) Threaded Rod, Both Ends – RH	113
Fig. 142 (Afccon Fig. 920) Coach Screw Rod	111
Fig. 146 (Afccon Fig. 650) Continuous Threaded Rod.....	111
Fig. 148 Rod with Eye End	112
Fig. 248 (Afccon Fig. 680) Threaded Eye Rod, Not Welded – RH	113
Fig. 248L Threaded Eye Rod, Not Welded – LH.....	113
Fig. 248X Linked Eye Rods (Not Welded).....	114
Fig. 253 Threaded Rod, Both Ends – LH & RH.....	113
Fig. 278 (Afccon Fig. 681) Welded Eye Rod – RH	114
Fig. 278L Welded Eye Rod – LH	114
Fig. 278X Linked Eye Rods – Welded	114

Rod Couplings and Turnbuckles

Fig. 135 & Fig. 135i Rod Coupling, Straight with Sight Hole.....	115
Fig. 135E Rod Coupling, Straight without Sight Hole	115
Fig. 135R Rod Coupling, Reducing.....	115
Fig. 136 Rod Coupling, Straight.....	115
Fig. 136R Rod Coupling, Reducing.....	115
Fig. 114 Turnbuckle Adjuster.....	116
Fig. 230 Turnbuckle.....	117
Fig. 233 Turnbuckle	117

Swivel Attachments

Fig. 110R Socket, Threaded Rod	118
Fig. 157 Extension Piece	119
Fig. 290 Weldless Eye Nut – RH.....	119
Fig. 290L Weldless Eye Nut – LH.....	119
Fig. 299 Forged Steel Clevis.....	120

Hardware and Accessories

Fig. 291 Clevis Pin with Cotters.....	121
Machine Bolts & Hexagon Nuts.....	122

STANCHIONS & SUPPORTS

Fig. 62 Pipe Stanchion	123
Fig. 63 Pipe Stanchion	124
Fig. 191 Adjustable Pipe Saddle with U-Bolt	125

Fig. 192 Adjustable Pipe Saddle.....	125
Fig. 220 Standard Pipe Stays	126
Fig. 221 Double Pipe Stays.....	126
Fig. 223 Extended Pipe Stays.....	126
Fig. 258 Pipe Saddle Support	127
Fig. 259 Pipe Saddle Support with U-Bolt	128
Fig. 264 (Afccon Fig. 707) Adjustable Pipe Saddle Support.....	129
Fig. 265 (Afccon Fig. 708) Adjustable Pipe Saddle Support with U-Bolt.....	130

GUIDES & SLIDES

Fig. 212 Medium Pipe Clamp.....	131
Fig. 255 Pipe Alignment Guide	132 - 133
Fig. CT-255 Copper Tubing Alignment Guide	134 - 135
Fig. 256 Pipe Alignment Guide.....	136 - 137
PTFE Pipe Slide Assembly Overview.....	138 - 139
Fig. 257 Structural Tee Slide Assembly.....	138 - 141
Fig. 257A Structural Tee.....	138 - 141
Fig. 436 Fabricated Tee Slide Assembly	138 - 141
Fig. 436A Fabricated Tee.....	138 - 141
Fig. 439 Structural "H" Slide Assembly	142 - 143
Fig. 439A Structural "H"	142 - 143
Fig. 432 Special Clamp.....	144

PIPE ROLLS & SADDLES

Fig. 171 Single Pipe Roll	145
Fig. 175 Roller Chair	146
Fig. 177 Adjustable Pipe Roll Support.....	147
Fig. 178 Spring Cushion Hanger	148
Fig. 181 Adjustable Steel Yoke Pipe Roll	149
Fig. 271 Pipe Roll Stand.....	150
Fig. 274 Adjustable Pipe Roll Stand with Base Plate.....	151
Fig. 274P Cast Iron Base Plate only.....	151
Fig. 275 Adjustable Pipe Roll Stand without Base Plate	151
Fig. 277 Pipe Roll with Cast Iron Base Plate	152
Fig. 75LL Longitudinal & Lateral Roller.....	153
Fig. 76CP Non-Conductive Roller.....	153
Fig. 160 1" Pipe Covering Protection Saddle	154 - 157
Fig. 161 1.5" Pipe Covering Protection Saddle	154 - 157
Fig. 162 2" Pipe Covering Protection Saddle.....	154 - 157
Fig. 163 2.5" Pipe Covering Protection Saddle.....	154 - 157
Fig. 164 3" Pipe Covering Protection Saddle.....	154 - 157
Fig. 165 4" Pipe Covering Protection Saddle.....	154 - 157
Fig. 165A 4" Pipe Covering Protection Saddle, Alloy.....	154 - 157
Fig. 166A 5.5" Pipe Covering Protection Saddle, Alloy	154 - 157

TRAPEZE

Fig. 45 Channel Assembly	158
Fig. 46 Universal Trapeze Assembly	159
Fig. 50 Equal Leg Angle for Trapeze Assembly.....	160

ENGINEERED PIPE SUPPORTS

Spring Hangers

Fig. 82, B-268, 98, Triple & Quadruple Springs.....	162 - 163
Spring Hanger Size & Series Selection.....	164 - 165
Check List.....	166
Fig. B-268, Fig. C-268 Type A	167
Fig. B-268, Fig. C-268 Type B & C.....	168

TABLE OF CONTENTS

Fig. B-268, Fig. C-268 Type D & E.....	169
Fig. B-268, Fig. C-268 Type F.....	170
Fig. B-268, Fig. C-268 Type G.....	171
Fig. 82, Fig. C-82 Series Short Spring.....	172 - 173
Fig. 98, Fig. C-98 Series Double Spring.....	174 - 175
Triple Spring, Triple Spring-CR Series.....	176 - 177
Quadruple Spring, Quadruple Spring-CR Series.....	178 - 179

Constant Supports

Model R 80-V, C-80-V Vertical & 81-H, C-81-H Horizontal.....	180 - 183
Total Travel & Selection Chart.....	184 - 187
Fig. 80-V Type A.....	188
Fig. 80-V Type B.....	189
Fig. 80-V Type C.....	190
Fig. 80-V Type D.....	191
Fig. 80-V Type E.....	192
Fig. 80-V Type F.....	193
Fig. 80-V Type G.....	194
Fig. 80-V Type A, B & C Size 84-110.....	195
Fig. 81-H Type A.....	196
Fig. 81-H Type B.....	197
Fig. 81-H Type C.....	198
Fig. 81-H Type D.....	199
Fig. 81-H Type E.....	200
Fig. 81-H Type F Upthrust.....	201
Fig. 81-H Type A, B, C & E Size 84-110.....	202
Fig. 80-V and Fig. 81-H Weight Chart.....	203
Check List.....	204

Vibration Control & Sway Brace

Fig. 296, 301, C-296, C-301.....	205 - 206
Fig. 297, 298, 302, 303, C-297, C-298, C-302, C-303.....	207

Sway Strut Assembly

Fig. 211, C-211, 640, C-640 Sway Strut Assembly.....	208 - 209
Fig. 222, C-222 Mini-Sway Strut Assembly.....	210 - 211
Check List.....	212

Snubbers

Fig. 200, C-200, 201, C-201 Hydraulic Snubber.....	213 - 216
Fig. 312 Tapered Pin.....	217
Fig. 3306, 3307 Hydraulic Snubber.....	218 - 221
Snubber Fluid.....	222

Special Design Products

Fig. 38SD Half Clamp.....	223
Fig. 40SD Riser Clamp.....	223
Fig. 41SD Non-Standard Three Bolt Pipe Clamp.....	223
Fig. 42SD Non-Standard Two Bolt Pipe Clamp.....	224
Fig. 53SD Welding Lug for L.R. Elbow.....	224
Fig. 71SD Double Roll Horizontal Traveler.....	225
Fig. 72SD Dual Direction Horizontal Traveler.....	225
Fig. 75SD Flat Roller with Saddle.....	226
Fig. 76SD Fabricated Roller for Large Diameter Pipe.....	227
Fig. 170 Horizontal Traveler.....	228

ANVIL/AFCON SEISMIC SOLUTIONS

Seismic Braces

Fig. AF001 (Anvil Fig. 770 & Afcon Fig. 001/020) Q Brace Clamp..	230 - 231
Fig. AF035 (Afcon Fig. 035) Model K Brace Clamp.....	232 - 233
Fig. AF074 (Afcon Fig. 074) Brace Attachment Fitting.....	246 - 247
Fig. AF075 (Afcon Fig. 075) Sway Brace Swivel Attachment..	234 - 235
Fig. AF076 (Afcon Fig. 076) Sway Brace Swivel Attachment.....	236 - 237
Fig. AF077 (Afcon Fig. 077) Sway Brace Swivel Attachment ..	238 - 239
Fig. AF078 (Afcon Fig. 078) Brace Attachment Fitting.....	246 - 247
Fig. AF085 (Afcon Fig. 085) Joist Adapter.....	240 - 241
Fig. AF086 (Afcon Fig. 086) Adjustable Structural Brace Attachment.....	242 - 243
Fig. AF087 (Afcon Fig. 087) Structural Brace Attachment.....	244 - 245
Fig. AF411 (Afcon Fig. 411) Longitudinal Seismic Clamp.....	246 - 247
Fig. AF771 (Anvil Fig. 771) Sway Brace Swivel Attachment.....	248 - 249
Fig. AF772 (Anvil Fig. 772) Adjustable Steel Beam Attachment.....	250 - 252
Fig. AF775 (Anvil Fig. 775) Longitudinal & Lateral Seismic Clamp..	253 - 254
Fig. AF776 (Anvil Fig. 776) OSHPD Lateral Brace Clamp.....	255 - 256
Fig. AF778 (Anvil Fig. 778) Universal Structural Brace Attachment ..	257 - 258
Fig. AF779 (Anvil Fig. 779 & Afcon Fig. 080) Multi-Connector Adapter ..	259

Seismic Restraints

Fig. AF090 (Anvil Fig. 89X & Afcon Fig. 160) Restraining Strap.....	260
Fig. AF090R (Afcon Fig. 162) Retrofit Restraining Strap.....	261
Fig. AF310 (Afcon Fig. 310) Surge Restraint.....	262
Fig. AF773 (Anvil Fig. 773) Surge Restraint.....	263
Fig. AF777 (Anvil Fig. 777 & Afcon Fig. 615) Swivel Joint Connector ..	264

TECHNICAL DATA

Pipe Hanger Specifications.....	265 - 266
Master Format 3 Part Specification.....	267
Pipe Support Spacing.....	268 - 269
Steel Pipe Data.....	270 - 271
Copper Tube Data.....	271
Soil Pipe Data.....	272
AWWA Ductile Iron Pipe Data.....	272
PVC Plastic Pipe Data.....	273
Thermal Expansion of Pipe Material.....	274 - 275
Threaded Rod Data.....	276
Maximum Recommended Applied Torques.....	276
Beam Dimensions.....	277
Application Assembly Examples.....	278 - 285
Anvil Compliances, Listings and Approvals.....	286 - 291
Anvil Pipe Hanger & Support Services.....	292
Anvil Terms of Sale and Conditions.....	293

Index

Subject Index.....	294
Numerical Index.....	295 - 297















Anvil reserves the right to make specification changes without notice. While every effort has been made to assure the accuracy of information contained in this catalog at the time of publication, we cannot accept responsibility for inaccuracies resulting from undetected errors or omissions.

The acceptability of galvanized coatings at temperatures above 450°F is at the discretion of the end user.











Rod load ratings shown in this catalog are based upon MSS-SP-58 (2002 and later).

PICTORIAL TABLE OF CONTENTS

CLEVIS HANGERS AND SHIELDS












 <p>Fig. 65 (Afcon Fig. 372) Light Duty Adjustable Clevis Size Range: 1/2" thru 4" Page 20</p>	 <p>Fig. CT-65 Light Duty Adjustable Clevis Size Range: 1/2" thru 4" Page 21</p>	 <p>Fig. 67 Pipe or Conduit Hanger Size Range: 1/2" thru 6" Page 22</p>	 <p>Fig. 67F Copper Tube Felt Lined Hanger Size Range: 1/2" thru 6" Page 23</p>	 <p>Fig. 250 MJ Hanger Size Range: 2" thru 6" Page 24</p>	
  <p>Fig. 260 (Afcon Fig. 371) Adjustable Clevis Hanger Size Range: 1/2" thru 30" Page 25</p>	 <p>Fig. 260SS Adjustable Clevis Hanger Size Range: 1/2" thru 12" Page 26</p>	 <p>Fig. 260 ISS Clevis Hanger with Insulation Saddle System Size Range: 2" thru 16" Pages 27 - 29</p>	 <p>Fig. 300 Adjustable Clevis for Insulated Lines Size Range: 3/4" thru 12" Page 30</p>	 <p>Fig. 590 Adjustable Clevis for Ductile or Cast Iron Size Range: 3" thru 24" Page 31</p>	 <p>Fig. 590SS Adjustable Clevis for Ductile or C.I. Pipe Size Range: 4" thru 12" Page 32</p>
 <p>Fig. 167 Insulation Protection Shield Size Range: 1/2" thru 24" pipe with up to 2" thick insulation Page 33</p>			 <p>Fig. 168 Rib-Lok Shield Size Range: 1/2" thru 8" pipe or copper tube with up to 2" thick insulation Page 34</p>		

RING HANGERS

  <p>Fig. 69 (Afcon Fig. 300) Adjustable Swivel Ring Size Range: 1/2" thru 8" Page 35</p>	 <p>Fig. 69F Adjustable Swivel Ring Felt Lined Size Range: 1/2" thru 6" Page 36</p>	 <p>Fig. CT-69 Adjustable Swivel Ring Size Range: 1/2" thru 4" Page 37</p>	  <p>Fig. 70 (Afcon Fig. 303) Trapeze Pipe Hanger Size Range: 1/2" thru 4" trapeze pipe Page 38</p>
 <p>Fig. 104 Adjustable Swivel Ring, Split Ring Type Size Range: 3/4" thru 8" Page 39</p>	 <p>Fig. 108 Split Pipe Ring Size Range: 3/8" thru 8" Page 40</p>	 <p>Fig. 138R Extension Split Pipe Clamp Size Range: 3/8" thru 3" Page 41</p>	 <p>Fig. CT-138R Extension Split Tubing Clamp Size Range: 1/2" thru 2" Page 42</p>

PICTORIAL TABLE OF CONTENTS

PIPE CLAMPS



 <p>Fig. 100 Extended Pipe Clamp Size Range: 1/2" thru 8" Page 43</p>	 <p>Fig. 103 Offset Pipe Clamp Size Range: 3/4" thru 8" Page 43</p>	  <p>Fig. 212 (Afcon Fig. 415) Medium Pipe Clamp Size Range: 1/2" thru 30" Page 44</p>	 <p>Fig. 212FP Seismic Bracing Clamp Size Range: 2 1/2" thru 12" Page 45</p>	 <p>Fig. 216 (Afcon Fig. 420) Heavy Pipe Clamp Size Range: 3" thru 42" Page 46</p>
 <p>Fig. 224 Alloy Steel Pipe Clamp Size Range: 4" thru 16" Page 47</p>	 <p>Fig. 246 Heavy Duty Alloy Steel Pipe Clamp Size Range: 10" thru 24" Page 48</p>	 <p>Fig. 295 (Afcon Fig. 425) Double Bolt Pipe Clamp Size Range: 3/4" thru 36" Page 49</p>	 <p>Fig. 295A Alloy Double Bolt Pipe Clamp Size Range: 1 1/2" thru 24" Page 50</p>	 <p>Fig. 295H Heavy Duty Double Bolt Pipe Clamp Size Range: 6" thru 38" Page 51</p>

RISER CLAMPS








 <p>Fig. 40 Riser Clamp Standard Size Range: 2" thru 24" Page 52</p>	 <p>Fig. 261 (Afcon Fig. 400) Extension Pipe or Riser Clamp Size Range: 3/4" thru 24" Page 53</p>	 <p>Fig. 261SS Extension Pipe or Riser Clamp Size Range: 1/2" thru 8" Page 54</p>	 <p>Fig. CT-121 Copper Tubing Riser Clamp Size Range: 1/2" thru 4" Page 55</p>
--	---	--	--

PICTORIAL TABLE OF CONTENTS

U-BOLTS AND STRAPS

 <p>Fig. 120 Light Weight U-Bolt Size Range: 1/2" thru 10" Page 56</p>	 <p>Fig. 137 & 137S Standard U-Bolts Size Range: 1/2" thru 36" Page 57</p>	 <p>Fig. 137C Plastic Coated U-Bolt Size Range: 1/2" thru 8" Page 56</p>
 <p>Fig. 137SS Standard U-Bolt Size Range: 1/2" thru 12" Page 58</p>	 <p>Fig. 126 One-Hole Clamp Size Range: 3/8" thru 4" Page 59</p>	 <p>Fig. 243 Pipe Strap - Square Size Range: 1/2" thru 6" pipe Page 59</p>
 <p>Fig. 244 Pipe Strap - Round Size Range: 1/2" thru 6" pipe Page 60</p>	 <p>Fig. 262 (Afcon Fig. 500) Strap Short Size Range: 1/2" thru 4" Page 60</p>	 <p>Fig. 266 Light Duty Two Hole Pipe Strap Size Range: 3/8" thru 4" Page 61</p>

CPVC

 <p>Fig. 69 (Afcon Fig. 300) Adjustable Swivel Ring Size Range: 1/2" thru 8" Page 35</p>	 <p>Fig. 184 (Afcon Fig. 515) Double Offset Hanger & Restrainer Size Range: 3/4" thru 1" Page 62</p>	 <p>Fig. 185 (Afcon Fig. 513) One Hole Pipe Strap Size Range: 3/4" thru 2" Page 63</p>	
 <p>Fig. 186 (Afcon Fig. 510) Two Hole Pipe Strap Size Range: 3/4" thru 2" Page 64</p>	 <p>Fig. 187 (Afcon Fig. 511) Two Hole 90° Side Mount Strap Size Range: 3/4" thru 2" Page 65</p>	 <p>Fig. 188 Two Hole Standoff Strap Size Range: 3/4" thru 2" Page 66</p>	 <p>Fig. 188R (Afcon Fig. 514) Two Hole Standoff & Restrainer Size Range: 3/4" thru 2" Pages 67 - 68</p>

AWWA




 <p>Fig. 590 Adjustable Clevis for Ductile or Cast Iron Size Range: 3" thru 24" pipe Page 31</p>	 <p>Fig. 590SS Adjustable Clevis for Ductile or C.I. Pipe Size Range: 4" thru 12" Page 32</p>	 <p>Fig. 595 (Afcon Fig. 850) & 594 Socket Clamp for Ductile Iron or Cast Iron Pipe & Socket Clamp Washer Size Range: 4" thru 24" pipe Page 69</p>	 <p>Fig. 600 & 599 Socket Clamp for Ductile Iron or Cast Iron Pipe & Socket Clamp Washer Size Range: 3" thru 24" pipe Page 70</p>
--	---	---	---

Table of Contents

Pictorial TOC

General Notes

Clevis Hangers & Shields

Ring Hangers

Pipe Clamps

Riser Clamps

U-Bolts & Straps

CPVC

AWWA

Beam Clamps

Ceiling Plates & Flanges

Wall Brackets

Welded Attachments

Concrete Inserts & Attachments

Rod & Eye Rods


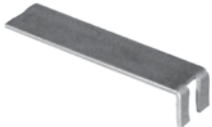














Rod Couplings & Turnbuckles

Swivel Attachments







Hardware & Accessories

PICTORIAL TABLE OF CONTENTS

BEAM CLAMPS








 <p>Fig. 86 & 88 C-Clamp with Set Screw and Lock Nut Size Range: 3/8" thru 3/4" Page 71</p>	 <p>Fig. 89 Retaining Clip Size Range: 3/8" thru 1/2" Page 72</p>	 <p>Fig. 89X Retaining Clip Size Range: 3/8" thru 3/4" Page 72</p>	 <p>Fig. 92 (Afcon Fig. 100) Universal C-Type Clamp Standard Throat Size Range: 3/8" and 1/2" Page 73</p>
 <p>Fig. 93 (Afcon Fig. 105) Universal C-Type Clamp Wide Throat Size Range: 3/8" and 1/2" Page 74</p>	 <p>Fig. 94 Wide Throat Top Beam C-Clamp Size Range: 3/8" and 3/4" Page 75</p>	 <p>Fig. 95 C-Clamp with Locknut Size Range: 3/8" and 1/2" Page 76</p>	 <p>Fig. 133 Standard Duty Beam Clamp Size Range: 4" thru 8" Page 77</p>
 <p>Fig. 134 Heavy Duty Beam Clamp Size Range: 4" thru 12" Page 77</p>	 <p>Fig. 14 Adjustable Side Beam Clamp Size Range: 3/8" thru 5/8" Page 78</p>	 <p>Fig. 217 Adjustable Side Beam Clamp Size Range: 3" thru 7 1/2" Page 78</p>	 <p>Fig. 218 Malleable Beam Clamp without Extension Piece Page 79</p>
 <p>Fig. 226 (Afcon Fig. 142) Truss Bracket Page 80</p>	 <p>Fig. 227 (Afcon Fig. 140) Top Beam Clamp Page 81</p>	 <p>Fig. 228 Universal Forged Steel Beam Clamp Page 82</p>	 <p>Fig. 292 & 292L Universal Forged Steel Beam Clamp with Weldless Eye Nut Page 83</p>

CEILING PLATES AND FLANGES

 <p>Fig. 127 Plastic Ceiling Plate Size Range: 3/8" and 1/2" Page 84</p>	 <p>Fig. 128R Rod Threaded, Ceiling Flange Size Range: 3/8" and 1/2" Page 84</p>	 <p>Fig. CT-128R Rod Threaded Ceiling Flange Size Range: 3/8" and 1/2" Page 85</p>	 <p>Fig. 395 Cast Iron Ceiling Plate Size Range: 1/2" thru 8" Page 85</p>	 <p>Fig. 153 Pipe Hanger Flange Size Range: 3/8" thru 3/4" Page 86</p>	 <p>Fig. 610 (Afcon Fig. 610) Ceiling Plate Size: 3/8" rod Page 87</p>
--	--	--	--	--	--

PICTORIAL TABLE OF CONTENTS

WALL BRACKETS

 <p>Fig. 194 (Afcon Fig. 770) Light Welded Steel Bracket Page 88</p>	 <p>Fig. 195 Medium Welded Steel Bracket Page 89</p>	 <p>Fig. 199 Heavy Welded Steel Bracket Page 90</p>	 <p>Fig. 202 Iron Side Beam Bracket Size Range: 3/8" thru 5/8" Page 91</p>
 <p>Fig. 206 (Afcon Fig. 556/560/565) Steel Side Beam Bracket Size Range: 3/8" thru 5/8" Page 92</p>	 <p>Fig. 207 (Afcon Fig. 553/555) Threaded Steel Side Beam Bracket Size Range: 3/8" and 1/2" Page 92</p>	 <p>Fig. 550 (Afcon Fig. 550) Revolver Swivel Size: 3/8" rod Pages 93 - 94</p>	 <p>Fig. 551 (Afcon Fig. 551) Revolver Bracket Size: 3/8" rod Pages 95 - 96</p>

WELDED ATTACHMENTS

 <p>Fig. 54 Two-Hole Welding Beam Lug Size Range: 1/2" thru 2 1/4" Page 97</p>	 <p>Fig. 55 & 55L Structural Welding Lug Size Range (55 Short): 1/2" thru 3 3/4" Size Range (55L Long): 1/2" thru 2" Page 98</p>	 <p>Fig. 60 (Afcon Fig. 962) Steel Washer Plate Size Range: 3/8" thru 3/4" Page 99</p>	 <p>Fig. 66 Welding Beam Attachment Size Range: 3/8" thru 3 1/2" Page 100</p>	 <p>Fig. 112 & 113 Brace Fitting Complete and Pipe End Only Size Range: 1" and 1 1/4" Page 101</p>
---	---	--	--	---

CONCRETE INSERTS & ATTACHMENTS







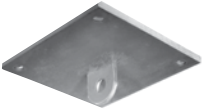


 <p>Fig. 152 Screw Concrete Insert Size Range: 3/8" thru 7/8" Page 102</p>	 <p>Fig. 281 Wedge Type Concrete Insert Size Range: 1/4" thru 7/8" Page 103</p>	 <p>Fig. 282 Universal Concrete Insert Size Range: 3/8" thru 7/8" Page 104</p>	 <p>Fig. 284 Metal Deck Hanger Size Range: 3/8" thru 3/4" Page 105</p>	 <p>Fig. 285 Light Weight Concrete Insert Size Range: 1/4" thru 5/8" Page 106</p>	 <p>Fig. 286 Iron Cross Size Range: 3/4" thru 1 1/2" Page 107</p>
 <p>Fig. 47 Concrete Single Lug Plate Size Range: 1/2" thru 2" Page 108</p>	 <p>Fig. 49 Concrete Clevis Plate Size Range: 3/8" thru 1 3/4" Page 109</p>	 <p>Fig. 52 Concrete Rod Attachment Plate Size Range: 3/8" thru 1 1/4" Page 110</p>			

Table of Contents

Pictorial TOC

General Notes

Clevis Hangers & Shields

Ring Hangers

Pipe Clamps

Riser Clamps

U-Bolts & Straps

CPVC

AWWA

Beam Clamps

Ceiling Plates & Flanges

Wall Brackets

Welded Attachments

Concrete Inserts & Attachments

Rod & Eye Rods










Rod Couplings & Turnbuckles

Swivel Attachments



Hardware & Accessories

PICTORIAL TABLE OF CONTENTS

RODS AND EYE RODS

 <p>Fig. 142 (Afcon Fig. 920) Coach Screw Rods Machine Threaded on Opposite End Size Range: $\frac{3}{8}$" and $\frac{1}{2}$" Page 111</p>	 <p>Fig. 146 (Afcon Fig. 650) Continuous Thread Size Range: $\frac{1}{4}$" thru $1\frac{1}{2}$" Page 111</p>	
 <p>Fig. 140 (Afcon Fig. 660) Machine Threaded Rods Threaded on Both Ends (Right Hand Threads) Size Range: $\frac{3}{8}$" thru 5" Page 113</p>	 <p>Fig. 253 Machine Threaded Rods Threaded on Both Ends (Right & Left Hand Threads) Size Range: $\frac{3}{8}$" thru 5" Page 113</p>	
 <p>Fig. 148 Rod with Eye End Size Range: $2\frac{3}{4}$" thru 5" Page 112</p>	 <p>Fig. 248 & 248L (Afcon Fig. 680) Threaded Eye Rod, Not Welded Size Range: $\frac{3}{8}$" thru $2\frac{1}{2}$" Page 113</p>	
 <p>Fig. 248X Linked Eye Rods (Not Welded) Size Range: $\frac{3}{8}$" thru $2\frac{1}{2}$" Page 114</p>	 <p>Fig. 278 & 278L (Afcon Fig. 681) Welded Eye Rod Size Range: $\frac{3}{8}$" thru $2\frac{1}{2}$" Page 114</p>	 <p>Fig. 278X Linked Eye Rods Welded Size Range: $\frac{3}{8}$" thru $2\frac{1}{2}$" Page 114</p>

ROD COUPLINGS AND TURNBUCKLES







 <p>Fig. 135, 135i, 135E & 135R Straight or Reducing Rod Coupling Size Range: $\frac{1}{4}$" thru 1" Page 115</p>	 <p>Fig. 136 & 136R Straight or Reducing Rod Coupling Size Range: $\frac{1}{4}$" thru 1" Page 115</p>	
 <p>Fig. 114 Turnbuckle Adjuster Size Range: $\frac{1}{4}$" thru $\frac{3}{4}$" Page 116</p>	 <p>Fig. 230 Turnbuckle Size Range: $\frac{3}{8}$" thru $2\frac{1}{2}$" Page 117</p>	 <p>Fig. 233 Turnbuckle Size Range: $1\frac{1}{4}$" thru 5" Page 117</p>

STANCHIONS AND SUPPORTS



 <p>Fig. 62 Type A, B, and C Pipe Stanchion Size Range: 2" thru 18" Page 123</p>	 <p>Fig. 63 Type A, B, C, P (Afcon Fig. 772) & T Pipe Stanchion Size Range: $2\frac{1}{2}$" thru 42" Page 124</p>	 <p>Fig. 191 Adjustable Pipe Saddle with U-Bolt Size Range: 2" thru 12" Page 125</p>
 <p>Fig. 192 Adjustable Pipe Saddle Size Range: 2" thru 12" Page 125</p>	 <p>Fig. 220 Standard Pipe Stays Size Range: $\frac{1}{2}$" C x $\frac{3}{8}$" IP thru 2" C Page 126</p>	 <p>Fig. 221 Double Pipe Stays Size Range: $\frac{1}{2}$" C x $\frac{3}{8}$" IP thru $\frac{3}{4}$" C x $\frac{1}{2}$" IP Page 126</p>
 <p>Fig. 223 Extended Pipe Stays Size Range: $\frac{1}{2}$" C x $\frac{3}{8}$" IP thru $1\frac{1}{4}$" C x 1" IP Page 126</p>	 <p>Fig. 258 Pipe Saddle Support Size Range: 4" thru 36" Page 127</p>	 <p>Fig. 259 Pipe Saddle Support with U-Bolt Size Range: 4" thru 36" Page 128</p>
 <p>Fig. 264 (Afcon Fig. 707) Adjustable Pipe Saddle Support Size Range: $2\frac{1}{2}$" thru 36" Page 129</p>	 <p>Fig. 265 (Afcon Fig. 708) Adjustable Pipe Saddle Support with U-Bolt Size Range: 4" thru 36" Page 130</p>	

PICTORIAL TABLE OF CONTENTS

SWIVEL ATTACHMENTS

  <p>Fig. 110R Socket, Threaded Rod Size Range: 1/4" thru 7/8" Page 118</p>	  <p>Fig. 157 Extension Piece Size Range: 3/8" thru 7/8" Page 119</p>	 <p>Fig. 290 & 290L Weldless Eye Nut Size Range: 3/8" thru 2 1/2" Page 119</p>	 <p>Fig. 299 Forged Steel Clevis Size Range: 3/8" thru 4" Page 120</p>
--	--	--	--

HARDWARE AND ACCESSORIES

 <p>Fig. 291 Clevis Pin with Cotters Size Range: 1/2" thru 4" Page 121</p>	 <p>Machine Bolts and Hex Nuts Page 122</p>
---	--

TRAPEZE

 <p>Fig. 45 Channel Assembly Page 158</p>	 <p>Fig. 46 Universal Trapeze Assembly Page 159</p>	 <p>Fig. 50 Equal Leg Angle for Trapeze Assembly Page 160</p>
---	---	---

GUIDES AND SLIDES






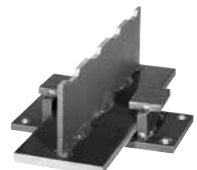


 <p>Fig. 212 Medium Pipe Clamp Size Range: 2" thru 30" Page 131</p>	 <p>Fig. 255 Pipe Alignment Guide Size Range: 1" thru 24" pipe and insulation thickness of 1" thru 4" Pages 132 - 133</p>	 <p>Fig. CT-255 Copper Tubing Alignment Guide Size Range: 1" thru 4" Pages 134 - 135</p>	 <p>Fig. 256 Pipe Alignment Guide Size Range: 1" thru 24" pipe and insulation thickness of 1" thru 4" Pages 136 - 137</p>
 <p>Fig. 257 & 257A Structural Tee Slide Assembly Size Range: All sizes within maximum load rating Pages 138 - 141</p>	 <p>Fig. 436 & 436A Fabricated Tee Slide Assembly Size Range: All sizes within maximum load rating Pages 138 - 141</p>	 <p>Fig. 439 & 439A Structural "H" Slide Assembly, Complete Size Range: 6" thru 36" Pages 142 - 143</p>	 <p>Fig. 432 Special Clamp Size Range: 2" thru 24" Page 144</p>

Table of Contents

Pictorial TOC

General Notes

Clevis Hangers & Shields

Ring Hangers

Pipe Clamps

Riser Clamps

U-Bolts & Straps

CPVC

ANWA

Beam Clamps

Ceiling Plates & Flanges

Wall Brackets

Welded Attachments

Concrete Inserts & Attachments

Rod & Eye Rods












Rod Couplings & Turnbuckles

Swivel Attachments




Hardware & Accessories

PICTORIAL TABLE OF CONTENTS



PIPE ROLLS AND SADDLES

 <p>Fig. 171 Single Pipe Roll Size Range: 1" thru 30" Page 145</p>	 <p>Fig. 175 Roller Chair Size Range: 2" thru 30" pipe Page 146</p>	 <p>Fig. 177 Adjustable Pipe Roll Support Size Range: 1" thru 30" Page 147</p>	 <p>Fig. 178 Spring Cushion Hanger Page 148</p>	 <p>Fig. 181 Adjustable Steel Yoke Pipe Roll Size Range: 2 1/2" thru 24" Page 149</p>	 <p>Fig. 271 Pipe Roll Stand Size Range: 2" thru 42" Page 150</p>
 <p>Fig. 274, 274P & 275 Adjustable Pipe Roll Stand Size Range: 2" thru 42" Page 151</p>	 <p>Fig. 277 Pipe Roll and Base Plate Size Range: 2" thru 24" Page 152</p>	 <p>Fig. 75LL Longitudinal & Lateral Roller Page 153</p>	 <p>Fig. 76CP Non-Conductive Roller Page 153</p>	 <p>Fig. 160 to 166A Pipe Covering Protection Saddle Size Range: 3/4" thru 36" Pages 154 - 157</p>	

SPRING HANGERS

 <p>Fig. 82 & C-82 Short Spring Pages 162 - 166, 172 - 173</p>	 <p>Fig. B-268 & C-268 Standard Spring Pages 162 - 171</p>	 <p>Fig. 98 & C-98 Double Spring Pages 162 - 166, 174 - 175</p>
<p>Triple Spring, Triple Spring-CR Pages 162 - 166, 176 - 177</p>		
<p>Quadruple Spring, Quadruple Spring-CR Pages 162 - 166, 178 - 179</p>		



CONSTANT SUPPORTS

 <p>Model R Fig. 80-V Vertical Constant Support Pages 180 - 195, 203 - 204</p>	 <p>Model R Fig. 81-H Horizontal Constant Support Pages 180 - 187, 196 - 204</p>
--	--

VIBRATION CONTROL AND SWAY BRACE

 <p>Fig. 296, 297, 298, 301, 302, 303 Sway Brace Size Range: Preloads from 50 (lbs.) to 1,800 (lbs.) and maximum forces from 200 (lbs.) to 7,200 (lbs.) Pages 205 - 207</p>

SWAY STRUT ASSEMBLY

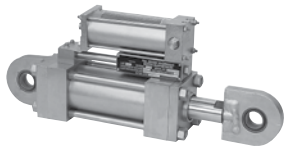



 <p>Fig. 211, C-211, 640, C-640 Sway Strut Assembly Pages 208 - 209</p>
 <p>Fig. 222 & C-222 Mini-Sway Strut Assembly Pages 210 - 211</p>

SPECIAL DESIGN PRODUCTS

<p>Fig. 38SD, 40SD, 41SD, 42SD, 53SD, 71SD, 72SD, 75SD, 76SD, 170 Pages 223 - 228</p>
--

PICTORIAL TABLE OF CONTENTS

SNUBBERS

 <p>Fig. 200, C-200, 201, C-201 Hydraulic Shock and Sway Suppressor (Snubber) Size Range: Nine standard sizes with load ratings from 3000 (lbs.) to 128,000 (lbs) Pages 213 - 216</p>	 <p>Fig. 312 Tapered Pin Size Range: 3/8" thru 2 1/2" Page 217</p>	 <p>Fig. 3306 & 3307 Hydraulic Shock and Sway Suppressor (Snubber) Size Range: Seven standard sizes with load ratings from 350 (lbs.) to 120,000 (lbs) Pages 218 - 221</p>	 <p>Snubber Fluid Page 222</p>
---	--	---	--

SEISMIC BRACES



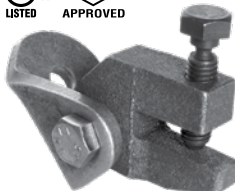

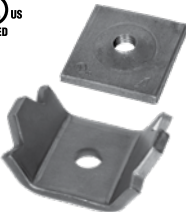

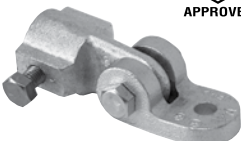



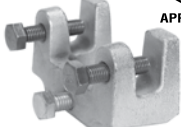
 <p>Fig. AF001 (Anvil Fig. 770 & Afcon Fig. 001/020) Q Brace Clamp Size Range: 1" thru 6" Service Pipe Pages 230 - 231</p>	 <p>Fig. AF035 (Afcon Fig. 035) Model K Brace Clamp Size Range: 1" thru 12" Service Pipe Pages 232 - 233</p>	 <p>Fig. AF075 (Afcon Fig. 075) Sway Brace Swivel Attachment Size Range: 1" thru 2" Sch. 40 Brace Pipe Pages 234 - 235</p>	 <p>Fig. AF076 (Afcon Fig. 076) Sway Brace Swivel Attachment Size Range: 1" thru 2" Sch. 40 Brace Pipe Pages 236 - 237</p>	 <p>Fig. AF077 (Afcon Fig. 077) Sway Brace Swivel Attachment Size Range: 1" thru 1 1/4" Sch. 40 Brace Pipe Pages 238 - 239</p>
 <p>Fig. AF085 (Afcon Fig. 085) Joist Adapter Size Range: 1/2" - 1 1/4" Joist Gap Pages 240 - 241</p>	 <p>Fig. AF086 (Afcon Fig. 086) Adjustable Structural Attachment Size Range: Flange Thickness up to 1/2" thick (UL), up to 3/8" thick (FM) Pages 242 - 243</p>	 <p>Fig. AF087 (Afcon Fig. 087) Structural Brace Attachment Size Range: Flange Thickness up to 1/2" thick (UL), up to 3/8" thick (FM) Pages 244 - 245</p>	 <p>Fig. AF411, AF074, AF078 (Afcon Fig. 411, 074, 078) Longitudinal Seismic Clamp & Brace Attachments Size Range: 1" thru 10" Service Pipe Pages 246 - 247</p>	 <p>Fig. AF771 (Anvil Fig. 771) Sway Brace Swivel Attachment Size Range: 1" and 1 1/4" Brace Pipe Pages 248 - 249</p>
 <p>Fig. AF772 (Anvil Fig. 772) Adjustable Steel Beam Attachment Size Range: 4" thru 15" Beam Widths Pages 250 - 252</p>	 <p>Fig. AF775 (Anvil Fig. 775) Longitudinal & Lateral Seismic Clamp Size Range: 2 1/2" thru 8" Service Pipe Pages 253 - 254</p>	 <p>Fig. AF776 (Anvil Fig. 776) Brace Clamp Size Range: 2 1/2" thru 8" Service Pipe Pages 255 - 256</p>	 <p>Fig. AF778 (Anvil Fig. 778) Universal Structural Brace Attachment Size Range: up to 3/4" Flange Thickness Pages 257 - 258</p>	 <p>Fig. AF779 (Anvil Fig. 779 & Afcon Fig. 080) Multi-Connector Adapter Size Range: up to 12" Service Pipe Page 259</p>

Table of Contents

Pictorial TOC

General Notes

Clevis Hangers & Shields

Ring Hangers

Pipe Clamps

Riser Clamps

U-Bolts & Straps

CPVC

AWWA

Beam Clamps

Ceiling Plates & Flanges

Wall Brackets

Welded Attachments

Concrete Inserts & Attachments

Rod & Eye Rods






Rod Couplings & Turnbuckles

Swivel Attachments

Hardware & Accessories

PICTORIAL TABLE OF CONTENTS

SEISMIC RESTRAINTS

 <p>Fig. AF090 (Anvil Fig. 89X & Afcon Fig. 160) Restraining Strap Size Range: $\frac{3}{8}$" thru $\frac{3}{4}$" Threaded Rod Page 260</p>	 <p>Fig. AF090R (Afcon Fig. 162) Retrofit Restraining Strap Size Range: $\frac{3}{8}$" and $\frac{1}{2}$" Threaded Rod Page 261</p>	 <p>Fig. AF310 (Afcon Fig. 310) Surge Restrainer Size Range: 1" thru 2" Fig. 69, Swivel Ring Hanger Page 262</p>	 <p>Fig. AF773 (Anvil Fig. 773) Surge Restrainer Size Range: $\frac{3}{4}$" thru 2" Fig. 69, Swivel Ring Hanger Page 263</p>	 <p>Fig. AF777 (Anvil Fig. 777 & Afcon Fig. 615) Swivel Attachment Size Range: $\frac{3}{8}$" and $\frac{1}{2}$" Rod Page 264</p>
--	--	---	--	--

Standard Materials

Anvil catalog items are made from the following materials.

Hanger Classification	Material	Material Specifications (ASTM)
Beam Clamps	Malleable Iron	A197
	Ductile Iron	A536-77 Grade 65-45-12
	Carbon Steel - Stamped	A36 or A1011, CS, Type A, B, or C
	Carbon Steel- Formed	A575 Grade M1020
	Forged Steel	A668 or A1030
Bolts, Nuts, Pins and U-Bolts	Carbon Steel - Rod	A36 or AISI 1006-1015
	Carbon Steel - Bolts	A307
	Carbon Steel- Nuts	A563
Brackets	Malleable Iron	A197
	Carbon Steel - Pre Galv.	A653
	Carbon Steel - Structural Shapes and Plate	A36
Ceiling Plates and Flanges	Plastic	N/A
	Malleable Iron	A197
Clevis Hangers	Carbon Steel - Stamped	A1011, CS, Type A, B or C
Clevis Hangers - Pipe or Conduit	Carbon Steel	A569 Grade 1008-1010 or A525 or A526
Clevis Hangers - Ductile Iron Pipe	Carbon Steel	A36, A569
Concrete Inserts and Attachments	Malleable Iron	A197
	Carbon Steel - Stamped	A1011
	Carbon Steel - Formed and Fabricated	A36 or A515 Grade 65-70
Copper Tubing Hangers	Malleable Iron	A197
	Carbon Steel	A1011, CS, Type A, B or C
Copper Tubing Hangers - Pipe Ring	Carbon Steel	A653
CPVC Hangers	Carbon Steel	A1011, CS, Type B
Hanger Rods	Carbon Steel	A36 or A1006-1015
Pipe Alingment Guides	Carbon Steel	A36 or A1011, CS, Type A, B, or C
Pipe Slides	Carbon Steel - Structural Shapes or Plates	A36
Pipe Rings	Malleable Iron	A197
	Carbon Steel	A653
Pipe Roll - (2) Rod, Yoke & Chair	Cast Iron	A1010 or A1015
Pipe Roll - Stands	Cast Iron	A48 Gr 20 or A126
Pipe Protection Saddles	Carbon Steel	A36 or A1011, CS, Type A, B, or C
	Alloy Steel	A387 Grade 22 Class 1 Annealed
Pipe Shields	Carbon Steel	A653
Pipe Supports - Stanchions	Carbon Steel	Tube: A513 Grade 1020 or 1026, Plate:A36
Pipe Supports - Saddles	Carbon Steel	A36
	Cast Iron	A48 Grade 20 or A126
Rod Attachments	Malleable Iron	A197
	Carbon Steel	A36
	Forged Steel	A668 or A1030
Rod Attachments - Rod Couplings	Carbon Steel	A307 or A563
Socket Clamps	Carbon Steel	A36
Socket Clamps- Washers	Cast Iron	A126
	Carbon Steel	A36
Stainless Steel Hangers and Supports	Refer to table note 1.	
Plate	Stainless Steel	A240 Type 304
Pipe	Stainless Steel	A312 Type 304
Rod and Pins	Stainless Steel	A276 Type 304
Bolts	Stainless Steel	18-8 Stainless
Nuts	Stainless Steel	18-8 Stainless
Steel Pipe Clamps- Offset and Extended	Carbon Steel	A36 or A570 Grade C/D or AISI 1020
	Carbon Steel - Stamped	A36 or A1011, CS, Type A, B, or C
Steel Pipe Clamps	Carbon Steel - Formed	A36 or A515 Grade 65-70
	Chrome Molybdenum Steel	A387 Grade 22
	Malleable Iron	A197
Straps	Carbon Steel - Formed	A36
	Carbon Steel - Stamped	A1011, CS, Type A, B, or C
Structural Attachments - Washer Plates	Carbon Steel	A36 or AISI 1020 or A515 Grade 65-70
Structural Attachments	Carbon Steel	A36 or A515 Grade 65-70
	Malleable / Ductile	A197, A536-77 Grade 65-45-12
Trapeze	Carbon Steel - Structural Shapes	A36
	Carbon Steel - HSS	A500 Grade B or C

- Notes: 1. Most Anvil hanger figure numbers are available in stainless steel on special order, primarily in type 304 and type 316. Items are limited.
 2. Custom fabricated products can be furnished - to specifications provided by customer.
 3. Standard material specifications are subject to change without notice.

GENERAL NOTES

Standard Galvanizing Practice

Anvil offers 3 basic forms for zinc coating on its hanger components

- 1) **Electro-Plated Zinc (Electro-galvanized)**
- 2) **Pre-Galvanized Zinc**
- 3) **Hot Dipped Galvanized (ASTM A123 or ASTM A153)**

Note: The corrosion resistance of zinc is based on its thickness, the environment and the coating process used.

Electro-Plated Zinc (ASTM B633)

This type of coating is recommended for use indoors in relatively dry areas. The steel is submerged in a bath of zinc salts, through the process of electrolysis, a coating of pure zinc adheres to the steel with a molecular bond. A maximum of .5 mills of zinc can be applied using this method. The threaded components and fasteners for Anvil hangers are furnished electro-plated.

Pre-Galvanized Zinc (ASTM A653)

This type of coating is suitable for extended exposure in dry or mildly corrosive atmospheres, but not generally recommended for use outdoors in industrial environments. Also known as "mill galvanized" or "hot-dipped mill galvanized", pre-galvanized zinc coatings are produced by rolling the steel coils or sheets through molten zinc at the steel mill. The material is then cut or slit to size. Coating thickness is .90 ounces per square foot of steel surface. Zinc near the uncoated edges or weld areas becomes a sacrificial anode which protects the bare areas. Anvil uses this type of material on our Fig. 167 shields and Fig. 69 swivel ring hangers.

Hot-Dip Galvanized (ASTM A123 or ASTM A153)

Recommended for prolonged outdoor exposure and will usually protect steel in most atmospheric environments. After fabrication, the part is immersed in a bath of molten zinc. A metallurgical bond is formed, resulting in a zinc coating that coats all surfaces including edges. Anvil's standard galvanizing practice for our Fig. 261 riser clamps and Fig. 212 medium pipe clamps is hot-dip galvanized.

Figure Number	Description	Standard Galvanize Finish
14	Adj. Side Beam Clamp	EG
40	Riser Clamp – Standard	Hot Dip with EG Fasteners
45	Channel Assembly	Hot Dip
46	Universal Trapeze Assembly	Hot Dip
47	Concrete Single Lug Plate	Hot Dip
49	Concrete Clevis Plate	Hot Dip with EG Fasteners
50	Equal Leg Angle for Trapeze Assembly	Hot Dip
52	Concrete Rod Attachment Plate	Hot Dip
54	Two Hole Welding Beam Lug	Hot Dip
55	Structural Welding Lug	Hot Dip
60	Steel Washer Plate	Hot Dip
62	Pipe Stanchion	Hot Dip
63	Pipe Stanchion	Hot Dip
65	Light Duty Adj. Clevis	EG
66	Welded Beam Attachment	Hot Dip
66 with BN	Welded Beam Attachment	Hot Dip with EG Fasteners
67	Pipe or Conduit Hanger	EG
69	Adj. Swivel Ring, Tapped per NFPA Standards	Strap is Pre-Galv. Material, Nut is EG (See Note 1)
76	Fabricated Roller for Large Dia. Pipe	Galvanizing not possible, Paint Only

Figure Number	Description	Standard Galvanize Finish
86	C-Clamp with Set Screw & Lock Nut	EG
88	C-Clamp with Set Screw	EG
89, 89X	Retaining Clip	EG
92	Universal C-Type Clamp (Std. Throat)	EG
93	Universal C-Type Clamp (Wide Throat)	EG
94	Wide Throat Beam C-Clamp	EG
95	C-Clamp with Lock Nut	EG
100	Extended Pipe Clamp	Hot Dip with EG Fasteners
103	Offset Pipe Clamp	Hot Dip with EG Fasteners
104	Adj. Swivel Ring, Split Ring Type	EG
120	Light Weight U-Bolt	EG
126	One-Hole Clamp	EG
128R	Rod Threaded Ceiling Flange	EG
133	Standard Duty Beam Clamp	Hot Dip with EG Fasteners
134	Heavy Duty Beam Clamp	Hot Dip with EG Fasteners
135E	Rod Coupling Straight less Sight Hole	EG
135R	Rod Coupling Reducing	EG
136	Rod Coupling Straight	EG
136R	Rod Coupling Reducing	EG
137	Standard U-Bolt	EG
137S	Special U-Bolt (non-standard)	Hot Dip

EG = Zinc Electro Plate ASTM B633 Hot Dip = ASTM A123 or A153 Pre-Galv. = ASTM A653
 Most EG items and fasteners can be hot dip galvanized except as indicated. Hot Dipped galvanized all thread rod is available.
 Note 1 indicates that hot dip fasteners are not available.

Standard Galvanizing Practice (cont.)

Figure Number	Description	Standard Galvanize Finish
138R	Ext. Split Pipe Clamp (Rod Threaded)	EG
140	Machine Threaded Rod (RH Threads)	EG
142	Coach Screw Rod	EG
146	Continuous Threaded Rod	EG
148	Rod with Eye End	EG
157	Extension Piece	EG
167	Insulated Protection Shield	Pre-Galv. Material
168	Rib-Lok Shield	Pre-Galv. Material
171	Single Pipe Roll	EG
175	Roller Chair	Chair-Hot Dip, All Other EG
177	Adj. Pipe Roll Support	EG
178	Spring Cushion Hanger	Can Galv. Retainer, Springs Paint Only
181	Adj. Steel Yoke Pipe Roll	Hot Dip Yoke, All Other EG
185	One Hole Pipe Strap	EG
186	Two Hole Pipe Strap	EG
187	Two Hole 90° Side Mount Strap	EG
188	Two Hole Stand Off Strap	EG
189	Straight Eye Socket	Pre-Galv.
190	Off-Set Eye Socket	Pre-Galv.
191	Adj. Pipe Saddle with U-Bolt	EG
192	Adj. Pipe Saddle	EG
194	Light Welded Steel Bracket	Hot Dip
195	Medium Welded Steel Bracket	Hot Dip
199	Heavy Welded Steel Bracket	Hot Dip
206	Steel Side Beam Bracket	EG
207	Threaded Steel Side Beam Bracket	EG
212	Medium Pipe Clamp	Hot Dip with EG Bolts & Nuts
212FP	Earthquake Bracing Clamp	Hot Dip with EG Bolts & Nuts
216	Heavy Pipe Clamp	Hot Dip with EG Bolts & Nuts
218	Malleable Beam Clamp without Ext. Piece	EG
228	Universal Forged Steel Beam Clamp	EG
230	Turnbuckle	EG
233	Turnbuckle	EG
248, 248L, 248X	Eye Rod Not Welded	EG
253	Machine Threaded Rod (Threaded Both Ends)	EG
255	Pipe Alignment Guide	Hot Dip with EG Bolts & Nuts
CT-255	Copper Tubing Alignment Guide	Housing: Hot Dip with EG Bolts & Nuts Spider Clamp: Copper Plated
256	Pipe Alignment Guide	Hot Dip with EG Bolts & Nuts
257	Structural Tee Slide	Hot Dip, Weld after Galv. & Cold Spray Touch-up
258	Pipe Saddle Support	EG
259	Pipe Saddle Support with U-Bolt	EG
260	Adj. Clevis Hanger	8" & Smaller: EG 10" & Larger: Hot Dip with EG Bolts & Nuts
260 ISS	Clevis Hanger with Insulation Saddle System	Reference Fig. 260

Figure Number	Description	Standard Galvanize Finish
261	Ext. Pipe or Riser Clamp	Hot Dip with EG Bolts & Nuts
262	Strap Short	EG
264	Adj. Pipe Saddle Support	EG (See Note 1) Nippel red. assembly cannot be hot dipped.
265	Adj. Pipe Saddle Support with U-Bolt	EG (See Note 1) Nippel red. assembly cannot be hot dipped.
271	Pipe Roll Stand	EG
274	Adj. Pipe Roll Stand with Base Plate	EG
274P	Pipe Roll Stand - Base Plate Only	EG
275	Adj. Pipe Roll Stand without Base Plate	EG
277	Pipe Roll and Base Plate	EG
278, 278L, 278X	Eye Rod Welded	EG
281	Wedge Type Concrete Insert	EG (See Note 1)
282	Universal Concrete Insert	EG (See Note 1)
285	Light Weight Concrete Insert	EG (See Note 1)
290, 290L	Weldless Eye Nut	EG
291	Clevis Pin with Cotters	EG
292, 292L	Universal Forged Steel Beam Clamp	EG
295	Double Bolt Pipe Clamp	Hot Dip with EG Bolts & Nuts
295A	Alloy Double Bolt Pipe Clamp	Alloy Material, Galv. is not Recommended
295H	Heavy Duty Double Bolt Pipe Clamp	Hot Dip with EG Bolts & Nuts
299	Forged Steel Clevis	EG
300	Adj. Clevis for Insulated Lines	8" & Smaller: EG 10" & Larger: Hot Dip with EG Bolts & Nuts
395	Cast Iron Ceiling Plate	EG
432	Special Clamp	Hot Dip with EG Bolts & Nuts
436	Fabricated Tee Slide Assembly	Hot Dip, Weld after Galv. & Cold Spray Touch-up
439	Structural "H" Slide Assembly	Hot Dip, Weld after Galv. & Cold Spray Touch-up
590	Adj. Clevis for Ductile or Cast Iron Pipe	Hot Dip with EG Bolts & Nuts
594	Socket Clamp Washer	EG
595	Socket Clamp for Ductile Iron or Cast Iron Pipe	Hot Dip with EG Bolts & Nuts
599	Socket Clamp Washer	EG
600	Socket Clamp for Ductile Iron or Cast Iron Pipe	Hot Dip with EG Bolts & Nuts
770	Q-Brace Clamp	EG (See Note 2)
771	Sway Brace Swivel Attachment	EG
772	Adj. Steel Beam Attachment	EG
773	Surge Restrainer	EG
775	Lateral/Longitudinal Brace Clamp	EG
776	Brace Clamp	EG
777	Swivel Joint Connector	EG
778	Bar Joist and Beam Attachment	EG
779	Multi-Connector Adapter	EG

EG = Zinc Electro Plate ASTM B633 Hot Dip = ASTM A123 or A153 Pre-Galv. = ASTM A653
 Most EG items and fasteners can be hot dip galvanized except as indicated. Hot Dipped galvanized all thread rod is available.
 Note 1 indicates that hot dip fasteners are not available.

CLEVIS HANGERS & SHIELDS

Fig. 65 (Formerly Afcon Fig. 372)

Light Duty Adjustable Clevis

Size Range: 1/2" through 4"

Material: Carbon steel

Finish: Plain or Zinc Plated (Hot-Dip Galvanized optional)

Service: Recommended for suspension of **stationary** pipe or conduit.

Maximum Temperature: Plain 650° F, Galvanized and Epoxy 450° F

Approvals: Complies with Federal Specification WW-H-171-E (Type 12).

Installation: Hanger load nut above the clevis must be tightened securely to assure proper hanger performance.

Adjustment: Vertical adjustment is provided, varying with the size of clevis. Tighten upper nut after adjustment.

Features: An economical attachment for light duty service.

Ordering: Specify pipe size, figure number, name and finish.

Metric nut available upon request.

Caution: When an oversize clevis is used, a pipe spacer or multispacer should be placed over clevis bolt to ensure that the lower U-strap will not move in on the bolt.

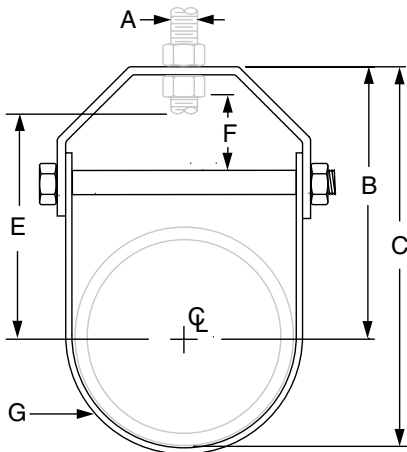


FIG. 65: DIMENSIONS (IN) • LOADS (LBS) • WEIGHT (LBS)

Pipe Size	Max Load	Weight	Rod Size A	B	C	Rod Take Out E	Adjustment F	G Width Lower
1/2	150	0.10	3/8	1 11/16	2 3/32	1 1/4	7/16	3/4
3/4	250	0.17		1 7/8	2 13/32	1 7/16	1/2	
1		0.18		2 5/32	2 13/16	1 11/16	5/8	
1 1/4		0.21		2 17/32	3 3/8	2 1/16	13/16	
1 1/2		0.24		2 13/16	3 13/16	2 3/8	15/16	
2		0.26		3 11/32	4 17/32	2 7/8	1 1/16	
2 1/2	350	0.50		3 27/32	5 9/32	3 1/4	1 5/16	
3		0.59		4 15/32	6 7/32	3 7/8	1 5/8	
3 1/2		0.62		4 31/32	6 31/32	4 3/8	1 7/8	
4		400		0.77	5 17/32	7 25/32	4 15/16	

Fig. CT-65

Light Duty Adjustable Clevis

Size Range: 1/2" through 4"

Material: Carbon steel

Finish: Copper plated

Service: Recommended for suspension of non-insulated, **stationary** copper tube.

Approvals: Complies with Federal Specification WW-H-171-E (Type 12).

Installation:

- (1) Adjustment may be made either before or after tubing is in place without temporary support of pipe.
- (2) Hanger rod and nuts may be locked into position after adjustment by use of the upper nut.

Features: Provides for adjustment up to 1 7/8".

Ordering: Specify nominal tube size, figure number, name and finish

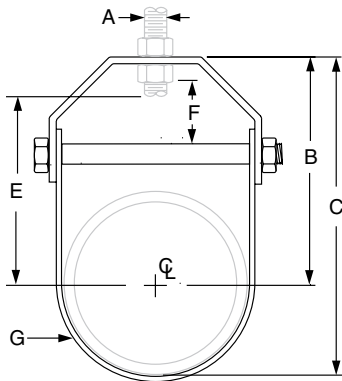


FIG. CT-65: DIMENSIONS (IN) • LOADS (LBS) • WEIGHT (LBS)

Tube Size	Max Load	Weight	Rod Size A	B	C	D	Rod Take Out - E	Adjustment F	G Width Lower
1/2	150	0.09	3/8	1 1/2	1 27/32	1 7/16	1 1/16	5/16	5/8
3/4		0.10		1 11/16	2 3/32	1 9/16	1 1/4	7/16	
1	250	0.17		1 7/8	2 13/32	1 5/8	1 7/16	1/2	
1 1/4		0.18		2 5/32	2 13/16	1 3/4	1 11/16	5/8	
1 1/2		0.21		2 17/32	3 3/8	1 15/16	2 1/16	13/16	
2		0.26		3 11/32	4 17/32	2 5/16	2 7/8	1 3/16	
2 1/2	350	0.48		3 27/32	5 9/32	2 3/4	3 1/4	1 5/16	
3		0.55		4 15/32	6 7/32	3	3 7/8	1 5/8	
4		0.60	4 31/32	6 31/32	3 1/4	4 3/8	1 7/8		

Note: 1) Reflects changes in rod diameter from previously published data per recent revisions in MSS-SP-58 & 69.

2) 3 1/2" tube size alternate - 3 1/2" Fig. 65 galvanized.

CLEVIS HANGERS & SHIELDS

Fig. 67

Pipe or Conduit Hanger

Size Range: 1/2" through 6"

Material: Carbon steel

Finish: Zinc Plated (Hot-Dip Galvanized optional)

Service: Can be suspended by hanger rod or attached to wall. "T" slot in hanger permits side bolt to be installed after installation and setting of pipe.

Approvals: Complies with Federal Specification A-A-1192A (Type 5), ANSI/MSS SP-69 and MSS SP-58 (Type 5).

Components: Strap and bolt with nut – assembled.

Ordering: Specify pipe size, figure number and name.

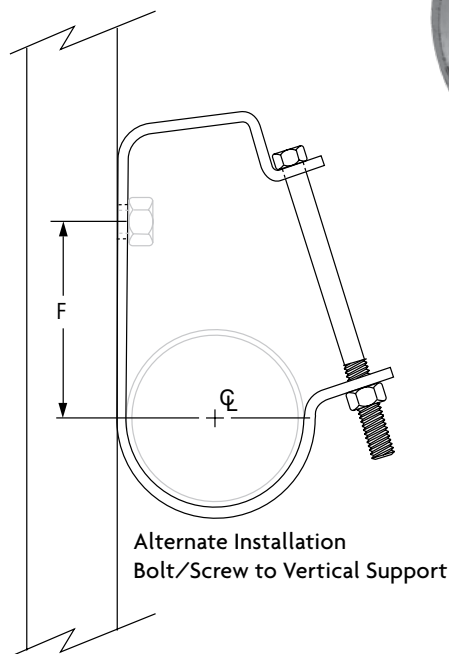
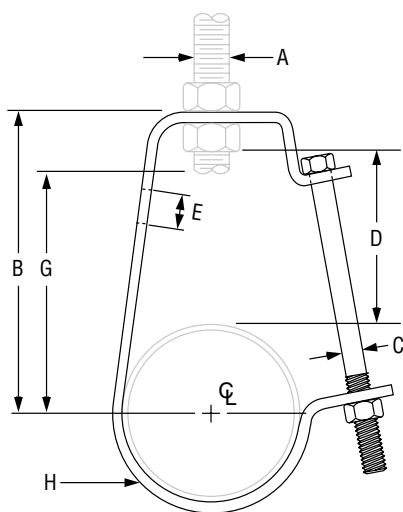


FIG. 67: DIMENSIONS (IN) • LOADS (LBS) • WEIGHT (LBS)

Pipe Size	Load Rating	Weight	Rod Size A	B	C	D	E	F	G	H Width
1/2	400	0.21	3/8	2 ⁵ / ₈	1/4	1 ³ / ₄	7/16	1 ¹ / ₂	1 ¹⁵ / ₁₆	1
3/4		0.22		2 ⁷ / ₈		1 ⁷ / ₈		1 ¹¹ / ₁₆	2 ¹ / ₈	
1		0.25		2 ¹⁵ / ₁₆		1 ¹⁵ / ₁₆		1 ¹³ / ₁₆	2 ⁵ / ₁₆	
1 ¹ / ₄		0.27		3 ¹ / ₄		2		2 ¹ / ₁₆	2 ⁵ / ₈	
1 ¹ / ₂		0.29		3 ⁹ / ₁₆		2 ³ / ₁₆		2 ⁷ / ₁₆	2 ⁷ / ₈	
2		0.31		3 ¹¹ / ₁₆		2 ¹ / ₈		2 ⁹ / ₁₆	3 ¹ / ₁₆	
2 ¹ / ₂	500	0.71	1/2	4 ⁷ / ₁₆	3/8	2 ⁷ / ₁₆	9/16	3 ³ / ₁₆	3 ⁵ / ₈	1 ¹ / ₄
3		0.78		4 ¹³ / ₁₆		2 ⁹ / ₁₆		3 ¹ / ₂	4 ¹ / ₁₆	
4	550	1.39	5/8	6 ¹ / ₈	3/8	3 ³ / ₁₆	9/16	4 ⁵ / ₈	5 ³ / ₁₆	1 ¹ / ₄
5		1.66		6 ³ / ₄		3 ¹ / ₄		5 ¹ / ₁₆	5 ³ / ₄	
6	600	2.26	3/4	7 ³ / ₄		3 ³ / ₁₆		5 ¹³ / ₁₆	6 ⁵ / ₈	

Fig. 67F

Copper Tube Felt Lined Hanger

Size Range: 1/2" through 6" copper tube

Material: Carbon steel and felt with adhesive backing

Finish: Zinc Plated (Hot-Dip Galvanized optional)

Service: Can be suspended by hanger rod or attached to wall. "T" slot in hanger permits side bolt to be installed after installation and setting of pipe.

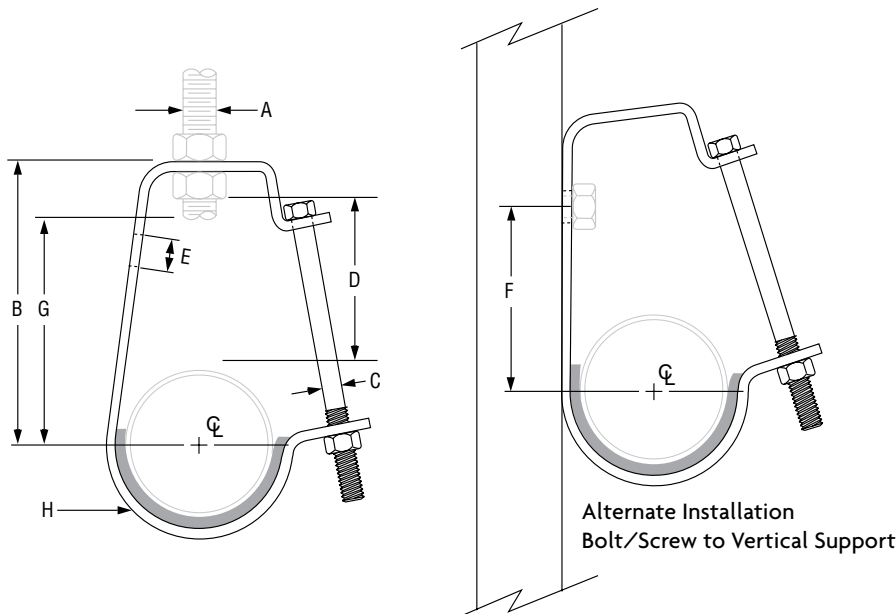
Maximum Temperature: 120°F

Approvals: Complies with Federal Specification A-A-1192A (Type 5), ANSI/MSS SP-69 and MSS SP-58 (Type 5).

Features: The layer of felt separates the copper tubing from the steel strap for electrolytic resistance and also minimizes noise and vibration.

Components: Strap and bolt with nut – assembled.

Ordering: Specify felt hanger size, figure number and name.



FELT LINED HANGER: IPS SIZING • DIMENSIONS (IN)	
Pipe Size	Felted Hanger Size
3/4	1 1/4
1	1 1/2
1 1/4	2
1 1/2	2
2	2 1/2
2 1/2	3
3	4
4	5
5	6

FIG. 67F: DIMENSIONS (IN) • LOADS (LBS) • WEIGHT (LBS)

Tube Size	Felt Hanger Size	Load Rating	Rod Size A	B	C	D	E	F	G	H Width	Weight
1/2	3/4	400	3/8	2 1/2	1/4	1 5/8	7/16	1 5/16	1 3/4	1	0.22
3/4	1			2 11/16		1 11/16		1 15/16	0.25		
1	1 1/4			2 13/16		1 13/16		2 1/8	0.27		
1 1/4	1 1/4			3 1/8		1 7/8		2 9/16	0.27		
1 1/2	1 1/2			3 7/16		2 1/16		2 3/4	0.29		
2	2	500	1/2	3 3/16	3/8	2	9/16	2 7/16	2 5/16	1 1/4	0.31
2 1/2	2 1/2			4 5/16		2 5/16		3 1/16	3 1/2		0.71
3	3			4 3/4		2 1/2		3 1/2	4 1/16		0.78
4	4			6 1/16		3 1/8		4 5/8	5 3/16		1.39
5	5			6 11/16		3 3/16		5 1/8	5 13/16		1.66
6	6	600	3/4	7 3/4	3 9/16	5 15/16	6 3/4	2.26			

Fig. 250

MJ Hanger

Size Range: 2" through 6"

Material: Carbon Steel

Finish: Plain or Zinc Plated

Service: Recommended for the suspension of no hub or service weight cast iron pipe.

Ordering: Specify size, figure number, name and finish.

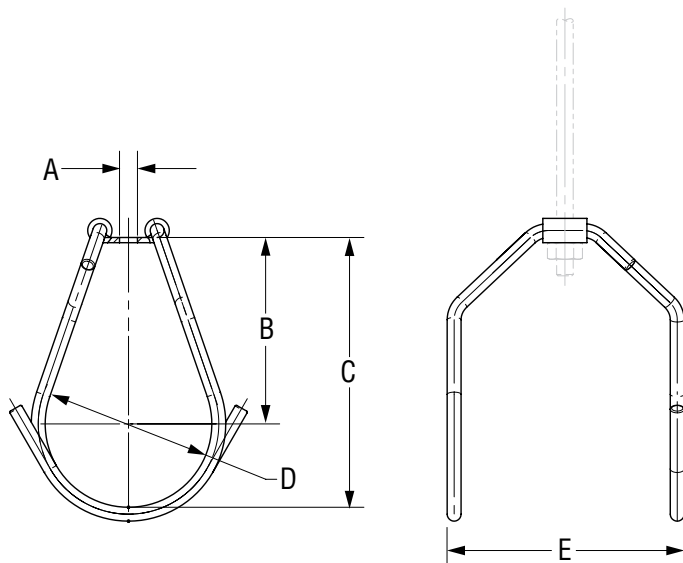


FIG. 250: DIMENSIONS (IN) • LOAD (LBS)

Size	øA	øD	B	C	E	Max Load
2	0.406	2.95	1.93	4.88	4.50	200
3	0.406	3.78	2.22	6.00	4.75	200
4	0.406	4.71	1.99	6.70	5.12	200
6	0.488	6.89	4.11	11.00	6.75	200

Available in zinc plated finish (Fig. 250Z).

Fig. 260 (Formerly Afcon Fig. 371)

Adjustable Clevis Hanger

Size Range: 1/2" through 30"

Material: Carbon steel

Finish: Plain, 8" & Smaller: Zinc Plated (Hot-Dip Galvanized optional), 10" & Larger: Hot-Dip Galvanized with Zinc Plated Bolts & Nuts, or Primed, also available in Plastic or Epoxy Coated.

Service: Recommended for the suspension of stationary pipe lines.

Maximum Temperature: Plain 650° F, Galvanized and Epoxy 450° F

Approvals: Complies with Federal Specification A-A-1192A (Type 1), WW-H-171-E (Type 1), ANSI/MSS SP-69 and MSS SP-58 (Type 1). FM Approved (Sizes 3/4" through 8"), UL and ULC Listed (Sizes 1/2" through 8")

Installation: Hanger load nut *above* clevis must be tightened securely to assure proper hanger performance.

Adjustment: Vertical adjustment without removing pipe may be made from 3/8" through 5 1/8", varying with the size of clevis. Tighten upper nut after adjustment.

Features:

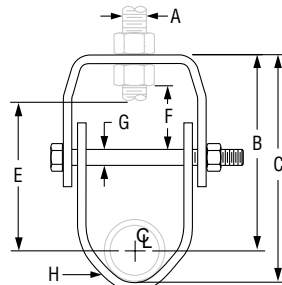
- Design has yoke on outside of lower U-strap so yoke cannot slide toward center of bolt, thus bending of bolt is minimized.
- Sizes 5" and up have rod and two nuts instead of bolt and nut; thread length on clevis rod is such that the thread locks the nuts in place, and threads are not in shear plane.

Ordering: Specify pipe size, figure number, name and finish.

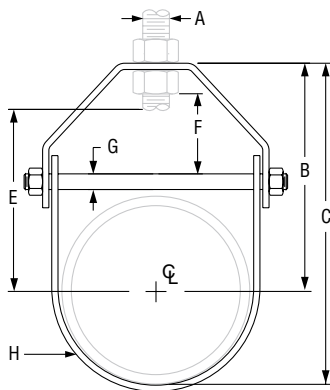
Notes:

- Punched forming holes may be present on certain sizes of this clevis hanger. These holes are solely for the purpose of manufacturing, and do not effect the structural integrity or load carrying capacities of these hangers.
- For insulated line options without shields, see Figures 260 ISS and Figure 300. For insulated line options with shields, see Figures 167 and 168. For ductile iron pipe sizes, see Figure 590.
- Fig. 260F (Felt lined) – available for use for suspension of copper (or other material) so as to prevent electrolysis between the dissimilar metals of the hanger and the pipe, tube or conduit.

Caution: When an oversize clevis is used, a pipe spacer or multispacer should be placed over clevis bolt to ensure that the lower U-strap will not move in on the bolt.



Pipe Size 1/2" to 3/4"



Pipe Sizes 1" and Larger

FIG. 260: DIMENSIONS (IN) • LOADS (LBS) • WEIGHTS (LBS)

Pipe Size	Max Load	Span Ft.	Weight	Rod Size A	B	C	Rod Take Out E	Adjust. F	G	H Width Lower
1/2	610	7*	0.34	3/8	2 3/16	2 1/16	1 1/2	5/8	1/4	1
3/4			0.34		2		1 5/16			
1	0.35		2 5/16		3	1 5/8				
1 1/4	0.40		2 7/8		3 1/4	1 11/16				
1 1/2	730	9*	0.45	1/2	2 13/16	3 3/16	2 1/8	7/8		
2		10*	0.50		3 5/16	4 1/2	2 5/8	1 1/8		
2 1/2	1,350	11*	0.65	5/8	4 1/16	5 1/2	3 3/16	1 5/16	3/8	
3		12*	0.85		4 3/4	6 1/2	4 1/16	1 5/8		
3 1/2		13*	1.10		5 1/16	7 1/16	4 3/16	1 13/16		
4	1,430	14*	1.51	3/4	5 9/16	7 13/16	4 1/2	1 11/16	1/4	
5		16*	1.70		6 9/16	8 15/16	5 1/2	1 15/16	3/8	
6	1,940	17*	3.10	7/8	6 15/16	10 1/4	5 3/4	1 11/16	1/2	
8		19*	4.75		8 3/8	12 11/16	7 3/16	2		
10	3,600	22*	8.60	1	9 7/8	15 1/4	8 7/16	2 1/8	5/8	
12		23*	11.20		11 9/16	17 15/16	10 7/8	2 13/16		
14	4,200	25*	12.50	1 1/4	12 9/16	19 9/16	10 11/16	2 11/16	3/4	
16		27	19.85		14	22	12	2 3/4		
18	4,800	28	22.25	1 1/2	15 15/16	24 15/16	13 15/16	3 13/16	1	
20		30	40.33		17 9/16	27 9/16	15 1/16	3 7/8		
24	4,800	32	49.83	1 3/4	19 3/16	31 13/16	17 7/16	3 7/8	1 1/4	
30**		33	70.18		24 3/16	39 3/16	21 7/16			5 1/8
										7/8*
										1 1/4

"Span" represents the maximum recommended distance between hangers on a continuous and straight run of horizontal standard weight steel pipe filled with water. In all cases, verify that chosen location of hangers does not subject hangers to a load greater than the maximum recommended load shown above. *Indicates that span represents the maximum span for water filled pipe as given in Table 1 of page 268.

* The 24" pipe size assembly includes a 1 1/4" SCH 40 pipe spacer over the 7/8" threaded rod.

** 30" pipe size: When assembled, the U-strap sits outside of the yoke.



- Table of Contents
- Pictorial TOC
- General Notes
- Clevis Hangers & Shields
- Ring Hangers
- Pipe Clamps
- Riser Clamps
- U-Bolts & Straps
- CPVC
- AWWA
- Beam Clamps
- Ceiling Plates & Flanges
- Wall Brackets
- Welded Attachments
- Concrete Inserts & Attachments
- Rod & Eye Rods
- Rod Couplings & Turnbuckles
- Swivel Attachments
- Hardware & Accessories

CLEVIS HANGERS & SHIELDS

Fig. 260SS

Adjustable Clevis Hanger

Size Range: 1/2" through 12"

Material: 304 stainless steel

Service: Recommended for the suspension of stationary pipe lines.

Maximum Temperature: 650° F

Approvals: Complies with Federal Specification A-A-1192A (Type 1), WW-H-171-E (Type 1), ANSI/MSS SP-69 and MSS SP-58 (Type 1).

Installation: Hanger load nut *above* clevis must be tightened securely to assure proper hanger performance.

Adjustment: Vertical adjustment without removing pipe may be made from 3/8" through 5 1/8", varying with the size of clevis. Tighten upper nut after adjustment.

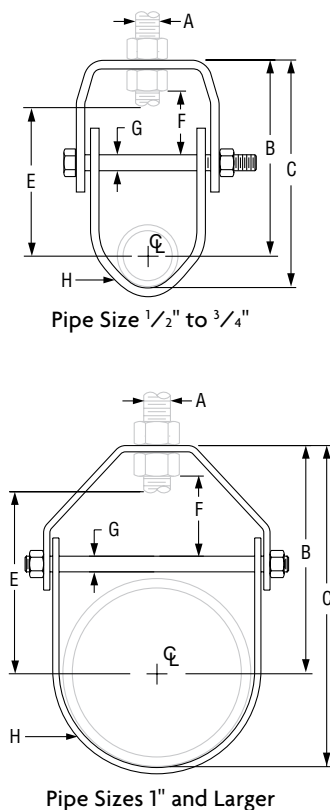
Features:

- Design has yoke on outside of lower U-strap so yoke cannot slide toward center of bolt, thus bending of bolt is minimized.
- Sizes 5" and up have rod and two nuts instead of bolt and nut; thread length on clevis rod is such that the thread locks the nuts in place, and threads are not in shear plane.

Ordering: Specify pipe size, figure number and name.

Notes: Punched forming holes may be present on certain sizes of this clevis hanger. These holes are solely for the purpose of manufacturing, and do not effect the structural integrity or load carrying capacities of these hangers. For insulated line options without shields, see Figures 260 ISS and Figure 300. For ductile iron pipe sizes, see Figure 590SS.

Caution: When an oversize clevis is used, a pipe spacer or multispaceer should be placed over clevis bolt to ensure that the lower U-strap will not move in on the bolt.



Pipe Size	Max Load		Weight	Rod Size A	B	C	Rod Take Out E	Adjust. F	G	H Width Lower	
	450° F	650° F									
1/2	520	470	0.34	3/8	2 3/16	2 1/16	1 1/2	5/8	1/4	1	
3/4			0.34		2		1 5/16				
1			0.35		2 5/16		3				1 5/8
1 1/4			0.40		2 3/8	3 1/4	1 11/16				
1 1/2			0.45		2 13/16	3 3/16	2 1/8				7/8
2			0.50		3 5/16	4 1/2	2 5/8				1 1/8
2 1/2	960	865	0.65	1/2	4 1/16	5 1/2	3 3/16	1 5/16	3/8		
3			0.85		4 3/4	6 1/2	4 1/16	1 5/8			
4	1,215	1,095	1.51	5/8	5 9/16	7 13/16	4 1/2	1 11/16	3/8	1 3/16	
5			1.70		6 9/16	8 15/16	5 1/2	1 15/16			
6			1,650		1,485	3.10	3/4	6 15/16		10 1/4	5 3/4
8	1,700	1,530	4.75	7/8	8 3/8	12 11/16	7 3/16	2	1/2	1 3/4	
10	1,750	1,575	8.60		9 7/8	15 1/4	8 7/16	2 1/8			
12	1,850	1,665	11.20	7/8	11 9/16	17 15/16	10 1/8	2 3/16	5/8	2	

"Span" represents the maximum recommended distance between hangers on a continuous and straight run of horizontal standard weight steel pipe filled with water. In all cases, verify that chosen location of hangers does not subject hangers to a load greater than the maximum recommended load shown above. *Indicates that span represents the maximum span for water filled pipe as given in Table 1 of page 268.

Fig. 260 ISS

Clevis Hanger with Insulation Saddle System

Size Range: 1/2" through 12" pipe and accommodates up to 2" of insulation.

Material: Carbon steel with high impact glass reinforced polypropylene saddle and carbon steel pipe spacer.

Finish: Plain, 8" & Smaller: Zinc Plated (Hot-Dip Galvanized optional), 10" & Larger: Hot-Dip Galvanized with Zinc Plated Bolts & Nuts, or Primed, also available in Plastic or Epoxy Coated.

Service: Recommended for the suspension of stationary insulated chilled or hot water pipe lines.

Maximum Temperature: 40° F to 200° F

Approvals: Dual Fire Ratings, UL E94 V, and ASTM E84 Class 1 25/60.

Installation: Hanger load nut above clevis must be tightened securely to assure proper performance. Position the pipe on the saddle. Notch insulation to fit around the saddle. Square cut adjoining insulation and butt the insulation ends to each other. Insulation joint is coated, caulked and taped following standard insulation practice used on flanges and valves.

Adjustment: Vertical adjustment without removing the hanger may be made 7/8" through 2 3/8" varying with the size of the clevis. Tighten all nuts after adjustment.

Features: V-Block design cradles pipe through out the entire erection process. Clevis bolt spacer included as standard keeps the clevis lower strap from collapsing.

Eliminates:

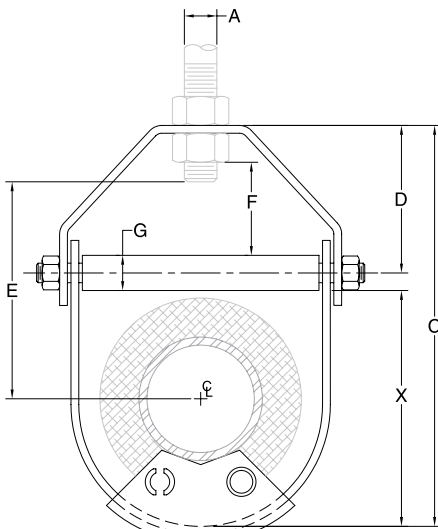
- Wood blocks and standard shields
- Costly calcium silicate inserts
- Re-leveling of piping at each individual hanger after insulation is completed.

Ordering: Specify size number, pipe size, insulation thickness, figure number name and finish.



FIG. 260 ISS SIZING TABLE						
Pipe Size	Insulation Thickness					
	1/2"	3/4"	1"	1 1/2"	2"	
(Size Number)						
1/2	2	2	3	—	—	
3/4	2	3	3	—	—	
1	2	3	3	—	—	
1 1/2	3	4	4	—	—	
2	4	4	5	—	—	
2 1/2	5	5	5	6	8	
3	5	5	5	6	8	
3 1/2	5	6	6	8	8	
4	6	6	8	8	8	
5	8	8	8	10	10	
6	10	10	10	10	10	
8	12	12	12	12	12	
10	14	14	14	14	16	
12	16	16	16	16	—	

FIG. 260 ISS SIZING TABLE						
Copper Tube Size	Insulation Thickness					
	1/2"	3/4"	1"	1 1/2"	2"	
(Size Number)						
3/8	2	2	3	—	—	
1/2	2	2	3	—	—	
5/8	2	2	3	—	—	
3/4	2	2	3	—	—	
1	2	3	3	—	—	
1 1/4	3	3	3	—	—	
1 1/2	3	3	4	—	—	
2	4	4	4	—	—	
2 1/2	4	5	5	6	—	
3	5	5	5	6	8	
3 1/2	5	5	6	8	8	
4	6	6	8	8	8	
5	8	8	8	8	10	
6	8	10	10	10	10	
8	10	10	12	12	12	



2" through 16"
Patent #7,281,689

FIG. 260 ISS: DIMENSIONS (IN) • LOADS (LBS) • WEIGHTS (LBS)								
260 ISS Size Number	*Max Load	Weight	Rod Size A	C	**Rod Take Out E	Adjust. F	G	X
2	550	0.73	3/8	4 1/2	2 5/8	7/8	1/4	2 3/8
3		1.32	1/2	6 1/2	4 1/16	1 7/16	3/8	3 5/8
4		1.83	5/8	7 13/16	4 1/2	1 1/2		4 1/2
5	2.44	8 15/16		5 1/2	1 3/4	5 11/16		
6	750	3.81	3/4	10 1/4	5 3/4	1 1/2	1/2	6 11/16
8		5.60		12 11/16	7 3/16	1 3/4	8 13/16	
10		9.73	7/8	15 1/4	8 7/16	1 7/8	5/8	10 3/4
12	13.80	17 15/16		10 1/8	2 9/16	12 7/16		
14	1700	15.60	1	19 9/16	10 11/16	2 1/2	3/4	14 7/16
16		26.81		22	12	2 3/8	1	16 5/16

* Max load exceeds dead weight load requirement of pipe at max span, except 14 and 16 where max load is based on industry standard spacing of 14. Further information on typical pipe spans and piping weight per length can be found on pages 268 and 270, respectively.

** Based on maximum insulation thickness, variations due to pipe size and insulation thickness may occur.

Fig. 260 ISS Clevis Hanger with Insulation Saddle System (cont.)

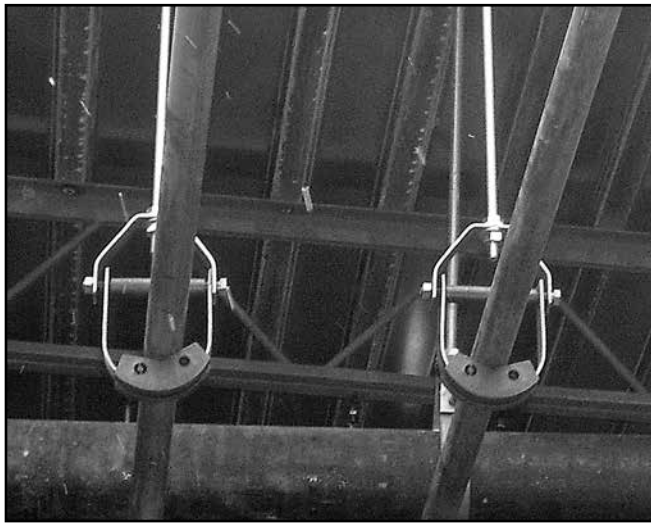
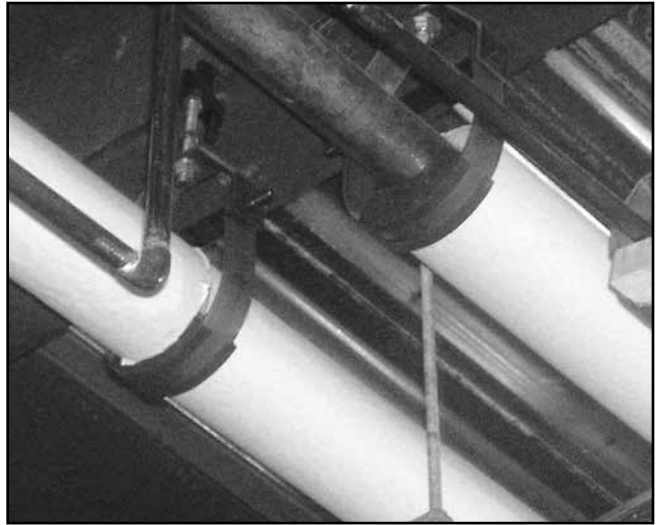
Application: Anvil's insulation saddle system clevises are fully tested and rated for a temperature range from 40°F to 200°F. Ideal for the suspension of stationary insulated chilled or hot water pipelines.

Chilled Water Testing: Extensive field-testing and inspection has been performed to confirm that the integrity of the insulation vapor barrier for chilled water systems are sustained with the 260 ISS.

To Assure Proper Vapor Barrier: Each insulation joint should be properly coated, caulked and taped. Applying standard insulation practice that is used on flanges and valves.

Features: The Anvil 260 (ISS) Insulation Saddle System reduces your overall installation time and greatly simplifies the way you insulate copper and steel pipe systems. Contractors can support insulated pipe with less parts and labor.

The revolutionary design of the 260 ISS spreads the load evenly over the lower strap of the clevis. The innovative V-Block design cradles the pipe at the design elevation throughout the erection process. The wide base V-Block design accommodates multiple pipe sizes, reducing the on-site inventory and the flexibility of pipe and insulation combinations with each size number.



ASTM & UL Fire Ratings: The 260 ISS has been independently tested by ASTM and UL for:

- Flame Spread Index (FSI)
- Smoke Development (SD) and drip ratings

Approvals from both agencies with the highest ratings for the type of product.

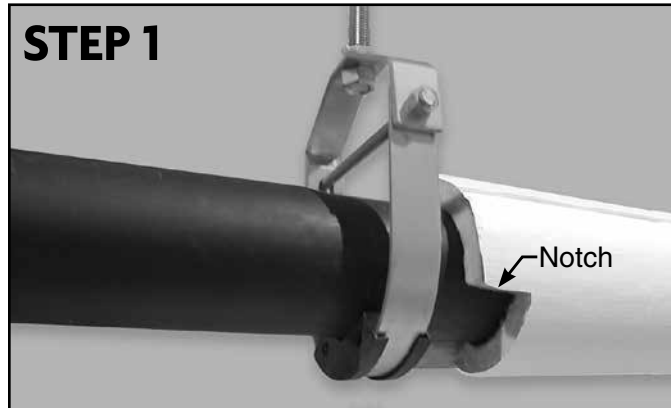
Low Thermal Conductivity: V-Block low thermal conductivity of .77 BTU-In./Sq.FT-Hr°F

Insulation R-Values: The Figure 260 ISS polymer V-Block component has an R-value ranging from 5.0 to 8.7, depending on the hanger size. Meets or exceeds most commercial insulation R-values.

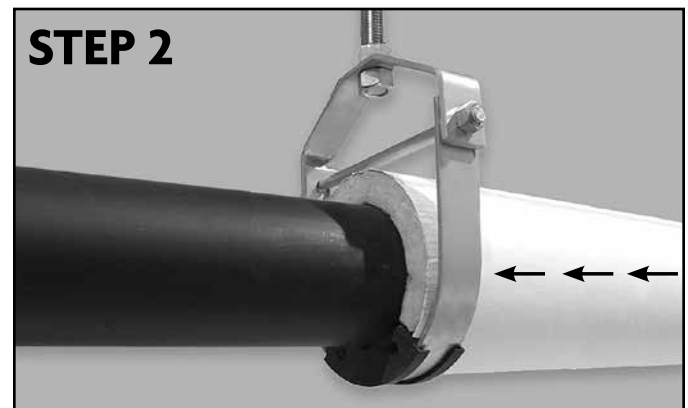
Fig. 260 ISS Clevis Hanger with Insulation Saddle System (cont.)

Easy Installation

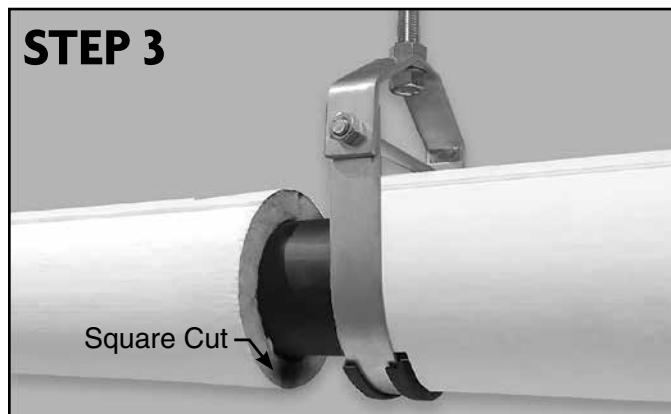
Make sure the double hex nuts installed with the upper hanger load nut above the clevis are tightened securely. Position pipe on saddle.



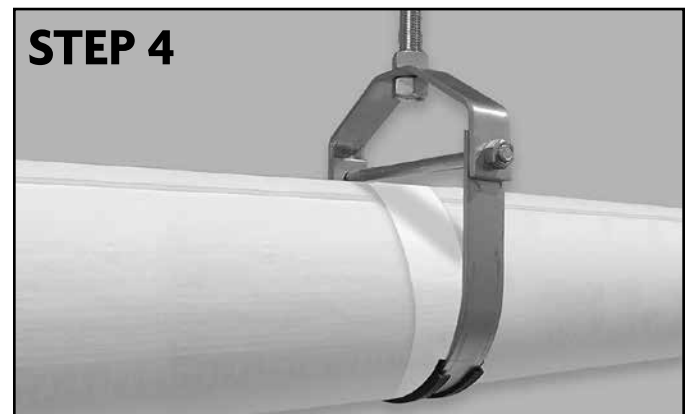
Cope or notch insulation to fit around saddle. The notch should be deep enough to extend $\frac{1}{8}$ " to $\frac{1}{4}$ " beyond the saddle.



Slide the notched insulation section over saddle.



Square cut adjoining insulation and butt the insulation ends to each other.



Caulk joints and finish taping.

To assure proper vapor barrier: Each insulation joint should be properly coated, caulked and taped. Applying standard insulation practice that is used on flanges and valves.

Finish via standard taping method.

For chilled systems a mastic for thermal insulations or similar sealant is typically used:

Systems (50°F or greater) apply sealant to:

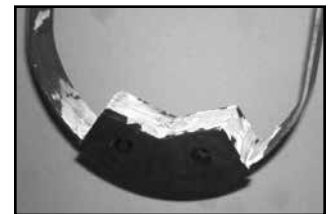
- The coped and flat edges of the mating insulation sections.
- The V-Block saddle at the insulation interface.

Systems (Below 50°F) apply sealant as per 50 Degrees with additional sealant to:

- The V-Block saddle joint between the two saddle halves.



Mastic applied to V-Block saddle at insulation interface. (50°F or greater)



Additional sealant applied to V-Block saddle joint between the two saddle halves. (Chilled water below 50°F)

CLEVIS HANGERS & SHIELDS

Fig. 300

Adjustable Clevis for Insulated Lines

Size Range: 3/4" through 12"

Material: Carbon steel

Finish: Plain, 8" & Smaller: Zinc Plated (Hot-Dip Galvanized optional), 10" & Larger: Hot-Dip Galvanized with Zinc Plated Bolts & Nuts or Epoxy Coated

Service: Recommended for suspension of insulated **stationary** pipe lines.

Maximum Temperature: Plain 650° F, Galvanized and Epoxy 450° F

Approvals: Complies with Federal Specification A-A-1192A (Type 1), WW-H-171-E (Type 1), ANSI/MSS SP-69 and MSS SP-58 (Type 1).

Installation: Hanger load nut above clevis must be tightened securely to assure proper hanger performance.

Adjustment: Vertical adjustment is provided, varying with the size of the clevis. Tighten upper nut after adjustment.

Features:

- Designed for 2" of insulation on 3/4" through 1 1/2" pipe and 4" of insulation on 2" and larger pipe.
- When properly installed, clevis bolt is outside the insulation.

Ordering: Specify pipe size, figure number, name and finish.

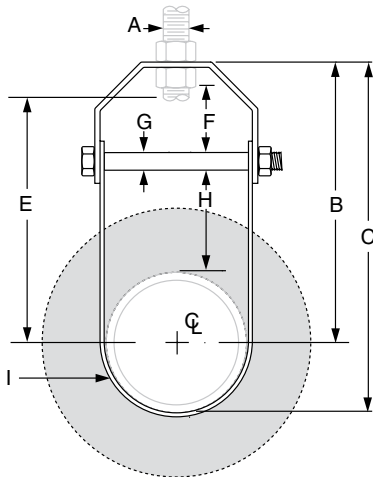


FIG. 300: DIMENSIONS (IN) • LOADS (LBS) • WEIGHT (LBS)

Pipe Size	Max Load	Weight	Rod Size A	B	C	E	Adjustment F	G	H	I Width Lower
3/4	730	0.51	3/8	3 5/8	4 1/4	2 7/8	1/2	1/4	2	1
1		0.58		4	4 11/16	3 1/4	5/8			
1 1/4		0.64		4 7/16	5 1/4	3 5/8	7/8			
1 1/2		0.72		4 3/4	5 3/4	4 1/16	1 1/16			
2		0.85		7 1/16	8 11/16	6 1/2	1 5/8			
2 1/2	1,350	1.90	1/2	8 7/16	9 15/16	7 1/2	2	3/8	4	1 1/4
3		2.00		8 5/8	10 5/16	7 9/16	1 3/4			
4	1,430	2.50	5/8	9 3/8	11 5/8	8 3/16	1 15/16	1/2	4	1 1/2
5		3.00		9 7/8	12 5/8	8 3/4	1 3/4			
6		3.40		10 5/8	14	9 3/8	1 7/8			
8	2,000	6.70	3/4	12 3/8	16 3/4	11	2	5/8	4	1 3/4
10	3,600	11.0		13 3/4	19 9/16	12 1/4	2 1/8			
12	3,800	13.8		15 1/8	21 9/16	13 3/8	2 7/16			

Fig. 590

Adjustable Clevis for Ductile or Cast Iron Pipe

Size Range: 3" through 24" ductile or cast iron pipe

Material: Carbon steel

Finish: Plain or Hot-Dip Galvanized with Zinc Plated Bolts & Nuts

Service: Recommended for the suspension of **stationary** ductile iron or cast iron pipe.

Maximum Temperature: Plain 650° F, Galvanized 450° F

Approvals: Complies with Federal Specification A-A-1192A (Type 1) WW-H-171-E (Type 1), ANSI/MSS SP-69 and MSS SP-58 (Type 1).

Installation: Hanger rod nut above clevis must be tightened securely to assure proper hanger performance.

Adjustment: Vertical adjustment without removing pipe may be made from 1¹⁵/₁₆" through 3³/₁₆", varying with the size of the clevis. Tighten upper nut after adjustment.

Ordering: Specify pipe size, figure number, name and finish.

Note: Figure 590 sizes 12" and below typically feature a Figure 260 Top Component.

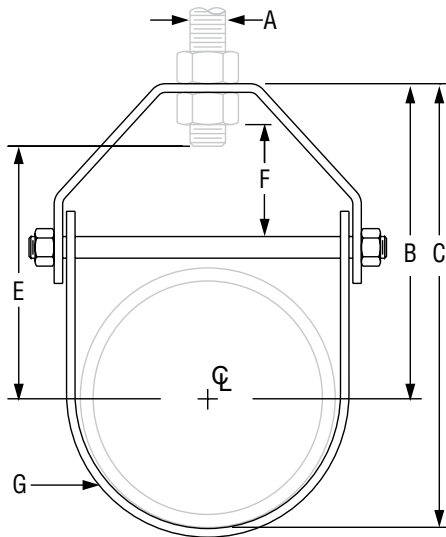


FIG. 590: DIMENSIONS (IN) • LOADS (LBS) • WEIGHT (LBS)

D.I./C.I. Pipe Size	Max Load	Weight	D.I./C.I. Pipe O.D.	Rod Size A	B	C	E	F	G Width Lower
3	1,350	1.10	3.96	1/2	5 ⁵ / ₁₆	7 ¹ / ₁₆	4 ³ / ₁₆	1 ¹³ / ₁₆	1 ¹ / ₄
4	1,430	1.64	4.80	5/8	5 ³ / ₄	8 ³ / ₁₆	4 ³ / ₄	1 ¹⁵ / ₁₆	
6	1,940	4.26	6.90	3/4	7 ⁷ / ₈	10 ⁹ / ₁₆	5 ¹⁵ / ₁₆	2 ¹ / ₄	1 ¹ / ₂
8	2,000	6.70	9.05		8 ⁵ / ₈	13 ³ / ₁₆	7 ¹ / ₂		1 ³ / ₄
10	3,600	9.73	11.10	7/8	10 ¹⁰ / ₈	15 ¹¹ / ₁₆	8 ³ / ₄	2 ⁵ / ₁₆	2
12	3,800	13.64	13.20		12 ¹² / ₁₆	18 ¹¹ / ₁₆	10 ¹¹ / ₁₆	2 ⁷ / ₈	
14	4,200	16.04	15.30	1	13 ¹ / ₄	20 ⁷ / ₈	11 ⁵ / ₁₆	2 ⁹ / ₁₆	2 ¹ / ₂
16	4,600	24.52	17.40		14 ¹ / ₄	22 ¹⁵ / ₁₆	12 ⁹ / ₁₆	2 ⁷ / ₁₆	
18	4,800	27.45	19.50	1 ¹ / ₄	16 ⁷ / ₈	26 ⁵ / ₈	15 ³ / ₁₆	3 ¹³ / ₁₆	3
20	4,800	46.24	21.60		18 ¹ / ₄	29 ¹ / ₁₆	16 ³ / ₈		
24	4,800	57.10	25.80		20 ⁵ / ₁₆	33 ¹ / ₄	18 ³ / ₈		

CLEVIS HANGERS & SHIELDS

Fig. 590SS

Adjustable Clevis for Ductile or Cast Iron Pipe

Size Range: 4" through 12" ductile or cast iron pipe

Material: 304 stainless steel

Service: Recommended for the suspension of **stationary** ductile iron or cast iron pipe.

Approvals: Complies with Federal Specification A-A-1192A (Type 1)

WW-H-171-E (Type 1), ANSI/MSS SP-69 and MSS SP-58 (Type 1).

Installation: Hanger rod nut above clevis must be tightened securely to assure proper hanger performance.

Adjustment: Vertical adjustment without removing pipe may be made from 1¹⁵/₁₆" through 3³/₁₆", varying with the size of the clevis. Tighten upper nut after adjustment.

Ordering: Specify pipe size, figure number and name.

Note: Figure 590 typically feature a Figure 260SS Top Component.

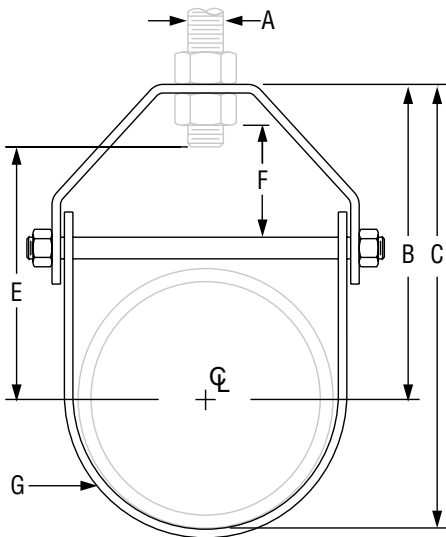


FIG. 590SS: DIMENSIONS (IN) • LOADS (LBS) • WEIGHT (LBS)

D.I./C.I. Pipe Size	Max Load		Weight	D.I./C.I. Pipe O.D.	Rod Size A	B	C	E	F	G Width Lower
	450° F	650° F								
4	1,215	1,095	1.64	4.80	5/8	5 3/4	8 3/16	4 3/4	1 15/16	1 1/4
6	1,650	1,485	4.26	6.90	3/4	7 1/8	10 9/16	5 5/16		1 1/2
8	1,700	1,530	6.70	9.05		7/8	8 5/8	13 3/16	7 1/2	2 1/4
10	1,750	1,575	9.73	11.10	10 1/8		15 11/16	8 3/4	2 5/16	
12	1,850	1,665	13.64	13.20	12 1/16		18 1/16	10 11/16	2 7/8	2

Fig. 167

Insulation Protection Shield

Size Range: 1/2" through 24" pipe with up to 2" thick insulation
Material: Carbon steel
Finish: Pre-Galvanized Material
Service: Recommended for outside of foam or fiber glass insulation for distribution of loads to preclude crushing of insulation without breaking the vapor barrier.
Approvals: Complies with Federal Specification A-A-1192A (Type 40), WW-H-171-E (Type 41), ANSI/MSS SP-69 and MSS SP-58 (Type 40).
How to size: Refer to "shield size selection table" below.
Features: Chamfered cupped ends for safe non-sharp edges.
Ordering: Specify size, figure number and name. Data applicable to shields for thicker insulation or larger pipe sizes is available upon request.

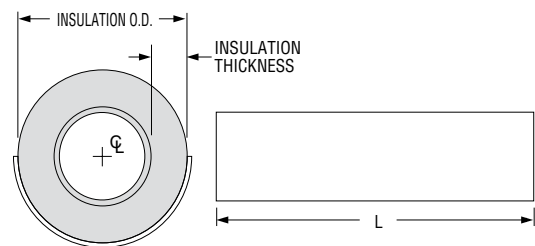


SHIELD SIZE SELECTION FOR NOMINAL PIPE SIZE					
Pipe Size	Insulation Thickness (in)				
	1/2	3/4	1	1 1/2	2
1/2	1A	1A	-	-	-
3/4		2A	3A	4A	6A
1			5A	7A	8A
1 1/4	2A	3A	4A	6A	7A
1 1/2		8A	9A		
2	3A	4A	5A	7A	8A
2 1/2	4A	5A	6A	8A	9A
3	5A	6A	7A		
3 1/2	-	-	8A	9A	10A
4	-	-			
5	-	-	9B	10B	11B
6	-	-	10B	11B	12B
8	-	-	12B	13C	14C
10	-	-	14C	15C	16C
12	-	-	16C	17C	18C
14	-	-	17C	18C	19C
16	-	-	19C	20C	21C
18	-	-	21C	22C	23C
20	-	-	23C	24C	25C
24	-	-	26C	27C	28C

SHIELD SIZE SELECTION FOR COPPER TUBING					
Tube Size	Insulation Thickness (in)				
	1/2	3/4	1	1 1/2	2
3/8	X1A	1A	2A	3A	5A
1/2, 5/8, 3/4		2A	3A	5A	7A
1, 1 1/4	1A		2A	3A	5A
1 1/2	2A	3A	4A	6A	8A
2	3A	4A	5A	7A	
2 1/2	4A	5A	6A	8A	9A
3	5A	6A	7A		
3 1/2	6A	7A	8A	9A	10A
4	7A	8A			
5	8A	9A	9A	10A	11B
6	9A		10A	11B	12B
8	11B	11B	12B	13C	14C

FIG. 167: DIMENSIONS (IN) • WEIGHT (LBS)					
Shield Size	Weight	Stock Size	L	Insulation OD	Fig. 260
X1A	0.5	18 Ga.	12	1.90	1 1/2
1A	0.7			2.38	2
2A	0.8			2.88	2 1/2
3A	1.0			3.50	3
4A	1.1			4.00	3 1/2
5A	1.3			4.50	4
6A	1.4			5.00	5
7A	1.6			5.56	5
8A	1.9			6.64	6
9A	2.7			7.64	8
10A	3.1	16 Ga.	18	8.64	8
9B	4.0			7.64	8
10B	4.6	16 Ga.	18	8.64	8
11B	5.1			9.64	10
12B	5.6	14 Ga.	24	10.76	10
13C	10.2			11.76	12
14C	11.1			12.76	12
15C	12.3			14.00	14
16C	12.7			15.00	16
17C	13.6			16.00	16
18C	14.5			17.00	18
19C	21.2			18.00	18
20C	22.4			19.00	20
21C	23.6			20.00	20
22C	24.8	12 Ga.	24	21.00	24
23C	25.9			22.00	24
24C	27.1			23.00	24
25C	28.3			24.00	24
26C	31.0			26.00	30
27C	31.8			27.00	30
28C	33.0			28.00	30

Shading in gray indicates this shield fits loosely inside the Fig. 260. To be used properly, the Fig. 260 requires a spacer.



Note: As actual foam or fiber glass insulation thicknesses vary, verify that the radius of the selected shield is suitable for the required application. Shields are designed for a maximum span of ten feet on 15 P.S.I. compressive strength insulation. For compressive strengths greater than 15 P.S.I., spans may be increased proportionately up to maximum allowable for steel pipe. Refer to MSS-SP-69 for specific guidelines on compressive strength and maximum span.

Fig. 168

Rib-Lok Shield

Size Range: 1/2" through 8" pipe or copper tube with up to 2" insulation

Material: Carbon steel

Finish: Pre-Galvanized Material

Approvals: Complies with Federal Specification A-A-1192A (Type 40), WW-H-171-E (Type 41), ANSI/MSS SP-69 and MSS SP-58 (Type 40).

Service: To be used with Fig. 65 or Fig. 260 clevis. Designed to prevent damage to insulation by hanger. Ribs keep shield centered in hanger.

How to size: Refer to shield size selection table below.

Ordering: Specify size, figure number and name.

Note: Data applicable to shields for thicker insulation or larger pipe size is available upon request.



SHIELD SIZE SELECTION FOR NOMINAL PIPE SIZE					
Pipe Size	Insulation Thickness (in)				
	1/2	3/4	1	1 1/2	2
1/2	1	1	–	–	–
3/4			2	4	6
1			3	5	7
1 1/4	2	3	3	6	
1 1/2			4	7	8
2	3	4	5	7	8
2 1/2	4	5	6		
3	5	6	7	8	9
3 1/2	–	–	8	9	10
4			9	10	11
5			10	11	12
6			11	12	13
8			12	13	14

SHIELD SIZE SELECTION FOR COPPER TUBING					
Tube Size	Insulation Thickness (in)				
	1/2	3/4	1	1 1/2	2
3/8	–	1	2	3	5
1/2, 5/8		1	2	4	6
1	1	2	3	5	7
1 1/4					
1 1/2	2	3	4	6	7
2	3	4	5		
2 1/2	4	5	6	7	8
3	5	6	7		
3 1/2	6	7	8	9	
4	7		8	9	10
5	8	8	9	10	11
6	9	9	10	11	12
8	11	11	12	13	14

FIG. 168: DIMENSIONS (IN) • WEIGHT (LBS)

Shield Size	Max O.D. of Insulation	Stock Sizes	Weight	Fig. 260
1	2 5/8	18 ga. x 8	0.41	2
2	2 7/8		0.50	2 1/2
3	3 1/2		0.61	3
4	4		0.69	3 1/2
5	4 1/2		0.78	4
6	5		0.99	5
7	5 5/8		1.09	5
8	6 5/8		1.28	6
9	7 5/8		1.51	8
10	8 5/8		18 ga. x 12	2.24
11	9 5/8	2.48		10
12	10 3/4	2.76		10
13	11 3/4	3.03		12
14	12 3/4	3.28		12

☐ Shading in gray indicates this shield fits loosely inside the Fig. 260. To be used properly, the Fig. 260 requires a spacer.

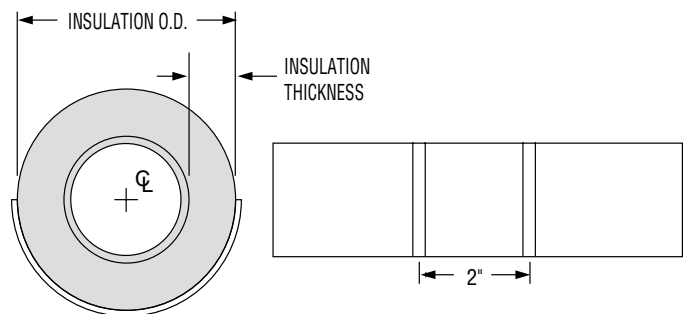


Fig. 69 (Formerly Afcon Fig. 300) Adjustable Swivel Ring, Tapped Per NFPA Standards

Size Range: 1/2" through 8"

Material: Carbon steel

Finish: Strap is Pre-Galvanized Zinc Material. Nut is Zinc Plated.

Service: Recommended for suspension of non-insulated **stationary** pipe line.

Maximum Temperature: 450° F

Approvals: Complies with Federal Specification A-A-1192A (Type 10), WW-H-171-E (Type 10), and ANSI/MSS SP-58 (Type 10). UL Listed and FM Approved (Sizes 3/4" - 8").

Features:

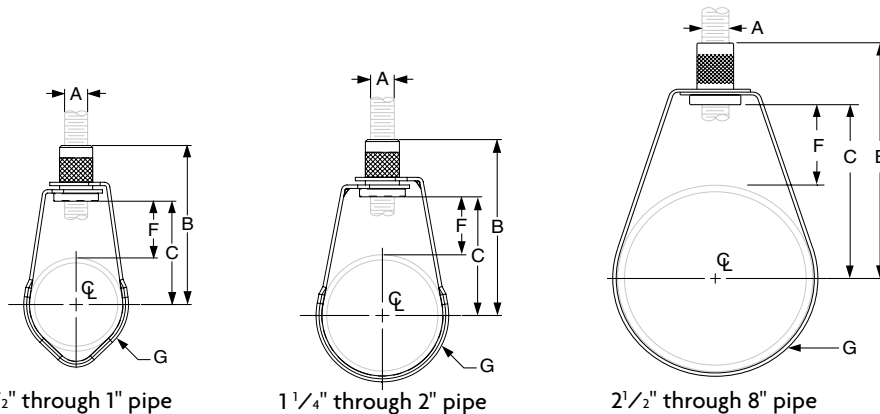
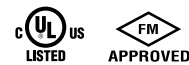
- 1/2" - 2" sizes designed for use with steel and CPVC piping and manufactured with FBC System Compatible oil.
- Threads are countersunk so that they cannot become burred or damaged.
- Knurled swivel nut provides vertical adjustment after piping is in place.
- Captured swivel nut in the 1/2" through 6" sizes. The capture is permanent in the bottom portion of the band, allowing the hanger to be opened during installation if desired, but not allowing the nut to fall completely out.

Ordering: Specify size, figure number and name.

Non-captured nut also available upon request.



1/2" through 2" Size
Rounded Edge Design



2 1/2" through 8" Size

FIG. 69: DIMENSIONS (IN) • LOADS (LBS) • WEIGHT (LBS)

Pipe Size	Max Load	Weight	Rod Size A	B	C	F	G Width
1/2	300	0.10	3/8	2 7/8	2	1 9/16	5/8
3/4		0.10		2 3/4	1 7/8	1 9/16	
1		0.10		2 9/16	1 11/16	1	
1 1/4		0.10		2 5/8	1 3/4	7/8	
1 1/2		0.10		2 3/4	1 7/8		
2	525	0.11	1/2	3 1/4	2 3/8	1 1/8	3/4
2 1/2		0.20		4	2 3/4	1 5/16	
3		0.20		3 13/16	2 15/16	1 3/16	
4	1,000	0.30	1/2	4 11/16	3 13/16	1 1/16	
5				5 5/16	4 3/8		
6				6 11/16	5 9/16	2 1/4	
8				8 9/16	7 9/16	3 1/4	

- Table of Contents
- Pictorial TOC
- General Notes
- Clevis Hangers & Shields
- Ring Hangers**
- Pipe Clamps
- Riser Clamps
- U-Bolts & Straps
- CPVC
- AWWA
- Beam Clamps
- Ceiling Plates & Flanges
- Wall Brackets
- Welded Attachments
- Concrete Inserts & Attachments
- Rod & Eye Rods
- Rod Couplings & Turnbuckles
- Swivel Attachments
- Hardware & Accessories

RING HANGERS

Fig. 69F

Adjustable Swivel Ring, Felt Lined

Size Range: 1/2" through 6" copper tube

Material: Carbon steel and felt with adhesive backing

Finish: Strap is Pre-Galvanized Material. Nut is Zinc Plated.

Service: Recommended for suspension of non-insulated **stationary** copper tubing.

Maximum Temperature: 120° F

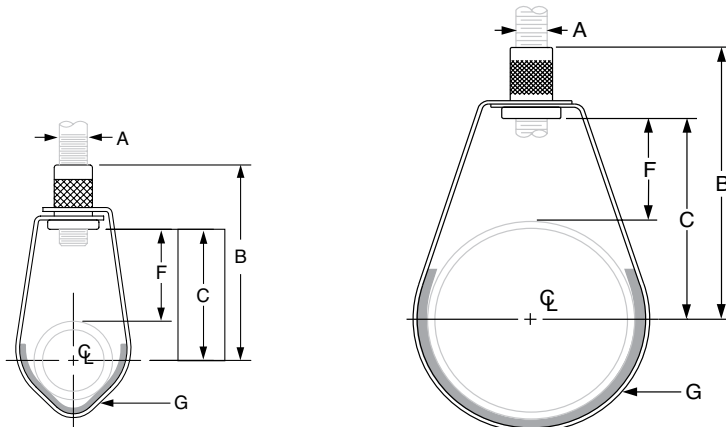
Approvals: Complies with Federal Specification A-A-1192A (Type 10)

WW-H-171-E (Type 10), ANSI/MSS SP-69 and MSS SP-58 (Type 10).

Features:

- The layer of felt separates the copper tubing from the steel ring for electrolytic resistance and also minimizes noise and vibration.
- Threads are countersunk so they cannot become burred or damaged.
- Knurled swivel nut provides vertical adjustment after tubing is in place.
- The captured nut is permanent in the bottom portion of band, allowing the hanger to be opened during installation if desired, but not allowing the nut to fall out.

Ordering: Specify felt ring size, figure number and name.



1/2" & 3/4" tube
1/2" through 1" Felted Ring

1" through 6" tube
1 1/4" through 6" Felted Ring

**FELT LINED RING:
IPS SIZING • DIMENSIONS (IN)**

Pipe Size	Felted Ring Size
1/2	1/2 - 1
3/4	1 1/4
1	1 1/4
1 1/4	2
1 1/2	2
2	2 1/2
2 1/2	3
3	4
4	5
5	6

FIG. 69F: DIMENSIONS (IN) • LOADS (LBS) • WEIGHT (LBS)

Tube Size	Felted Ring Size	Max Load	Rod Size A	B	C	F	G Width	Weight
1/2	1/2 - 1	300	3/8	2 3/4	1 7/8	1 3/8	5/8	0.10
3/4				2 5/8	1 11/16	1 1/8		0.10
1	2 7/16			1 9/16	1 13/16	0.10		
1 1/4	2 1/2			1 5/8	1 3/16	0.10		
1 1/2	2 5/8			1 3/4	3/4	0.10		
2	3 1/8			2 1/4	1	0.10		
2 1/2	3 7/8	525	1/2	2 5/8	1 13/16	3/4	0.20	
3	3 3/4			2 7/8			0.20	
4	4 5/8	3 3/4		1 9/16	0.30			
5	5 1/4	4 5/16		1 5/8	0.54			
6	6	1,000		6 11/16	5 9/16		2 3/8	0.65

Fig. CT-69

Adjustable Swivel Ring

Size Range: 1/2" through 4"

Material: Carbon steel

Finish: Copper plated

Service: Recommended for suspension of non-insulated **stationary** copper tube.

Approvals: Complies with Federal Specification A-A-1192A (Type 10)

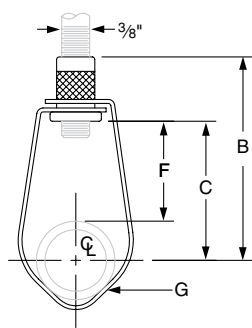
WW-H-171-E (Type 10), ANSI/MSS SP-69 and MSS SP-58 (Type 10).

Features:

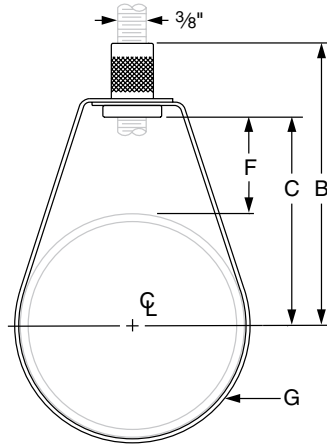
- Threads are countersunk so that they cannot become burred or damaged.
- Knurled swivel nut provides vertical adjustment after piping is in place.
- Captured swivel nut will not fall off.

Ordering: Specify nominal tube size, figure number, name and finish.

Note: Metric nut available upon request.



1/2" through 1 1/4" pipe



1 1/2" through 4" pipe



FIG. CT-69: DIMENSIONS (IN) • LOADS (LBS) • WEIGHT (LBS)

Tube Size	Max Load	Weight	B	C	F	G Width
1/2	300	0.10	3	2 ³ / ₁₆	1 ⁷ / ₈	5/8
3/4		0.10	2 ¹³ / ₁₆	2	1 ⁹ / ₁₆	
1		0.10	2 ¹¹ / ₁₆	1 ¹³ / ₁₆	1 ¹ / ₄	
1 1/4		0.10	2 ¹ / ₂	1 ⁵ / ₈	1 ¹⁵ / ₁₆	
1 1/2		0.10	2 ¹¹ / ₁₆	1 ¹³ / ₁₆	1	
2	525	0.11	3 ⁷ / ₁₆	2 ¹ / ₂	1 ¹ / ₂	3/4
2 1/2		0.25	3 ¹³ / ₁₆	2 ¹⁵ / ₁₆	1 ¹¹ / ₁₆	
3		0.27	4 ¹ / ₄	3 ³ / ₈	1 ⁷ / ₈	
4	650	0.48	4 ³ / ₈	3 ¹ / ₂	1 ¹ / ₂	

Note: Reflects changes in rod diameter from previously published data per recent revisions in MSS-SP-58 & 69

RING HANGERS

Fig. 70 (Formerly Afcon Fig. 303)

Trapeze Pipe Hanger

Size Range: 1½" through 4" Trapeze Pipe

Material: Carbon steel

Finish: Pre-Galvanized per ASTM A653

Service: Allows for the hanging of piping systems between structural attachments.

Approvals: cULus Listed

Ordering: Specify trapeze size, rod size, figure number and finish.

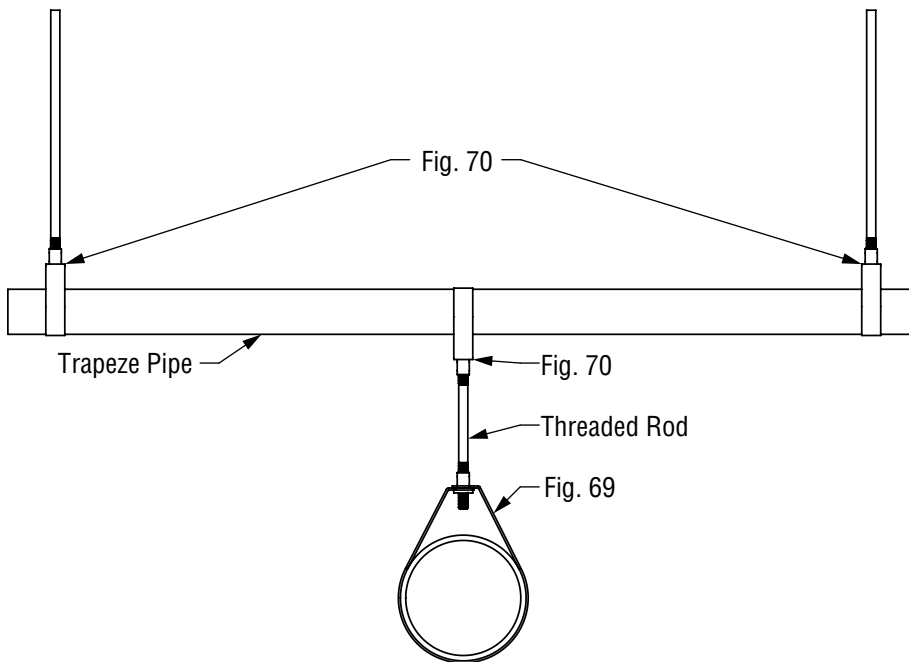


FIG. 70: DIMENSIONS (IN)

Trapeze Pipe Size	Rod Size	Max Service Pipe Size
1½	¾	4
2		
2	½	8
2½		
3		
3½		
4		

Fig. 104

Adjustable Swivel Ring, Split Ring Type

Size Range: 3/4" through 8"

Material: Malleable iron, carbon steel

Finish: Plain or Zinc Plated (Hot-Dip Galvanized optional)

Service: Recommended for suspension of non-insulated **stationary** pipe lines.

Maximum Temperature: 450° F

Approvals: Complies with Federal Specification A-A-1192A (Type 6)

WW-H-171-E (Type 6), ANSI/MSS SP-69 and MSS SP-58 (Type 16).

Features:

- Labor-saving features in installation completely outweigh slight additional cost.
- Hanger may be installed prior to suspension of pipe.
- Off-center hinge provides seating for pipe during installation.
- Wedge-type locking pin is inseparably cast into hinged section, sizes 2 1/2" and larger.
- Adjustable swivel ring is self-locking; prevents loosening due to vibration; maintains proper pitch of pipe.
- Wire retaining ring prevents separation of swivel shank from pipe ring before installation.

Ordering: Specify pipe size, figure number, name and finish.

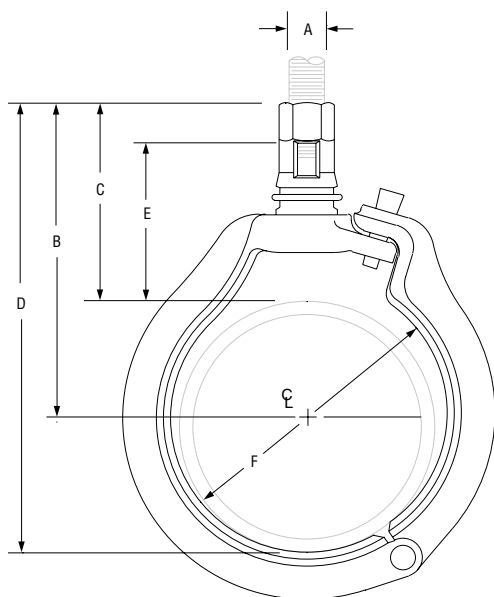


FIG. 104: DIMENSIONS (IN) • LOADS (LBS) • WEIGHT (LBS)

Pipe Size	Max Load	Weight	Rod Size A	B	C	D	E	Inside Dia. of Ring - F
3/4	300	0.31	3/8	2 7/8	2 3/8	3 7/16	1 15/16	1 3/16
1		0.32			2 1/4	3 9/16	1 3/4	1 7/16
1 1/4		0.34		3	2 3/16	3 7/8	1 11/16	1 13/16
1 1/2		0.41		3 3/8		4 1/8		2 1/16
2	500	0.48	1/2	3 1/2	2 5/16	4 11/16	1 13/16	2 1/2
2 1/2		0.58		3 15/16	2 1/2	5 3/8	1 7/8	3
3		1.00		4 3/8	2 5/8	6 1/8	2	3 3/4
4	900	1.70	5/8	5 13/16	3 9/16	8 1/16	2 7/8	4 13/16
6	1,300	3.80	3/4	7 5/8	4 5/16	10 15/16	3 1/2	7 1/16
8	1,800	6.10	7/8	9 1/8	4 7/8	13 1/2	3 3/8	9 1/16

Fig. 108

Split Pipe Ring

Size Range: $\frac{3}{8}$ " through 8"

Material: Malleable iron

Finish: Plain

Service: Recommended for suspension of non-insulated **stationary** pipe lines or conduit. May be used with rod socket Fig. 110R or turnbuckle adjuster Fig. 114.

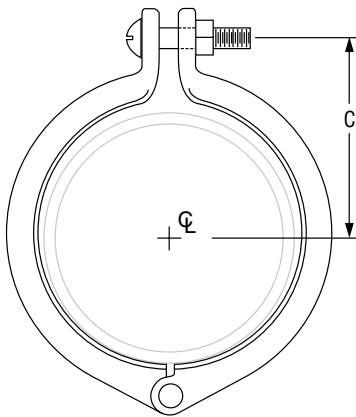
Maximum Temperature: 450° F

Approvals: Complies with Federal Specification A-A-1192A (Type 11) WW-H-171-E (Type 11), ANSI/MSS SP-69 and MSS SP-58 (Type 11).

Features:

- Permits installation before or after pipe is in place.
- Provides economical installation.
- Permits use of universally adaptable parts.

Ordering: Specify pipe size, figure number, name.



**FIGURE 108:
DIMENSIONS (IN) • LOADS (LBS) • WEIGHT (LBS)**

Pipe Size	Max Load	Weight	C	Bolt Size
$\frac{3}{8}$	200	0.06	$\frac{3}{4}$	#10 x $\frac{7}{8}$
$\frac{1}{2}$		0.09	$\frac{15}{16}$	
$\frac{3}{4}$	300	0.11	$1\frac{1}{8}$	
1		0.13	$1\frac{1}{4}$	
$1\frac{1}{4}$		0.18	$1\frac{9}{16}$	
$1\frac{1}{2}$		0.26	$1\frac{11}{16}$	
2	450	0.33	$2\frac{1}{16}$	$\frac{1}{4}$ x $1\frac{1}{4}$
$2\frac{1}{2}$		0.44	$2\frac{1}{4}$	
3		0.63	$2\frac{3}{4}$	
$3\frac{1}{2}$		0.81	$3\frac{1}{8}$	
4	520	0.97	$3\frac{5}{8}$	$\frac{3}{8}$ x 2
5		1.50	$4\frac{1}{2}$	
6	1,300	2.60	$5\frac{7}{16}$	$\frac{1}{2}$ x 2
8	1,800	5.20	$6\frac{3}{8}$	

Fig. 138R (Rod Threaded)

Extension Split Pipe Clamp

Size Range: $\frac{3}{8}$ " through 3"

Material: Malleable iron

Finish: Plain or Zinc Plated (Hot-Dip Galvanized optional)

Service: Recommended for non-insulated **stationary** pipe lines.

Maximum Temperature: 450° F

Approvals: Complies with Federal Specification A-A-1192A (Type 12) WW-H-171-E (Type 25), ANSI/MSS SP-69 and MSS SP-58 (Type 12).

Features:

- Rapid installation assured by hinged design and single closure screw.
- When used with nipple this clamp is particularly adaptive for use on refrigeration or compressor piping subject to vibration.
- Interior design provides firm grip on pipe.
- Inside of ring tapered to prevent entrapment of condensed moisture.

Ordering: Specify pipe size, figure number, name and finish.

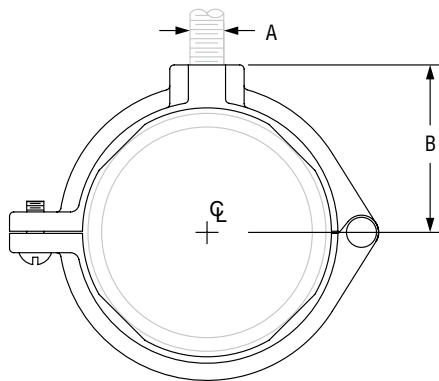


FIG. 138R: DIMENSIONS (IN) • LOADS (LBS) • WEIGHT (LBS)				
Pipe Size	Max Load	Weight	Rod Size A	B
$\frac{3}{8}$	180	0.10	$\frac{3}{8}$	$\frac{1}{16}$
$\frac{1}{2}$		0.13		$\frac{7}{8}$
$\frac{3}{4}$		0.14		1
1		0.16		$1\frac{1}{8}$
$1\frac{1}{4}$		0.22		$1\frac{5}{16}$
$1\frac{1}{2}$		0.24		$1\frac{7}{16}$
2	300	0.31	$\frac{1}{2}$	$1\frac{11}{16}$
$2\frac{1}{2}$		0.60		$2\frac{1}{8}$
3		0.74		$2\frac{1}{16}$

Fig. CT-138R

Extension Split Tubing Clamp (Rod Threaded)

Size Range: 1/2" through 2"

Material: Malleable iron

Finish: Copper Colored Epoxy

Service: Recommended for suspension of non-insulated **stationary** copper tube.

Approvals: Complies with Federal Specification A-A-1192A (Type 12) WW-H-171-E (Type 25), ANSI/MSS SP-69 and MSS SP-58 (Type 12).

Installation:

- Permanent installation of clamp may be made before the tubing is placed in position.
- Final installation is attained by swinging the lower portion of the hinged clamp up under the tubing and inserting a single screw securely.

Features:

- Hinged design provides for economical installation.
- Designed to provide a tight fit on copper tubing.

Ordering: Specify nominal tube size, figure number and name.

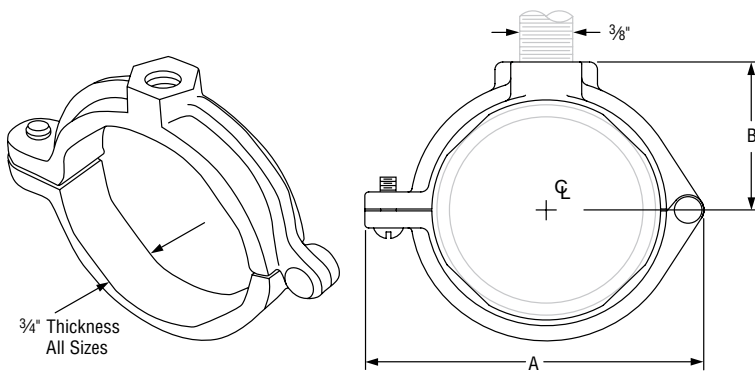


FIG. CT-138R: DIMENSIONS (IN) • LOADS (LBS) • WEIGHT (LBS)				
Tube Size	Max Load	Weight	A	B
1/2	180	0.10	2	3/4
3/4		0.12	2 1/4	7/8
1		0.14	2 1/2	1
1 1/4		0.18	2 7/8	1 1/8
1 1/2		0.22	3 1/4	1 1/4
2		0.36	4	1 9/16

Fig. 100

Extended Pipe Clamp

Size Range: 1/2" through 8"
Material: Carbon steel
Finish: Plain or Hot-Dip Galvanized with Zinc Plated Fasteners
Service: For attachment to structure without use of rods.
Maximum Temperature: Plain 650° F, Galvanized 450° F
Ordering: Specify pipe size, figure number, name and finish.

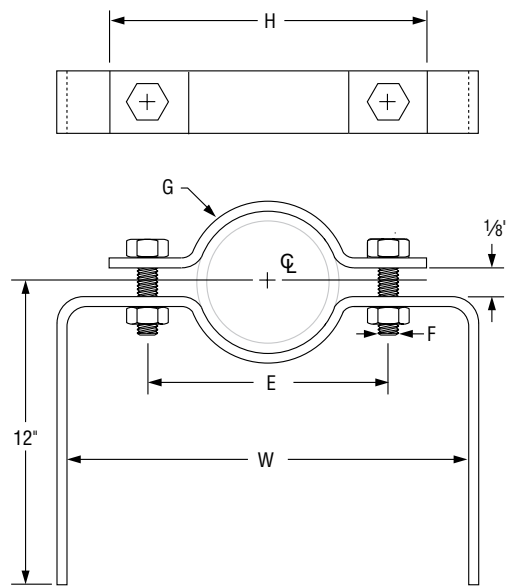


FIG. 100: WEIGHT (LBS) • DIMENSIONS (IN)

Pipe Size	W	E	F	G Width	H	Weight
1/2	5 5/8	2 7/8	3/8	1	4 1/4	1.85
3/4	5 7/8	3 1/8			4 1/2	2.20
1	6 3/8	3 5/8			5	2.25
1 1/4	6 7/8	4 1/8			5 1/2	2.34
1 1/2	7 1/8	4 3/8	1/2	1 1/4	5 3/4	2.39
2	8 3/8	5 1/8			6 7/8	3.25
2 1/2	8 7/8	5 5/8			7 3/8	3.40
3	10	6 3/4			8 1/4	3.58
4	10 5/8	7 3/8	5/8	2	9 1/8	4.74
5	12 3/8	8 3/8			10 1/8	5.09
6	13 1/2	9 3/4			12	8.23
8	15 1/2	11 3/4			14	9.25

Fig. 103

Offset Pipe Clamp

Size Range: 3/4" through 8"
Material: Carbon steel
Finish: Plain or Hot-Dip Galvanized with Zinc Plated Fasteners
Service: For use in supporting piping away from wall or floor.
Maximum Temperature: Plain 650° F, Galvanized 450° F
Ordering: Specify pipe size, figure number, name and finish
Service: For use in supporting horizontal piping away from the wall or floor (not to be used as a riser type support)

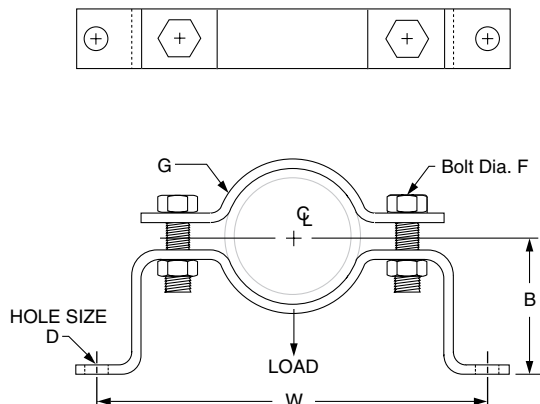


FIG. 103: LOADS (LBS) • WEIGHT (LBS) • DIMENSIONS (IN)

Pipe Size	Max Load	Weight	W	B	D	Bolt Dia. F	G Width
3/4	190	1.50	8 3/4	2 1/2	7/16	3/8	1 1/4
1		1.60	9 1/4	2 5/8			
1 1/4		1.70	9 3/4	2 13/16			
1 1/2		1.80	10	2 15/16			
2	420	2.70	11 1/4	3 3/16	9/16	1/2	1 1/2
2 1/2		2.90	11 3/4	3 7/16			
3		3.20	12 7/8	3 3/4			
4		4.60	13 7/8	4 1/4			
5	610	7.30	15 5/8	4 3/4	1 1/16	5/8	2
6		7.80	16 3/4	5 5/16			
8		9.00	18 3/4	6 3/16			

- Table of Contents
- Pictorial TOC
- General Notes
- Clevis Hangers & Shields
- Ring Hangers
- Pipe Clamps
- Riser Clamps
- U-Bolts & Straps
- CPVC
- AWWA
- Beam Clamps
- Ceiling Plates & Flanges
- Wall Brackets
- Welded Attachments
- Concrete Inserts & Attachments
- Rod & Eye Rods
- Rod Couplings & Turnbuckles
- Swivel Attachments
- Hardware & Accessories

Fig. 212 (Formerly Afcon Fig. 415)

Medium Pipe Clamp

Size Range: 1/2" through 30"

Material: Carbon steel

Finish: Plain or Hot-Dip Galvanized (Hot Dip Galvanized comes with zinc plated hardware.)

Service: Recommended for suspension of cold pipe lines or hot lines where no insulation is required.

Maximum Temperature: Plain 750° F, Galvanized 450° F

Approvals: Complies with Federal Specification A-A-1192A (Type 4)

WW-H-171-E (Type 4), ANSI/MSS SP-69 and MSS SP-58 (Type 4).

UL, ULC Listed and FM Approved (Sizes 3/4" - 8").

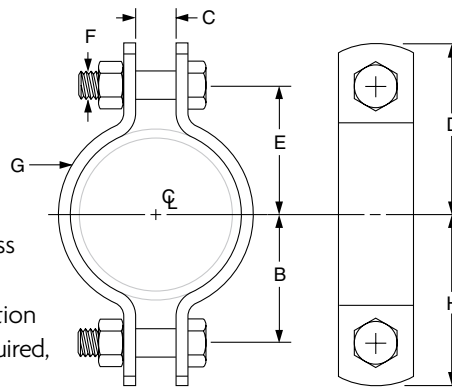
Installation: Normally used with weldless eye nut Fig. 290, page 119 or eye rod.

Features:

- Clamps tightly to pipe.
- Wide range of sizes.
- Equal gap design on many sizes.

Ordering: Specify pipe size, figure number, name and finish.

Note: The "C" gap dimension ensures adequate clearance at the top attachment point for a weldless eye nut or other appropriate rod attachment. This gap may or may not be present on the bottom portion of the clamp. If different loads or dimensions are required, refer to Fig. 42 SD non-standard two bolt pipe clamp.



Note: This picture is representative of a typical Figure 212. Distance between clamp ears beneath pipe may or may not be equal to upper gap.

FIG. 212: DIMENSIONS (IN) • LOADS (LBS) • WEIGHT (LBS)

Pipe Size	Span Ft.	Max Load For Service Temp		Weight	B	C	Rod Take Out E	H	D	F	G Width
		650° F	750° F								
1/2	7*	500	-	0.29	1	1/2	1 3/16	1 17/32	1 23/32	5/16	1
3/4				0.33	1 1/8		1 1/4	1 21/32	1 25/32		
1				0.35	1 1/8		1 3/8	1 29/32	1 29/32		
1 1/4				0.38	1 1/16		1 5/8	1 31/32	2 5/32		
1 1/2	9*	800	-	0.43	1 1/16	1/2	1 11/16	2 3/32	2 7/32	1/2	
2	10*			1.10	2 1/8		2 1/8	2 3/4	2 3/4		
2 1/2	11*	1,040	930	1.20	2 5/8	5/8	2 5/8	3 1/4	3 1/4	5/8	
3	12*			1.40	2 7/8		2 7/8	3 1/2	3 1/2		
3 1/2	13*			1.50	3 3/16		3 3/16	3 13/16	3 13/16		
4	14*			1.80	3 1/2		3 1/2	4 1/4	4 1/4		
5	16*	1,615	1,440	2.60	4 3/16	3/4	4 3/16	4 15/16	4 15/16	3/4	
6	17*			5.40	4 7/8		4 7/8	5 3/4	5 3/4		
8	19*			6.50	6		6	6 7/8	6 7/8		
10	22*	2,490	2,220	13.60	7 1/16	1	7 7/16	8 9/16	8 9/16	7/8	
12	23*			15.20	8 7/16		8 7/16	9 9/16	9 9/16		
14	20			20.50	9 1/4		9 1/4	10 5/8	10 5/8		
16	15			22.30	10 1/4		10 1/4	11 5/8	11 5/8		
18	15	3,060	2,730	31.60	11 5/8	1 1/4	11 5/8	13	13	1	
20	12			35.80	12 3/4		1 3/8	12 3/4	14 1/8		14 1/8
24	12			53.10	15 1/4		1 5/8	15 1/4	16 7/8		16 7/8
30	9	3,500	3,360	113.90	19	2	19	21 1/8	21 1/8	1 3/4	4

Clamps may be furnished with square ends. "Span" represents the maximum recommended distance between hangers on a continuous & straight run of horizontal standard weight steel pipe filled with water. In all cases, verify that chosen location of hangers does not subject hangers to a load greater than the maximum recommended load shown above. For vapor service, the presence of fittings or insulation, and other weights and types of pipe, spans may either increase or decrease. In all cases, verify that chosen location of hanger does not subject hangers to a load greater than the maximum recommended load shown. *Indicates that span represents the maximum span for water filled pipe as given in Table 1 of page 268.

Fig. 212FP

Seismic Bracing Clamp

Size Range: 2 1/2" through 12"

Material: Carbon steel

Finish: Plain or Hot-Dip Galvanized (Hot Dip Galvanized comes with zinc plated hardware.)

Service: For seismic bracing, to be used with Fig. 113 brace fitting. Pipe clamp bolt holes are designed to match holes in brace fitting.

Maximum Temperature: Plain 750° F, Galvanized 450° F

Approvals: Complies with Federal Specification A-A-1192A (Type 4) WW-H-171-E (Type 4), ANSI/MSS SP-69 and MSS SP-58 (Type 4).

Installation: Designed for use with Fig. 113 brace fitting, see page 101.

Ordering: Specify pipe size, figure number, name and finish.

Note: The "C" gap dimension should be used at the upper and lower locations to ensure proper installation of the clamp.

Standard Figure 212 will be furnished for sizes 2 1/2" thru 4".

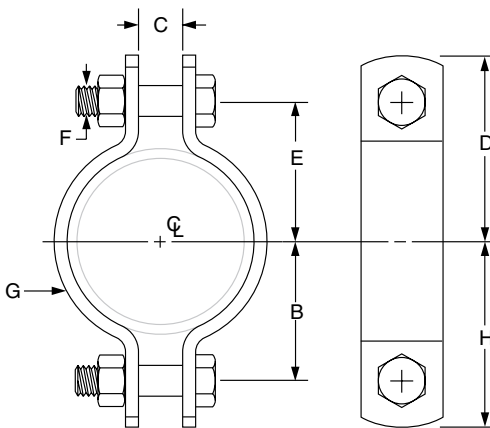


FIG. 212FP: DIMENSIONS (IN) • LOADS (LBS) • WEIGHT (LBS)

Pipe Size	Max Load For Service Temp		Weight (lbs)	B	C	Rod Take Out E	H	D	F	G Width	
	650° F	750° F									
2 1/2	1,040	930	1.20	2 5/8	5/8	2 5/8	3 1/4	3 1/4	1/2	1	
3			1.40	2 7/8		2 7/8	3 1/2	3 1/2			
3 1/2			1.50	3 3/16		3 3/16	3 3/16	3 3/16			
4			1.80	3 1/2		3 1/2	4 1/4	4 1/4			
5			2.50	4 3/16	3/4	4 3/16	4 15/16	4 15/16			1 1/4
6			5.20	4 7/8	1 1/4	4 7/8	5 3/4	5 3/4			
8			6.30	6		6	6 7/8	6 7/8			2
10			13.60	7 7/16	1	7 7/16	8 9/16	8 9/16			
12			15.20	8 7/16		8 7/16	9 9/16	9 9/16			

- Table of Contents
- Pictorial TOC
- General Notes
- Clevis Hangers & Shields
- Ring Hangers
- Pipe Clamps**
- Riser Clamps
- U-Bolts & Straps
- CPVC
- AWWA
- Beam Clamps
- Ceiling Plates & Flanges
- Wall Brackets
- Welded Attachments
- Concrete Inserts & Attachments
- Rod & Eye Rods
- Rod Couplings & Turnbuckles
- Swivel Attachments
- Hardware & Accessories

PIPE CLAMPS

Fig. 216 (Formerly Afcon Fig. 420)

Heavy Pipe Clamp

Size Range: 3" through 42"

Material: Carbon steel

Finish: Plain or Hot-Dip Galvanized (Hot Dip Galvanized comes with zinc plated hardware.)

Service: Recommended for suspension of pipe lines where no insulation is required.

Maximum Temperature: Plain 750° F, Galvanized 450° F

Approvals: Complies with Federal Specification A-A-1192A (Type 4)

WW-H-171-E (Type 4), ANSI/MSS SP-69 and MSS SP-58 (Type 4).

Installation: Normally used with welded eye rod or with weldless eye nut

Fig. 290, see page 119.

Features:

- Designed for heavy load up to 750° F

Ordering: Specify pipe size, figure number, name and finish.

Note: If different loads or dimensions are required, refer to Fig. 42 SD non-standard two bolt pipe clamp.



Note: This picture is representative of a typical Figure 216. Distance between clamp ears beneath pipe may or may not be equal to upper gap.

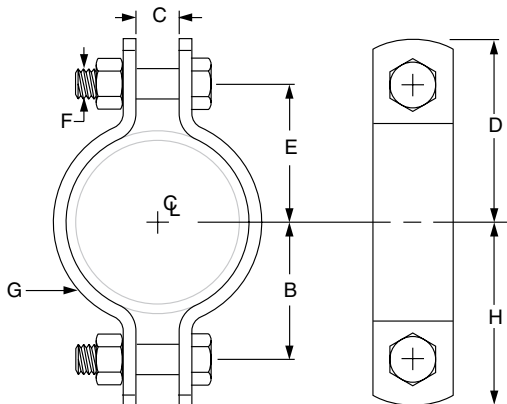


FIG. 216: DIMENSIONS (IN) • LOADS (LBS) • WEIGHT (LBS)

Pipe Size	Max Load For Service Temp		Weight	B	C	D	Rod Take Out E	F	G Width	H
	650° F	750° F								
3	3,370	3,005	3.6	2 ¹⁵ / ₁₆	1	4	3 ¹ / ₈	3 ³ / ₄	2	3 ¹³ / ₁₆
4	3,515	3,135	5.5	3 ⁹ / ₁₆		4 ⁷ / ₈	3 ³ / ₄			4 ¹¹ / ₁₆
5			6.3	4 ¹ / ₈		5 ¹ / ₂	4 ³ / ₈			5 ¹ / ₄
6	4,865	4,350	11.7	5	1 ¹ / ₈	6 ⁵ / ₈	5 ¹ / ₄	1	2 ¹ / ₂	6 ³ / ₈
8		4,340	13.9	6 ³ / ₈		7 ⁵ / ₈	6 ¹ / ₄			7 ¹ / ₂
10	6,010	5,360	22.3	7 ⁹ / ₁₆	1 ¹ / ₄	9 ¹ / ₁₆	7 ¹¹ / ₁₆	1 ¹ / ₄	3	8 ¹⁵ / ₁₆
12	8,675	7,740	38.1	9	1 ⁵ / ₈	10 ⁷ / ₈	9 ¹ / ₄	1 ¹ / ₂		10 ⁵ / ₈
14	9,120	8,135	46.8	9 ³ / ₄		11 ⁷ / ₈	10		11 ⁵ / ₈	
16			51.4	10 ³ / ₄		12 ⁷ / ₈	11		12 ⁷ / ₈	
18	13,800	–	130.1	14 ¹ / ₂	3	17 ¹ / ₄	14 ¹ / ₂	2	6	17 ¹ / ₄
20	15,300	–	163.6	16		18 ³ / ₄	16		18 ³ / ₄	
24	16,300	–	215.2	18 ¹ / ₂	3 ¹ / ₄	21 ¹ / ₂	18 ¹ / ₂	2 ¹ / ₄	6	21 ¹ / ₂
28	18,000	–	302.8	20 ¹ / ₂		23 ¹ / ₂	20 ¹ / ₂		23 ¹ / ₂	
30	20,500	–	365.4	22 ¹ / ₂	3 ¹ / ₂	26	22 ¹ / ₂	2 ¹ / ₂	7	26
32	23,750	–	431.7	23 ¹ / ₂		27	23 ¹ / ₂		27	
34	25,000	–	533.8	25		28 ¹ / ₂	25		28 ¹ / ₂	
36	28,000	–	575.1	26 ¹ / ₂		30 ¹ / ₄	26 ¹ / ₂		30 ¹ / ₄	
42	35,000	–	915.7	30		33 ³ / ₄	30		33 ³ / ₄	

Fig. 224

Alloy Steel Pipe Clamp

Size Range: 4" through 16"

Material: Chrome molybdenum steel except U-bolt which is stainless steel.

Service: Recommended for suspension of high temperature pipe requiring up to 4" of insulation.

Maximum Temperature: 1,050° F

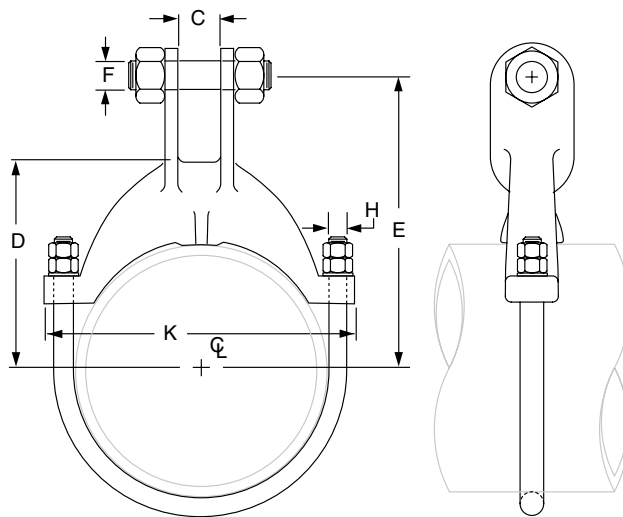
Approvals: Complies with Federal Specification A-A-1192A (Type 2), WW-H-171-E (Type 2), and MSS SP-58 (Type 2).

Installation: Normally used with welded eye rod Fig. 278 or weldless eye nut Fig. 290.

Features:

- Designed for the support of loads at temperatures up to 1,050° F.
- Designed to satisfy most critical engineering specifications.
- Yoke has rugged cross sectional area, eliminating high stress conditions.
- When used on pipe with 4" of insulation the top bolt is outside of the insulation.

Ordering: Specify pipe size, figure number and name.



Cast



Fabricated

FIG. 224: DIMENSIONS (IN) • LOADS (LBS) • WEIGHT (LBS)

Pipe Size	Max Load ■				Weight	C	D	Rod Take Out E	F	H	K
	750° F	950° F	1,000° F	1,050° F							
4	3,780	3,300	2,770	1,890	4.0	1 ¹ / ₁₆	3 ³ / ₈	6 ³ / ₄	7 ⁷ / ₈	1 ¹ / ₂	6 ¹ / ₂
6	6,060	5,290	4,440	3,030	7.5	1 ¹ / ₁₆	5 ⁷ / ₁₆	8 ⁵ / ₁₆	1	5 ⁵ / ₈	9 ¹ / ₈
8							6 ¹ / ₁₆	9 ⁹ / ₁₆			11 ¹ / ₈
10	9,060	7,910	6,640	4,420	15.8		8 ³ / ₈	10 ⁷ / ₈			1 ¹ / ₈
12	12,570	10,980	9,015	6,010	24.3	1 ¹⁵ / ₁₆	10 ¹⁰ / ₈	12 ⁷ / ₈	1 ¹ / ₂	7 ⁷ / ₈	16 ¹ / ₈
14					26.3		11 ¹ / ₈	13 ³ / ₈			17 ⁷ / ₈
16					31.0		12 ¹ / ₄	15			19 ³ / ₈

■ Based on the allowable stresses shown in the ASME Code for Pressure Piping. Over tightening of nuts may overstress U-bolts reducing the load rating. Installation tag attached to clamp gives proper nut tightening.

- Table of Contents
- Pictorial TOC
- General Notes
- Clevis Hangers & Shields
- Ring Hangers
- Pipe Clamps**
- Riser Clamps
- U-Bolts & Straps
- CPVC
- AWWA
- Beam Clamps
- Ceiling Plates & Flanges
- Wall Brackets
- Welded Attachments
- Concrete Inserts & Attachments
- Rod & Eye Rods
- Rod Couplings & Turnbuckles
- Swivel Attachments
- Hardware & Accessories

Fig. 246

Heavy Duty Alloy Steel Pipe Clamp

Size Range: 10" through 24"

Material: Chrome molybdenum steel except U-bolt which is stainless steel.

Service: Recommended for suspension of high temperature pipe requiring up to 6" of insulation.

Maximum Temperature: 1,075° F

Approvals: Complies with Federal Specification A-A-1192A (Type 2), WW-H-171-E (Type 2), and MSS SP-58 (Type 2).

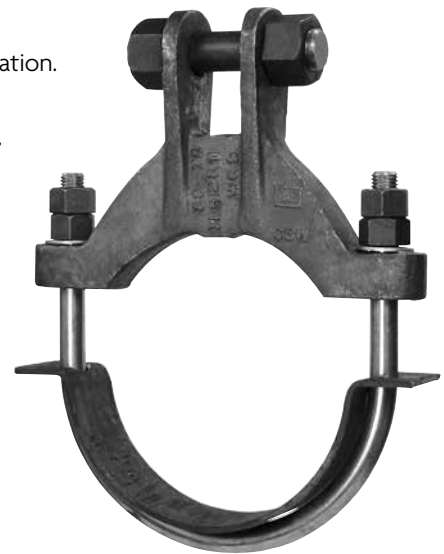
Installation: Normally used with welded eye rod Fig. 278 or weldless eye nut Fig. 290.

Features:

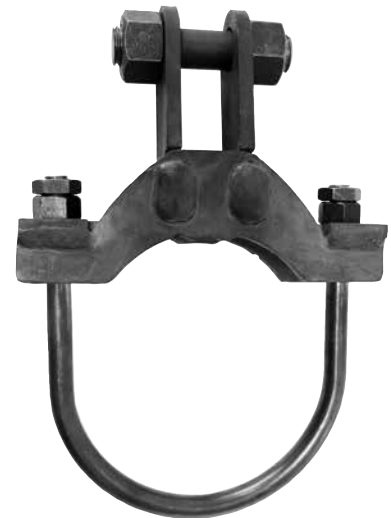
- Designed for the support of heavy loads at high temperatures.
- Clamp with filler plate will snugly hold pipe of non-standard size.
- Alloy load distribution strap provided.
- When used on pipe with 6" of covering, the top bolt is outside of the insulation.

Ordering: Specify nominal pipe size and exact O.D. of pipe, figure number, name.

Special alloy filler plates will be provided, at an extra charge, when the O.D. of the pipe size is other than standard. Installation instructions are attached to the clamp when the filler plates are required.



Cast



Fabricated

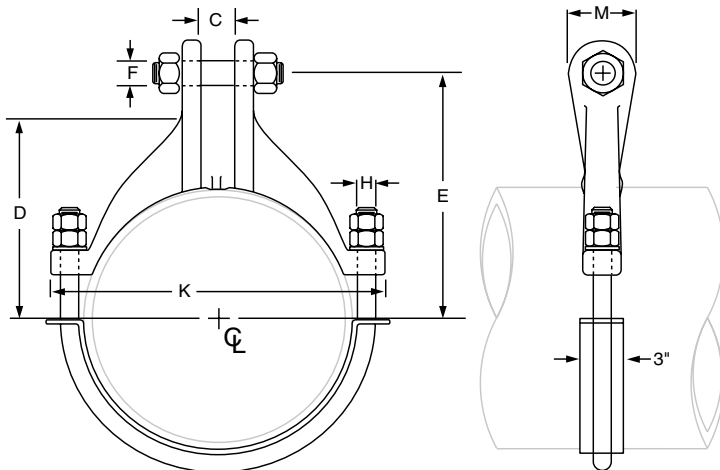


FIG. 246: DIMENSIONS (IN) • LOADS (LBS) • WEIGHT (LBS)

Pipe Size	Used on O.D. pipe size	Max Load ■				Weight*	C	D	Rod Take Out E	F	H	K	M
		950° F	1,000° F	1,050° F	1,075° F								
10	8¾ - 10 ¹³ / ₁₆	13,500	11,780	7,850	6,120	42.0	2	9 ⁹ / ₁₆	12	1½	1	15 ³ / ₈	3¼
12	10 ⁷ / ₈ - 12 ¹³ / ₁₆	16,500	14,910	9,940	7,750	58.0	2¼	10 ³ / ₄	13 ³ / ₄	1 ⁵ / ₈	1¼	17 ⁷ / ₈	4
14	12 ⁷ / ₈ - 14 ¹ / ₁₆							11½	14½			19 ¹ / ₈	
16	14 ¹ / ₈ - 16 ¹ / ₁₆							13 ³ / ₈	16 ³ / ₈			21 ¹ / ₈	
18	16 ⁷ / ₈ - 18 ¹ / ₁₆	19,000	18,410	12,270	9,570	94.0	2½	14½	18¼	2	1¼	24 ¹ / ₈	4½
20	18 ⁷ / ₈ - 20 ¹ / ₁₆							15¾	19½			26 ¹ / ₈	
24	20 ⁷ / ₈ - 24 ¹ / ₁₆	25,000	22,280	14,850	11,580	167.0	3	18¼	22	2¼	1 ⁵ / ₈	30¾	6

■ Based on the allowable stresses shown in the ASME Code for Pressure Piping. Over tightening of nuts may overstress U-bolts reducing the load rating. Installation tag attached to clamp gives proper nut tightening. * This weight does not include filler plates required on non-standard pipe sizes

Fig. 295 (Formerly Afcon Fig. 425)

Double Bolt Pipe Clamp

Size Range: 3/4" through 36"

Material: Carbon steel

Finish: Plain or Hot-Dip Galvanized with Zinc Plated Bolts & Nuts

Service: Recommended for suspension of pipe requiring insulation within the limitation of temperature and loads shown below.

Maximum Temperature: Plain 750° F, Galvanized 450° F

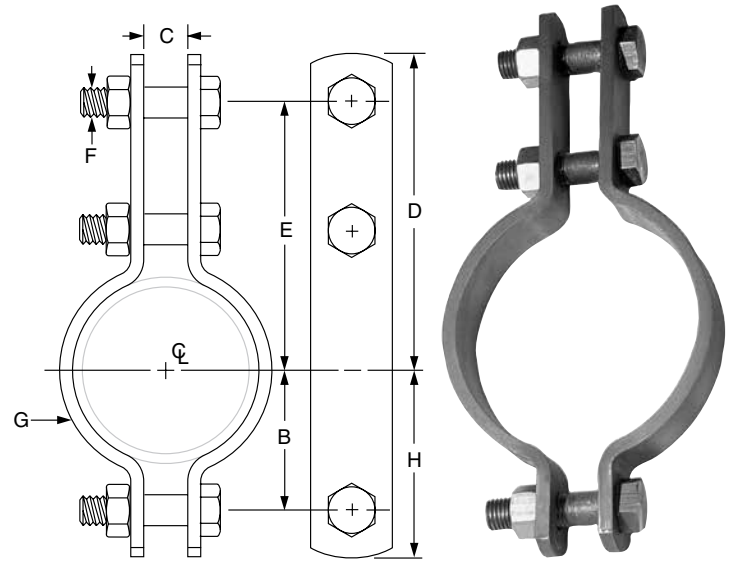
Approvals: Complies with Federal Specification A-A-1192A (Type 3), WW-H-171-E (Type 3), ANSI/MSS SP-69 and MSS SP-58 (Type 3).

Installation: Attachment to the clamp may be made with a welded eye rod Fig. 278, page 114 or the weldless eye nut Fig. 290, see page 119.

Features:

- Sizes 6" and above accommodate up to 4" thick insulation.
- Figure 41SD will accommodate larger insulation thicknesses, loads and dimensions.

Ordering: Specify pipe size, figure number, name and finish.



Note: This picture is representative of a typical Figure 295. Distance between clamp ears beneath pipe may or may not be equal to upper gap.

FIG. 295: DIMENSIONS (IN) • LOADS (LBS) • WEIGHT (LBS)

Pipe Size	Max Span Ft.	Max Load For Service Temp.		Weight	B	C	D	Rod Take Out E	F	G Width	H
		650° F	750° F								
3/4	7*	950	-	0.7	1 5/16	5/8	2 7/8	2 7/16	3/8	1	1 3/8
1				0.8	1 1/16		3	2 9/16			1 1/2
1 1/4				0.8	1 1/4		3 1/8	2 11/16			1 11/16
1 1/2	9*	1,545	1,380	2.3	1 13/16	1 1/16	4 7/8	4 1/8	5/8	1 1/4	2 3/8
2				2.6	2 1/8		5 7/8	5 1/8			2 11/16
2 1/2				1.97	2 5/8		6	5 3/8			3 1/4
3	12*	2,500	2,230	2.17	2 7/8	5/8	6 5/8	6	1/2	1	3 1/2
4				6.7	3 3/8		7 5/8	6 1/2			4 1/2
5				7.0	3 15/16		8 1/8	7			5
6	14*	2,865	2,555	7.31	4 7/8	1 1/16	9 3/8	8 1/2	3/4	2	5 3/4
8				8.33	6		10 3/8	9 1/2			6 7/8
10				19.8	6 7/8		12	10 7/16			8 1/4
12	22*	3,240	2,890	22.3	7 7/8	1 7/16	13	11 7/16	1	2 1/2	9 1/4
14				37.7	9 1/16		14 5/16	12 11/16			10 11/16
16				41.4	10 1/16		15 5/16	13 11/16			11 11/16
18	20	4,300	3,835	44.9	11 1/16	2	16 5/16	14 11/16	1 1/4	3	12 11/16
20				57.3	12 3/8		17 5/8	15 5/8			14
24				65.9	14 3/8		19 3/8	17 7/8			16
28	12	5,490	4,900	112.3	17 1/2	2 1/4	24 1/4	21 3/4	1 3/8	4	20
30				150.0	18 1/2		26 1/8	23 3/8			21 1/4
32				193.3	19 5/8		28	25			22 5/8
34	9	7,500	-	248.8	21 1/2	2 1/2	31 1/4	27 3/4	1 1/2	5	25
36				257.5	22 1/2		32 1/4	28 3/4			25

Clamps may be furnished with square ends. "Span" represents the maximum recommended distance between hangers on a continuous and straight run of horizontal standard weight steel pipe filled with water. In all cases, verify that chosen location of hangers does not subject hangers to a load greater than the maximum recommended load shown above. *Indicates that span represents the maximum span for water filled pipe as given in Table 1 of page 268. For vapor service, the presence of fittings or insulation, and other weights and types of pipe, spans may either increase or decrease. In all cases, verify that chosen location of hanger does not subject hangers to a load greater than the maximum recommended load shown.



- Table of Contents
- Pictorial TOC
- General Notes
- Clevis Hangers & Shields
- Ring Hangers
- Pipe Clamps
- Riser Clamps
- U-Bolts & Straps
- CPVC
- AWWA
- Beam Clamps
- Ceiling Plates & Flanges
- Wall Brackets
- Welded Attachments
- Concrete Inserts & Attachments
- Rod & Eye Rods
- Rod Couplings & Turnbuckles
- Swivel Attachments
- Hardware & Accessories

Fig. 295A

Alloy Double Bolt Pipe Clamp

Size Range: 1½" through 24"

Material: Chrome molybdenum steel (ASTM A 387 Grade 22).

Service: Recommended for suspension of high temperature pipe requiring insulation.

Maximum Temperature: 1,050° F

Approvals: Complies with Federal Specification A-A-1192A (Type 3)

WW-H-171-E (Type 3), ANSI/MSS SP-69 and MSS SP-58 (Type 3).

Features:

- Sizes 6" and above accommodate up to 4" thick insulation.
- Figure 41SD will accommodate larger insulation thicknesses, loads and dimensions.

Ordering: Specify pipe size, figure number and name.

Note: Galvanizing is not recommended for alloy products.



Note: This picture is representative of a typical Figure 295A. Distance between clamp ears beneath pipe may or may not be equal to upper gap.

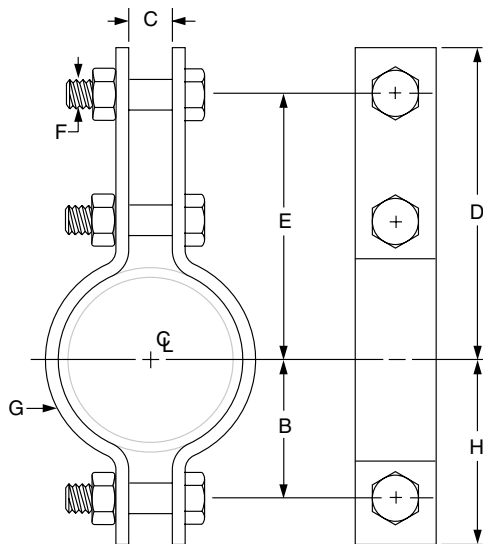


FIG. 295A: DIMENSIONS (IN) • LOADS (LBS) • WEIGHT (LBS)

Pipe Size	Max Load ■ For Service Temp				Weight	B	C	D	Rod Take Out E	F	G Width	H	
	650° F	750° F	1,000° F	1,050° F									
1½	1,545	1,410	1,000	745	2.3	1 ¹³ / ₁₆	1 ¹ / ₁₆	4 ⁷ / ₈	4 ¹ / ₈	5 ⁵ / ₈	1 ¹ / ₄	2 ³ / ₈	
2					2.6	2 ¹ / ₈		5 ⁵ / ₈	5 ¹ / ₈			2 ¹¹ / ₁₆	
2½					2.7	2 ⁵ / ₁₆		6 ¹ / ₈	5 ³ / ₈			2 ⁵ / ₁₆	
3					3.0	2 ³ / ₄		6 ¹¹ / ₁₆	5 ¹⁵ / ₁₆			3 ¹ / ₂	
4					6.7	3 ³ / ₈		7 ⁵ / ₈	6 ¹ / ₂			4 ¹ / ₂	
5	2,500	2,290	1,625	1,200	7.0	3 ¹⁵ / ₁₆	8 ¹ / ₈	7	3 ³ / ₄	2	5		
6	2,865	2,620	1,860	1,380	11.5	4 ³ / ₄	1 ⁷ / ₁₆	9 ¹⁵ / ₁₆	8 ⁹ / ₁₆	7 ⁷ / ₈	2 ¹ / ₂	6 ¹ / ₈	
8					13.2	5 ³ / ₄		10 ¹⁵ / ₁₆	9 ⁹ / ₁₆			7 ⁷ / ₈	
10					19.8	7 ¹ / ₁₆		12	10 ⁵ / ₈			1	8 ³ / ₄
12					22.3	8 ¹ / ₁₆		13	11 ⁵ / ₈			9 ⁵ / ₁₆	
14					37.7	9 ¹ / ₁₆		14 ⁵ / ₁₆	12 ¹¹ / ₁₆			10 ¹ / ₁₆	
16	4,300	3,915	2,795	2,060	41.4	10 ¹ / ₁₆	2	15 ⁵ / ₁₆	13 ¹¹ / ₁₆	1 ¹ / ₄	3	11 ¹ / ₁₆	
18					44.9	11 ¹ / ₁₆		16 ⁵ / ₁₆	14 ¹¹ / ₁₆			12 ¹ / ₁₆	
20					57.3	12 ³ / ₈		17 ¹ / ₂	15 ⁷ / ₈			14	
24					65.9	14 ³ / ₈		19 ¹ / ₂	17 ⁷ / ₈			1 ³ / ₈	16
								19 ¹ / ₂	17 ⁷ / ₈				16

■ Based on the allowable stresses shown in the ASME Code for Pressure Piping.

Fig 295H

Heavy Duty Double Bolt Pipe Clamp

Size Range: 6" through 36"

Material: Carbon steel

Finish: Plain or Hot-Dip Galvanized with Zinc Plated Bolts & Nuts

Service: Recommended for suspension of pipe requiring insulation within the limitation of temperature and loads shown below.

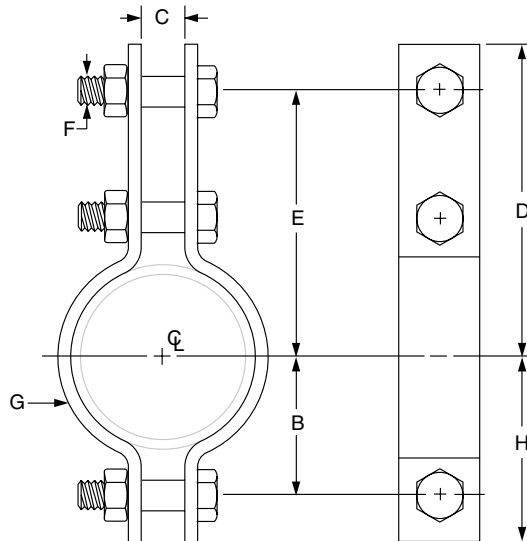
Maximum Temperature: Plain 750° F, Galvanized 450° F

Approvals: Complies with Federal Specification A-A-1192A (Type 3) WW-H-171-E (Type 3), ANSI/MSS SP-69 and MSS SP-58 (Type 3).

Features:

- Accommodates up to 4" thick insulation.
- Figure 41SD will accommodate larger insulation thicknesses, loads and dimensions.

Ordering: Specify pipe size, figure number, name and finish.



Note: This picture is representative of a typical Figure 295H. Distance between clamp ears beneath pipe may or may not be equal to upper gap.

FIG 295H: DIMENSIONS (IN) • LOADS (LBS) • WEIGHT (LBS)

Pipe Size	Max Load For Service Temp		Weight	B	C	D	Rod Take Out E	F	G Width	H
	650° F	750° F								
6	3,500	3,125	12.0	4 ³ / ₄	1 ³ / ₄	10 ¹³ / ₁₆	8 ¹⁵ / ₁₆	1	2 ¹ / ₂	6
8	4,800	4,285	18.5	6	2	11 ³ / ₈	10 ¹ / ₈	1 ¹ / ₈		7 ¹ / ₄
10	5,500	4,910	30.3	7 ¹ / ₄	2 ¹ / ₄	13 ³ / ₈	11 ³ / ₈	1 ¹ / ₄	3 ¹ / ₂	9
12	7,000	6,250	42.0	8 ⁵ / ₈	2 ¹ / ₂	14 ⁵ / ₁₆	12 ⁹ / ₁₆	1 ³ / ₈		10 ³ / ₈
14	9,500	8,485	60.0	9 ⁵ / ₈		3	15 ¹ / ₂	13 ¹ / ₂	1 ¹ / ₂	4
16	10,000	8,930	80.0	10 ⁷ / ₈	3 ¹ / ₂		17 ⁷ / ₈	14 ⁷ / ₈	1 ³ / ₄	4 ¹ / ₂
18	13,800	12,325	115.0	12 ¹ / ₂		4	18 ¹ / ₄	16 ¹ / ₄	2	4
20	15,300	13,665	140.0	13 ¹ / ₂	4 ¹ / ₂		19 ³ / ₄	17 ¹ / ₄		2 ¹ / ₄
24	16,300	14,555	190.0	15 ¹ / ₂		4 ¹ / ₂	22 ⁵ / ₁₆	19 ⁵ / ₁₆	2 ¹ / ₄	
28	18,000	–	354.0	18 ⁷ / ₈	4 ¹ / ₂		31 ³ / ₄	27 ¹ / ₄		2 ¹ / ₄
30	20,500	–	406.0	19 ⁷ / ₈		4 ¹ / ₂	32 ³ / ₄	28 ¹ / ₄	2 ¹ / ₄	
32	23,750	–	555.0	21 ³ / ₄	4 ¹ / ₂		36	31		2 ¹ / ₂
34	25,000	–	604.0	23 ³ / ₈		4 ¹ / ₂	37 ¹ / ₂	32 ¹ / ₂	2 ¹ / ₂	
36	28,000	–	678.0	24 ³ / ₈	4 ¹ / ₂		40 ¹ / ₄	34 ³ / ₄		2 ³ / ₄

Clamps may be furnished with square ends.



- Table of Contents
- Pictorial TOC
- General Notes
- Clevis Hangers & Shields
- Ring Hangers
- Pipe Clamps
- Riser Clamps
- U-Bolts & Straps
- CPVC
- AWWA
- Beam Clamps
- Ceiling Plates & Flanges
- Wall Brackets
- Welded Attachments
- Concrete Inserts & Attachments
- Rod & Eye Rods
- Rod Couplings & Turnbuckles
- Swivel Attachments
- Hardware & Accessories

RISER CLAMPS

Fig. 40

Riser Clamp – Standard

Size Range: 2" through 24"

Material: Carbon steel (CS), Alloy (A), or Stainless Steel (SS)

Finish: Plain or Hot-Dip Galvanized with Zinc Plated Fasteners

Maximum Temperature: Galvanized 450° F, 650° F (CS), 950° F (A) and 1,000° F (SS)

Service: Riser clamps are used for the support of vertical piping. Load is carried by shear lugs which are welded to the pipe. Shear lugs provided upon request. Local pipe wall stress evaluation available upon request.

Approvals: Complies with Federal Specification A-A-1192A (Type 42), ANSI/MSS SP-69 and MSS SP-58 (Type 42).

Ordering: Specify pipe size, material, figure number, name and finish.

Note: If different loads or dimensions are required, refer to Fig. 40 SD special design riser clamp.

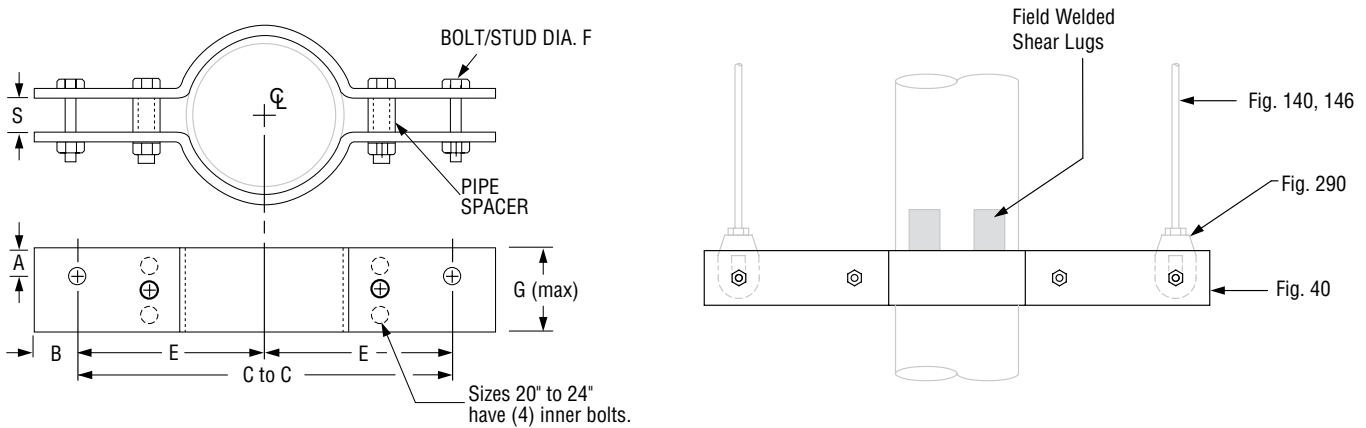


FIG. 40: DIMENSIONS (IN) • LOADS (LBS) • WEIGHT (LBS)

Pipe Size	Max Load		C-C	E	F (max)	G (max)	S	A (CS)	A (alloy) (SS)	B (max)	Maximum Weight Each			
	Rigid Assembly	Spring Assembly									CS	SS	Alloy	
2	900	1,800	18	9	1/2	2 1/2	3/4	1/4	7/8	2	18	15	18	
2 1/2			20	10							20	20	20	
3	1,500	3,000	22	11	3/4	3		1 1/2			30	25	30	
4											40	40	44	
5	2,200	4,400	27	13 1/2	7/8	4	2	1 1/8	45		40	45		
6									60		60	73		
8	3,000	6,000	30	15	1 1/4	6	1 1/2	1 1/4	1 1/8		3	82	82	82
10			157	157								157		
12	7,800	15,600	32	16	1 1/2	7	1 3/4	1 3/8	1 3/8	216		202	250	
14			228	228						263				
16	9,000	18,000	36	18	1 1/2	8	2	1 1/2	2	314		277	315	
18			338	338						377				
20	13,500	27,000	42	21	2	10	2 1/2	2 5/8	2 5/8	4 1/4		525	525	580
24			45	22 1/2								11	621	565

Fig. 261 (Formerly Afcon Fig. 400)

Extension Pipe or Riser Clamp

Size Range: 3/4" through 24"

Material: Carbon steel

Finish: Plain, Hot-Dip Galvanized with Zinc Plated Bolts & Nuts, Epoxy Coated or Painted.

Service: For support of stationary steel pipe risers, cast iron pipe or conduit. This product is not intended for use with hanger rods. For this application refer to Fig. 40 Riser Clamp, page 52.

Maximum Temperature: Plain 650° F, Galvanized and Epoxy 450° F

Approvals: Complies with Federal Specification A-A-1192A (Type 8) WW-H-171-E (Type 8), ANSI/MSS SP-69 and MSS SP-58 (Type 8). UL, ULC Listed (Sizes 1 1/2" - 8").

Installation: Clamp is fitted and bolted preferably below a coupling, hub or welded lugs on steel pipe. Bolt torques should be per industry standards (see page 276). Clamp is designed for standard steel pipe O.D. and this must be considered in sizing the riser for other types of piping.

Ordering: Specify pipe size, figure number, name and finish.



Note: Refer to Technical Data Section for cast iron soil pipe data.

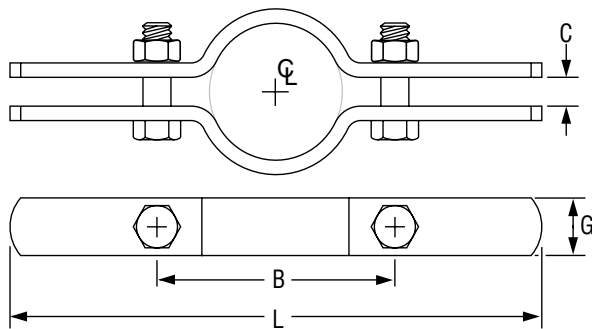


FIG. 261: DIMENSIONS (IN) • LOADS (LBS) • TORQUE (FT-LBS) • WEIGHT (LBS)

Pipe Size	Max Load	Weight	L	G Width	B	C	Bolt Diameter	Torque Values	
3/4	220	1.1	8 7/8	1	2 7/8	3/8	3/8	21	
1		1.1			3 3/8				
1 1/4	250	1.6	10		3 1/2				
1 1/2		1.6			3 3/8				
2	300	1.7	10 1/4		4 1/4	1/2	7/16		32
2 1/2	400	1.9	11 1/4		4 3/4				
3	500	1.9	11 3/8	5 1/2	1/2	1/2	46		
3 1/2	600	2.3	12 7/8	6 1/2					
4	750	2.4		7					
5	1,500	3.6	13 3/4	1 1/2	8	5/8	5/8	100	
6		4.0	14 3/4		9				
8	2,500	7.6	18 1/2	2	12	3/4	3/4	150	
10		11.1	20 1/4		13 3/4				
12	2,700	16.5	22 3/4	2 1/2	15 3/4	1	7/8	190	
14		17.7	24		17 1/4				
16	2,900	30.4	26	3	19 3/4	1	7/8	190	
18		33.8	28		21 3/4				
20		35.0	30		23 3/4				
24		82.0	36 3/4		30				

- Table of Contents
- Pictorial TOC
- General Notes
- Clevis Hangers & Shields
- Ring Hangers
- Pipe Clamps
- Riser Clamps**
- U-Bolts & Straps
- CPVC
- AWWA
- Beam Clamps
- Ceiling Plates & Flanges
- Wall Brackets
- Welded Attachments
- Concrete Inserts & Attachments
- Rod & Eye Rods
- Rod Couplings & Turnbuckles
- Swivel Attachments
- Hardware & Accessories

Fig. 261SS

Extension Pipe or Riser Clamp

Size Range: 1/2" through 12"

Material: 304 stainless steel

Service: For support of stationary steel pipe risers or conduit.

Maximum Temperature: 650° F

Approvals: Complies with Federal Specification A-A-1192A (Type 8) WW-H-171-E (Type 8), ANSI/MSS SP-69 and MSS SP-58 (Type 8).

Installation: Clamp is fitted and bolted below a coupling, hub or welded lugs on steel pipe (2 lugs up to 3" pipe, 4 lugs up to 12" pipe). Bolt torques should be per industry standards (see page 276).

Clamp is designed for standard steel pipe O.D. and this must be considered in sizing the riser for other types of piping.

Ordering: Specify pipe size, figure number, name and finish.

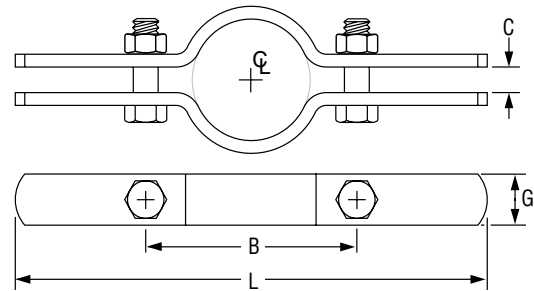


FIG. 261SS: DIMENSIONS (IN) • LOADS (LBS) • TORQUE (FT-LBS) • WEIGHT (LBS)

Pipe Size	Max Load		Lugs	Weight	L	G Width	B	C	Bolt Diameter	Torque Values		
	450° F	650° F										
1/2 - 3/4	185	165	2	1.1	8 7/8	1	2 7/8	3/8	3/8	21		
1	210	190		1.1			3 1/8					
1 1/4				1.6			3 1/2					
1 1/2	255	230		1.6	10 1/4		3 7/8					
2	340	305		1.7			4 1/4					
2 1/2	425	385		1.9	11 1/4		4 3/4				1/2	7/16
3	510	460	1.9	11 1/8	5 1/2							
4	635	570	4	2.4	12 7/8	1 1/2	7	1/2	1/2	46		
5	1,275	1,150		3.6	13 3/4		8					
6	1,360	1,225		4.0	14 3/4		9					
8	1,380	1,240		7.6	18 1/2	12	5/8				5/8	100
10	1,800	1,620		11.1	20 1/4	13 3/4						
12				16.5	22 3/4							

Fig. CT-121

Copper Tubing Riser Clamp

Size Range: 1/2" through 4"

Material: Carbon steel

Finish: Copper plated

Service: Recommended for support and steadying of copper tube risers, either insulated or non-insulated. This product is not intended for use with hanger rods.

Approvals: Complies with Federal Specification A-A-1192A (Type 8), WW-H-171-E (Type 8), ANSI/MSS SP-69 and MSS SP-58 (Type 8).

Service: For support and steadying of copper tubing risers.

Installation: Clamp is fitted and bolted preferably below a coupling or fitting on the tubing. Do not over tighten bolts.

Features: Rounded ears provide greater safety for personnel.

Ordering: Specify tube size, figure number, and name.

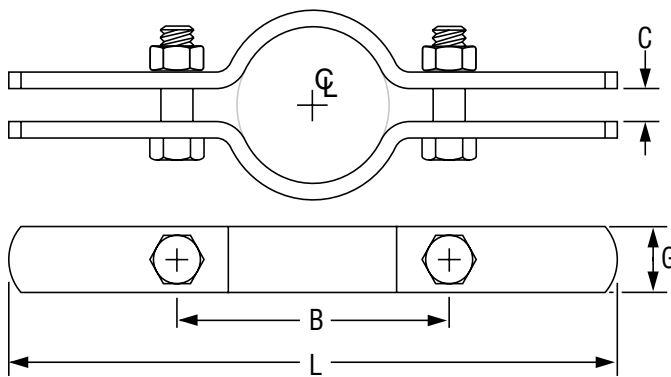


FIG. CT-121: DIMENSIONS (IN) • LOADS (LBS) • TORQUE (FT-LBS) • WEIGHT (LBS)

Tube Size	Max Load	Weight	L	G Width	B	C	Bolt Size	Torque Values
1/2	75	0.52	6 1/2	1	2 7/8	3/8	5/16	11
3/4		0.56	7		3 1/8			
1	120	0.94	9 3/8		3 1/2			
1 1/4		0.98	9 3/8		3 7/8			
1 1/2		1.50	10	4 1/4	1/2	3/8	21	
2	150	1.50	10 3/8	4 3/4				
2 1/2		1.70	11 13/16	5 1/2				
3		1.80	11 1/2	6 1/2				
3 1/2		1.90	12					
4	300	2.60	13	1	7		1/2	46

Note: Minimum loads per MSS SP only applicable to 1 1/4" and up.

U-BOLTS & STRAPS

Fig. 120

Light Weight U-Bolt

Size Range: 1/2" through 10"

Material: Carbon steel

Finish: Plain or Zinc Plated (Hot-Dip Galvanized optional)

Service: Recommended for support, or guide of relatively light loads. Normally used with two hex nuts.

Maximum Temperature: 650° F.

Ordering: Specify pipe size x rod size, figure number and name. Hex nuts must be ordered separately.

Note: The acceptability of galvanized coatings at temperatures above 450°F is at the discretion of the end user.

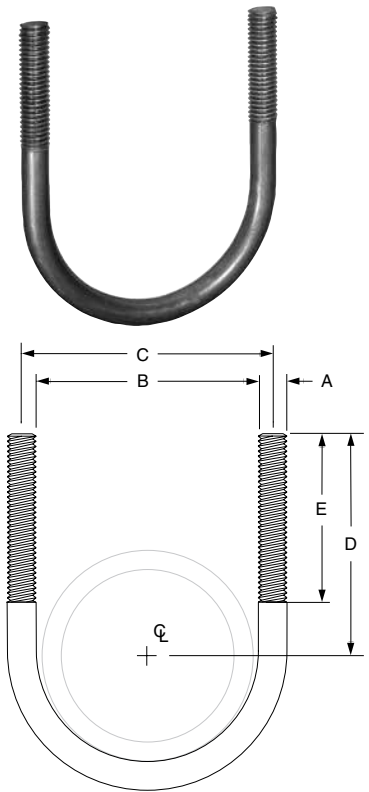


FIG. 120: DIMENSIONS (IN) • LOADS (LBS) • WEIGHTS (LBS)										
Pipe Size	Max Load	Weight	Rod Size A	B	C	D	E			
1/2	580	0.06	1/4	15/16	13/16	115/16	1 3/4			
3/4		0.07		1 1/8	1 3/8	2 1/16				
1		0.07		1 3/8	1 5/8	2 3/16				
1 1/4		0.08		1 11/16	1 15/16	2 3/8				
1 1/2		0.09		2	2 1/4	2 7/16				
2		0.10		2 7/16	2 11/16	2 11/16				
2 1/2	1,460	0.28	3/8	2 15/16	3 5/16	3 1/16	2			
3		0.31		3 9/16	3 15/16	3 3/8				
3 1/2		0.35		4 1/16	4 7/16	3 5/8				
4		0.38		4 9/16	4 13/16	3 7/8				
5		0.45		5 5/8	6	4 9/16				
6	2,700	0.95	1/2	6 3/4	7 1/4	5 1/16	2 1/4			
8		1.20		8 3/4	9 1/4	6 1/16				
10		4,320		2.30	5/8	10 7/8		11 1/2	7 1/4	2 1/2

Fig. 137C: Plastic Coated

U-Bolts

Size Range: 1/2" through 8"

Material: Carbon steel U-bolt and four finished hex nuts. Formed portion of the U-bolt is plastic coated.

Maximum Temperature: 225° F

Service: Recommended for support or guide for glass, copper, brass and aluminum pipe.

Approvals: Complies with Federal Specification A-A-1192A (Type 24), WW-H-171-E (Type 24), ANSI/MSS SP-69 and MSS SP-58 (Type 24).

Ordering: Specify pipe size x rod size (e.g., 2 x 3/8), figure number and name.

If hex nuts are not required, specify "without hex nuts".

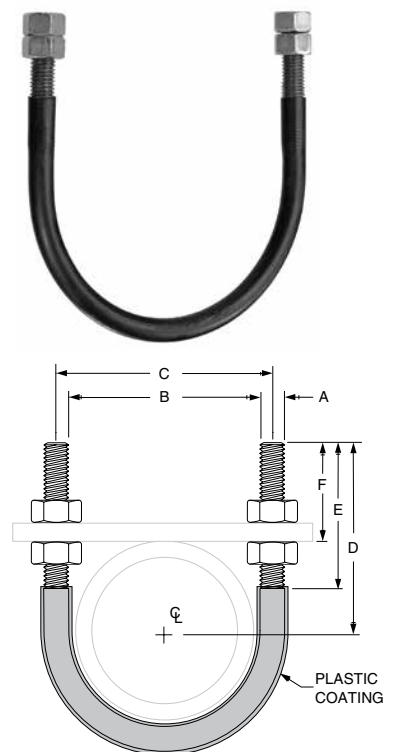


FIG. 137C: DIMENSIONS (IN) LOADS (LBS) • WEIGHTS (LBS)								
Pipe Size	Rod Size A	Max Load	Weight	B	C	D	E	F
1/2	1/4	580	0.11	15/16	13/16	2 3/4	2 7/8	2 5/16
3/4			0.12	1 1/8	1 3/8			2 7/32
1			0.12	1 3/8	1 5/8			2 3/32
1 1/4	3/8	1,460	0.28	1 11/16	2 1/16	2 7/8	2 1/2	2 1/32
1 1/2			0.30	2	2 3/8	3		2 1/16
2			0.33	2 7/16	2 13/16	3 1/4		2 5/16
2 1/2			0.73	2 15/16	3 7/16	3 3/4		2 1/4
3	1/2	2,700	0.78	3 9/16	4 1/16	4	3	2 1/4
3 1/2			0.84	4 1/16	4 9/16	4 1/4		2 7/32
4			0.90	4 9/16	5 1/16	4 1/2		2 13/16
5			1.00	5 5/8	6 1/8	5		2 13/16
6			2.00	6 3/4	7 3/8	6 1/8		2 13/16
8	5/8	4,320	2.30	8 3/4	9 3/8	7 1/8	3 1/2	2 13/16

Fig. 137: Standard U-bolt Fig. 137S*: Special U-bolt (non-standard)

Size Range: 1/2" through 36"

Material: Carbon steel U-bolt and four finished hex nuts

Finish: Plain, Fig. 137: Zinc Plated (Hot-Dip Galvanized optional) or Fig. 137S: Hot-Dip Galvanized (HDG not available for rod size 1/4". Stainless steel is offered as an alternative.)

Service: Recommended for support, or guide of heavy loads; often employed in power, process plant and marine service.

Approvals: Complies with Federal Specification A-A-1192A (Type 24), WW-H-171-E (Type 24), ANSI/MSS SP-69 and MSS SP-58 (Type 24).

Ordering Fig. 137: Specify pipe size x rod size (e.g., 6 x 5/8), figure number, name.

U-bolt will be furnished with longer tangents D or with longer threads E

if so required and ordered. If hex nuts are not required, specify "without hex nuts".

Ordering Fig. 137S: Specify figure number, name, material specification, dimensions A, B, C, D, and E, and "with hex nuts" or "without hex nuts".

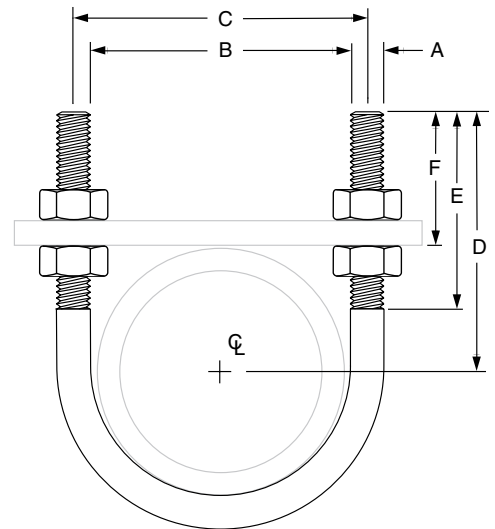
Note: The acceptability of galvanized coatings at temperatures above 450°F is at the discretion of the end user.



FIG. 137: DIMENSIONS (IN) • LOADS (LBS) • WEIGHTS (LBS) ■

Pipe Size	Rod Size A	Max Normal Load		650° F Max Side Load	Wt.	B	C	D	E	F	
		650° F	750° F								
1/2	1/4	580	454	145	0.11	15/16	1 1/16	2 3/4	2 1/8	2 5/16	
3/4					0.12	1 1/8	1 3/8			2 7/32	
1					0.12	1 3/8	1 5/8			2 3/32	
1 1/4	3/8	1,460	1,144	365	0.28	1 11/16	2 1/16	2 7/8	2 1/2	2 1/32	
1 1/2					0.30	2	2 3/8	3		2 1/16	
2					0.33	2 1/16	2 13/16	3 1/4		2 1/16	
2 1/2	1/2	2,700	2,114	675	0.73	2 5/16	3 1/16	3 3/4	3	2 5/16	
3					0.78	3 3/16	4 1/16	4		2 1/4	
3 1/2					0.84	4 1/16	4 9/16	4 1/4		2 1/4	
4					0.90	4 9/16	5 1/16	4 1/2		2 7/32	
5					1.0	5 5/8	6 1/8	5		2 1/4	
6	5/8	4,320	3,382	1,080	2.0	6 3/4	7 3/8	6 1/8	3 1/2	2 13/16	
8					2.3	8 3/4	9 3/8	7 1/8		2 13/16	
10	3/4	6,460	5,060	1,615	4.9	10 7/8	11 5/8	8 3/8	4	3	
12					7.7	12 7/8	13 3/4	9 5/8		3 1/4	
14					8.3	14 1/8	15	10 1/4		3 1/4	
16	7/8	9,960	7,016	2,240	9.2	16 1/8	17	11 1/4	4 1/4	3 1/4	
18					13.5	18 1/8	19 1/8	12 5/8		3 1/4	
20					14.6	20 1/8	21 1/8	13 3/8		3 1/4	
24					16.9	24 1/8	25 1/8	15 5/8		4 3/4	3 5/8
30					19.1	30 1/8	31 1/8	18 5/8		4 3/4	3 5/8
36	23.2	36 1/8	37 1/8	21 5/8	4 3/4	3 5/8					

■ Loads, weights and dimensions shown do not apply for Fig. 137S. Max load rating for carbon steel is based on 2 x load rating for rod. Max load rating for stainless steel is 0.85 times the maximum stated load ratings listed above.



*When the combination of a normal load and a side load occurs, a straight line interaction formula may be used to determine if the Fig. 137 is still within the allowable stress range:

$$P_n/P_{na} + P_s/P_{sa} \leq 1$$

Where:

P_n = actual applied normal load;

P_{na} = allowable normal load for the Fig. 137;

P_s = actual applied side load;

P_{sa} = allowable side load for the Fig. 137

Nuts must be snug tight in installation to achieve side loads shown.

Fig. 137SS

Stainless Steel U-Bolt

Size Range: 1/2" through 12"

Material: Stainless steel U-bolt and four finished hex nuts

Finish: 304 stainless steel

Service: Recommended for support, or guide of heavy loads; often employed in power, process plant and marine service.

Approvals: Complies with Federal Specification A-A-1192A (Type 24), WW-H-171-E (Type 24), ANSI/MSS SP-69 and MSS SP-58 (Type 24).

Ordering: Specify pipe size x rod size (e.g., 6 x 5/8), figure number and name. If hex nuts are not required, specify "without hex nuts".

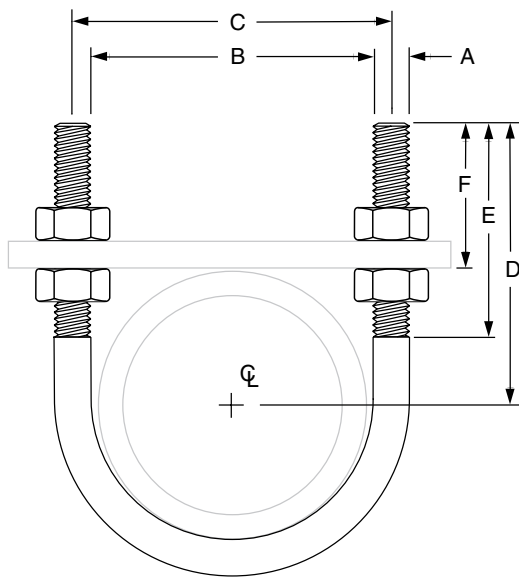


FIG. 137SS: DIMENSIONS (IN) • LOADS (LBS) • WEIGHTS (LBS)												
Pipe Size	Rod Size A	Max Normal Load		Max Side Load		Wt.	B	C	D	E	F	
		450° F	650° F	450° F	650° F							
1/2	1/4	500	454	120	110	0.11	15/16	13/16	2 3/4	2 1/8	2 5/16	
3/4						0.12	1 1/8	1 3/8			2 7/32	
1						0.12	1 3/8	1 5/8			2 3/32	
1 1/4	3/8	1,240	1,144	310	280	0.28	1 11/16	2 1/16	2 7/8	2 1/2	2 1/32	
1 1/2						0.30	2	2 3/8			3	2 1/16
2						0.33	2 7/16	2 13/16			3 1/4	2 1/16
2 1/2	1/2	2,300	2,070	570	515	0.73	2 15/16	3 7/16	3 3/4	3	2 5/16	
3						0.78	3 9/16	4 1/16			4	2 1/4
4						0.90	4 9/16	5 1/16			4 1/2	2 7/32
5						1.0	5 5/8	6 1/8			5	
6						2.0	6 3/4	7 3/8			6 1/8	3 1/2
8	2.3	8 3/4	9 3/8	7 1/8								
10	3/4	5,490	4,940	1,370	1,235	4.9	10 7/8	11 5/8	8 3/8	4	3	
12	7/8	8,400	7,560	2,115	1,905	7.7	12 7/8	13 3/4	9 5/8		3 1/4	

*When the combination of a normal load and a side load occurs, a straight line interaction formula may be used to determine if the Fig. 137 is still within the allowable stress range:

$$P_n/P_{na} + P_s/P_{sa} \leq 1$$

Where:

P_n = actual applied normal load;

P_{na} = allowable normal load for the Fig. 137;

P_s = actual applied side load;

P_{sa} = allowable side load for the Fig. 137

Nuts must be snug tight in installation to achieve side loads shown.

Fig. 126

One-Hole Clamp

Size Range: 3/8" through 4"

Material: Malleable iron

Finish: Plain or Zinc Plated (Hot-Dip Galvanized optional)

Service: For support of standard conduit, cable and steel pipe on walls or sides of beams.

Not recommended for use horizontally on ceilings, bottoms of beams and similar installations since the factor of safety is greatly reduced when so used.

Maximum Temperature: 450° F

Ordering: Specify pipe size, figure number, name and finish. Specify nominal size of conduit or pipe or outside diameter of lead cable with which the clamp is to be used.

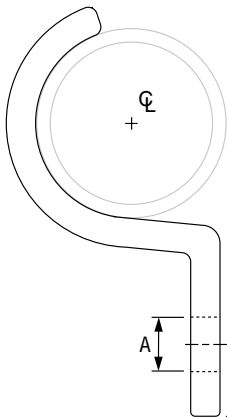


FIG. 126: DIMENSIONS (IN) • WEIGHTS (LBS)

Pipe Size	Cable Size or Outside Dia. of Conduit ■	Weight	Dia. of Hole - A	Size Screw/Bolt
3/8	0.67	0.03	1/4	No. 10
1/2	0.84	0.03	5/16	1/4
3/4	1.05	0.05		
1	1.31	0.09		
1 1/4	1.66	0.12	3/8	3/8
1 1/2	1.90	0.16		
2	2.37	0.25	7/16	5/8
2 1/2	2.87	0.49		
3	3.50	0.82		
4	4.50	1.30	3/4	5/8

■ Screws or bolts not included

Fig. 243

Pipe Strap – Square

Size Range: 1/2" through 6" pipe

Material: Carbon steel

Finish: Plain

Service: Restraint of pipe in specified direction while permitting movement in non-restrained direction.

Maximum Temperature: 650° F

Ordering: Specify figure number, name, and pipe size. Larger sizes available upon request.



FIG. 243: DIMENSIONS (IN) • LOADS (LBS) • WEIGHT (LBS)

Pipe Size	L	T	W	Rated Load Pn	Weight
1/2	3	1/4	2	600	0.71
3/4	3 1/2				0.84
1	4				0.98
1 1/4	4 1/2	3/8	3	1,500	2.64
1 1/2	5				2.94
2	5 1/2				3.39
2 1/2	6	1/2	4	2,500	5.20
3	6 1/2				7.93
4	7 1/2				9.63
6	9 3/4				19.97

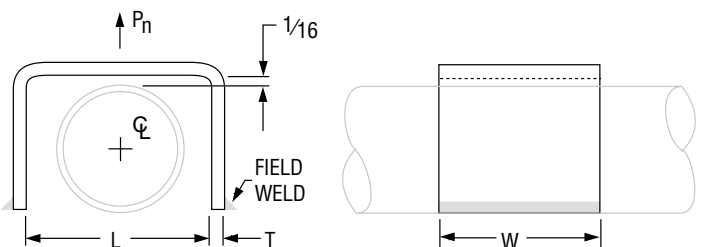


Fig. 244

Pipe Strap – Round

Size Range: 1/2" through 6" pipe

Material: Carbon steel

Finish: Plain

Service: Restraint of pipe in specified direction while permitting movement in non-restrained direction.

Maximum Temperature: 650° F

Ordering: Specify figure number, name, and pipe size. Larger sizes available upon request.



**FIG. 244:
DIMENSIONS (IN) • LOADS (LBS) • WEIGHT (LBS)**

Pipe Size	Rated Load		L	T	W	Weight
	Ps	Pn				
1/2	250	1,500	1	1/4	2	0.39
3/4			1 1/16			0.47
1			1 7/16			0.56
1 1/4	500	2,000	1 3/4	3/8	3	1.62
1 1/2			2			1.81
2			2 1/2			2.20
2 1/2	650	2,300	3	1/2	4	3.56
3			3 3/8			5.74
4			4 3/4			7.16
6			6 3/4			15.32

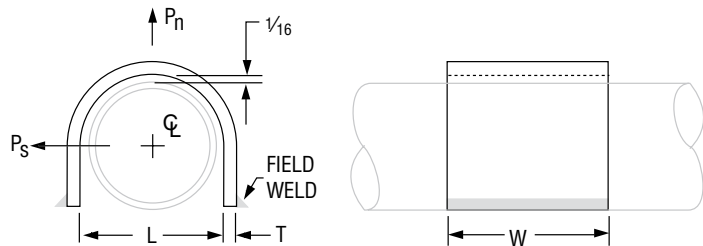


Fig. 262 (Formerly Afcon Fig. 500)

Strap Short

Size Range: 1/2" through 4"

Material: Carbon steel

Finish: Plain or Zinc Plated (Hot-Dip Galvanized optional)

Maximum Temperature: 650° F

Approvals: Complies with Federal Specification A-A-1192A (Type 26), WW-H-171-E (Type 26), ANSI/MSS SP-69 and MSS SP-58 (Type 26).

Ordering: Specify pipe size, figure number, name and finish.

Note: The acceptability of galvanized coatings at temperatures above 450°F is at the discretion of the end user.

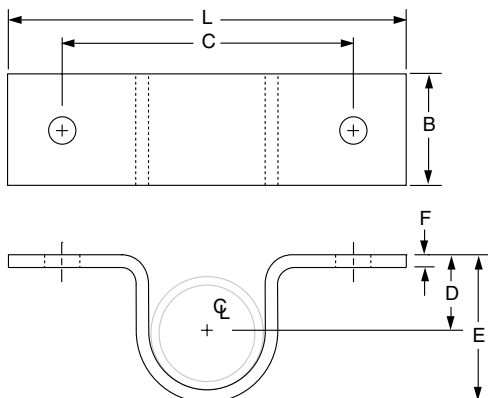


FIG. 262: DIMENSIONS (IN) • LOADS (LBS) • WEIGHTS (LBS)

Pipe Size	Max Load		Weight	Screw or Bolt Size ■	L	B	C	D	E	F
	w/Lag Screws	w/Bolts to Steel								
1/2	300	410	0.20	Two #18 x 2 steel wood screws or two 3/8" bolts to steel	4	1 1/4	2 3/4	1/2	1 1/8	1/8
3/4			4 3/8		3 1/8		1 1/16	1 7/16		
1			4 3/4		3 1/2		1 1/16	1 5/8		
1 1/4			5		3 3/4		1 1/16	2 1/8		
1 1/2			5 3/8		4 1/8		1 3/8	2 1/2		
2			6 3/8		5 1/8		1 1/4	2 3/4		
2 1/2	450	610	1.40	Two #18 x 3 steel wood screws or two 3/8" bolts to steel	6 13/16	1 1/2	5 9/16	1 3/4	3 3/8	1/4
3			7 5/16		6 1/16		1 7/8	4		
3 1/2			7 13/16		6 9/16		2 3/16	4 5/8		
4			8 3/8		7 1/8		2 5/8	5		

■ Screws or bolts not included

Fig. 266

Light Duty Two Hole Pipe Strap

Size Range: 3/8" through 4"

Material: Carbon steel, Pre-Galvanized

Ordering: Specify pipe size, figure number, name and finish.

Note: Intended for restraint of pipe in horizontal or vertical installations.

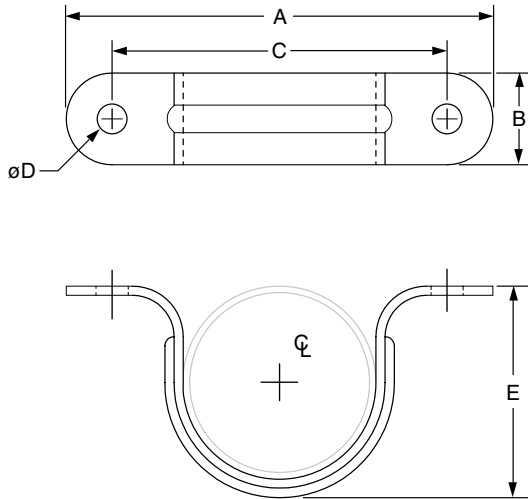


FIG. 266: DIMENSIONS (IN) • WEIGHTS (LBS)

Pipe Size	Weight per 100pcs	A	B	C	øD	E
3/8	2	2.40	0.75	0.67	0.25	0.70
1/2	3	2.52		0.83		0.87
3/4	5	2.68		1.06		1.10
1	8	3.15		1.30		1.34
1 1/4	9	3.66		1.65		1.65
1 1/2	11	4.06		1.89		1.87
2	13	5.04		2.36		2.36
2 1/2	15	5.67		2.87		2.95
3	16	6.42		3.50		3.51
4	39	7.72		4.49		4.49

Screws or bolts not included.

Table of Contents

Pictorial TOC

General Notes

Clevis Hangers & Shields

Ring Hangers

Pipe Clamps

Riser Clamps

U-Bolts & Straps

CPVC

AWWA

Beam Clamps

Ceiling Plates & Flanges

Wall Brackets

Welded Attachments

Concrete Inserts & Attachments

Rod & Eye Rods

Rod Couplings & Turnbuckles

Swivel Attachments

Hardware & Accessories

Fig. 184 (Formerly Afcon Fig. 515) Double Offset Hanger and Restrainer

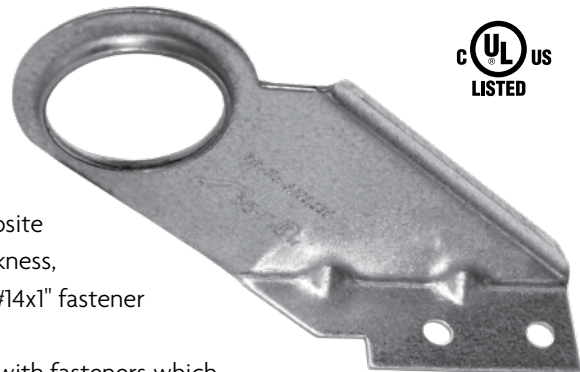
Size Range: 3/4" through 1"

Material: Carbon Steel

Finish: Pre-Galvanized per ASTM A653

Service:

- Hanger and surge restraint for horizontal CPVC piping when installed on the side of the supporting structure.
- Listed with hardware provided on structural wood beams and composite wood beams (1" minimum). For wood structures with less than 1" thickness, wood blocks may be placed on the backside of the wood structure. #14x1" fastener provided must be fully engaged in the wood block.
- May be installed with concrete, steel, and other structural members with fasteners which comply with the requirements of NFPA 13.



Approvals: cULus Listed

Installation:

- Slide CPVC pipe through the double offset hanger and restrainer.
- Secure the hanger to the supporting structure with the screws provided or with listed fasteners.

Features:

- Beveled edge design helps protect the CPVC pipe from any rough surface and eliminates pipe abrasion.
- Easily attaches to wood structure with #14 x 1" hex washer head self-threading screw supplied with product. No pre-drilling required.
- Bottom of pipe is offset 1 1/2" from the structure. Eliminates wooden spacer blocks

Ordering: Specify CPVC pipe size, figure number and description.

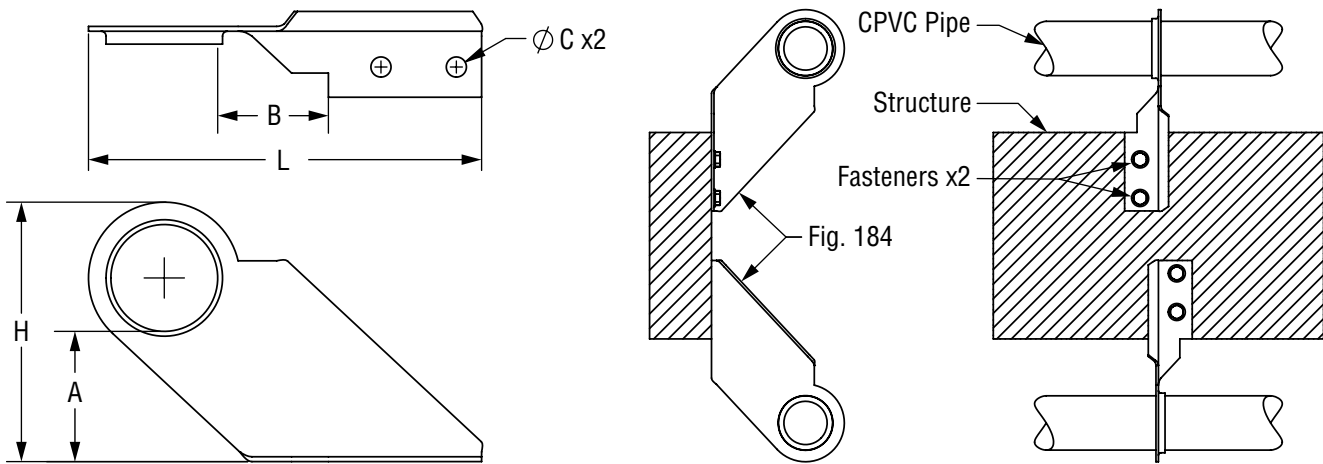


FIG. 184: DIMENSIONS (IN) • WEIGHT (LBS)

CPVC Pipe Size	A	B	ØC	H	L	Max. Hanger Spacing (FT.)	Approx. Weight/100
3/4	1 1/2	1 1/2	1/4	3 3/8	5 3/8	5 1/2	17
1	1 1/2	1 1/2	1/4	3 3/8	5 3/8	6	17

Fig. 185 (Formerly Afcon Fig. 513)

One Hole Pipe Strap

Size Range: 3/4" through 2"

Finish: Zinc Plated Steel (Hot-Dip Galvanized optional)

Service: Hanger for CPVC pipe in the horizontal position on the side of structural wood beams and Steel 20 Ga. (min) with hanger tab in the upward position only (Fig. A). It can also be used as a guide to limit movement of vertical CPVC pipe with the tab in the horizontal position.

Approvals: UL and ULC Listed.

Installation:

- Place hanger over pipe.
- Secure hanger to mounting surface with screws provided.
- Steel applications require one (1) #14 x 1" hex washer head self-drilling TEK screw. Not Supplied. Part Number STD-0090.

Features:

- Beveled edge design helps protect the CPVC pipe from any rough surface.
- Easily attaches to wood structure with #10 x 1" hex washer head self threading screw supplied with product. No pre-drilling required.

Ordering: Specify CPVC pipe size, figure number and description.

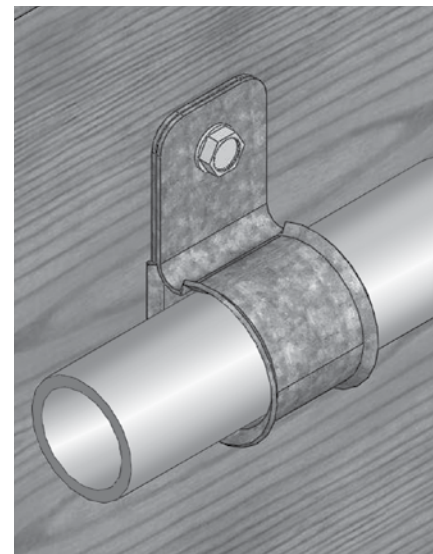
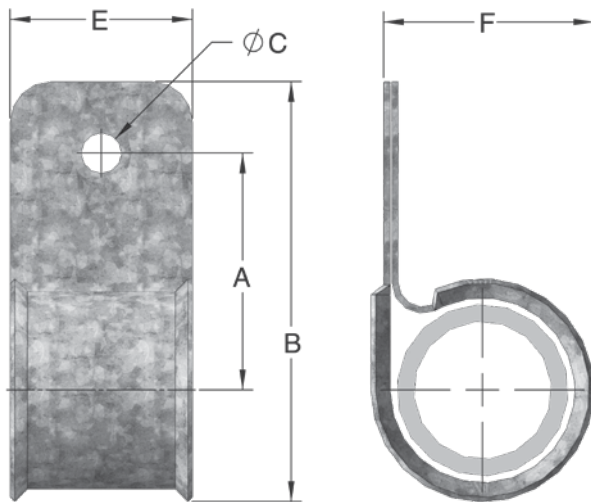


Fig. A

FIG. 185: DIMENSIONS (IN) • WEIGHT (LBS)

CPVC Pipe Size	A	B	ØC	E	F	Max. Hanger Spacing (FT.)	Approx. Weight/100 (lbs)
3/4	1 1/16	2 1/2	1/4	1 1/8	1 1/4	5 1/2	8
1	1 3/4	2 7/8	1/4	1 1/8	1 1/2	6	9
1 1/4	1 11/16	3	1/4	1 1/8	1 7/8	6 1/2	10
1 1/2	1 7/8	3 7/16	1/4	1 1/8	2 1/8	7	12
2	2	3 3/8	1/4	1 1/8	2 5/8	8	14

- Table of Contents
- Pictorial TOC
- General Notes
- Clevis Hangers & Shields
- Ring Hangers
- Pipe Clamps
- Riser Clamps
- U-Bolts & Straps
- CPVC**
- AWWA
- Beam Clamps
- Ceiling Plates & Flanges
- Wall Brackets
- Welded Attachments
- Concrete Inserts & Attachments
- Rod & Eye Rods
- Rod Couplings & Turnbuckles
- Swivel Attachments
- Hardware & Accessories

Fig. 186 (Formerly Afcon Fig. 510)

Two Hole Pipe Strap

Size Range: 3/4" through 2"

Finish: Zinc Plated Steel (Hot-Dip Galvanized optional)

Service: Hanger for CPVC pipe in the horizontal position on the bottom and side of structural wood beams, composite beams and Steel 20 Ga. (min.) (Fig. A, C respectively). Can be used as a restrainer when installed on top of structural wood beams (Fig. B), for limiting pipe movement due to thrust loads during sprinkler system start-up. It can also be used as a guide to limit movement for pipe in the vertical position. When used on composite wood beams, web thickness must be 3/8" or greater.

Approvals: UL and ULC Listed.

Installation:

- Snap hanger over pipe.
- Secure hanger to mounting surface with screws provided.
- Do not make adjustments to hanger mounting flanges that result in clamping the pipe to the mounting surface. Pipe must be allowed to move freely through hanger.
- Steel applications require two (2) #14 x 1" hex washer head self-drilling TEK screws. Not Supplied. Part Number STD-0090.

Features:

- Beveled edge design helps protect the CPVC pipe from any rough surface.
- Easily attaches to wood structure with #10 x 1" hex washer head self threading screw supplied with product. No pre-drilling required.

Ordering: Specify CPVC pipe size, figure number and description.

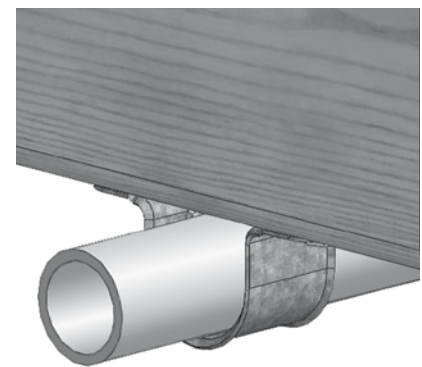


Fig. A

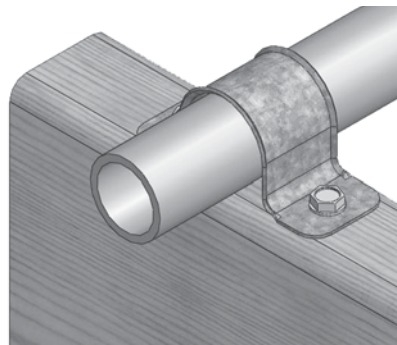
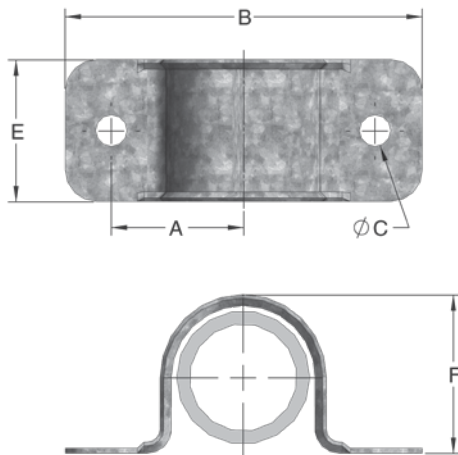


Fig. B

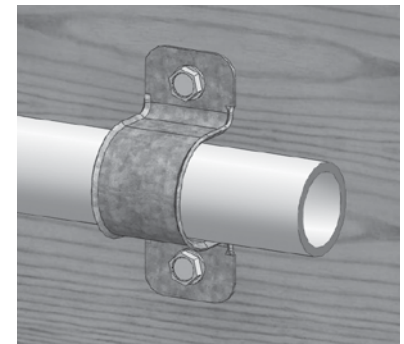


Fig. C

FIG. 186: DIMENSIONS (IN) • WEIGHT (LBS)

CPVC Pipe Size	A	B	ØC	E	F	Max. Hanger Spacing (FT.)	Approx. Weight/100 (lbs)
3/4	1	2 ¹³ / ₁₆	1/4	1 ¹ / ₈	1 ¹ / ₈	5 ¹ / ₂	5
1	1 ¹ / ₄	3 ¹ / ₄	1/4	1 ¹ / ₈	1 ¹ / ₂	6	6
1 ¹ / ₄	1 ⁵ / ₁₆	3 ³ / ₈	1/4	1 ¹ / ₈	1 ¹¹ / ₁₆	6 ¹ / ₂	7
1 ¹ / ₂	1 ⁹ / ₁₆	3 ⁷ / ₈	1/4	1 ¹ / ₈	2 ¹ / ₈	7	8
2	1 ¹³ / ₁₆	4 ⁵ / ₁₆	1/4	1 ¹ / ₈	2 ⁹ / ₁₆	8	9

Fig. 187 (Formerly Afcon Fig. 511)

Two Hole 90° Side Mount Strap

Size Range: 3/4" through 2"

Finish: Zinc Plated Steel (Hot-Dip Galvanized optional)

Service: Hanger for CPVC pipe in the horizontal position on the bottom of structural wood beams and Steel 20 Ga. (min.) (Fig. A). *Can be used as a restrainer, only in Steel 20 Ga. (min) (Fig. B).* During installation, adjust hanger mounting flanges such that pipe contacts both mounting surface and hanger, minimizing vertical pipe movement.

Approvals: UL and ULC Listed.

Installation:

- Snap hanger over pipe.
- Secure hanger to mounting surface with screws provided.
- Do not anchor tightly to mounting surface. Pipe must be allowed to move freely through hanger.
- Steel applications require two (2) #14 x 1" hex washer head self-drilling TEK screws. Not Supplied. Part Number STD-0090.

Features:

- Beveled edge design helps protect the CPVC pipe from any rough surface.
- Easily attaches to wood structure with #10 x 1" hex washer head self threading screw supplied with product. No pre-drilling required.

Ordering: Specify CPVC pipe size, figure number and description.

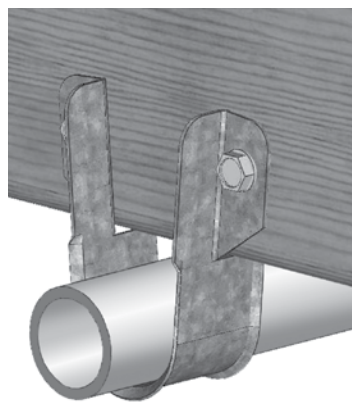
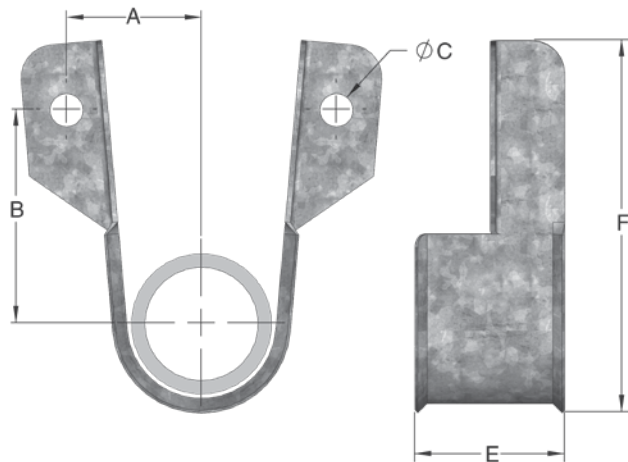


Fig. A

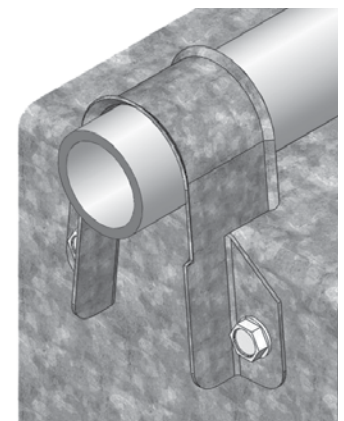


Fig. B

FIG. 187: DIMENSIONS (IN) • WEIGHT (LBS)

CPVC Pipe Size	A	B	øC	E	F	Max. Hanger Spacing (FT.)	Approx. Weight/100 (lbs)
3/4	1	1½	¼	1½	2¾	5½	5
1	1⅛	1½	¼	1½	2 ¹³ / ₁₆	6	6
1¼	1 ⁵ / ₁₆	1¾	¼	1½	3¼	6½	7
1½	1½	1⅞	¼	1½	3½	7	8
2	1¾	2	¼	1½	3 ⁷ / ₈	8	9

- Table of Contents
- Pictorial TOC
- General Notes
- Clevis Hangers & Shields
- Ring Hangers
- Pipe Clamps
- Riser Clamps
- U-Bolts & Straps
- CPVC
- AWWA
- Beam Clamps
- Ceiling Plates & Flanges
- Wall Brackets
- Welded Attachments
- Concrete Inserts & Attachments
- Rod & Eye Rods
- Rod Couplings & Turnbuckles
- Swivel Attachments
- Hardware & Accessories

Fig. 188

Two Hole Standoff Strap

Size Range: 3/4" through 2"

Finish: Zinc Plated Steel (Hot-Dip Galvanized optional)

Service: Hanger for CPVC pipe in the horizontal position on the bottom of structural wood beams and steel 20ga. min. (Fig. B). It can also be used as a guide to limit movement for a pipe in the horizontal/vertical position on the side of structural wood beams, composite wood beams and steel 20ga. min. (Fig. A).

Approvals: UL and ULC Listed.

Installation:

- Snap hanger over pipe.
- Position hanger back around pipe but allow for pipe movement.
- Secure hanger to mounting surface with screws provided. Recheck to insure that the pipe is allowed to move freely through hanger.
- Steel applications require two (2) #14 x 1" hex washer head self-drilling TEK screws. Not Supplied. Part Number STD-0090.

Features:

- Beveled edge design helps protect the CPVC pipe from any rough surface.
- Easily attaches to wood structure with #10 x 1" hex washer head self threading screw supplied with product. No pre-drilling required.
- Eliminates wooden spacer blocks.

Ordering: Specify CPVC pipe size, figure number and description.

Note: If UL listed restraint is required, use Anvil Fig. 188R (Formerly Afcon Fig. 514) on page 67.

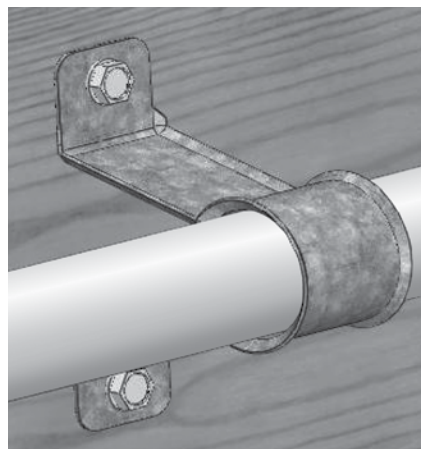
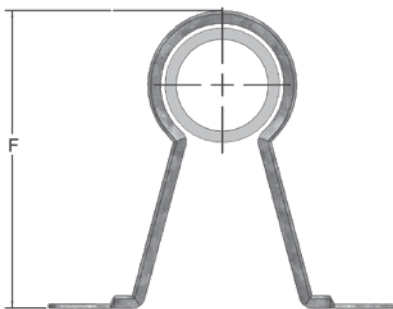
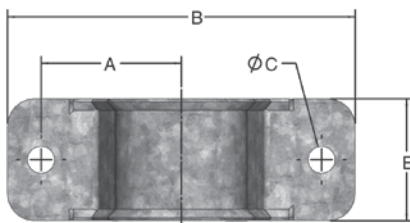
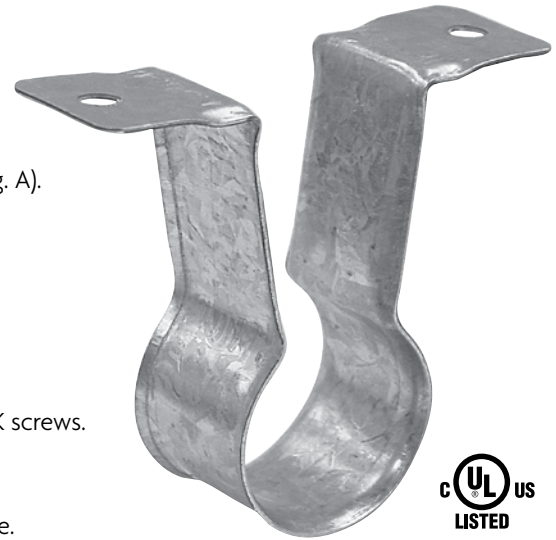


Fig. A

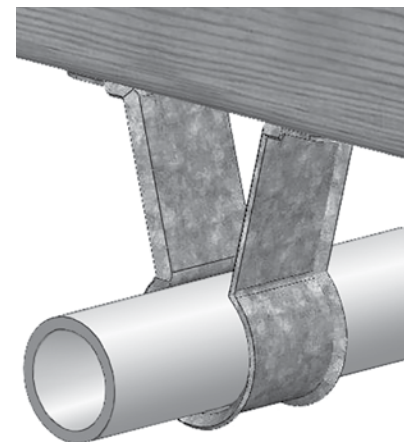


Fig. B

FIG. 188: DIMENSIONS (IN) • WEIGHT (LBS)

CPVC Pipe Size	A	B	ØC	E	F	Max. Hanger Spacing (FT.)	Approx. Weight/100 (lbs)
3/4	1 1/16	3/4	1/4	1 1/8	2 3/4	5 1/2	5
1	1 3/8	3 3/8	1/4	1 1/8	3	6	6
1 1/4	1 1/2	3 11/16	1/4	1 1/8	3 3/16	6 1/2	7
1 1/2	1 7/8	4 3/8	1/4	1 1/8	3 3/16	7	8
2	2	4 1/2	1/4	1 1/8	4 1/8	8	9

Fig. 188R (Formerly Afcon Fig. 514) Two Hole Standoff and Restrainer

Size Range: 3/4" through 2"

Material: Carbon Steel

Finish: Pre-Galvanized per ASTM A653

Service:

- Hanger and surge restraint for horizontal CPVC piping when installed on the top, bottom, and side of the supporting structure.
- Guide for vertical CPVC piping when installed on the side of the supporting structure.
- Horizontal and vertical seismic restraint per NFPA 13-2016 requirements.
- Listed with hardware provided on structural wood beams and composite wood beams (1" minimum). Listed with steel (18ga minimum) with two (2) #14x1" or 1/4"x1" hex washer head self-drilling TEK screws. For wood structures with less than 1" thickness, wood blocks may be placed on the backside of the wood structure. #10x1" fastener provided must be fully engaged in the wood block.
- May be installed with concrete, steel structural members, and other structural members with fasteners which comply with the requirements of NFPA 13.

Approvals: cULus Listed

Patents: No. 6,648,278

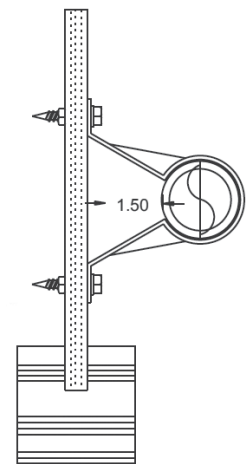
Installation:

- Snap hanger over pipe. If needed, squeeze strap back around pipe.
- CPVC pipe must be allowed to slide freely through the Fig. 188R.
- Secure hanger to mounting surface with screws provided or with listed fasteners.

Features:

- Beveled edge design helps protect the CPVC pipe from any rough surface and eliminates pipe abrasion.
- Easily attaches to wood structure with #10 x 1" hex washer head self-threading screw supplied with product. No pre-drilling required.
- Bottom of pipe is offset 1/2" from the structure. Eliminates wooden spacer blocks.

Ordering: Specify CPVC pipe size, figure number and description.



Installation - Backing Nut
 Hanger = 1 - at top fastener
 Restraint = 2 - on each fastener

Per NFPA-13D and NFPA-13R

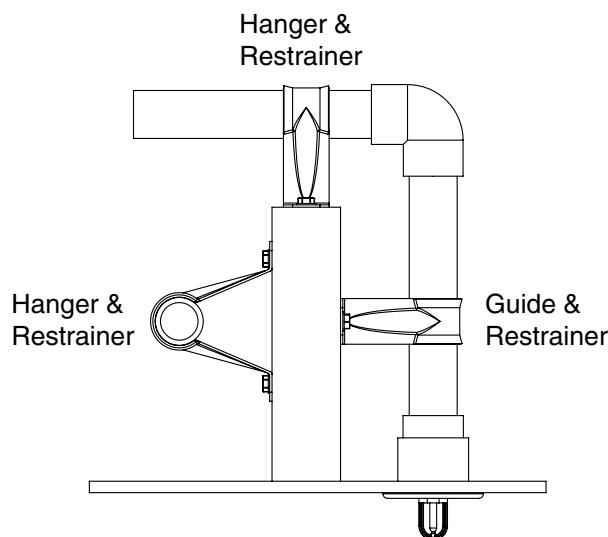
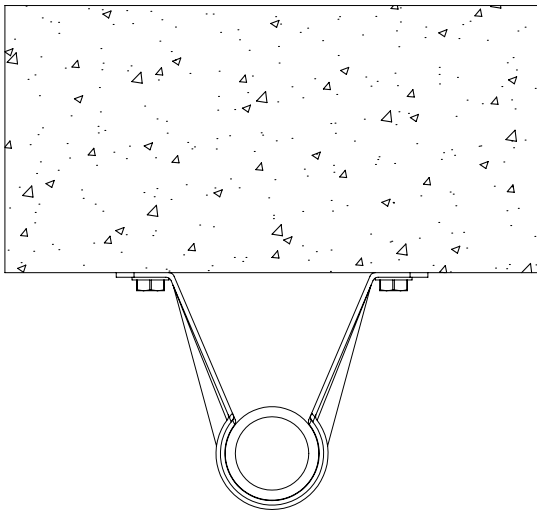


Table of Contents
 Pictorial TOC
 General Notes
 Clevis Hangers & Shields
 Ring Hangers
 Pipe Clamps
 Riser Clamps
 U-Bolts & Straps
CPVC
 AWWA
 Beam Clamps
 Ceiling Plates & Flanges
 Wall Brackets
 Welded Attachments
 Concrete Inserts & Attachments
 Rod & Eye Rods
 Rod Couplings & Turnbuckles
 Swivel Attachments
 Hardware & Accessories

Fig. 188R (Formerly Afcon Fig. 514)

Two Hole Standoff and Restrainer (cont.)



Hanger and Restrainer

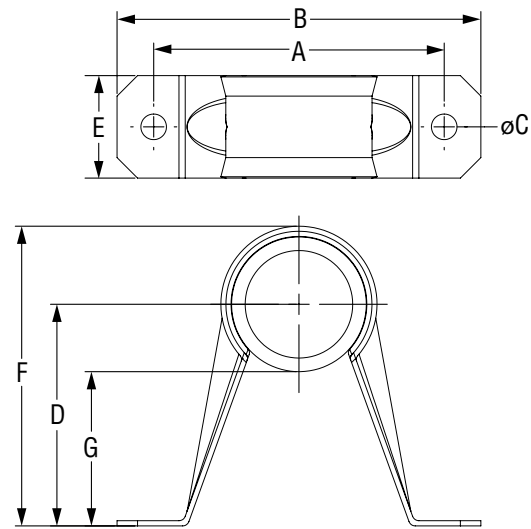


FIG. 188R: DIMENSIONS (IN) • WEIGHT (LBS)

CPVC Pipe Size	A	B	øC	D	E	F	G	Max. Hanger Spacing (FT.)	Approx. Weight/100 (lbs)
3/4	2 3/4	3 1/2	1/4	2	1	2 5/8	1 1/2	5 1/2	11
1	2 13/16	3 1/2	1/4	2 3/16	1	2 15/16	1 1/2	6	12
1 1/4	2 13/16	3 1/2	1/4	2 5/16	1	3 1/4	1 1/2	6 1/2	13
1 1/2	3 5/8	4 1/4	1/4	2 7/16	1	3 1/2	1 1/2	7	14
2	3 11/16	4 3/8	1/4	2 11/16	1	4	1 1/2	8	16

Fig. 595 (Formerly Afcon Fig. 850) Socket Clamp for Ductile Iron or Cast Iron Pipe

Size Range: 4" through 24"

Material: Two carbon steel half bands and four bolts and nuts.

Finish: Plain or Hot-Dip Galvanized with Zinc Plated Bolts & Nuts

Service: Clamps ductile or cast iron mechanical joint piping or mechanical joint or socket joint fittings together to prevent separation or distortion of pipe line under excessive water pressure.

Approvals: Complies with Federal Specification A-A-1192A (Type 8), ANSI/MSS SP-69 and MSS SP-58 (Type 8). Complies with the requirements of the National Fire Protection Association Standard NFPA-24 for Outside Protection.

Ordering: Specify pipe size, figure number, name and finish.

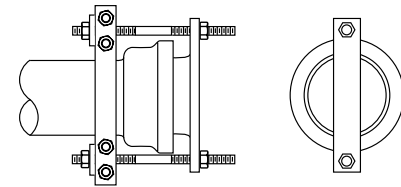
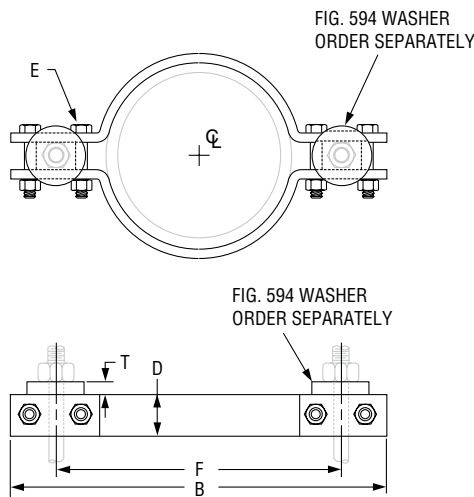


Fig. 594

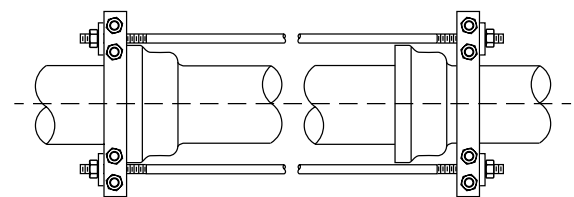
Socket Clamp Washer

Two cast iron or steel washers, Fig. 594, are used with each Fig. 595 socket clamp and these must be ordered separately.

Ordering: Specify washer size, figure number, name and finish.



Plug Strap for Bell End of Pipe



Pipe Anchor

FIG. 595, FIG. 594: DIMENSIONS (IN) • LOADS (LBS) • WEIGHT (LBS)

D.I./C.I. Pipe Size	Max Test Pressure (PSI)	Force* On Clamp	Weight		Pipe O.D.	B	D Width	Bolt Dia. E	F	T	Fig. 594 Washer Rod Dia.
			Fig. 595 Clamp	Fig. 594 Washer							
4	250	4,550	12.8	1.1	5	14 ⁵ / ₈	2	5/8	9 ⁵ / ₈	5/8	3/4
6		9,340	14.6		7 ¹ / ₈	16 ⁷ / ₈					
8		16,080	23.6		9 ⁹ / ₁₆	19 ¹ / ₈					
10		24,180	29.3	1.7	11 ¹ / ₂	21 ³ / ₈	2 ¹ / ₂	3/4	16 ⁵ / ₈		
12		34,230	40.3		13 ¹ / ₂	25 ¹ / ₈					
14	120	22,200	53.9	2.7	15 ³ / ₄	28 ¹ / ₄	3	7/8	19 ⁵ / ₈	3/4	
16	115	27,760	76.5		17 ⁷ / ₈	31 ³ / ₈					
18	100	23,900	94.3	4.3	20	35 ¹ / ₈	4	1	22 ³ / ₈		
20	75	27,500	109.8		22 ¹ / ₈	37 ³ / ₄			4 ¹ / ₂	1 ¹ / ₄	28 ¹ / ₈
24	50	26,200	148.6		5.8	26 ⁵ / ₈	44 ¹ / ₄	5			1 ¹ / ₂
									36	1 ¹ / ₄	1 ¹ / ₂

*Refers to Hydrostatic Test

Table of Contents
Pictorial TOC
General Notes
Clevis Hangers & Shields
Ring Hangers
Pipe Clamps
Riser Clamps
U-Bolts & Straps
CPVC
AWWA
Beam Clamps
Ceiling Plates & Flanges
Wall Brackets
Welded Attachments
Concrete Inserts & Attachments
Rod & Eye Rods
Rod Couplings & Turnbuckles
Swivel Attachments
Hardware & Accessories

Fig. 600

Socket Clamp for Ductile Iron or Cast Iron Pipe

Size Range: 3" through 24" pipe

Material: Two carbon steel halfbands and two bolts and nuts.

Finish: Plain or Hot-Dip Galvanized with Zinc Plated Bolts & Nuts

Service: Clamps joints of socket fittings together to prevent distortion of pipe line under excessive water pressure.

Approvals: Complies with Federal Specification A-A-1192A (Type 8), ANSI/MSS SP-69 and MSS SP-58 (Type 8).

Features: An economical method of anchoring joints of socket fittings when used on other than fire protection work.

Ordering: Specify pipe size, figure number, name and finish.



Fig. 599

Socket Clamp Washer

Two cast iron or steel washers, Fig. 599, are used with each Fig. 600 socket clamp and these must be ordered separately.

Ordering: Specify washer size, figure number, name and finish.

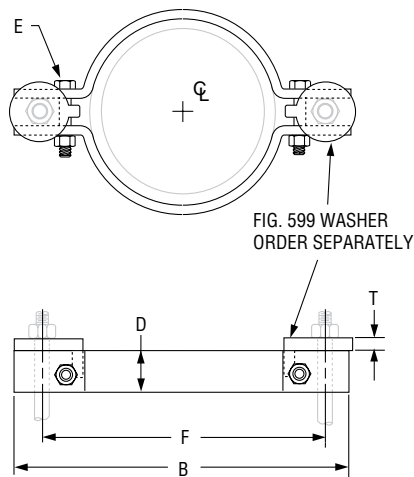


FIG. 600, FIG. 599: DIMENSIONS (IN) • WEIGHT (LBS)

D.I./C.I. Pipe Size	Weight		Pipe O.D.	B	D Width	Bolt Dia. E	F	T	Fig. 599: Washer Rod Dia.
	Fig. 600: Clamp	Fig. 599: Washer							
3	9.7	1.2	4	11 ⁵ / ₈	2	5/8	8 ⁵ / ₈	5/8	3/4
4	11.0		5	12 ¹ / ₈			9 ³ / ₄		
6	12.7		7 ¹ / ₁₆	14 ³ / ₈			12		
8	14.5		9 ³ / ₁₆	16 ⁵ / ₈			14 ¹ / ₄		
10	16.3		11 ³ / ₈	18 ⁷ / ₈			16 ¹ / ₂		
12	18.3		13 ¹ / ₂	21 ¹ / ₄			18 ³ / ₈		
14	48.7	2.7	15 ³ / ₄	25 ¹ / ₂	3	7/8	23	1 ¹ / ₈	1 ¹ / ₄
16	69.2		17 ⁷ / ₈	28	4	1	25 ¹ / ₂		
18	82.0	4.5	20	31 ¹ / ₂	4 ¹ / ₂	1 ¹ / ₄	27 ⁵ / ₈		
20	97.5		22 ¹ / ₈	33 ³ / ₄			29 ³ / ₄		
24	132.0	6.8	26 ³ / ₈	39 ³ / ₄	5	1 ¹ / ₂	35 ¹ / ₄	1 ¹ / ₄	1 ¹ / ₂

Fig. 86: C-Clamp with Set Screw and Lock Nut Fig. 88: C-Clamp with Set Screw Only

Size Range: 3/8" through 3/4"

Material: Malleable iron clamp; hardened steel cup point set screw.

Finish: Plain or Zinc Plated (Hot-Dip Galvanized optional)

Service: Recommended for attachment to "W" and "M" beams where thickness of flange Z (see table on page 277) does not exceed 0.75". When clamp is used with Fig. 89 retaining clip, flange thickness may not exceed 0.62".

Approvals: Complies with Federal Specification A-A-1192A (Type 23), WW-H-171-E (Type 23), ANSI/MSS SP-69 and MSS SP-58 (Type 23), UL, ULC Listed (Sizes 3/8", 1/2", 5/8" and 3/4") and FM Approved (Sizes 3/8").

Installation: Follow recommended set screw torque values per MSS-SP-69 (See table on page 248). The Fig. 88 is only to be used on installations where the clamp cannot become dislodged from the beam.

Features:

- Malleable body assures:
 - Uniform quality and strength.
 - Full thread engagement.
- Hardened steel cup point set screw for securing to beam flange.
- Ribbed design of clamp provides added strength.

Ordering: Specify rod size, figure number, name, length of retaining clip, if desired.

(Add 2" to flange width of beam to arrive at proper length of retaining clip.)

If required length is not standard, order next longer standard.



Fig. 86

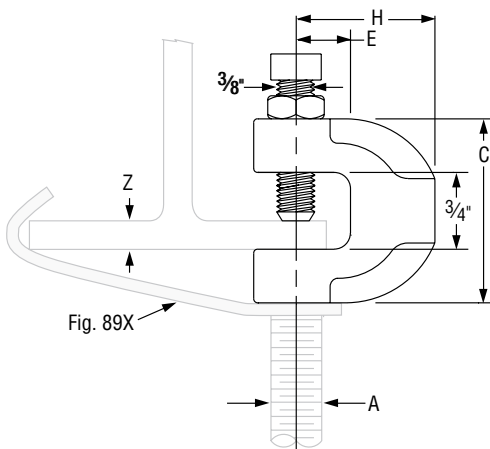


Fig. 86

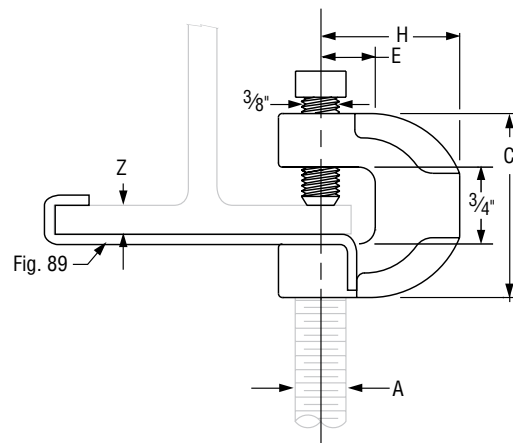


Fig. 88

FIG. 86 AND FIG. 88: DIMENSIONS (IN) • LOADS (LBS) • TORQUE (IN-LBS) • WEIGHT (LBS)

Rod Size A	Torque Value	Max Load ■	C	E	H	Weight	
						Fig. 86	Fig. 88
3/8	60	400	1 3/4	5/8	1 3/8	0.28	0.26
1/2	60					0.31	0.29
5/8	60	440	2	3/4	1 1/2	0.42	0.40
3/4	60	500				0.55	0.53

■ Maximum temperature of 450° F.

- Table of Contents
- Pictorial TOC
- General Notes
- Clevis Hangers & Shields
- Ring Hangers
- Pipe Clamps
- Riser Clamps
- U-Bolts & Straps
- CPVC
- AWWA
- Beam Clamps
- Ceiling Plates & Flanges
- Wall Brackets
- Welded Attachments
- Concrete Inserts & Attachments
- Rod & Eye Rods
- Rod Couplings & Turnbuckles
- Swivel Attachments
- Hardware & Accessories

Fig. 89

Retaining Clip

Size Range: $\frac{3}{8}$ " through $\frac{1}{2}$ "

Material: Carbon steel

Finish: Plain or Zinc Plated (Hot-Dip Galvanized optional)

Service: For use with Figs. 86, 88 & 95. NOT for seismic applications.

How to size: Specify length of retaining strap based on beam size.

Installation: Length of strap should be adequate to allow at least 1" of strap to be bent over the beam side of the flange opposite the side the beam clamp is mounted on.

Ordering: Specify rod size, figure number, name, length of retaining clip and finish (Add 2" to flange width of beam to arrive at proper length of retaining clip).

If required length is not standard, order next longer standard.

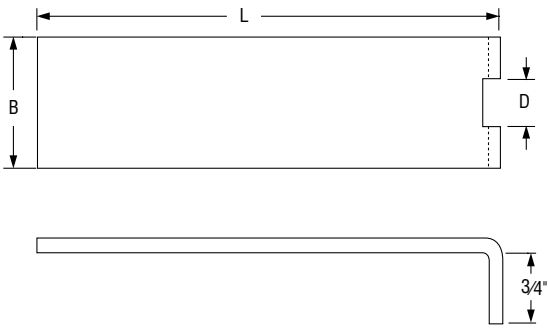
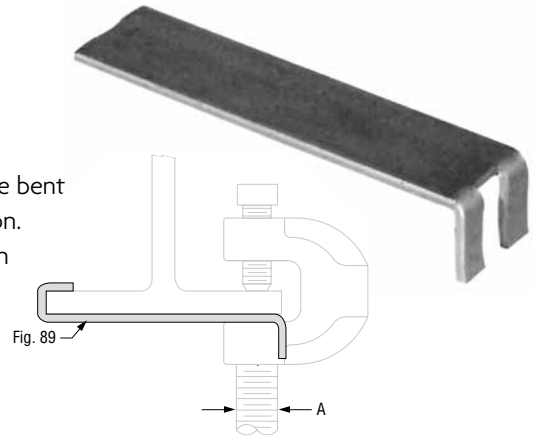


FIG. 89: RETAINING CLIP: DIMENSIONS (IN) • WEIGHT (LBS)

Rod Size A	B	D	Weights				Length L
			4½	8	10	14	
$\frac{3}{8}$	1	$\frac{7}{16}$	0.17	0.28	0.35	0.53	4½, 8, 10, 14
$\frac{1}{2}$	1¼	$\frac{15}{32}$	0.22	0.37	0.46	0.63	
$\frac{5}{8}$	1¾	$\frac{11}{16}$	0.25	0.43	0.51	0.73	
$\frac{3}{4}$							

Fig. 89X (Formerly Afcon Fig. 160)

Retaining Clip

Size Range: $\frac{3}{8}$ " through $\frac{3}{4}$ "

Material: Carbon steel

Finish: Zinc Plated (Hot-Dip Galvanized optional)

Service: For use with Figs. 86, 88, 92, 93, 94 & 95 in seismic applications.

Approvals: Complies with MSS-SP-127. UL and ULC Listed.

How to size: Specify length of retaining strap based on beam size.

Installation: Length of strap should be adequate to allow at least 1" of strap to be bent over the beam side of the flange opposite the side the beam clamp is mounted on.

Ordering: Specify rod size, figure number, name, length of retaining clip and finish (Add 2" to flange width of beam to arrive at proper length of retaining clip).

If required length is not standard, order next longer standard.

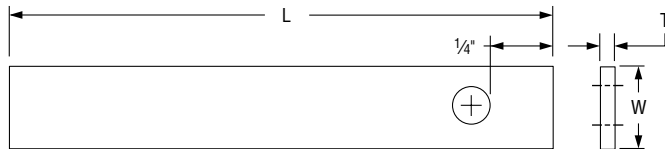


FIG. 89X: DIMENSIONS (IN) • WEIGHT (LBS)

Rod Size A	Width W	T	Weight				Length L
			6	8	10	14	
$\frac{3}{8}$	1	0.058	0.10	0.14	0.17	0.24	6, 8, 10, 14
$\frac{1}{2}$							
$\frac{5}{8}$	1¼	0.070	0.13	0.17	0.22	0.31	
$\frac{3}{4}$							

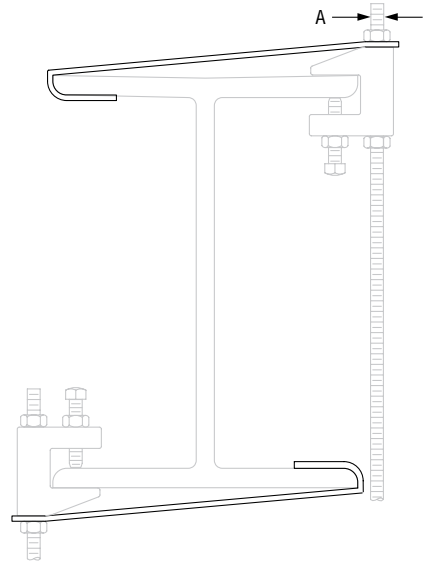


Fig. 92 (Formerly Afcon Fig. 100) Universal C-type Clamp (Standard Throat)

Size Range: 3/8" and 1/2"

Material: Ductile iron, hardened steel cup point set screw and locknut.

Finish: Plain or Zinc Plated (Hot-Dip Galvanized optional)

Service: Recommended for use under roof installations with bar joist type construction, or for attachment to the top or bottom flange of structural shapes where the vertical hanger rod is required to be offset from the edge of the flange and where the thickness of joist or flange does not exceed 3/4".

Approvals: Complies with Federal Specification A-A-1192A (Type 19 & 23) WW-H-171-E (Type 23), ANSI/MSS SP-69 and MSS SP-58 (Type 19 & 23).
UL, ULC Listed and FM Approved.

How to size: Size of clamp is determined by size of rod to be used.

Installation: Follow recommended set screw torque values per MSS-SP-69 (See table on page 276)

Features:

- They may be attached to horizontal flanges of structural members in either the top beam or bottom beam positions.
- Secured in place by a cup-pointed Set Screw tightened against the flange. A Jam Nut is provided for tightening the Set Screw against the Body Casting.
- Thru tapping of the body casting permits extended adjustment of the threaded rod.
- Can be used with Fig 89X retaining clip for seismic applications.

Ordering: Specify rod size, figure number, name of clamp and finish.

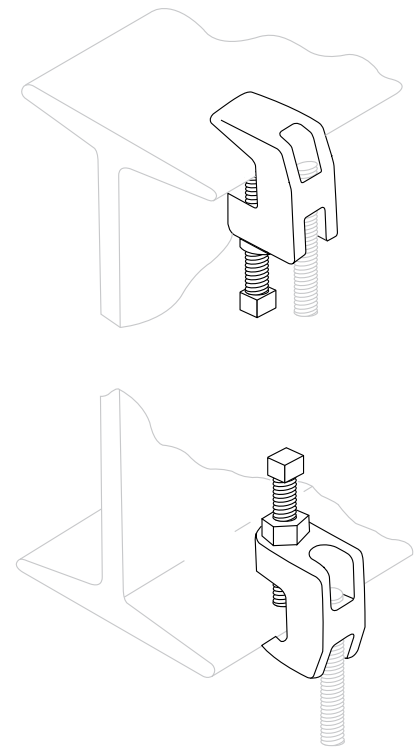
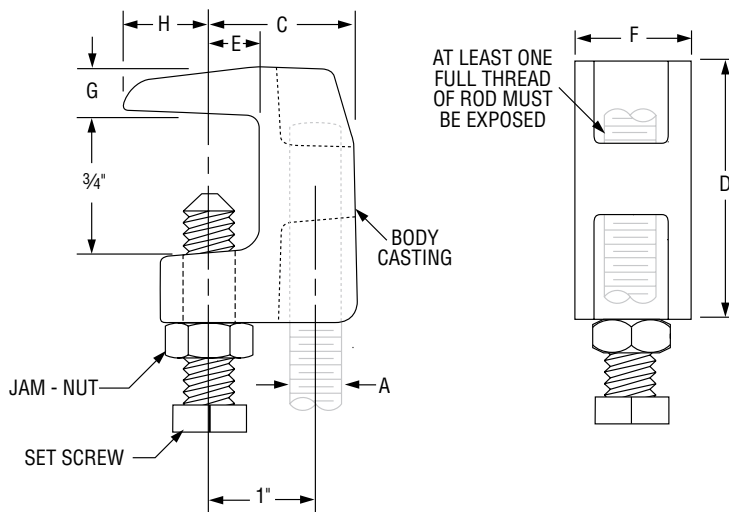
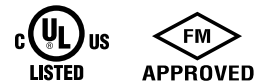


FIG. 92: DIMENSIONS (IN) • LOAD (LBS) • TORQUE (IN-LBS) • WEIGHT (LBS)											
Rod Size A	Set Screw Size	Torque Value	Max Loads ■		Weight	C	D	E	F	G	H
			Top	Bottom							
3/8	3/8	60	500	250	0.34	1 5/16	1 1/16	9/16	1 3/16	3/8	1/2
1/2	1/2	125	950	760	0.63	1 3/8	1 13/16	1/2	1 1/16	7/16	23/32

■ Maximum temperature of 450° F

- Table of Contents
- Pictorial TOC
- General Notes
- Clevis Hangers & Shields
- Ring Hangers
- Pipe Clamps
- Riser Clamps
- U-Bolts & Straps
- CPVC
- AWWA
- Beam Clamps
- Ceiling Plates & Flanges
- Wall Brackets
- Welded Attachments
- Concrete Inserts & Attachments
- Rod & Eye Rods
- Rod Couplings & Turnbuckles
- Swivel Attachments
- Hardware & Accessories

Fig. 93 (Formerly Afcon Fig. 105)

Universal C-type Clamp (Wide Throat)

Size Range: $\frac{3}{8}$ " and $\frac{1}{2}$ "

Material: Ductile iron clamp, hardened steel cup point set screw and locknut.

Finish: Plain or Zinc Plated (Hot-Dip Galvanized optional)

Service: Recommended for use under roof installations with bar joist type constructions, or for attachment to the top or bottom flange of structural shapes where the vertical hanger rod is required to be offset from the edge of the flange and where the thickness of joist or flange does not exceed $1\frac{1}{4}$ ".

Approvals: Complies with Federal Specification A-A-1192A (Type 19 & 23), WW-H-171-E (Type 23), ANSI/MSS SP-69 and MSS SP-58 (Type 19 & 23). UL, ULC Listed and FM Approved.

How to size: Size of clamp is determined by size of rod to be used.

Installation: Follow recommended set screw torque values per MSS-SP-69 (See tables on page 276).

Features:

- They may be attached to horizontal flanges of structural members in either the top beam or bottom beam positions.
- Secured in place by a cup-pointed Set Screw tightened against the flange. A Jam Nut is provided for tightening the Set Screw against the Body Casting.
- Thru tapping of the body casting permits extended adjustment of the threaded rod.
- Wider throat for attaching to flange with up to $1\frac{1}{4}$ " thickness.

Ordering: Specify rod size, figure number, name of clamp and finish.

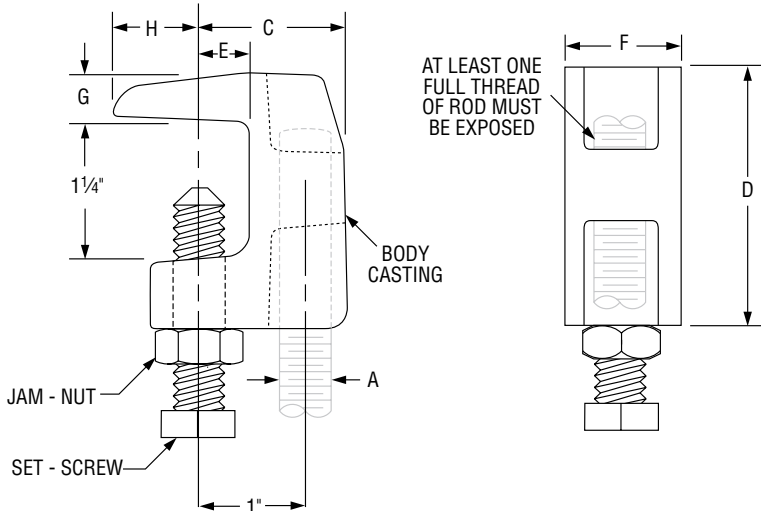
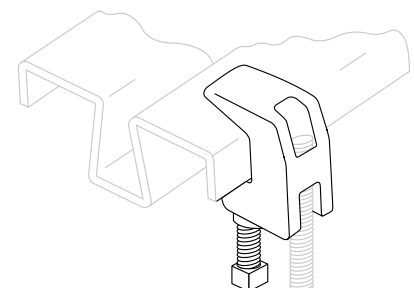
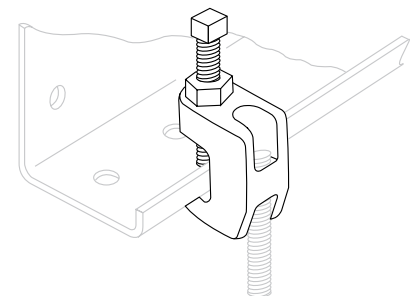
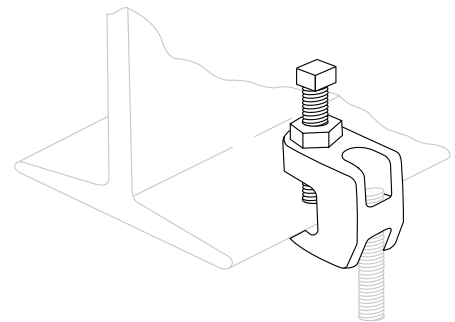


FIG. 93:
DIMENSIONS (IN) • LOAD (LBS) • TORQUE (IN-LBS) • WEIGHT (LBS)

Rod Size A	Set Screw Size	Torque Value	Max Loads ■		Weight	C	D	E	F	G	H
			Top	Bottom							
$\frac{3}{8}$	$\frac{3}{8}$	60	500	250	0.41	$1\frac{5}{16}$	$2\frac{5}{32}$	$\frac{9}{16}$	$1\frac{13}{16}$	$\frac{3}{8}$	$\frac{5}{8}$
$\frac{1}{2}$	$\frac{1}{2}$	125	950	760	0.75	$1\frac{3}{8}$	$2\frac{11}{32}$	$\frac{1}{2}$	$1\frac{1}{16}$	$\frac{7}{16}$	$1\frac{13}{16}$

■ Maximum temperature of 450° F

Fig. 94

Wide Throat Top Beam C-Clamp

Size Range: 5/8" and 3/4"

Material: Ductile iron body, hardened steel cup point set screw and locknut.

Finish: Plain or Zinc Plated (Hot-Dip Galvanized optional)

Service: Recommended for use under roof installations with bar joist type construction, or for attachment to the top flange of structural shapes where the vertical hanger rod is required to be offset from the edge of the flange and where the thickness of joists or flange does not exceed 1 5/16".

Approvals: Complies with Federal Specification A-A-1192A (Type 19) WW-H-171-E (Type 19), ANSI/MSS SP-69 and MSS SP-58 (Type 19), UL Listed.

How to size: Size of clamp is determined by size of rod to be used.

Installation: Follow maximum recommended set screw torque values per MSS-SP-69. (See tables on page 276)

Features:

- Provides clamping to bar joists which are directly under roof installations.
- Provides for vertical hanger rod installed offset from the edge of the beam flange.
- Malleable iron body assures full thread engagement of rod.

Ordering: Specify rod size, figure number, name of clamp and finish.

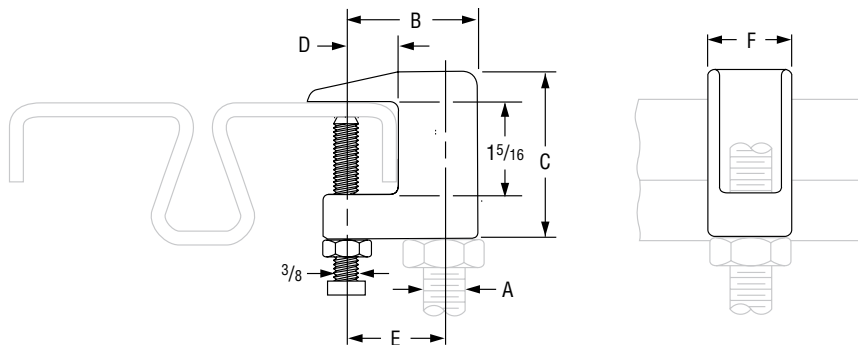
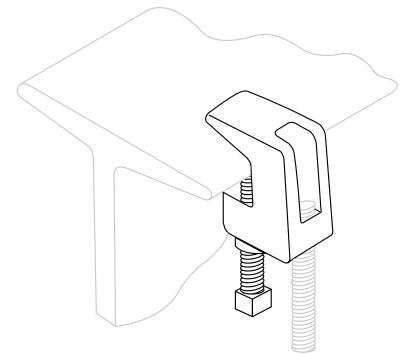
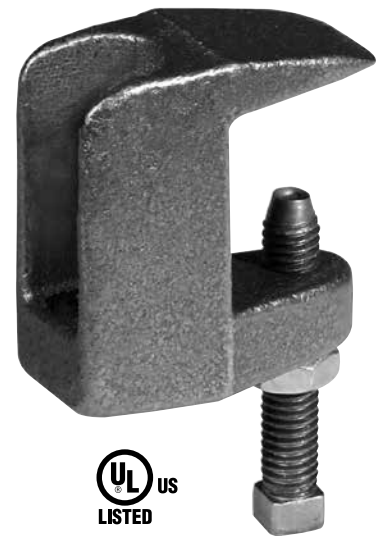


FIG. 94: DIMENSIONS (IN) • LOAD (LBS) • TORQUE (IN-LBS) • WEIGHT (LBS)

Rod Size A	Set Screw Size	Torque Value	Max Loads ■	Weight	B	C	D	E	F
5/8	3/8	60	1,200	0.66	1 3/4	2 1/4	3/4	1 1/4	1
3/4	3/8	60	1,600	0.83	1 7/8	2 3/8		1 3/8	1 1/16

■ Maximum temperature of 450° F

- Table of Contents
- Pictorial TOC
- General Notes
- Clevis Hangers & Shields
- Ring Hangers
- Pipe Clamps
- Riser Clamps
- U-Bolts & Straps
- CPVC
- AWWA
- Beam Clamps**
- Ceiling Plates & Flanges
- Wall Brackets
- Welded Attachments
- Concrete Inserts & Attachments
- Rod & Eye Rods
- Rod Couplings & Turnbuckles
- Swivel Attachments
- Hardware & Accessories

Fig. 95

C-Clamp with Locknut

Size Range: $\frac{3}{8}$ " and $\frac{1}{2}$ "

Material: Carbon Steel

Finish: Plain or Zinc Plated

Service: Designed for fastening flange of "W" and "M" beam. Bottom hole tapped to accommodate hanger rod.

Approvals: Complies with Federal Specification A-A-1192A (Type 23)

WW-H-171-E (Type 23), ANSI/MSS SP-69 and MSS SP-58 (Type 23).

UL Listed (Sizes $\frac{3}{8}$ ").

FM Approved (Sizes $\frac{3}{8}$ " - $\frac{1}{2}$ ").

Installation: Follow recommended set screw torque values per MSS-SP-69 (See table on page 276).

Ordering: Specify rod size, figure number, name and finish.

Note: If a retaining clip is desired, you may specify either Fig. 89X or Fig. 89. For length and other ordering information, refer to Fig. 89X and Fig. 89.

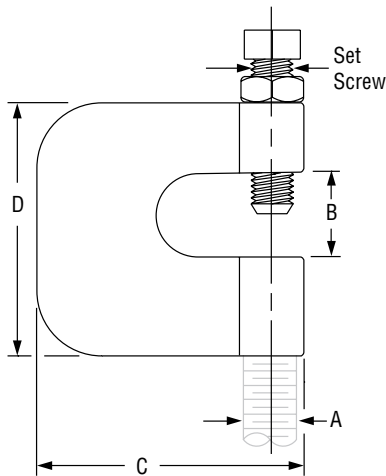


FIG. 95: DIMENSIONS (IN) • LOAD (LBS) • TORQUE (IN-LBS) • WEIGHT (LBS)								Rod Sized Retaining Clips	
Rod Size A	Set Screw Size	Torque Value	Max Load	B	C	D	Weight	Fig. 89	Fig. 89X
$\frac{3}{8}$	$\frac{3}{8}$	60	230	$\frac{3}{4}$	$2\frac{1}{4}$	$2\frac{3}{8}$	0.34	$\frac{3}{8}$	$\frac{3}{8}$
$\frac{1}{2}$	$\frac{1}{2}$	125	380				0.40		$\frac{1}{2}$

Fig. 133 Fig. 134

Size Range: Fig. 133: 4" through 8", Fig. 134: 4" through 12"

Material: Carbon steel

Finish: Plain or Hot-Dip Galvanized with Zinc Plated Fasteners

Service: Clamp centers the load on beam to prevent distortion

Approvals: Complies with Federal Specification A-A-1192A (Type 21) WW-H-171-E (Type 21), ANSI/MSS SP-69 and MSS SP-58 (Type 21).

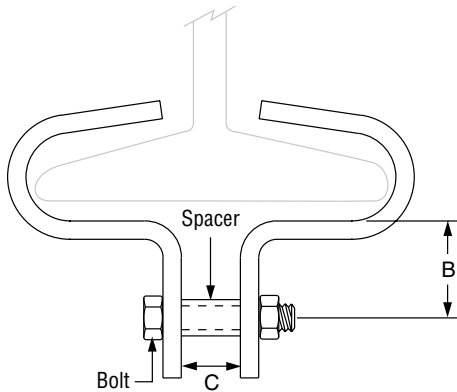
Fig. 133 UL Listed when used with $\frac{3}{8}$ " and $\frac{1}{2}$ " rod.

Fig. 134 UL Listed and FM Approved when used with $\frac{1}{2}$ " and $\frac{5}{8}$ " rod.

Components: Two half-clamps, pipe spacer and bolt with nut assembled.

Ordering: Figure number, width of flange, name and finish.

Note: Spacer is furnished for use with Fig. 290 weldless eye nuts. Spacer may be removed for use with Fig. 278 eye rods.



Flange Size			
Flange Width	Max Flange Thickness	Weight (lbs)	
		Fig. 133 Std. Duty	Fig. 134 Heavy Duty
4	$\frac{1}{2}$	0.91	3.82
5	$\frac{3}{8}$	1.00	4.35
6	$\frac{3}{4}$	1.15	4.52
7	$\frac{7}{8}$	1.29	4.84
8		1.44	5.10
9	1	—	5.83
10		—	6.25
11		—	6.67
12		—	7.09

Standard Duty Beam Clamp Heavy Duty Beam Clamp



Fig. 133
Standard Duty

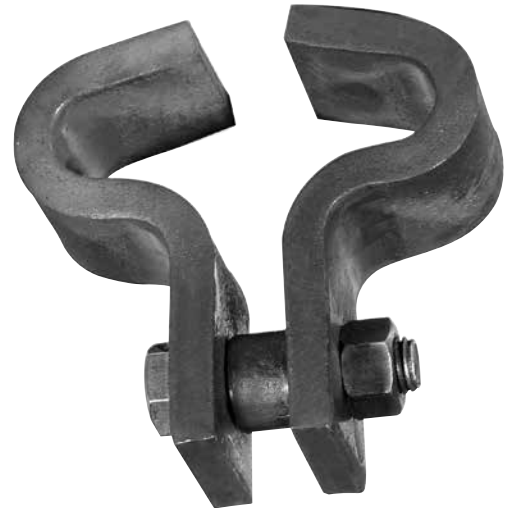


Fig. 134
Heavy Duty



FIG. 133, 134: DIMENSIONS (IN) • LOADS (LBS)					
	C	B	Bolt Size	Spacer O.D.	Max Load
Fig. 133	$\frac{9}{16}$	$1\frac{3}{8}$	$\frac{3}{8}$	$1\frac{1}{16}$	1,000
Fig. 134	$\frac{3}{4}$	$2\frac{1}{4}$	$\frac{5}{8}$	$1\frac{1}{16}$	3,000

- Table of Contents
- Pictorial TOC
- General Notes
- Clevis Hangers & Shields
- Ring Hangers
- Pipe Clamps
- Riser Clamps
- U-Bolts & Straps
- CPVC
- AWWA
- Beam Clamps**
- Ceiling Plates & Flanges
- Wall Brackets
- Welded Attachments
- Concrete Inserts & Attachments
- Rod & Eye Rods
- Rod Couplings & Turnbuckles
- Swivel Attachments
- Hardware & Accessories

BEAM CLAMPS

Fig. 14

Adjustable Side Beam Clamp

Size Range: 3/8" through 5/8"

Material: Carbon steel

Finish: Plain or Zinc Plated

Service: Recommended for supporting pipe from the bottom flange of beam

Approvals: Complies with Federal Specification A-A-1192A (Type 27)

WW-H-171-E (Type 54), ANSI/MSS SP-69 and MSS SP-58 (Type 27).

Ordering: Specify rod size, figure number, name and finish.

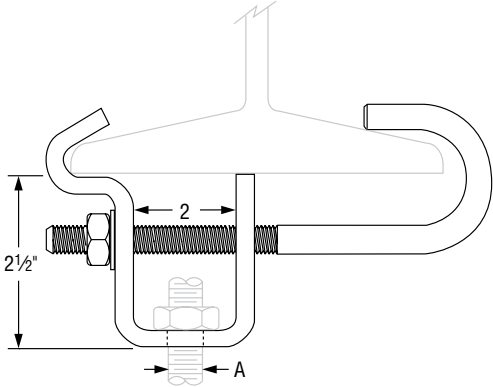


FIG. 14: DIMENSIONS (IN) • LOAD (LBS) • WEIGHT (LBS)

Rod Size A	Max Load	Hole Size A	Adjustment Beam Width		Weight
			Min.	Max.	
3/8	300	7/16	3 1/2	8	1.19
1/2	700	9/16			1.67
5/8	1,000	1 1/16			2.23

Fig. 217

Adjustable Side Beam Clamp

Size Range: 3" through 7 5/8"

Material: Carbon steel

Finish: Plain

Service: To be used where it is necessary for the hanger rod to run vertically close to the beams edge, eliminating drilling of holes in structural members.

Components: Top slide, bottom hook, nut and bolt – assembled.

Design: Can be adjusted to fit various beam flange widths and thicknesses.

Approvals: Complies with Federal Specification A-A-1192A (Type 25), ANSI/MSS SP-69 and MSS SP-58 (Type 25).

Ordering: Specify size, figure number, type, name.

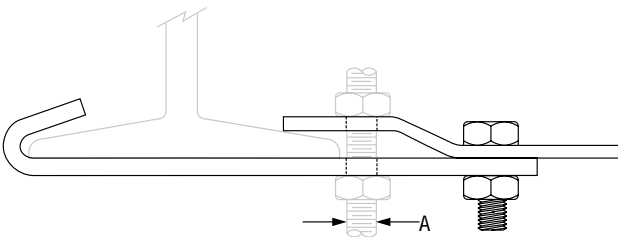


FIG. 217: DIMENSIONS (IN) • LOAD (LBS) • WEIGHT (LBS)

Size	Max Flange Width	Max Flange Thickness	Rod Size A	Max Load	Weight
Fig. 217 - Type 1					
3	3 - 4 1/2	1/2	3/8	300	0.80
4 5/8	4 5/8 - 6	1 1/16			1.06
6 1/8	6 1/8 - 7 1/2	3/4			1.17
7 5/8	7 5/8 - 9	1 5/16			1.28
Fig. 217 - Type 2					
3	3 - 4 1/2	1/2	1/2	500	1.57
4 5/8	4 5/8 - 6	1 1/16			1.84
6 1/8	6 1/8 - 7 1/2	3/4			2.05
7 5/8	7 5/8 - 9	1 5/16			2.23
Fig. 217 - Type 3					
3	3 - 4 1/2	1/2	5/8	700	3.75
4 5/8	4 5/8 - 6	1 1/16			4.19
6 1/8	6 1/8 - 7 1/2	3/4			4.53
7 5/8	7 5/8 - 9	1 5/16			5.11

Fig. 218

Malleable Beam Clamp without Extension Piece

Material: Malleable iron jaw, steel tie rod, nuts and washer.

Finish: Plain or Zinc Plated

Service: Recommended for attachment to structural steel. Use in conjunction with beams where beam widths are from 2 3/8" minimum to 7" maximum and flange thickness does not exceed 0.60".

Approvals: Complies with Federal Specification A-A-1192A (Type 30) WW-H-171-E (Type 30), ANSI/MSS SP-69 and MSS SP-58 (Type 30). UL, ULC Listed (Sizes 3/4" - 12" pipe size, when used with the Fig. 157 extension piece 3/8" - 7/8" rod sizes).

FM Approved (Sizes 3/4" - 4" pipe size, when used with the Fig. 157 extension piece 3/8" rod size).

Installation: The malleable beam clamp Fig. 218 may be used with an eye rod, or Fig. 157 extension piece.

Features:

- Functional design insures proper fit for all beam sizes.
- Tie rod locks clamp in place when nuts are tightened.
- Ordering and stocking simplified because of one universal size.
- Design allows hanger rod to swing from vertical providing flexibility at the beam clamp.

Ordering: Specify figure number, name and finish.

Note: When used with Fig. 157 see page 119 extension piece, an additional inch or more of vertical adjustment is obtained.

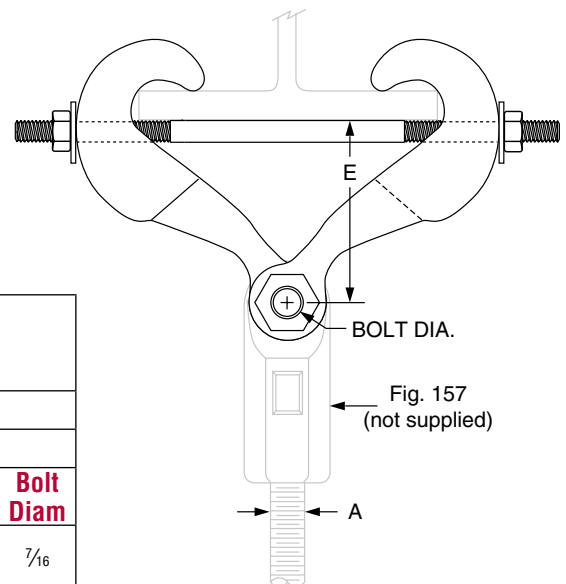
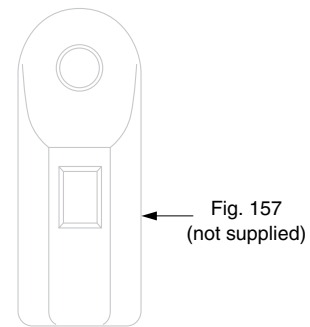
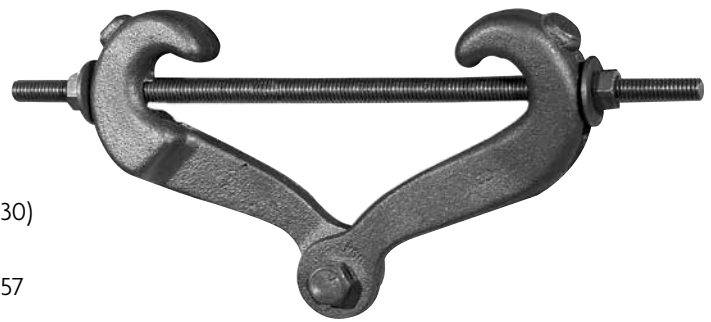


FIG. 218: DIMENSIONS (IN) • LOADS (LBS) • WEIGHT (LBS)									
Max Rod Size A	Max Load ■	Weight	Width of Beam Flange (in)						
			Rod Take Out - E (in)						
			2 3/8	3	4	5	6	7	Bolt Diam
7/8	1,365	2.2	3 1/2	3 7/16	3 5/16	2 15/16	2 9/16	1 7/8	7/16

■ Note: see page 248 for load capacity of rod.

- Table of Contents
- Pictorial TOC
- General Notes
- Clevis Hangers & Shields
- Ring Hangers
- Pipe Clamps
- Riser Clamps
- U-Bolts & Straps
- CPVC
- AWWA
- Beam Clamps**
- Ceiling Plates & Flanges
- Wall Brackets
- Welded Attachments
- Concrete Inserts & Attachments
- Rod & Eye Rods
- Rod Couplings & Turnbuckles
- Swivel Attachments
- Hardware & Accessories

Fig. 226 (Formerly Afcon Fig. 142)

Truss Bracket

Rod Size: 1/2"

Material: Carbon Steel

Finish: Plain or Electro-Galvanized per ASTM B633

Service:

- For installation on the top chord of a steel web joist. Web thickness must be between 3/16" and 3/8" thick. Joist must be between 5" and 7" wide.
- For installation with Anvil Fig 202, 206, 207, & 551 brackets

Approvals: cULus Listed for up to 8" service pipe

Installation:

- Place rod hook and the steel bracket over the top chord
- Mount a bracket with a 1/2" mounting hole over the rod exposed behind the steel bracket.
- Tighten hex nut between 10 and 12 ft-lbs or finger tight plus 1/2 turn.

Features:

- Offsets hanger from the joist to allow for clearance between the pipe and joist.
- Possible alternative to a trapeze assembly.

Patent: No. 6,898,905

Ordering: Specify figure number, description and finish.

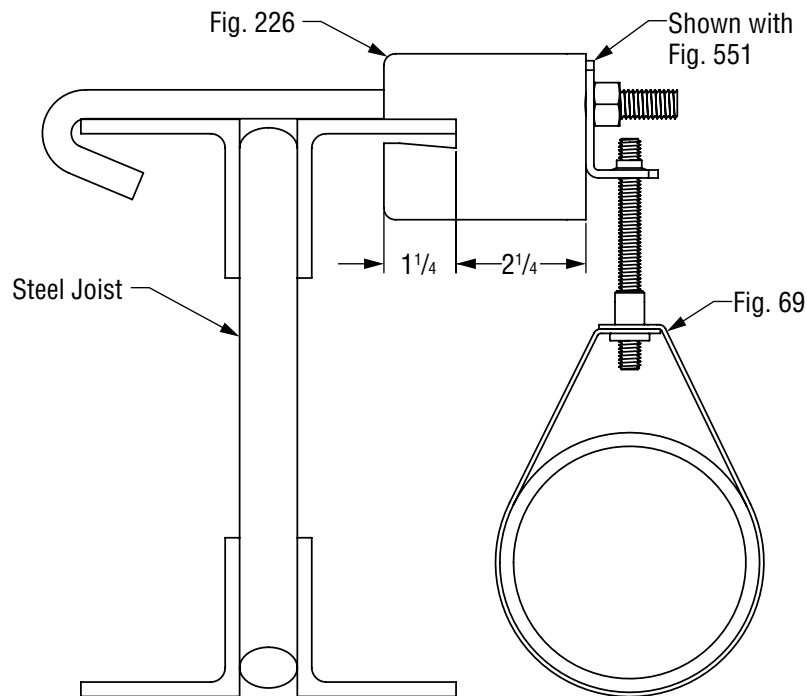
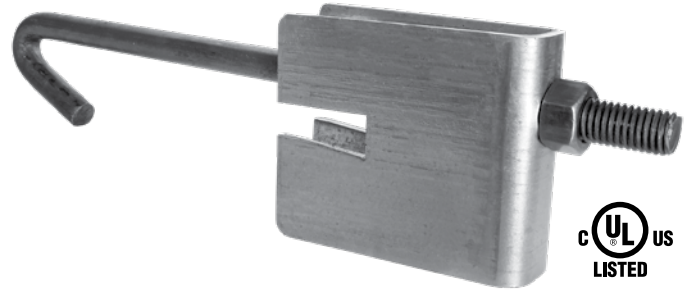


Fig. 227 (Formerly Afcon Fig. 140)

Top Beam Clamp

Material: Carbon steel jaw, hook rod with nut, lock washer and plain washer.

Finish: Plain

Service: Recommended for use on top flange of beam and roof trusses where the flange thickness does not exceed 0.81".

Approvals: Complies with Federal Specification A-A-1192A (Type 25), ANSI/MSS SP-69 and MSS SP-58 (Type 25). UL Listed (rod sizes $\frac{3}{8}$ " & $\frac{1}{2}$ ") and FM Approved when used with $\frac{3}{8}$ " rod size.

How to size: Determine hook rod length by adding figure in column headed "x" to flange width (see table on page 277 for flange width). "x" is not indicated as a dimension on drawing.

Installation: Slide stamped steel jaw over beam flange and attach hook rod and eye rod, finally tightening hook rod. Hammer jaw firmly against the underside of the beam to complete installation.

Features:

- Two jaw sizes fit beam flanges thickness from 0.25" to 0.81".
- Clamp firmly holds to beam providing safe and extremely economical means of supporting small piping from the top flange of steel beams and roof trusses.

Ordering: Specify jaw size, figure number, name, hook rod length. Standard hook rods are furnished in even inch lengths, either length ordered or next longer length.

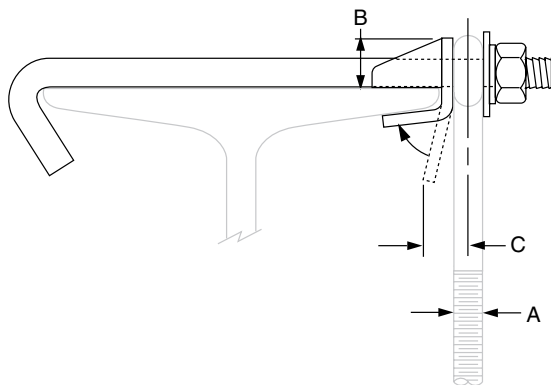


FIG. 227: DIMENSIONS (IN) • LOADS (LBS) • WEIGHT (LBS)

Jaw Size	Max Load	Weight ▲	Hook Rod Diam	Rod Size A	B	C	X
1	730	0.38	$\frac{3}{8}$	$\frac{3}{8}$	$\frac{3}{4}$	$\frac{5}{16}$	$2\frac{1}{8}$
2	940	0.67	$\frac{1}{2}$	$\frac{1}{2}$	1	$\frac{3}{8}$	$2\frac{1}{4}$
				$\frac{5}{8}$	$1\frac{1}{8}$	$\frac{7}{16}$	$2\frac{1}{2}$
				$\frac{3}{4}$	$1\frac{1}{4}$	$\frac{1}{2}$	$2\frac{5}{8}$

▲ Based on 8" hook rod length. Will vary for other hook rod lengths.

- Table of Contents
- Pictorial TOC
- General Notes
- Clevis Hangers & Shields
- Ring Hangers
- Pipe Clamps
- Riser Clamps
- U-Bolts & Straps
- CPVC
- AWWA
- Beam Clamps**
- Ceiling Plates & Flanges
- Wall Brackets
- Welded Attachments
- Concrete Inserts & Attachments
- Rod & Eye Rods
- Rod Couplings & Turnbuckles
- Swivel Attachments
- Hardware & Accessories

Fig. 228

Universal Forged Steel (UFS) Beam Clamp with UFS (Upper) Nut Right-Hand Thread

Material: Forged steel

Finish: Plain or Zinc Plated

Service: For suspension of heavy loads from beams with flange widths up to 15" and flange thickness to 1.031.

Approvals: Complies with Federal Specification A-A-1192A (Type 28 without links; Type 29 with links), WW-H-171-E (Type 30 & 31), ANSI/MSS SP-69 and MSS SP-58 (Type 28 without links; Type 29 with links).

Installation: Fit jaws over edges of lower beam flange and tighten nuts on tie rod to lock clamp in place.

Features:

- Upper nut is tapped to any specified size up to the maximum rod size.
- Quickly, easily, economically installed.
- Tie rod insures a tight non-slip fit to the beam.
- Clamps are available, tapped to any specified rod size up to the maximum rod size.

Ordering: Specify clamp size, figure number, name, rod size and finish.

Note: The application of a load to a structural beam by means of a beam clamp produces a transverse stress, perpendicular to the axis of the beam, in the flange to which the load is applied.

Size per load, beam flange width and rod size

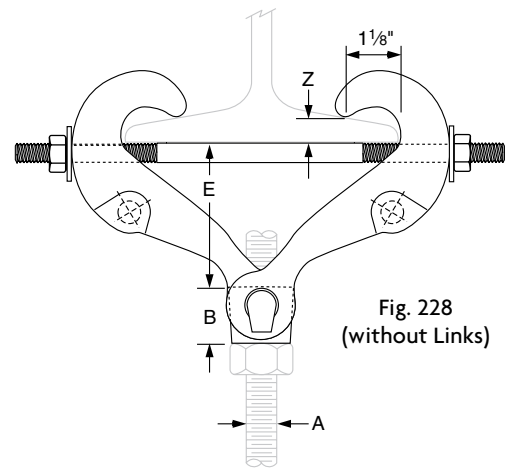
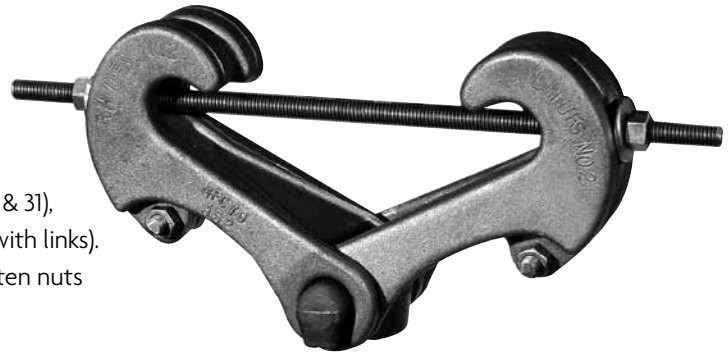


Fig. 228 (without Links)

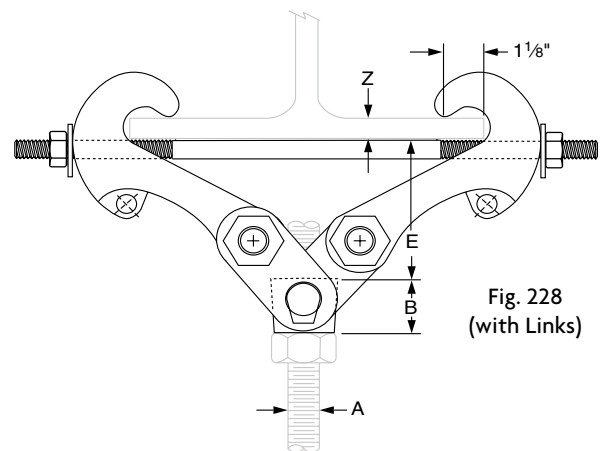


Fig. 228 (with Links)

FIG. 228: DIMENSIONS (IN) • LOADS (LBS) • WEIGHT (LBS)						
Clamp Size No.	Max Rod Size A	Max Load ■	Weight	Z Max ❖	B	Jaw and Nut Size ▲
1	5/8	2,160	3.3	0.60	1 1/16	228 - 1
2	7/8	4,480	7.0		1 1/8	228 - 2
3•			10.6	1.031	2 3/8	228 - 3
4	1 1/2	11,500	19.3			
5•			31.0			

▲ For reference only, order by clamp size.

• Furnished with links.

■ Note: Load capacity based on rod sizes shown. For load capacity of other rod sizes see page 276.

❖ For actual "Z" dimensions see table on page 277.

Clamp Size No.	Width of Beam Flange (in)													
	Rod Take Out - E (in)													
	3	4	5	6	7	8	9	10	11	12	13	14	15	
1	1 9/16	1 1/2	1 5/16	1 1/8	3/4	-	-	-	-	-	-	-	-	-
2	-	1 7/16			1 1/16	-	-	-	-	-	-	-	-	-
3•	-	-	-	-	1 15/16	1 13/16	1 1/2	1 5/16	-	-	-	-	-	-
4	-	2 5/16	2 3/16	2 1/16	1 13/16	1 7/8	1 9/16		-	-	-	-	-	-
5•	-	-	-	-	-	-	-	3	2 11/16	2 9/16	2 1/4	1 15/16	1 5/8	

• Furnished with links.

Fig. 292: Right-Hand Thread Universal Forged Steel (UFS) Beam Clamp Fig. 292L: Left-Hand Thread with and without Weldless Eye Nut

Material: Forged steel

Finish: Plain or Zinc Plated

Service: For suspension of heavy loads from beams with flange widths to 15" and flange thickness to 1.031.

Approvals: Complies with Federal Specification A-A-1192A (Type 28 without links; Type 29 with links), WW-H-171-E (Type 28 without links; Type 29 with links), ANSI/MSS SP-69 and MSS SP-58 (Type 28 without links; Type 29 with links).

Installation: Fit jaws over edges of lower beam flange and tighten nuts on tie rod to lock clamp in place.

Features:

- Weldless eye nut provides for horizontal pipe movement without binding.
- Weldless eye nut is furnished tapped to any specified rod size up to the maximum rod size.
- Tie rod assures a tight non-slip fit to the beam.
- Self locking nut with a nylon insert prevents the nut from working loose.

Ordering: Specify clamp size, figure number, name, rod size and finish.

Note: The application of a load to a structural beam by means of a beam clamp produces a transverse stress, perpendicular to the axis of the beam, in the flange to which the load is applied.

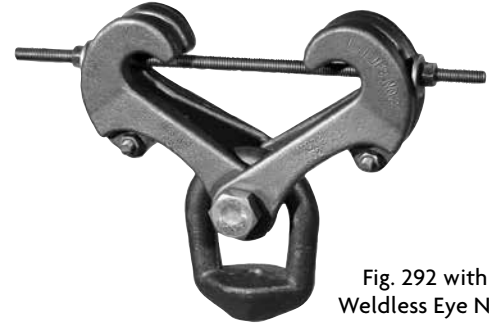


Fig. 292 with Weldless Eye Nut

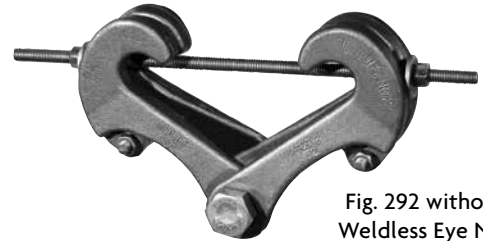


Fig. 292 without Weldless Eye Nut

**FIG. 292, FIG. 292L:
DIMENSIONS (IN) • LOADS (LBS) • WEIGHT (LBS)**

Clamp Size No.	Max Rod Size A	Max Load ■	Weight	Z Max ❖	B	Jaw and Eye Nut Size ▲
1	3/4	3,230	3.9	0.60	1 1/4	292 - 1 / 1
2	1		9.2		1 11/16	292 - 2 / 2
3 •			13.0		1 1/2	292 - 3 / 2
4			21.7			
5 •	1 1/2	5,900	33.9	1.031	2 1/8	292 - 3 / 3
6			23.9			
7 •			35.8			
8	2	11,500	36.8		4 9/16	292 - 3 / 4

▲ For reference only, order by clamp size.

• Furnished with links.

■ Note: Load capacity based on rod sizes shown. For load capacity of other rod sizes see page 276.

❖ For actual "Z" dimensions see table on page 277.

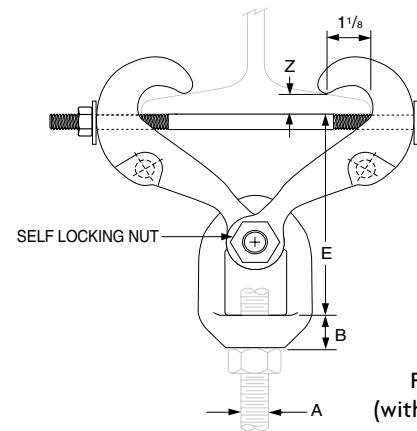


Fig. 292 (without Links)

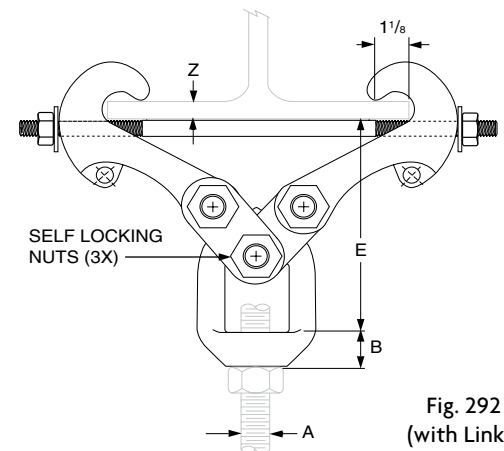


Fig. 292 (with Links)

Clamp Size No.	Width of Beam Flange (in)												
	Rod Take Out - E (in)												
	3	4	5	6	7	8	9	10	11	12	13	14	15
1	4 1/2	4 5/16	4 1/16	3 5/8	2 7/8	-	-	-	-	-	-	-	-
2	-	4 3/4	4 7/16	4 1/16	3 3/8	-	-	-	-	-	-	-	-
3 •	-	-	-	-	5 15/16	6	5 5/16	5	-	-	-	-	-
4	-	6 13/16	6 5/8	6 3/8	5 7/8	5 5/8	5 3/8	4 13/16	-	-	-	-	-
5 •	-	-	-	-	-	-	-	-	8 1/8	7 3/4	7 1/8	6 5/8	6 1/16
6	-	7 3/16	7	6 3/4	6 1/4	6 5/16	5 13/16	5 3/16	-	-	-	-	-
7 •	-	-	-	-	-	-	-	-	8 1/2	8 1/8	7 1/2	7	6 1/16
8	-	8 5/8	8 7/16	8 3/16	7 3/4	7 3/4	7 1/4	6 5/8	-	-	-	-	-

Fig. 127

Plastic Ceiling Plate

Size Range: $\frac{3}{8}$ " and $\frac{1}{2}$ "

Material: Plastic

Service: Recommended for giving a finished appearance where rod enters ceiling.

Installation: Slide plate up rod until flush against ceiling.

Features:

- Highly economical
- Quickly installed
- Held firmly to rod by design and friction

Ordering: Specify rod size, figure number, name. (rod not included)



FIG. 127: DIMENSIONS (IN) • WEIGHT (LBS)

Rod Size A	Weight	Outside Dia.	Depth
$\frac{3}{8}$	0.07	$1\frac{13}{16}$	$\frac{1}{2}$
$\frac{1}{2}$			

Fig. 128R

Rod Threaded, Ceiling Flange

Size Range: $\frac{3}{8}$ " and $\frac{1}{2}$ "

Material: Malleable iron

Finish: Plain or Zinc Plated (Hot-Dip Galvanized optional)

Service: Recommended for attachment to wood beams or ceiling.

Ordering: Specify rod size, figure number, name and finish.

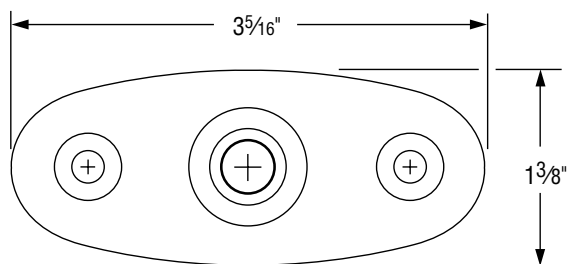
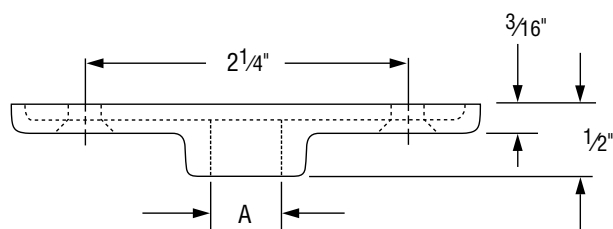


FIG. 128R: DIMENSIONS (IN) • LOAD (LBS) • WEIGHT (LBS)

Rod Size A	Max Load	Weight	Screws (not included)	
			Quantity	Size No.
$\frac{3}{8}$	180	0.16	2	12
$\frac{1}{2}$				

Fig. CT-128R

Rod Threaded Ceiling Flange

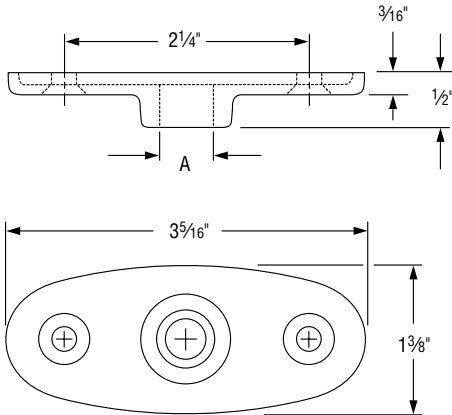
Size Range: $\frac{3}{8}$ " and $\frac{1}{2}$ "

Material: Malleable iron

Finish: Copper plated

Service: Recommended for attachment to wood beams or ceiling.

Ordering: Specify rod size, figure number, name.



**FIG. CT-128R:
DIMENSIONS (IN) • LOADS (LBS) • WEIGHT (LBS)**

Rod Size A	Max Load	Weight	Screws	
			Quantity	Size No.
$\frac{3}{8}$	180	0.16	2	12
$\frac{1}{2}$				

Fig. 395

Cast Iron Ceiling Plate

Size Range: $\frac{1}{2}$ " through 8"

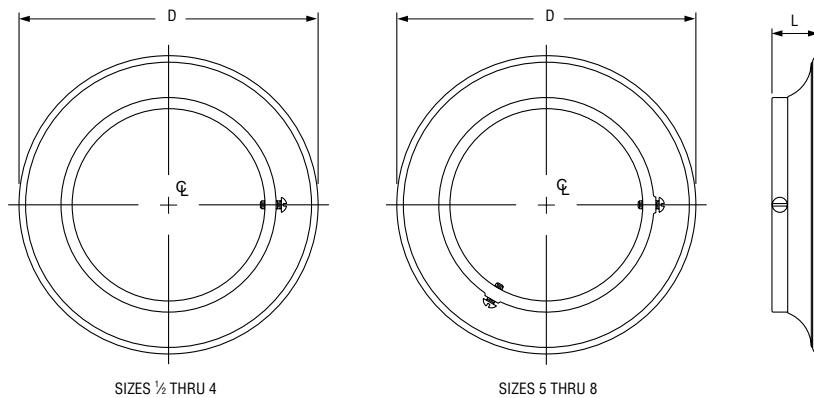
Material: Cast iron

Finish: Plain or Zinc Plated

Service: Gives finished appearance where pipe enters ceiling.

Installation: Sizes $\frac{1}{2}$ " to 4" furnished with one machine screw; sizes 5" to 8", two machine screws.

Ordering: Specify pipe size, figure number, name and finish.



**FIG. 395:
DIMENSIONS (IN) • WEIGHT (LBS)**

Pipe Size	Weight	D - Dia.	L
$\frac{1}{2}$	0.21	$2\frac{7}{8}$	$\frac{3}{4}$
$\frac{3}{4}$	0.40	$3\frac{3}{8}$	1
1	0.41	$3\frac{5}{8}$	
$1\frac{1}{4}$	0.51	4	
$1\frac{1}{2}$	0.55	$4\frac{1}{4}$	
2	0.67	$4\frac{3}{4}$	
$2\frac{1}{2}$	0.93	$5\frac{1}{2}$	$1\frac{1}{8}$
3	1.10	$6\frac{1}{8}$	
4	1.40	$7\frac{1}{8}$	
5	2.50	$8\frac{11}{16}$	$1\frac{1}{4}$
6	3.10	$9\frac{1}{4}$	
8	3.30	$11\frac{3}{4}$	

CEILING PLATES & FLANGES

Fig. 153

Pipe Hanger Flange

Size Range: $\frac{3}{8}$ " through $\frac{3}{4}$ "

Material: Malleable iron

Finish: Plain

Service: Recommended for suspension of pipe lines or conduit from level ceilings.

Approvals: UL, ULC Listed and FM Approved (Sizes $\frac{3}{8}$ " and $\frac{1}{2}$ ").

Installation: Flange size $\frac{3}{8}$ " has two holes, sizes $\frac{1}{2}$ ", $\frac{5}{8}$ ", and $\frac{3}{4}$ " have three holes.

Features:

- Provides vertical adjustment up to 1".
- Good appearance.

Ordering: Specify rod size, figure number and name.

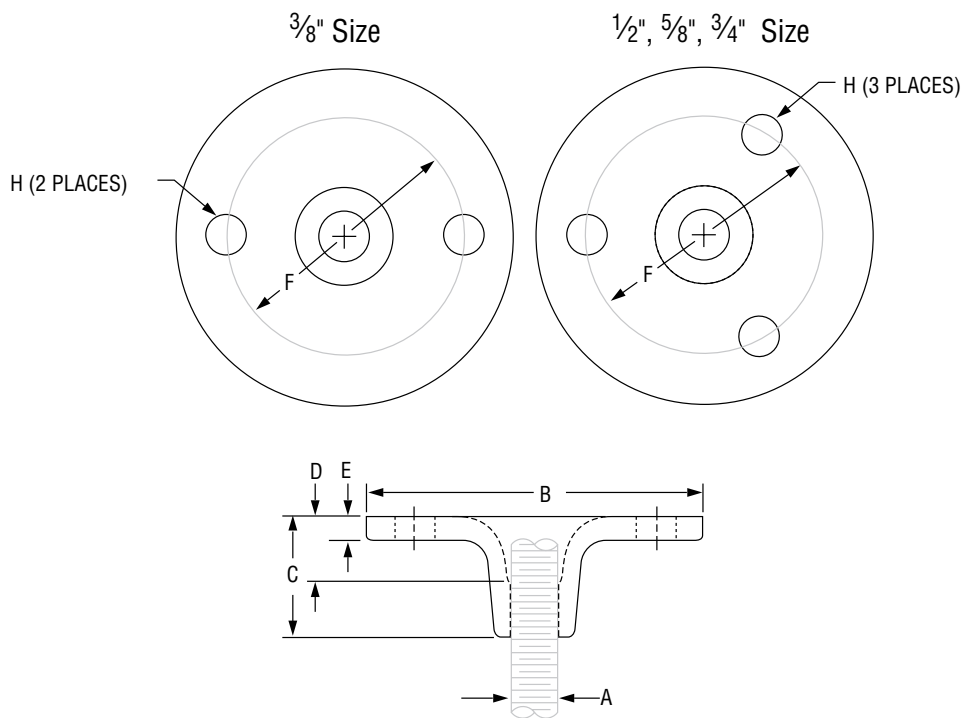


FIG. 153: DIMENSIONS (IN) • LOAD (LBS) • WEIGHT (LBS)

Rod Size A	Max Load	Weight	Size Screw "H" (not included)	B	C	D	E	Screw Circle Dia. - F
$\frac{3}{8}$	425	0.4	#18 x $1\frac{1}{2}$	$2\frac{7}{8}$	$1\frac{3}{8}$	$\frac{7}{8}$	$\frac{3}{16}$	2
$\frac{1}{2}$	1,050	0.9	$\frac{3}{8}$ x 2	4	$1\frac{1}{2}$	$1\frac{5}{16}$	$\frac{1}{4}$	$2\frac{7}{8}$
$\frac{5}{8}$	1,220	1.5	$\frac{1}{2}$ x 2	$4\frac{3}{4}$	$1\frac{5}{8}$	1	$\frac{5}{16}$	$3\frac{3}{8}$
$\frac{3}{4}$	1,270	2.2	$\frac{9}{16}$ x 2	$5\frac{1}{4}$	$1\frac{7}{8}$	$1\frac{1}{16}$	$\frac{3}{8}$	$3\frac{5}{8}$

Fig. 610 (Formerly Afcon Fig. 610)

Ceiling Plate

Size Range: 3/8" rod

Material: Carbon Steel

Finish: Electro-Galvanized per ASTM B633

Service: Ceiling plate mounts on the underside of wood and steel to support up to 4" NPS horizontal piping.

Approvals: cULus Listed (UL 203)

Installation:

- Mount on the underside of wood or steel using the fasteners listed in NFPA 13 and the mounting fastener table listed below.
- Fully thread the rod through the threaded mounting hole.

Features:

- Fastener array optimizes the fastener size and placement for various structure types and pipe sizes.

Ordering: Specify figure number, finish, and description.

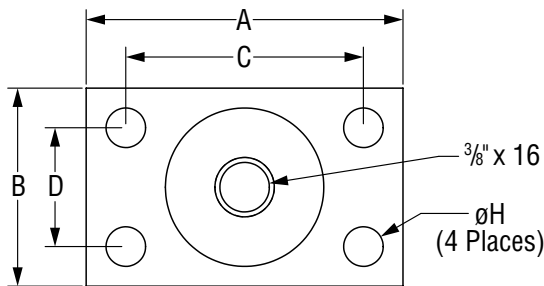
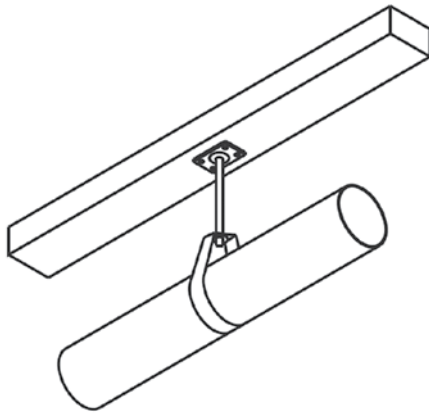


FIG. 610: DIMENSION (IN) • WEIGHT (LBS)						
Rod Size	A	B	C	D	øH	Approx. Weight/100
3/8	2	1 1/4	1 1/2	3/4	1/4	20

cULus LISTED MOUNTING FASTENERS POSITIONS	
QTY of 2 Fasteners	QTY of 4 Fasteners
<p>OR</p>	

cULus LISTED MOUNTING FASTENERS FOR STEEL PIPE			
Structure	Fastener Options	QTY	Pipe Size
Wood	1/4" x 1 1/2" Lag Screw #14 x 1 1/2" TEK Screw	2	≤ 3"
Wood	1/4" x 1 1/2" Lag Screw #14 x 1 1/2" TEK Screw	4	≤ 4"
Steel (14ga Min)	1/4" x 1" TEK Screw #14 x 1" TEK Screw	2	≤ 4"
Steel (16ga Min)	1/4" x 1" TEK Screw #14 x 1" TEK Screw	2	≤ 2"
Steel (16ga Min)	1/4" x 1" TEK Screw #14 x 1" TEK Screw	4	≤ 4"
Steel (18ga Min)	#10 x 1" TEK Screw	4	≤ 2 1/2"
Steel (20ga Min)	#10 x 1" TEK Screw	4	≤ 2 1/2"
Steel (22ga Min)	#10 x 1" TEK Screw	4	≤ 2"

Note: Sheet Metal Screws are acceptable alternatives for TEK Screws. If installing through gypsum board or sheetrock into wood, the fastener length must be increased. A minimum of 1 3/8" screw embedment in the wood is required.

- Table of Contents
- Pictorial TOC
- General Notes
- Clevis Hangers & Shields
- Ring Hangers
- Pipe Clamps
- Riser Clamps
- U-Bolts & Straps
- CPVC
- AWWA
- Beam Clamps
- Ceiling Plates & Flanges
- Wall Brackets
- Welded Attachments
- Concrete Inserts & Attachments
- Rod & Eye Rods
- Rod Couplings & Turnbuckles
- Swivel Attachments
- Hardware & Accessories

WALL BRACKETS

Fig. 194 (Formerly Afcon Fig. 770)

Light Welded Steel Bracket

Material: Carbon steel

Finish: Plain or Hot-Dip Galvanized

Service: Recommended for support from below or above bracket.

Approvals: Complies with Federal Specification A-A-1192A (Type 31), WW-H-171-E (Type 32), ANSI/MSS SP-69 and MSS SP-58 (Type 31). FM Approved when used with $\frac{3}{8}$ " rod, $\frac{3}{4}$ " - 4" pipe sizes & $\frac{1}{2}$ " rod, 5" - 8" pipe sizes.

How to size: Determine bracket size by dimension of standard bracket most suitable to the installation.

Installation: When bolted to a wall, an additional back plate may be required of such thickness and size as to properly distribute the weight over the wall. Size and thickness of the back plate is governed by the load to be carried and the nature and conditions of the wall. Back plates furnished upon request.

Features:

- Bracket may be installed either in position illustrated or reversed.
- Ends of bracket are drilled to accept hanger rods up to $\frac{3}{4}$ ".

Ordering: Specify bracket number, figure number, name and finish.

Order separately: Hanger rods, 2 bolts and plate washers are available through our Regional Service Centers, order as a Figure 193.

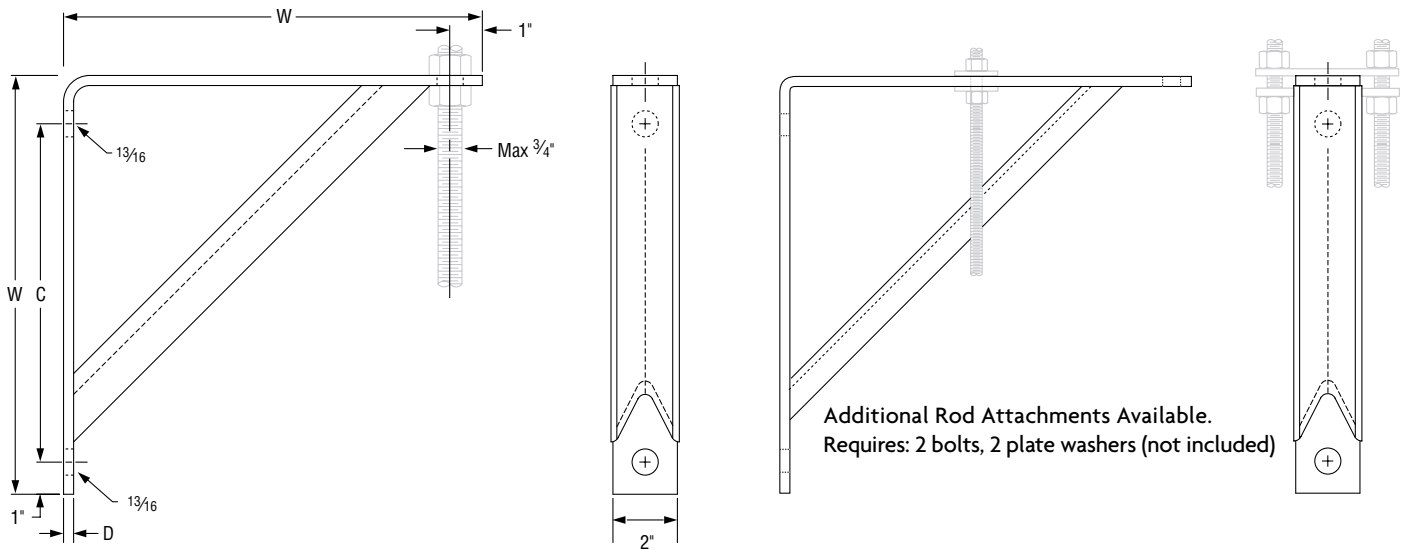


FIG. 194: DIMENSIONS (IN) • LOAD (LBS) • WEIGHT (LBS)					
Bracket no.	Max Load	Weight	W	C	D
1	750	3.1	9	6½	5/16
2		7.7	13	10½	
3		12.8	19	16½	3/8

Fig. 195

Medium Welded Steel Bracket

Material: Carbon steel

Finish: Plain or Hot-Dip Galvanized

Service: Recommended for the support of loads from below or above bracket.

Approvals: Complies with Federal Specification A-A-1192A (Type 32), WW-H-171-E (Type 33), ANSI/MSS SP-69 and MSS SP-58 (Type 32).

How to size: Determine size by dimensions most suitable to the installation (see dimensions of standard brackets below). Special welded steel brackets can be furnished on order.

Installation: When bolted to a wall, an additional back plate may be required of such thickness and size as to properly distribute the weight over the wall. Size and thickness of the back plate is governed by the load to be carried and the nature and conditions of the wall. Back plates furnished upon request.

Features: If supporting pipe by rod, rod can be installed anywhere along the length of the bracket thus providing horizontal adjustment.

Ordering: Specify bracket number, figure number, name and finish. Orders for special brackets are to be accompanied by detailed sketch.

Order Separately: Rod, Fig. 60, bolts, nuts, and back plates for fastening brackets to wall. Specify size and length of rod, bolts size, thickness, and drilling of back plates.

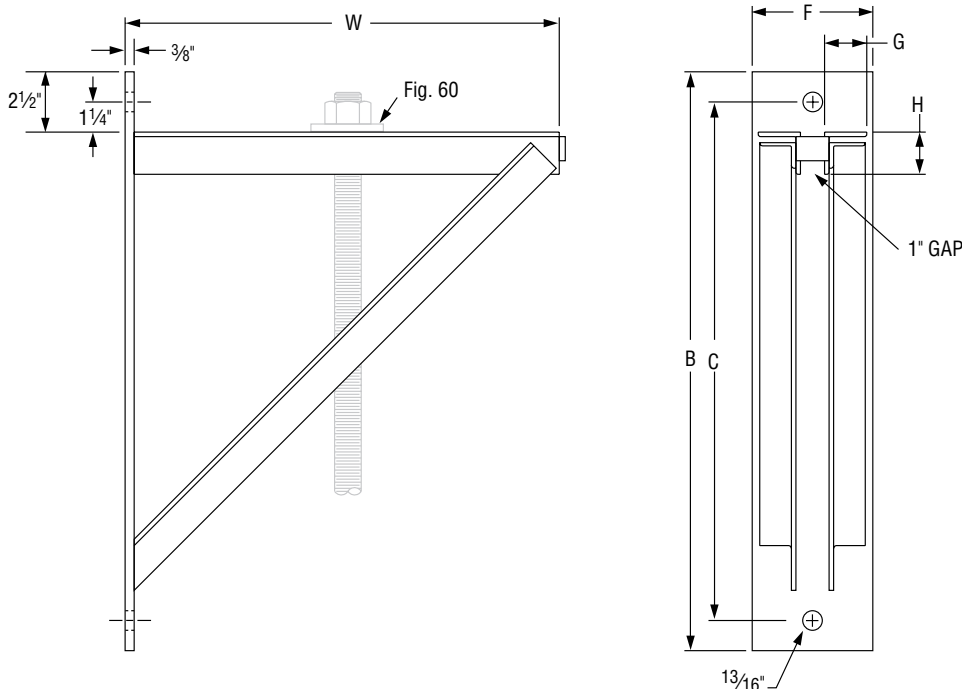


FIG. 195: DIMENSIONS (IN) • LOAD (LBS) • WEIGHT (LBS)

Bracket no.	Max Load	Weight	W	B	C	F	G	H
0	1,500	17.4	12	18	15½	4	1½	1½
1		27.3	18	24	21½	5	1¾	1¾
2		47.7	24	30	27½		2	2

WALL BRACKETS

Fig. 199

Heavy Welded Steel Bracket

Material: Carbon steel

Finish: Plain or Hot-Dip Galvanized

Service: Recommended for the support of loads from above or below bracket.

Approvals: Complies with Federal Specification A-A-1192A (Type 33)

WW-H-171-E (Type 34), ANSI/MSS SP-69 and MSS SP-58 (Type 33).

How to size: Determine size by dimensions most suitable to the installation (see dimensions of standard brackets below). Special welded steel brackets can be furnished on order.

Installation: When bolted to a wall, an additional back plate may be required of such thickness and size as to properly distribute the weight over the wall. Size and thickness of the back plate is governed by the load to be carried and the nature and conditions of the wall. Back plates furnished upon request.

Features: If supporting pipe by rod, rod can be installed at any point along the length of the bracket thus providing horizontal adjustment.

Ordering: Specify bracket number, figure number, name. Orders for special brackets are to be accompanied by detailed sketch.

Order Separately: Rod, Fig. 60, bolts, nuts, and back plates for fastening brackets to wall. Specify size and length of rod, bolts size, thickness, and drilling of back plates.

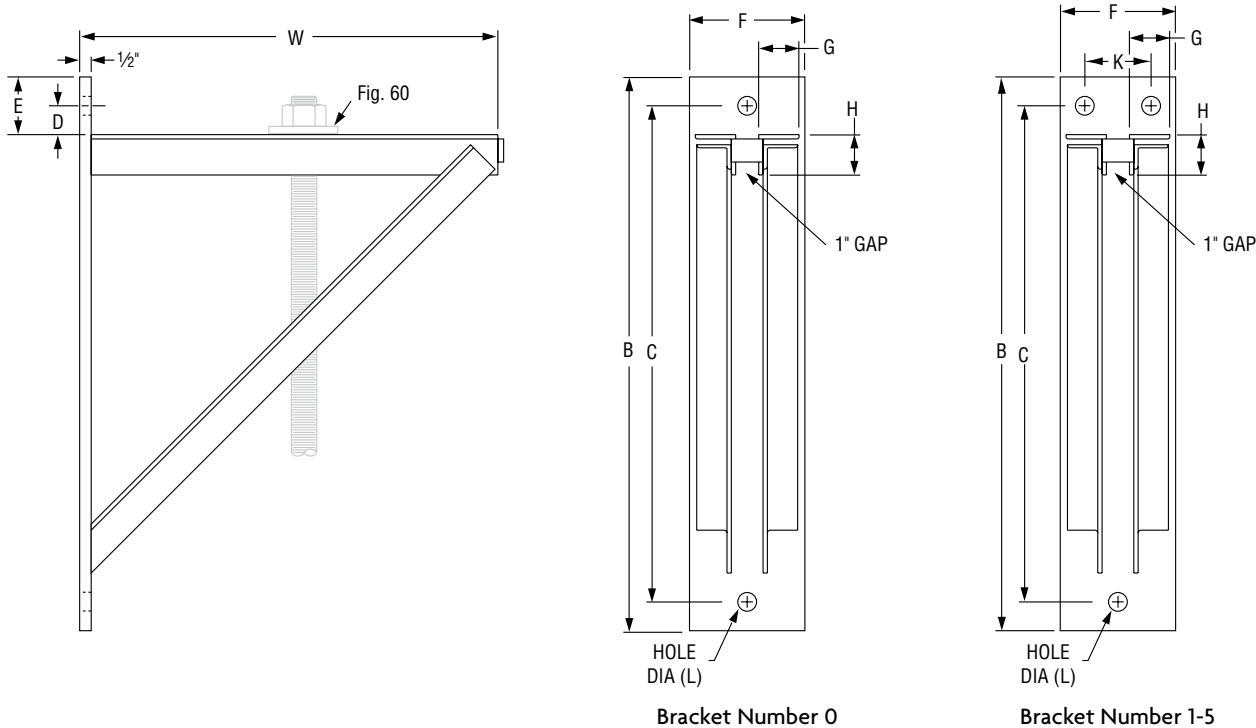
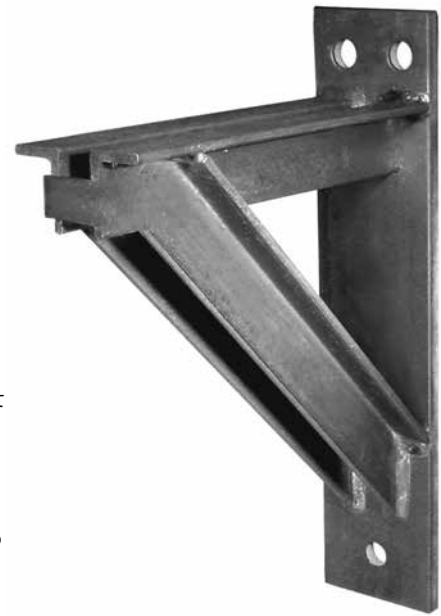


FIG. 199: DIMENSIONS (IN) • LOAD (LBS) • WEIGHT (LBS)

Bracket no.	Max Load	Weight	W	B	C	D	E	F	G	H	K	L
0	3,000	24.3	12	18	15 ³ / ₄	1 ³ / ₈	2 ³ / ₄	4	1 ¹ / ₄	2	—	1 ³ / ₁₆
1		51.8	18	24	21 ³ / ₈	1 ⁷ / ₁₆		5	2		2 ³ / ₄	1 ⁵ / ₁₆
2		68.9	24	30	27 ¹ / ₂	1 ¹ / ₂	3	6	2 ¹ / ₂	3 ¹ / ₂	2 ¹ / ₂	1 ¹ / ₁₆
3		86.1	30	36	33 ³ / ₄	1 ⁵ / ₈						
4		140.5	36	42	39	1 ¹ / ₂						
5	166.4	42	50	46		3 ¹ / ₂						

Fig. 202

Iron Side Beam Bracket

Size Range: $\frac{3}{8}$ " through $\frac{5}{8}$ "

Material: Malleable iron

Finish: Plain

Service: Recommended for attachment to steel or wooden beams, etc.

Approvals: Complies with Federal Specification A-A-1192A (Type 34) WW-H-171-E (Type 35), ANSI/MSS SP-69 and MSS SP-58 (Type 34).

UL, ULC Listed and FM Approved (Sizes $\frac{3}{8}$ " for use on wooden and steel beams and $\frac{1}{2}$ " for use on steel beams).

Features: An economical, practical and adjustable means of securing hangers to beams, etc.

Ordering: Specify rod size, figure number, name and finish.

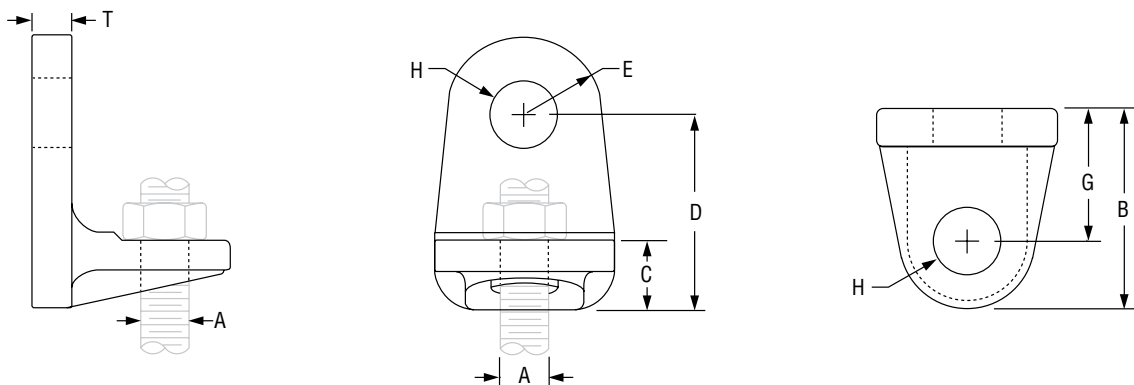


FIG. 202: DIMENSIONS (IN) • LOAD (LBS) • WEIGHT (LBS)

Rod Size A	Max Load ■		Weight	B	C	D	E	Hole Dia. H	G	T
	With Lag Screw	With Bolt to Steel								
$\frac{3}{8}$	390	730	0.26	$1\frac{1}{8}$	$\frac{5}{8}$	$1\frac{7}{16}$	$\frac{17}{32}$	$\frac{7}{16}$	$\frac{7}{8}$	$\frac{1}{4}$
$\frac{1}{2}$	640	1,350	0.54	$1\frac{13}{16}$	$\frac{3}{4}$	$1\frac{7}{8}$	$2\frac{1}{32}$	$\frac{9}{16}$	$1\frac{3}{16}$	$1\frac{11}{32}$
$\frac{5}{8}$	760	2,160	0.94	$2\frac{3}{16}$	$\frac{7}{8}$	$2\frac{1}{8}$	$\frac{7}{8}$	$\frac{3}{4}$	$1\frac{1}{16}$	$\frac{7}{16}$

■ Maximum temperature of 450° F.

- Table of Contents
- Pictorial TOC
- General Notes
- Clevis Hangers & Shields
- Ring Hangers
- Pipe Clamps
- Riser Clamps
- U-Bolts & Straps
- CPVC
- AWWA
- Beam Clamps
- Ceiling Plates & Flanges
- Wall Brackets**
- Welded Attachments
- Concrete Inserts & Attachments
- Rod & Eye Rods
- Rod Couplings & Turnbuckles
- Swivel Attachments
- Hardware & Accessories

WALL BRACKETS

Fig. 206 (Formerly Afcon Fig. 556/560/565)

Steel Side Beam Bracket

Size Range: $\frac{3}{8}$ " through $\frac{5}{8}$ "

Material: Carbon steel

Finish: Plain or Zinc Plated (Hot-Dip Galvanized optional)

Service: Clip can be fastened to side of joist or wall to support hanger rod.

Approvals: Complies with Federal Specification A-A-1192A (Type 34), WW-H-171-E (Type 35) and ANSI/MSS SP-69 and MSS SP-58 (Type 34). UL Listed and FM Approved (steel beam only).

Ordering: Specify rod size, figure number, name and finish.

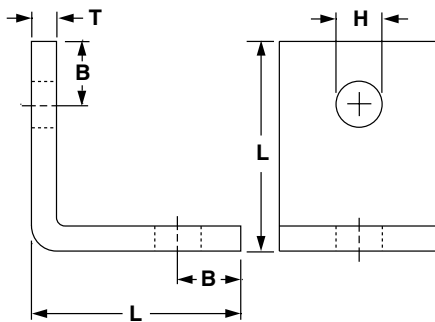


FIG. 206: DIMENSIONS (IN) • LOADS (LBS) • WEIGHT (LBS)

Rod Size A	Max Load		Weight (lbs).	L	B	Hole Size H	T
	With Lag Screw	With Bolt to Steel					
$\frac{3}{8}$	650	1,150	0.44	$2\frac{1}{16}$	$\frac{5}{8}$	$\frac{7}{16}$	$\frac{1}{4}$
$\frac{1}{2}$			0.43			$\frac{9}{16}$	
$\frac{5}{8}$	850	2,000	0.84	$2\frac{1}{2}$	$\frac{3}{4}$	$\frac{11}{16}$	$\frac{3}{8}$

Fig. 207 (Formerly Afcon Fig. 553/555)

Threaded Steel Side Beam Bracket

Size Range: $\frac{3}{8}$ " and $\frac{1}{2}$ "

Material: Carbon steel

Finish: Plain or Zinc Plated

Service: Recommended for attachment to steel or wooden beams, etc.

Approvals: Complies with Federal Specification A-A-1192A (Type 34), WW-H-171-E (Type 35), ANSI/MSS SP-69 and MSS SP-58 (Type 34). UL Listed (Sizes $\frac{3}{8}$ " and $\frac{1}{2}$ ").

FM Approved (Size $\frac{3}{8}$ " for use on steel beam only)

Features: Threaded mounting bracket provides an economical, practical, and adjustable means of securing hangers to beams.

Ordering: Specify rod size, figure number, name and finish.

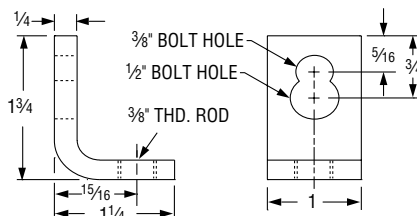


Fig. 207 $\frac{3}{8}$ "

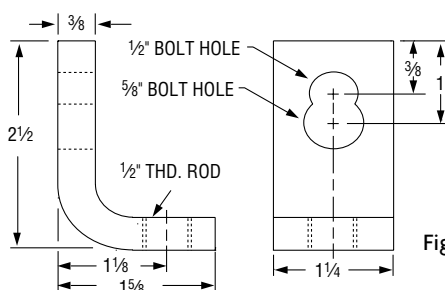


Fig. 207 $\frac{1}{2}$ "

FIG. 207: DIMENSIONS (IN) • LOADS (LBS) • WEIGHT (LBS)

Rod Size A	Bolt Size	Max Load		Weight
		With Lag Screw	With Bolt to Steel	
$\frac{3}{8}$	$\frac{3}{8}$	400	620	0.17
	$\frac{1}{2}$	560		
$\frac{1}{2}$	$\frac{1}{2}$	650	1,150	0.42
	$\frac{5}{8}$	850		

Fig. 550 (Formerly Afcon Fig. 550)

Revolver Swivel

Size Range: $\frac{3}{8}$ " rod

Material: Carbon Steel

Finish: Pre-Galvanized per ASTM A653

Service: Wall Bracket mounts on the side and underside of wood, steel, and concrete walls and beams to support up to 4" NPS horizontal piping.

Approvals: cULus Listed (UL 203)

Patents: No. 6,568,642

Installation:

- Mount on the side or underside of wood, steel, or concrete walls and beams using the fasteners listed in NFPA 13 and the mounting fastener table listed below.
- Thread the hanger rod or restraint rod into the hex union until it bottoms. Back rod off a maximum of one turn to allow the hex union to swivel freely. Adjust angle as necessary.
- If the Fig. 550 is exposed to vibration from the piping system or the structure, jam nuts may be installed on the mounting bolt and the threaded rod.
- Fire Protection applications shall also be installed per NFPA 13 requirements.

Features:

- Universal fastener array optimizes the fastener size and placement for various structure types and pipe sizes.
- No backing nuts are required on the rod.
- Center mounting hole accepts $\frac{3}{8}$ " and $\frac{1}{2}$ " fasteners

Ordering: Specify figure number and description.

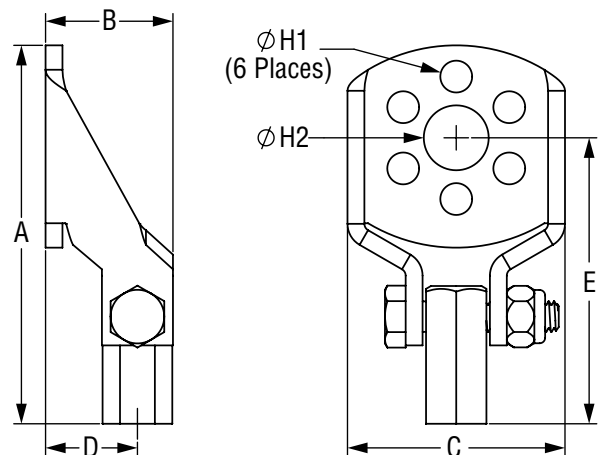


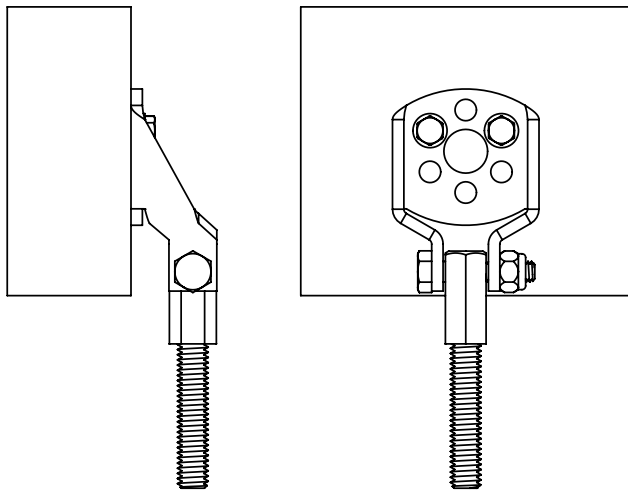
FIG. 550: DIMENSIONS (IN) • WEIGHT (LBS)								
Rod Size	A	B	C	D	E	ØH1	ØH2	Approx. Weight/100
$\frac{3}{8}$	3	1	1 $\frac{3}{4}$	$\frac{3}{4}$	2 $\frac{3}{8}$	$\frac{1}{4}$	$\frac{1}{2}$	20

- Table of Contents
- Pictorial TOC
- General Notes
- Clevis Hangers & Shields
- Ring Hangers
- Pipe Clamps
- Riser Clamps
- U-Bolts & Straps
- CPVC
- AWWA
- Beam Clamps
- Ceiling Plates & Flanges
- Wall Brackets
- Welded Attachments
- Concrete Inserts & Attachments
- Rod & Eye Rods
- Rod Couplings & Turnbuckles
- Swivel Attachments
- Hardware & Accessories

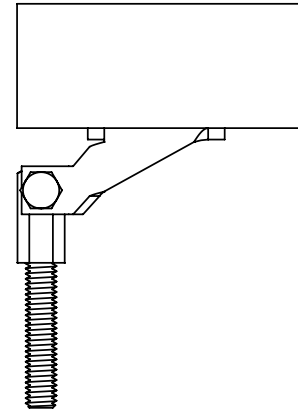
WALL BRACKETS

Fig. 550 (Formerly Afcon Fig. 550)

Revolver Swivel (cont.)



Horizontal Installation



Vertical Installation

cULus LISTED MOUNTING FASTENERS FOR STEEL PIPE

HORIZONTAL INSTALLATION					VERTICAL AND ANGLED INSTALLATION				
Structure	Fastener	QTY	Pipe Size	Fastener Position	Structure	Fastener	QTY	Pipe Size	Fastener Position
Wood	¼ x 1½" Lag Screw #14 x 1½" TEK Screw	1	≤ 2"		Wood	¼ x 2" Lag Screw #14 x 2" TEK Screw	2	≤ 4"	
Wood	¼ x 1½" Lag Screw #14 x 1½" TEK Screw	2	≤ 4"		Steel (¼" Min)	¼ or #14 TEK Screw	1	≤ 2"	
Wood ¹	¾ x 2½" Lag Screw	1	≤ 2"		Steel (¼" Min)	¼ or #14 TEK Screw	2	≤ 4"	
Wood ¹	½ x 3" Lag Screw	1	≤ 4"		Note 1: Per NFPA 13-2016 Table 9.1.5.3.1 and NFPA 13-2013 Table 9.1.5.3.1 Note 2: Sheet Metal Screws are acceptable alternatives for TEK Screws				
Steel (14ga Min)	#14 x 1" TEK Screw	1	≤ 3"						
Steel (14ga Min)	#14 x 1" TEK Screw	2	≤ 4"						
Steel (16ga Min)	#14 x 1" TEK Screw	1	≤ 2½"						
Steel (16ga Min)	#14 x 1" TEK Screw	2	≤ 4"						
Steel (18ga Min)	#14 x 1" TEK Screw	1	≤ 2½"						
Steel (18ga Min)	#14 x 1" TEK Screw	2	≤ 3"						
Steel (18ga Min)	#14 x 1" TEK Screw	3	≤ 4"						

Fig. 551 (Formerly Afcon Fig. 551)

Revolver Bracket

Size Range: $\frac{3}{8}$ " rod

Material: Carbon Steel

Finish: Pre-Galvanized per ASTM A653

Service: Wall Bracket mounts on the side of wood, steel, and concrete walls and beams to support up to 4" NPS horizontal piping.

Approvals: cULus Listed (UL 203)

Patents: No. 6,568,642

Installation:

- Mount on the side of wood, steel, or concrete walls and beams using the fasteners listed in NFPA 13 and the mounting fastener table listed below.
- Fully thread the rod through the threaded mounting hole.

Features:

- Universal fastener array optimizes the fastener size and placement for various structure types and pipe sizes.
- Threaded mounting hole features a lead-in radius for easier installation.
- No backing nuts are required on the rod.
- Center mounting hole accepts $\frac{3}{8}$ " and $\frac{1}{2}$ " fasteners

Ordering: Specify figure number and description.

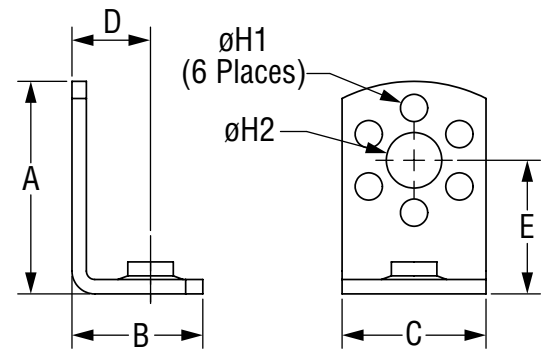


FIG. 551: DIMENSIONS (IN) • WEIGHT (LBS)								
Rod Size	A	B	C	D	E	ØH1	ØH2	Approx. Weight/100
$\frac{3}{8}$	2	1¼	1¾	¾	1¼	¼	½	12

- Table of Contents
- Pictorial TOC
- General Notes
- Clevis Hangers & Shields
- Ring Hangers
- Pipe Clamps
- Riser Clamps
- U-Bolts & Straps
- CPVC
- AWWA
- Beam Clamps
- Ceiling Plates & Flanges
- Wall Brackets
- Welded Attachments
- Concrete Inserts & Attachments
- Rod & Eye Rods
- Rod Couplings & Turnbuckles
- Swivel Attachments
- Hardware & Accessories

Fig. 551 (Formerly Afcon Fig. 551)

Revolver Bracket (cont.)

cULus LISTED MOUNTING FASTENERS FOR STEEL PIPE									
Structure	Fastener	QTY	Pipe Size	Fastener Position	Structure	Fastener	QTY	Pipe Size	Fastener Position
Wood	¼ x 1½" Lag Screw #14 x 1½" TEK Screw	1	≤ 2"		Steel (18ga Min)	#14 x 1" TEK Screw	3	≤ 4"	
Wood	¼ x 1½" Lag Screw #14 x 1½" TEK Screw	2	≤ 4"		Steel (20ga Min)	#14 x 1" TEK Screw	1	≤ 2"	
Wood	#16 x 2" Drive Screw	2	≤ 2"		Steel (20ga Min)	#14 x 1" TEK Screw	2	≤ 3"	
Wood	#16 x 2" Drive Screw	3	≤ 4"		Steel (20ga Min)	#14 x 1" TEK Screw	3	≤ 4"	
Wood¹	¾ x 2½" Lag Screw	1	≤ 2"		Steel (22ga Min)	#14 x 1" TEK Screw	3	≤ 2½"	
Wood¹	½ x 3" Lag Screw	1	≤ 4"		Steel (18ga Min)	#10 x 1" TEK Screw	1	≤ 2½"	
Steel (14ga Min)	#14 x 1" TEK Screw	1	≤ 3"		Steel (18ga Min)	#10 x 1" TEK Screw	2	≤ 3"	
Steel (14ga Min)	#14 x 1" TEK Screw	2	≤ 4"		Steel (18ga Min)	#10 x 1" TEK Screw	3	≤ 4"	
Steel (16ga Min)	#14 x 1" TEK Screw	1	≤ 2½"		Steel (20ga Min)	#10 x 1" TEK Screw	2	≤ 3"	
Steel (16ga Min)	#14 x 1" TEK Screw	2	≤ 4"		Steel (20ga Min)	#10 x 1" TEK Screw	4	≤ 4"	
Steel (18ga Min)	#14 x 1" TEK Screw	1	≤ 2½"		Steel (22ga Min)	#10 x 1" TEK Screw	3	≤ 3"	
Steel (18ga Min)	#14 x 1" TEK Screw	2	≤ 3"		Note 1: Per NFPA 13-2016 Table 9.1.5.3.1 and NFPA 13-2013 Table 9.1.5.3.1 Note 2: Sheet Metal Screws are acceptable alternatives for TEK Screws				

Fig. 54

Two Hole Welding Beam Lug

Size Range: 1/2" through 2 1/4"

Material: Carbon steel

Finish: Plain or Hot-Dip Galvanized

Service: For single rod suspension of Fig. 81-H, type B and C constant supports.

Ordering: Specify rod size, figure number, name, finish and "H" dimension.

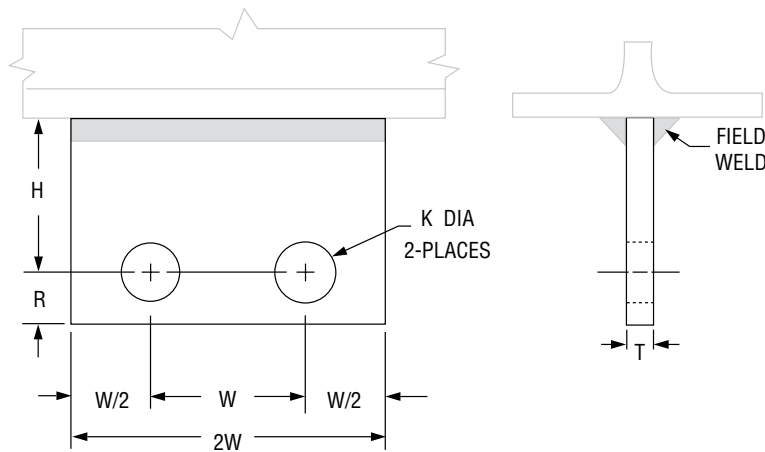
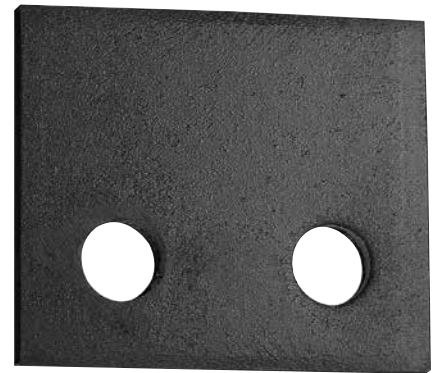


FIG. 54: DIMENSIONS (IN) • LOAD (LBS) • WEIGHT (LBS)

Rod Size A *	Max Load	Weight "H" Dimension ▲				Rod Take Out - "H" Dimension Constant Support Frame Sizes					Pin or Bolt	K Hole	R	T	W	2W	W/2
		1½	2	3	4	1-9	10-18	19-34	35-49	50-63							
1/2	1,350	1.4	1.7	2.2	-	1½	1½	2	3	-	5/8	1 1/16	1¼	3/8	2½	5	1¼
5/8	2,160	1.4	1.6	2.2	-					-	3/4	13/16					
¾	3,230	1.3	1.6	2.1	2.6	-	-	7/8	15/16								
1	5,900	-	2.6	3.5	4.3	-	-	4	1	1¼	1½	½	3	6	1½		
1¼	9,500	-	5.0	6.5	7.9	-	-		1½	1½	2	5/8	4	8	2		
1½	13,800	-	-	10.7	12.8	-	-	-	1¾	1¾	2½	¾	5	10	2½		
1¾	18,600	-	-	10.4	12.5	-	-	-	1 7/8	2							
2	24,600	-	-	-	16.0	-	-	-	2¼	2¾	3	¾	6	12	3		
2¼	32,300	-	-	-	15.6	-	-	-	2½	2¾							

Select "H" dimension applicable to constant support frame size.

▲ Weight varies with "H" dimension.

* Note: Rod size "A" is the assembly rod diameter. Dimension not shown on drawing

- Table of Contents
- Pictorial TOC
- General Notes
- Clevis Hangers & Shields
- Ring Hangers
- Pipe Clamps
- Riser Clamps
- U-Bolts & Straps
- CPVC
- AWWA
- Beam Clamps
- Ceiling Plates & Flanges
- Wall Brackets
- Welded Attachments**
- Concrete Inserts & Attachments
- Rod & Eye Rods
- Rod Couplings & Turnbuckles
- Swivel Attachments
- Hardware & Accessories

Fig. 55 (Short)
Fig. 55L (Long)

Structural Welding Lug

Size Range: Fig. 55: 1/2" through 3 3/4"
Fig. 55L 1/2" through 2"

Material: Carbon steel

Finish: Plain or Hot-Dip Galvanized

Service: For attachment to structural steel in conjunction with the Fig. 299 clevis and with type C variable spring hanger or Type C Constant Support.

Maximum Temperature: Plain 750° F, Galvanized 450° F

Approvals: Complies with Federal Specification A-A-1192A (Type 57), WW-H-171-E (Type 57), ANSI/MSS SP-69 and MSS SP-58 (Type 57).

Ordering: Specify rod size, figure number, name, finish and whether short or long lug is required.

Order Separately: Fig. 291 pin with cotters or bolt and nut

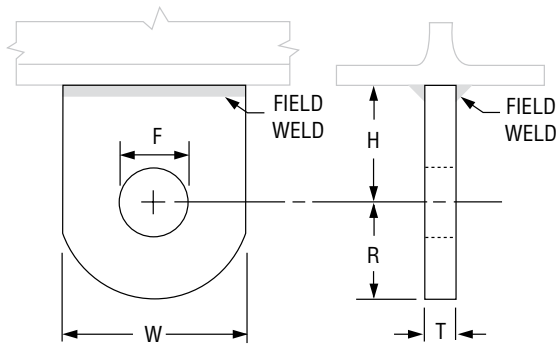


FIG. 55, FIG. 55L: DIMENSIONS (IN) • LOAD (LBS) • WEIGHT (LBS)

		Fig. 55, Fig. 55L				Fig. 55 (Short)		Fig. 55L (Long)			
Rod Size A*	Pin or Bolt Dia.	F	R	T	W	Max Load		Rod Take Out - H	Weight	Rod Take Out - H	Weight
						650° F	750° F				
1/2	5/8	1 1/16	1 1/4	1/4	2 1/2	1,350	1,057	1 1/2	0.48	3	0.75
5/8	3/4	1 3/16		2,160		1,692	0.41		0.68		
3/4	7/8	1 5/16		3,230		2,530	0.60		1.0		
7/8	1	1 1/8		4,480		3,508	0.71	0.98			
1	1 1/8	1 1/4	1 1/2	1/2	3	5,900	4,620	2	1.2		1.6
1 1/4	1 3/8	1 1/2	2	5/8	4	9,500	7,440	3	3.0	4	3.7
1 1/2	1 5/8	1 3/4	2 1/2	3/4	5	13,800	10,807		4.8	4 1/2	6.4
1 3/4	1 7/8	2				18,600	14,566	4.7	6.3		
2	2 1/4	2 3/8	3	1	6	24,600	19,265	4	7.2		8.8
2 1/4	2 1/2	2 5/8	4		8	8	32,300	25,295	7.6	-	-
2 1/2	2 3/4	2 7/8		4 1/2			9	9	39,800	31,169	15.5
2 3/4	3	3 1/8	4 1/2		1 1/2	9			49,400	38,687	15.1
3	3 1/4	3 3/8		4 1/2			1 1/4	9	60,100	47,066	16.0
3 1/4	3 1/2	3 5/8	6		9	9			71,900	56,307	18.9
3 1/2	3 3/4	3 7/8		6			1 1/4	9	84,700	66,331	31.3
3 3/4	4	4 1/8	98,500		77,139	35.9			-	-	

* Note: Rod size "A" is the assembly rod diameter. Dimension not shown on drawing

Fig. 60 (Formerly Afcon Fig. 962)

Steel Washer Plate

Size Range: 3/8" through 3 3/4"

Material: Carbon steel

Finish: Plain or Hot-Dip Galvanized

Service: A heavy duty washer plate used on top of channels or angles for supporting pipe with rods or U-bolts.

Maximum Temperature: Plain 750° F, Galvanized 450° F

Ordering: Specify rod size, figure number, name and finish.

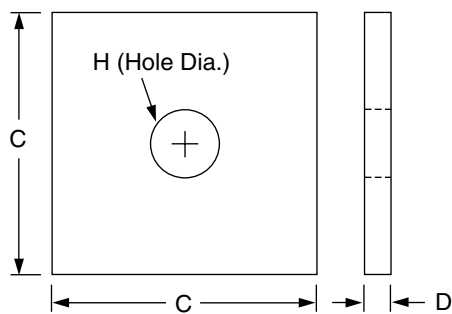
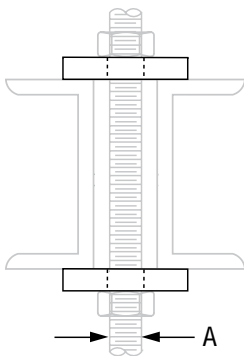
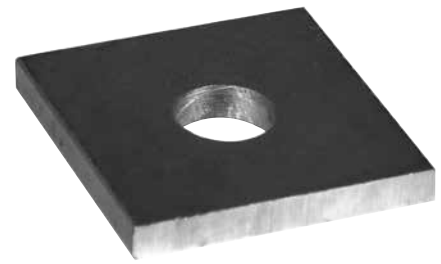


FIG. 60: DIMENSIONS (IN) • WEIGHT (LBS)

Rod Size A	Weight	Max Load		C x C x D Size of Stock	Hole Dia. H
		650° F	750° F		
3/8	0.6	730	572	3 x 3 x 1/4	1/2
1/2	0.6	1,350	1,057		5/8
5/8	0.9	2,160	1,692	3 x 3 x 3/8	3/4
3/4	1.6	3,230	2,530	4 x 4 x 3/8	7/8
7/8	2.2	4,480	3,508	4 x 4 x 1/2	1
1	2.1	5,900	4,620		1 1/4
1 1/4	3.3	9,500	7,440	5 x 5 x 1/2	1 1/2
1 1/2	4.8	13,800	10,807	5 x 5 x 3/4	1 3/4
1 3/4	4.7	18,600	14,566		2
2	4.5	24,600	19,265	6 x 6 x 3/4	2 1/4
2 1/4	6.6	32,300	25,295		2 1/2
2 1/2	6.4	39,800	31,169		2 3/4
2 3/4	6.2	49,400	38,687		3
3	5.9	60,100	47,066	7 x 7 x 3/4	3 1/4
3 1/4	5.6	71,900	56,307		3 1/2
3 1/2	8.1	84,700	66,331		3 3/4
3 3/4	7.8	98,500	77,139		4

- Table of Contents
- Pictorial TOC
- General Notes
- Clevis Hangers & Shields
- Ring Hangers
- Pipe Clamps
- Riser Clamps
- U-Bolts & Straps
- CPVC
- ANWA
- Beam Clamps
- Ceiling Plates & Flanges
- Wall Brackets
- Welded Attachments**
- Concrete Inserts & Attachments
- Rod & Eye Rods
- Rod Couplings & Turnbuckles
- Swivel Attachments
- Hardware & Accessories

Fig. 66

Welded Beam Attachment

Size Range: $\frac{3}{8}$ " through $3\frac{1}{2}$ "

Material: Carbon steel

Finish: Plain or Hot-Dip Galvanized

Service: Recommended for attachment to bottom of beams, especially where loads are considerable and rod sizes are large.

Maximum Temperature: Plain 750° F, Galvanized 450° F

Approvals: Complies with Federal Specification A-A-1192A (Type 22), WW-H-171-E (Type 22), ANSI/MSS SP-69 and MSS SP-58 (Type 22).

Installation: If flexibility at the beam is desired, use with bolt and eye rod Fig. 278, page 114, or with weldless eye nut Fig. 290, page 119. If vertical adjustment is desired, use with threaded rod and nut and weld the attachment in an inverted position to the beam.

Features:

- Will accommodate very heavy loads and rod sizes through $3\frac{1}{2}$ ".
- Can be installed so as to provide for either flexibility or for vertical adjustment.
- Versatility affords economical stocking and erection.
- Beam size need not be considered.

Ordering: Specify rod size, figure number, name and finish. Sizes 1" and smaller are typically supplied with a bolt and nut. Sizes $\frac{1}{4}$ " and larger are typically supplied with a pin and cotters.

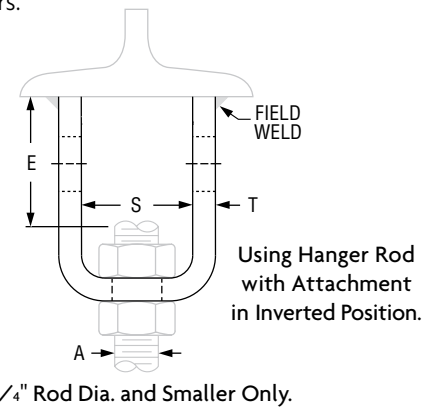
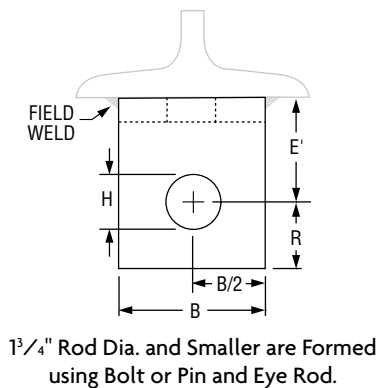
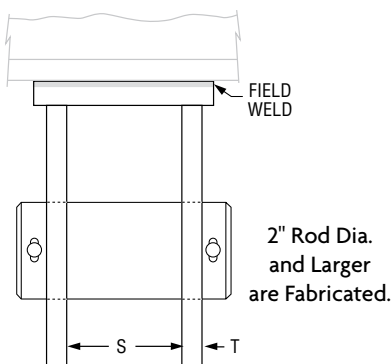
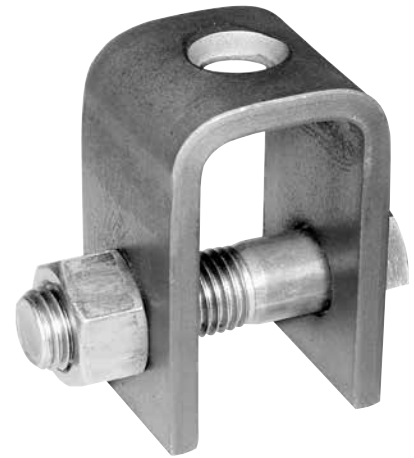


FIG: 66: DIMENSIONS (IN) • LOADS (LBS) • WEIGHT (LBS)

Rod Size A	Pin or Bolt Size	Max Load		Weight		Rod Take Out		B	H	R	S	T
		650° F	750° F	Without Bolt and Nut	With Bolt and Nut	E	E'					
$\frac{3}{8}$	$\frac{1}{2} \times 2\frac{1}{2}$	730	572	0.96	1.2	$1\frac{7}{8}$	2	2	$\frac{9}{16}$	$\frac{7}{8}$	$1\frac{1}{4}$	$\frac{1}{4}$
$\frac{1}{2}$	$\frac{5}{8} \times 2\frac{1}{2}$	1,350	1,057		1.3	$1\frac{3}{4}$			$\frac{11}{16}$			
$\frac{5}{8}$	$\frac{3}{4} \times 2\frac{3}{4}$	2,160	1,692		1.6				$\frac{13}{16}$			
$\frac{3}{4}$	$\frac{7}{8} \times 4$	3,230	2,530	1.9	2.8	$2\frac{5}{8}$	2½	$1\frac{5}{16}$	$1\frac{1}{8}$	$1\frac{1}{8}$	$\frac{3}{8}$	
$\frac{7}{8}$	1 x 4	4,480	3,508	2.5	3.9			$1\frac{1}{8}$	2	$1\frac{1}{4}$	2	2
1	$1\frac{1}{8} \times 5$	5,900	4,620	4.3	6.3	$2\frac{3}{4}$	3	3	$1\frac{1}{4}$	$1\frac{1}{2}$	$2\frac{1}{2}$	$\frac{1}{2}$
$1\frac{1}{4}$	$1\frac{3}{8} \times 5\frac{3}{8}$	9,500	7,440	8.1	10.2	$2\frac{7}{8}$		4	$1\frac{1}{2}$	2	2½	$\frac{5}{8}$
$1\frac{1}{2}$	$1\frac{5}{8} \times 6$	13,800	10,807	–	19.0	–	4	5	$1\frac{3}{4}$	$2\frac{1}{2}$	3	$\frac{3}{4}$
$1\frac{3}{4}$	$1\frac{7}{8} \times 6\frac{7}{8}$	18,600	14,566	–	24.2	–		5	5	2	$2\frac{3}{4}$	$3\frac{3}{4}$
2	$2\frac{1}{4} \times 6\frac{7}{8}$	24,600	19,265	–	30.6	–	6		6	$2\frac{3}{8}$	$3\frac{1}{4}$	$3\frac{1}{2}$
$2\frac{1}{4}$	$2\frac{1}{2} \times 7\frac{3}{8}$	32,300	25,295	–	36.8	–		$2\frac{3}{8}$		$3\frac{1}{2}$		
$2\frac{1}{2}$	$2\frac{3}{4} \times 7\frac{3}{8}$	39,800	31,169	–	39.7	–	5¾	6	$2\frac{3}{8}$	$3\frac{3}{4}$	$3\frac{1}{2}$	$\frac{5}{8}$
$2\frac{3}{4}$	3 x 7	49,400	38,687	–	40.8	–			$3\frac{1}{8}$	$3\frac{3}{4}$		
3	$3\frac{1}{4} \times 7$	60,100	47,066	–	46.7	–	6¼	7	4	$3\frac{3}{8}$	$3\frac{3}{4}$	$\frac{3}{4}$
$3\frac{1}{4}$	$3\frac{1}{2} \times 7\frac{3}{4}$	71,900	56,307	–	62.1	–				$3\frac{3}{8}$		
$3\frac{1}{2}$	$3\frac{3}{4} \times 7\frac{3}{4}$	84,700	66,331	–	72.4	–	7½	8	$3\frac{7}{8}$	$4\frac{1}{4}$	$\frac{3}{4}$	

Fig. 112 Fig. 113

Brace Fitting Complete Pipe End Only

Size Range: 1" and 1 1/4"

Material: Malleable iron bracket and pipe end; hex cap screw and nut.

Finish: Plain

Service: For bracing piping against sway and seismic movement.

Installation: Normally two fittings are used; a Fig. 112 complete attached to one end of an IPS nipple and a Fig. 113 pipe end only attached to the other end.

The brace fitting completely connects to the building structure while the pipe end only connects to the pipe attachment. Use with Fig. 212 FP pipe clamp see page 45.

Features:

- Two piece pivoted assembly accommodates any angle to structure.
- Sight hole in pipe end provides easy means of verifying proper thread engagement.

Ordering: Specify size, figure number, name.

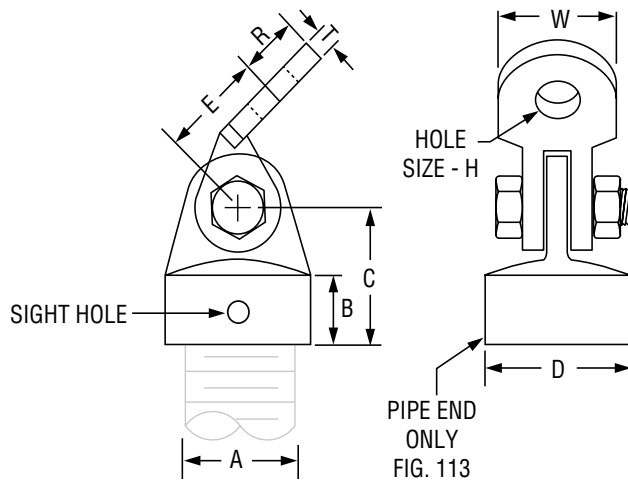


FIG. 112, FIG. 113: DIMENSIONS (IN) • LOADS (LBS) • WEIGHT (LBS)											
Pipe Size A	Max Load ■	Weight		B	C	D	E	Hole Dia. H	R	T	W
		Fig. 112	Fig. 113								
1	850	0.95	0.50	1	2 ³ / ₁₆	1 ¹ / ₁₆	1 ¹ / ₂	9 ⁹ / ₁₆	3 ³ / ₄	1 ¹ / ₄	1 ¹ / ₂
1 1/4	1,150	1.40	0.80			2 ³ / ₁₆		3 ³ / ₄	5 ⁵ / ₁₆	1 ¹ / ₄	

■ Based on MSS-SP 127 at 450° F and maximum nipple length of 6 feet.

- Table of Contents
- Pictorial TOC
- General Notes
- Clevis Hangers & Shields
- Ring Hangers
- Pipe Clamps
- Riser Clamps
- U-Bolts & Straps
- CPVC
- AWWA
- Beam Clamps
- Ceiling Plates & Flanges
- Wall Brackets
- Welded Attachments**
- Concrete Inserts & Attachments
- Rod & Eye Rods
- Rod Couplings & Turnbuckles
- Swivel Attachments
- Hardware & Accessories

Fig. 152

Screw Concrete Insert

Size Range: $\frac{3}{8}$ " through $\frac{7}{8}$ "

Material: Malleable iron

Finish: Plain

Service: Upper attachment for suspending pipe from a concrete ceiling where no lateral adjustment is required.

Approvals: UL, ULC Listed and FM Approved.

Features:

- Eliminates the necessity of drilling holes in wooden forms.
- Reduced overall height and four slots for nail attachment gives stability to the insert while the concrete is being poured.

Ordering: Specify rod size, figure number and name.

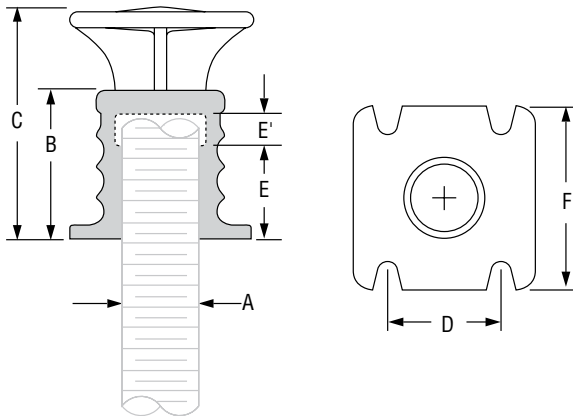


FIG. 152: DIMENSIONS (IN) • LOADS (LBS) • WEIGHT (LBS)

Rod Size A	Max Load ■	Weight	B	C	D	E	E'	F
$\frac{3}{8}$	730	0.31	$1\frac{1}{32}$	$2\frac{1}{4}$	1	$\frac{1}{2}$	$\frac{3}{8}$	$1\frac{1}{8}$
$\frac{1}{2}$	1,130	0.32				$\frac{5}{8}$		
$\frac{5}{8}$	1,260	0.37	$1\frac{7}{32}$	$2\frac{1}{2}$	$1\frac{1}{4}$	$1\frac{5}{16}$	$\frac{7}{16}$	2
$\frac{3}{4}$	2,500	0.64	$1\frac{5}{8}$			1	$\frac{3}{8}$	
$\frac{7}{8}$		0.71						

■ Based on insert only. Rating is subject to the condition that the concrete used is of sufficient strength to hold the insert.

Fig. 281

Wedge Type Concrete Insert

Size Range: $\frac{3}{8}$ " through $\frac{7}{8}$ "

Material: Carbon steel body; malleable iron nut

Finish: Plain or Zinc Plated

Service: Upper attachment for suspending pipe or conduit from concrete ceiling.

Approvals: Complies with Federal Specification A-A-1192A (Type 18), WW-H-171-E (Type 19), ANSI/MSS SP-69 and MSS SP-58 (Type 18). UL, ULC Listed and FM Approved (Sizes $\frac{3}{8}$ " - $\frac{3}{4}$ ").

Installation:

1. Nail insert to wooden forms.
2. Where convenient, reinforcing rods may be placed in the opening through the top of the insert, or short lengths of reinforcing rod may be wired to the insert prior to pouring concrete. However, note that the specified load ratings and approvals are not dependent on the use of any reinforcing rods in contact with the insert.
3. After concrete is poured and forms removed, insert screw driver into slot in knockout plate and snap it out.
4. The nut may be put on the rod before inserting in the insert body. Then, turn rod so that elongated nut lies across the slot; screw rod through nut until rod is firmly against the top of the recess.

Features:

- Nut may be put on hanger rod before insertion, avoiding need of locating nut in insert body prior to inserting rod.
- Insert nut, when located in position, wedges against the sloping sides of insert, providing greater support than if resting on lower edge of the insert body.
- Wedge-shaped body is so held by concrete in compression thus increasing load carrying capacity.
- Easily removed knockout plate.
- Rod can be adjusted along complete length of slot.
- One body for six sizes of rod.

Ordering: Specify figure number, name and size of nut.

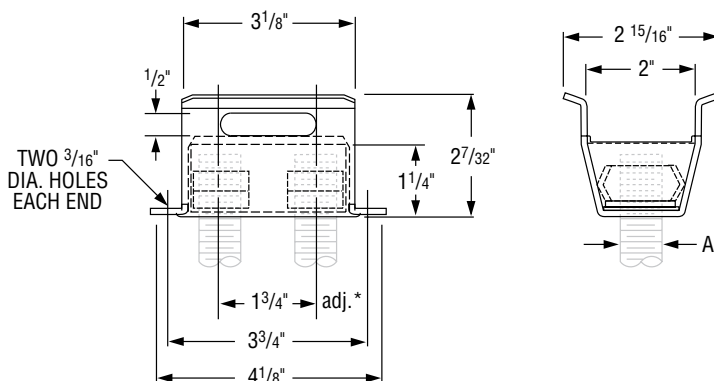


FIG. 281:
DIMENSIONS (IN) • LOADS (LBS) • WEIGHT (LBS)

	Rod Size A	Max Load ■	Weight
Insert Complete With Nut	$\frac{3}{8}$	730	0.82
	$\frac{1}{2}$	1,130	0.86
	$\frac{5}{8}$	1,200	0.89
	$\frac{3}{4}$		0.86
	$\frac{7}{8}$		0.93
Insert Only	—	—	0.69
Nut Only	$\frac{1}{4}$	—	0.13
	$\frac{3}{8}$	—	
	$\frac{1}{2}$	—	0.17
	$\frac{5}{8}$	—	0.20
	$\frac{3}{4}$	—	0.17
	$\frac{7}{8}$	—	0.24

■ Based on insert and nut only. Rating is subject to the condition that the concrete used is of sufficient strength to hold the insert.

- Table of Contents
- Pictorial TOC
- General Notes
- Clevis Hangers & Shields
- Ring Hangers
- Pipe Clamps
- Riser Clamps
- U-Bolts & Straps
- CPVC
- AWWA
- Beam Clamps
- Ceiling Plates & Flanges
- Wall Brackets
- Welded Attachments
- Concrete Inserts & Attachments**
- Rod & Eye Rods
- Rod Couplings & Turnbuckles
- Swivel Attachments
- Hardware & Accessories

Fig. 282

Universal Concrete Insert

Size Range: $\frac{3}{8}$ " through $\frac{7}{8}$ "

Material: Malleable iron body and nut

Finish: Plain or Zinc Plated

Service: Upper attachment for suspending pipe, shafting, motors and similar equipment from a concrete ceiling; especially suitable where rod sizes cannot be readily determined in advance.

Approvals: Complies with Federal Specification A-A-1192A (Type 18), WW-H-171-E (Type 18), ANSI/MSS SP-69 and MSS SP-58 (Type 18). UL, ULC Listed and FM Approved.

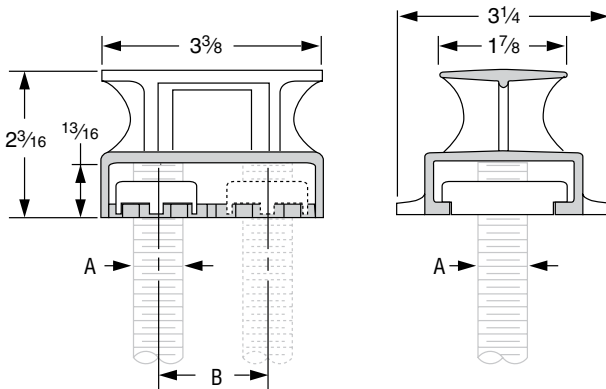
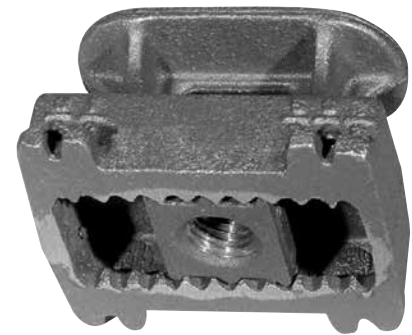
Installation:

1. Nail insert to wooden forms.
2. Where convenient, reinforcing rods may be placed in the opening through the top of the insert, or short lengths of reinforcing rod may be wired to the insert prior to pouring concrete. However, the specified load ratings and approvals are not dependent on the use of any reinforcing rods in contact with the insert.
3. After concrete is poured and wooden forms are removed, place nut in insert and screw rod through nut until rod is firmly against the top of the insert body. The rod should not be forced against the top of the recess thereby placing unnecessary stress at the opening of the insert by the nut.

Features:

- Cast body prevents concrete seepage.
- Opening in top of insert provides for use of reinforcing rods up to $\frac{7}{8}$ " diameter. Sides of insert are recessed for reinforcing rods up to 1" diameter.
- Low height, broad flat bottom and widely separated nail slots minimize displacement during construction.
- The nut, held in place by V-type teeth on both insert and nut, can be raised and moved from side to side providing for lateral adjustment.
- Rod is locked in place by screwing it firmly against the top of the recess.
- One body size.

Ordering: Specify figure number, name, finish and size of nut.



**FIG. 282:
DIMENSIONS (IN) • LOADS (LBS) • WEIGHT (LBS)**

	Rod Size A	Adjustment B	Max Load ■	Weight
Insert Complete With Nut	$\frac{3}{8}$	$1\frac{11}{16}$	730	1.5
	$\frac{1}{2}$		1,130	
	$\frac{5}{8}$		1,140	
	$\frac{3}{4}$		1,140	
	$\frac{7}{8}$	$1\frac{1}{8}$	1,140	
Insert Only	—	—	—	1.3
Nut Only	$\frac{3}{8}$	—	—	0.2
	$\frac{1}{2}$	—	—	
	$\frac{5}{8}$	—	—	
	$\frac{3}{4}$	—	—	
	$\frac{7}{8}$	—	—	

■ Based on insert and nut only. Rating is subject to the condition that the concrete used is of sufficient strength to hold the insert.

Fig. 284

Metal Deck Hanger

Size Range: 3/8" through 3/4"

Material: Carbon steel

Finish: Plain

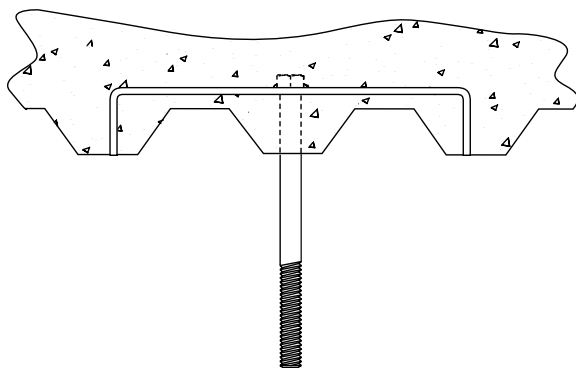
Service: Recommended for suspending pipe or conduit in metal concrete deck forms for a variety of rod sizes. May be used with a rod coupling such as the Fig. 135 or 136 to allow for extended rod lengths.

Features:

- L and H can be specified for a custom fit if your particular deck does not accommodate type A, B, or C.
- Standard 6" long UNC bolt is welded to bracket to ensure assembly remains intact during shipment.

Ordering: Specify Figure 284, design type (A, B, C) and bolt diameter.

If your specific deck will not fit one of the design types and/or a different bolt size is required, specify leg height (H), opening (L) and bolt size.



Before pouring concrete, locate the Figure 284 on deck so legs rest in "valleys" of form. Drill hole in deck for bolt.

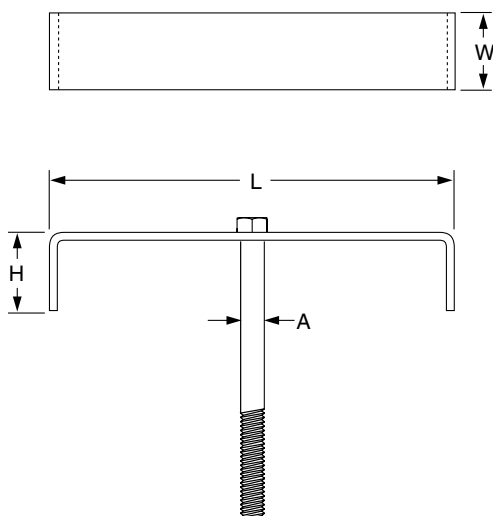


FIG. 284: DIMENSIONS (IN) • LOADS (LBS) • WEIGHT (LBS)						
Type	Bolt Size A	Max Load ■	L	H	W	Weight
A	3/8	730	9 5/8	1 3/4	1 1/2	1.33
	1/2	1,350				1.43
	5/8	2,160				1.64
	3/4	3,230				1.92
B	3/8	730	12	3	1 1/2	2.23
	1/2	1,350				2.33
	5/8	2,160				2.54
	3/4	3,230				2.82
C	3/8	730	16	4	1 1/2	3.10
	1/2	1,350				3.20
	5/8	2,160				3.41
	3/4	3,230				3.69

■ Based on the rod diameter only. Rating is subject to the conditions that the concrete used is of sufficient strength to hold the deck hanger.

Fig. 285

Light Weight Concrete Insert

Size Range: 1/4" through 5/8"

Material: Carbon steel

Finish: Plain or Zinc Plated

Service: Upper attachment for suspending pipe or conduit from concrete ceiling.

Approvals: Complies with Federal Specification A-A-1192A (Type 18), WW-H-171-E (Type 18), ANSI/MSS SP-69 and MSS SP-58 (Type 19).

UL, ULC Listed (Sizes 3/8" - 5/8") and FM Approved (Sizes 3/8" and 1/2").

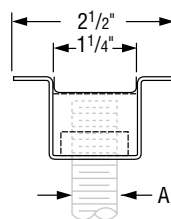
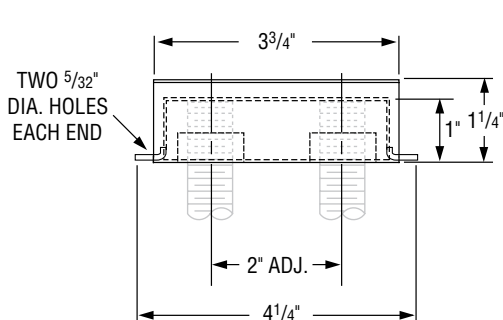
Installation:

1. Nail insert to wooden forms.
2. Reinforcing rods may be located under the arched flanges at the top of the insert. However, note that the specified load ratings and approvals are not dependent on the use of any reinforcing rods in contact with the insert.
3. After concrete is poured and wooden forms are removed, remove knockout by tapping along edge with pointed instrument.
4. Slip nut into insert and screw rod through nut until rod is firmly against the top of the insert body.

Features:

- Suitable for use in concrete 2" thick due to low overall height.
- Highly competitive.
- Provides for 2" of lateral adjustment.
- Knockout prevents seepage of concrete from underneath the insert up into the insert body.
- One body size.
- Removable nut in four sizes.
- Rod can be rigidly locked in position.

Ordering: Specify figure number, name, finish and size of nut.



**FIG. 285:
DIMENSIONS (IN) • LOAD (LBS) • WEIGHT (LBS)**

	Rod Size A	Max Load ■	Weight
Insert Complete With Nut	1/4	400	0.46
	3/8		0.49
	1/2		0.49
	5/8		0.48
Insert Only	—	—	0.41
Nut Only	1/4	—	0.07
	3/8	—	
	1/2	—	
	5/8	—	

■ Based on insert and nut only. Rating is subject to the condition that the concrete used is of sufficient strength to hold the insert.

Fig. 286 (Formerly Fig. 283)

Size Range: 3/4" through 1 1/2"

Material: Stainless steel body, fiberglass bars, polypropylene disc

Service: Upper attachment for suspending pipe or equipment from concrete ceiling.

Approvals: Complies with Federal Specification A-A-1192A (Type 18) WW-H-171-E (Type 18), ANSI/MSS SP-69 and MSS SP-58 (Type 18).

Installation:

1. Nail insert to wooden forms.
2. Locate fiberglass bars to rest upon existing reinforcing rods or wire the insert directly into existing reinforced rods to achieve the specified load ratings.

Features:

- Stainless steel body prevents corrosion.
- Cone shaped body.
- Exceptional pullout strength.
- Eliminates uncertainty of tying conventional inserts into bridge deck rebars.

Ordering: Specify figure number, name and rod size.

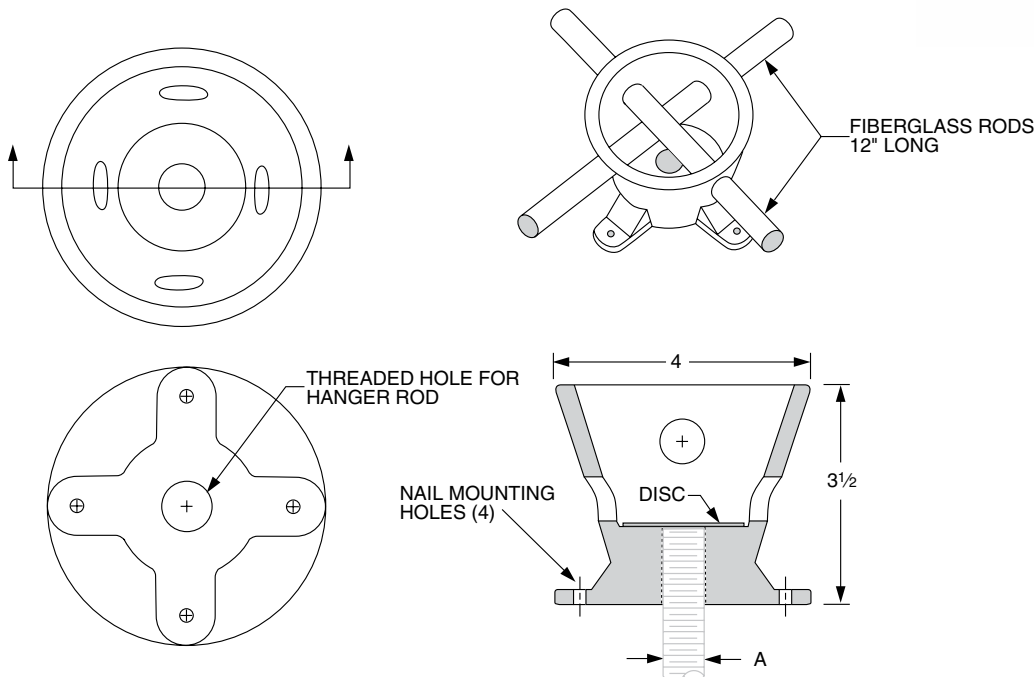


FIG. 286:

Rod Size A	Max Load (lbs) ■
3/4	3,230
7/8	4,480
1	5,900
1 1/4	9,500
1 1/2	13,800

■ Based on the rod diameter only. Rating is subject to the conditions that the concrete used is of sufficient strength to hold the insert.

Table of Contents

Pictorial TOC

General Notes

Clevis Hangers & Shields

Ring Hangers

Pipe Clamps

Riser Clamps

U-Bolts & Straps

CPVC

AWWA

Beam Clamps

Ceiling Plates & Flanges

Wall Brackets

Welded Attachments

Concrete Inserts & Attachments

Rod & Eye Rods

Rod Couplings & Turnbuckles

Swivel Attachments

Hardware & Accessories

Fig. 47

Concrete Single Lug Plate

Size Range: 1/2" through 2"

Material: Carbon steel

Finish: Plain or Hot-Dip Galvanized

Service: Structural attachment to concrete ceiling lug is used in conjunction with Fig. 299 (see page 120) forged steel clevis and anchors of sufficient strength to hold the desired load.

Ordering: Specify rod size, figure number, name and finish.

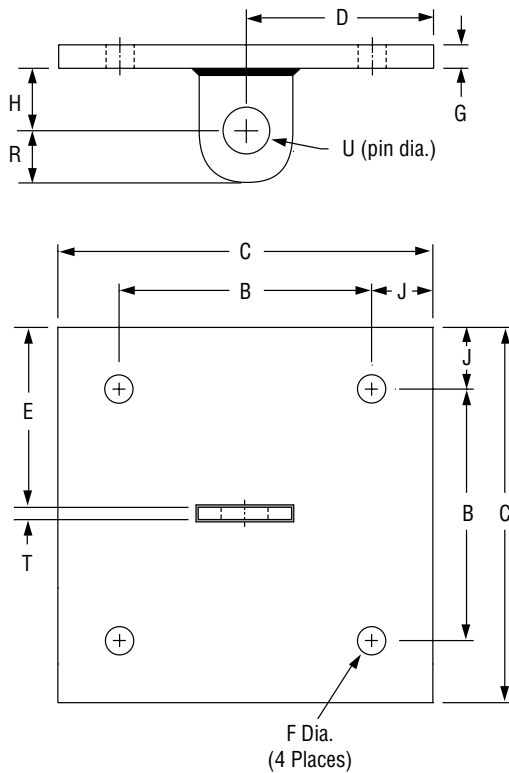


FIG. 47: DIMENSIONS (IN) • LOAD (LBS) • WEIGHT (LBS)

Rod Size A	Max Load ■	Weight	J	B	C	D	E	F	G	H	R	T	U
1/2	1,350	11.1	1	8	10	5	4 7/8	9/16	3/8	1 1/2	1 1/4	1/4	5/8
5/8	2,160	14.6					1/2	3/4					
3/4	3,230	14.8					4 13/16	11/16	3/4	2		3/8	7/8
7/8	4,480	22.0					5 3/4	13/16	1 1/2	1 1/8		1	1
1	5,900	31.9	2	12	12	6	5 11/16	15/16	1	3	2 1/2	1/2	1 1/8
1 1/4	9,500	43.8					5 5/8	1 1/8	3/4				1 1/8
1 1/2	13,800	45.6					1 3/8	1 1/4	4	3		1 7/8	
1 3/4	18,600	55.7					2 1/4						
2	24,600	58.2											2 1/4

■ Based on the rod diameter only. Rating is subject to the conditions that the concrete and anchors used are of sufficient strength to hold the load.

Fig. 49

Concrete Clevis Plate

Size Range: 3/8" through 1 3/4"

Material: Carbon steel

Finish: Plain or Hot-Dip Galvanized with Zinc Plated Fasteners

Service: Structural attachment to concrete ceiling where flexibility is desired. Concrete clevis plate is normally used in conjunction with Fig. 290, page 119, weldless eye nut, or Fig. 278, page 114 welded eye rod and anchors of sufficient strength to hold the desired load.

Ordering: Specify rod size, figure number, name and finish.

Note: Sizes 3/8" through 1" are supplied with bolt and nut. Larger sizes are supplied with pin and cotters.

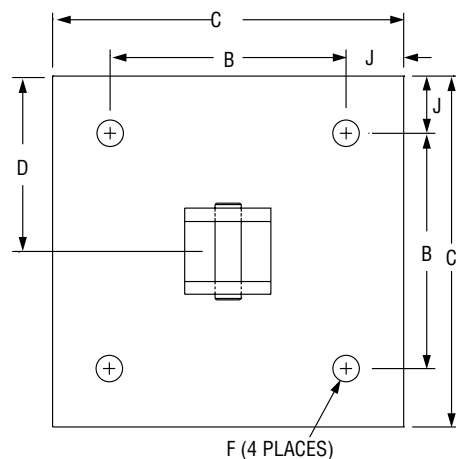
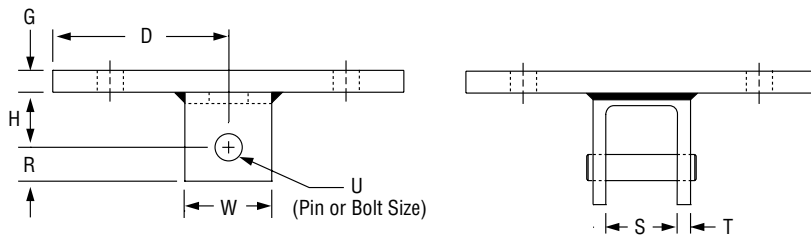


FIG. 49: DIMENSIONS (IN) • LOAD (LBS) • WEIGHT (LBS)

Rod Size A	Max Load ■	Weight	J	B	C	D	F	G	H	R	S	T	U	W					
3/8	730	11.8	1	8	10	5	9/16	3/8	2	7/8	1 1/4	1/4	1/2	2					
1/2	1,350	11.9											5/8						
5/8	2,160	15.7					3/4												
3/4	3,230	16.9					1 7/8	3/8	1										
7/8	4,480	18.1								2 1/2									
1	5,900	36.9	2	12	12	6	13/16	3/4	3	1 1/2	2 1/2	1/2	3						
1 1/4	9,500	40.9					15/16					2		5/8	1 3/8				
1 1/2	13,800	59.8					1 1/8	1	4	2 1/2	3	3/4		1 5/8					
1 3/4	18,600	93.6					10	14	14	7	1 3/8	1 1/4		5	2 3/4	3 1/2	1/2	1 7/8	5
																			5

■ Based on the rod diameter only. Rating is subject to the conditions that the concrete and anchors used are of sufficient strength to hold the load.

- Table of Contents
- Pictorial TOC
- General Notes
- Clevis Hangers & Shields
- Ring Hangers
- Pipe Clamps
- Riser Clamps
- U-Bolts & Straps
- CPVC
- AWWA
- Beam Clamps
- Ceiling Plates & Flanges
- Wall Brackets
- Welded Attachments
- Concrete Inserts & Attachments
- Rod & Eye Rods
- Rod Couplings & Turnbuckles
- Swivel Attachments
- Hardware & Accessories

Fig. 52

Concrete Rod Attachment Plate

Size Range: $\frac{3}{8}$ " through $1\frac{1}{4}$ "

Material: Carbon steel

Finish: Plain or Hot-Dip Galvanized

Service: Structural attachment to concrete ceiling where vertical adjustment is desired. Normally used with threaded rod and nut and anchors of sufficient strength to hold the desired load.

Ordering: Specify rod size, figure number, name and finish.

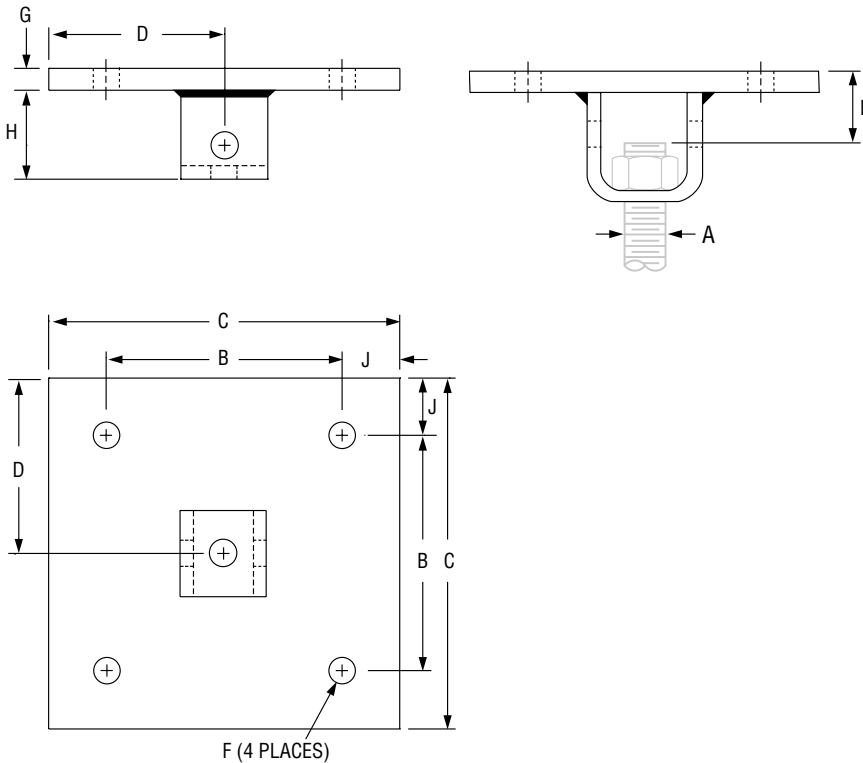


FIG. 52: DIMENSIONS (IN) • LOAD (LBS) • WEIGHT (LBS)

Rod Size A	Max Load ■	Weight	J	B	C	D	E	F	H	G
$\frac{3}{8}$	730	11.6	1	8	10	5	$\frac{2}{4}$	$\frac{9}{16}$	$\frac{2}{8}$	$\frac{3}{8}$
$\frac{1}{2}$	1,350	11.6					$\frac{2}{8}$			
$\frac{5}{8}$	2,160	15.1					$\frac{2}{4}$	$\frac{11}{16}$	$\frac{3}{8}$	$\frac{1}{2}$
$\frac{3}{4}$	3,230	16.1					$\frac{3}{8}$			
$\frac{7}{8}$	4,480	16.7	2	12	12	6	$\frac{3}{2}$	$\frac{13}{16}$	$\frac{4}{2}$	$\frac{3}{4}$
1	5,900	34.9					$\frac{3}{8}$	$\frac{15}{16}$	5	
$1\frac{1}{4}$	9,500	40.9								

■ Based on the rod diameter only. Rating is subject to the conditions that the concrete and anchors used are of sufficient strength to hold the load.

Fig. 142 (Formerly Afcon Fig. 920)

Coach Screw Rods Machine Threaded on Opposite End

Size Range: 3/8" and 1/2"

Material: Carbon steel

Finish: Plain or Zinc Plated

Ordering: Specify rod size, figure number, name and rod length.

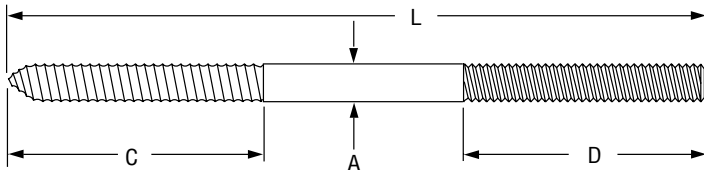


FIG. 142: STANDARD THREAD LENGTHS (IN) • LOADS (LBS)

Rod Size A	Standard Length - L	Coach Screw Thread Length - C	Standard Rod Thread Length - D	Max Load
3/8	3 1/2	2	3/4	390
	8		2 1/2	
1/2	3 1/2	2 7/16	3/4	640
	8		2 1/2	

Fig. 146 (Formerly Afcon Fig. 650)

Continuous Threaded Rod

Size Range: 1/4" through 1 1/2" Stocked in six, ten, and twelve foot lengths. Other even foot lengths can be furnished to order.

Material: Carbon steel or Stainless Steel Gr 304

Threads: National Coarse (USS), rod threaded complete length.

Finish: Plain or Zinc Plated (Hot-Dip Galvanized optional)

Maximum Temperature: Zinc Plated 450°F, Stainless Steel 650° F

Approvals: Complies with MSS SP-58.

Ordering: Specify rod diameter and length, figure number, name and finish.

Note: The acceptability of galvanized coatings at temperatures above 450°F is at the discretion of the end user.



**FIG. 146:
DIMENSIONS (IN) • LOADS (LBS) • WEIGHTS (LBS)**

Rod Size A	Threads per Inch	Max Load 650° F	Weight per Ft.
1/4	20	240	0.12
3/8	16	730	0.30
1/2	13	1,350	0.53
5/8	11	2,160	0.84
3/4	10	3,230	1.20
7/8	9	4,480	1.70
1	8	5,900	2.30
1 1/4	7	9,500	3.60
1 1/2	6	13,800	5.10

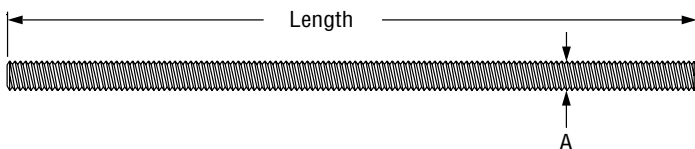


Fig. 148

Rod with Eye End

Size Range: 2 3/4" through 5"

Material: Carbon steel

Finish: Plain or Zinc Plated

Service: A large diameter rod with eye end for load ratings thru 184,000 pounds.

Ordering: Specify rod size, figure number, name, finish and "L" dimension. Indicate if desired thread length is other than standard.

Note: The acceptability of galvanized coatings at temperatures above 450°F is at the discretion of the end user.

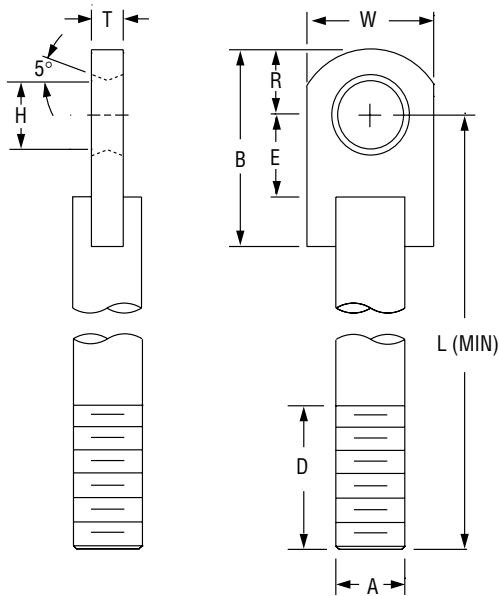


FIG. 148: DIMENSIONS (IN) • LOADS (LBS) • WEIGHTS (LBS)

Rod Size A	Max Load		Weight* Min Length	Weight/Ft. Additional Length	B	D	E	H	L (Min)	R	T	W
	650° F	750° F										
2 3/4	49,400	38,687	35.9	20	9 5/8	12	3 3/4	3 1/8	19	3 5/8	1 1/2	6
3	60,100	47,066	42.9	24	11		4	3 3/8	20	4		
3 1/4	71,900	56,307	54.7	28	12 1/4			3 5/8	21	4 1/4	7	
3 1/2	84,700	66,331	67.3	33	12 1/2	15	4 3/4	3 7/8	24	4 1/2	2	7 1/2
3 3/4	98,500	77,139	80.0	37	13 3/8		5	4 1/8	25	4 7/8		
4	113,400	88,807	97.0	43	15 1/8			4 3/8	26	5 1/8		
4 1/4 •	129,400	101,337	127.0	48	16 1/4	18	5 1/4	4 5/8	30	5 1/2	2 1/2	9 1/2
4 1/2 •	146,600	114,807	131.0	54	16		5 3/4	4 7/8	31	5 3/4		8 1/2
4 3/4 •	164,700	128,982	154.0	60	17			5 1/8	31	6		9 1/2
5 •	184,000	144,096	175.0	67	17 3/8	6 1/4	5 3/8	32	6 3/8	10		

*Weight calculated with minimum "L" for standard thread • Furnished with 4 UN series threads

Fig. 140 (Formerly Afcon Fig. 660): Right-hand Threads

Fig. 253: Right and Left hand Threads

Machine Threaded Rods Threaded Both Ends

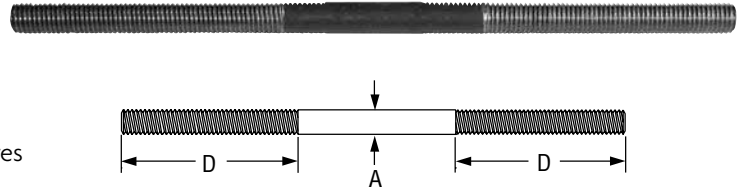
Size Range: $\frac{3}{8}$ " through 5"

Material: Carbon steel

Finish: Plain or Zinc Plated

Ordering: Specify rod size, figure number, name, rod length and finish. Specify thread length if other than standard.

Note: The acceptability of galvanized coatings at temperatures above 450°F is at the discretion of the end user.



Rod Size A	Threads per Inch	Max Load		Standard Rod Thread Length D*
		650° F	750° F	
$\frac{3}{8}$	16	730	572	2½
$\frac{1}{2}$	13	1,350	1,057	
$\frac{5}{8}$	11	2,160	1,692	
$\frac{3}{4}$	10	3,230	2,530	3
$\frac{7}{8}$	9	4,480	3,508	3½
1	8	5,900	4,620	4
1¼	7	9,500	7,440	5
1½	6	13,800	10,807	6
1¾	5	18,600	14,566	7
2	4½	24,600	19,265	8
2¼	4½	32,300	25,295	9
2½	4	39,800	31,169	10

Rod Size A	Threads per Inch	Max Load		Standard Rod Thread Length D*
		650° F	750° F	
2¾	4	49,400	38,687	11
3	4	60,100	47,066	12
3¼	4	71,900	56,307	13
3½	4	84,700	66,331	14
3¾	4	98,500	77,139	15
4	4	113,400	88,807	
4¼	4 UN	129,400	101,337	18
4½	4 UN	146,600	114,807	
4¾	4 UN	164,700	128,982	
5	4 UN	184,000	144,096	

*Fig. 140 rod up to 1" rod size and 24" in length may be furnished as Fig 146 rod unless order states that all thread rod is not acceptable.

Fig. 248 (Formerly Afcon Fig. 680): Right Hand Threads Eye Rod Not Welded

Fig. 248L: Left Hand Threads

Size Range: $\frac{3}{8}$ " through 2 ½"

Material: Carbon steel

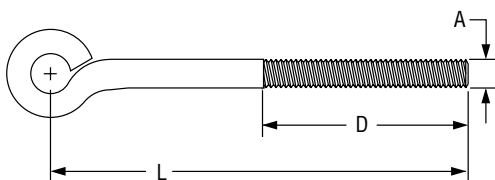
Finish: Plain or Zinc Plated

Maximum Temperature: 650° F

Features: Through 1 ½", inside diameter of eye will accommodate a bolt diameter $\frac{1}{8}$ " larger than rod diameter; 1 ¾" and larger, inside diameter of eye will take a bolt diameter $\frac{1}{4}$ " larger than rod diameter.

Ordering: Specify rod diameter, figure number, name, rod length and finish. Specify thread length if other than standard.

Note: The acceptability of galvanized coatings at temperatures above 450°F is at the discretion of the end user.



Rod Size A	Standard Rod Thread Length – D	L (min)	Max Load 650° F
$\frac{3}{8}$	2½	4¼	240
$\frac{1}{2}$		4½	705
$\frac{5}{8}$		5½	1,050
$\frac{3}{4}$	3	6½	1,470
$\frac{7}{8}$	4	7¼	1,940
1	5	8¼	3,120
1¼	6	10	4,650
1½	7	12	6,380
2	8	14	8,280
2¼	9	15½	10,900
2½	10	17	13,400

Fig. 278 (Formerly Afcon Fig. 681): Right Hand Threads

Eye Rod Welded

Fig. 278L: Left Hand Threads

Size Range: $\frac{3}{8}$ " through $2\frac{1}{2}$ "

Material: Carbon steel

Finish: Plain or Zinc Plated

Features: Through $1\frac{1}{2}$ ", inside diameter of eye will accommodate a bolt diameter $\frac{1}{8}$ " larger than rod diameter; $1\frac{3}{4}$ " and larger, inside diameter of eye will take a bolt diameter $\frac{1}{4}$ " larger than rod diameter.

Maximum Temperature: 750° F

Ordering: Specify rod diameter, figure number, name, rod length and finish. Specify thread length if other than standard.

Note: The acceptability of galvanized coatings at temperatures above 450° F is at the discretion of the end user.



**FIG. 278, FIG. 278L:
DIMENSIONS (IN) • LOADS (LBS)**

Rod Size A	Standard Rod Thread Length - D	L (min)	Max Load	
			650° F	750° F
$\frac{3}{8}$	2½	4¼	730	572
$\frac{1}{2}$			1,350	1,057
$\frac{5}{8}$		4½	2,160	1,692
$\frac{3}{4}$	3	5½	3,230	2,530
$\frac{7}{8}$	3½	6½	4,480	3,508
1	4	7¼	5,900	4,620
1¼	5	8¼	9,500	7,440
1½	6	10	13,800	10,807
1¾	7	12	18,600	14,566
2	8	14	24,600	19,265
2¼	9	15½	32,300	25,295
2½	10	17	39,800	31,169

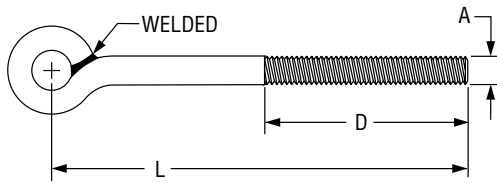


Fig. 248X: Not Welded

Linked Eye Rods

Fig. 278X: Welded



Size Range: $\frac{3}{8}$ " through $2\frac{1}{2}$ "

Service: The use of linked eye rods in a hanger assembly allows universal movement of the piping without bending and possible fracture of a straight rod.

Finish: Plain or Zinc Plated

Maximum Temperature: Fig. 248X: 650° F, Fig. 278X: 750° F

Ordering: Specify the size, length of each eye rod, figure number and finish.

Example:

$\frac{7}{8}$ " Fig. 278X linked welded eye rod consisting of:

(L1) $\frac{7}{8}$ " Fig. 278 welded eye rod 1 ft. $2\frac{1}{2}$ in. long, center to end.

(L2) $\frac{7}{8}$ " Fig. 278 welded eye rod 1 ft. $2\frac{1}{2}$ in. long center to end.

Note: The acceptability of galvanized coatings at temperatures above 450° F is at the discretion of the end user.

**FIG. 248X, 278X:
DIMENSIONS (IN) • LOADS (LBS)**

Rod Size A	Max Load		
	Fig. 248X 650° F	Fig. 278X	
		650° F	750° F
$\frac{3}{8}$	240	730	572
$\frac{1}{2}$	440	1,350	1,057
$\frac{5}{8}$	705	2,160	1,692
$\frac{3}{4}$	1,050	3,230	2,530
$\frac{7}{8}$	1,470	4,480	3,508
1	1,940	5,900	4,620
1¼	3,120	9,500	7,440
1½	4,650	13,800	10,807
1¾	6,380	18,600	14,566
2	8,280	24,600	19,265
2¼	10,900	32,300	25,295
2½	13,400	39,800	31,169

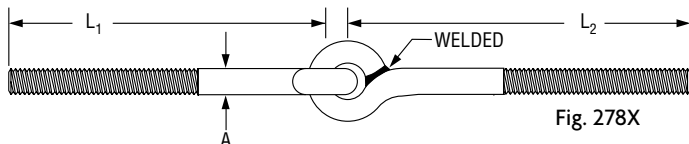
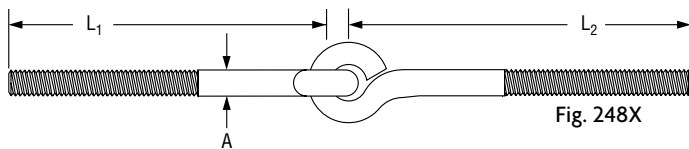


Fig. 135 and 135i: Straight with Sight-Hole

Rod Coupling

Fig. 135E: Straight without Sight-Hole

Fig. 135R: Reducing

Size Range: 1/4" through 1"

Material: Carbon steel

Finish: Fig. 135 & 135i: Plain; Fig.135E and Fig.135R: Zinc Plated

Service: For connecting rods to accommodate up to 1" diameter and support up to 5,900 pounds.

Ordering: Specify rod size, figure number and name.

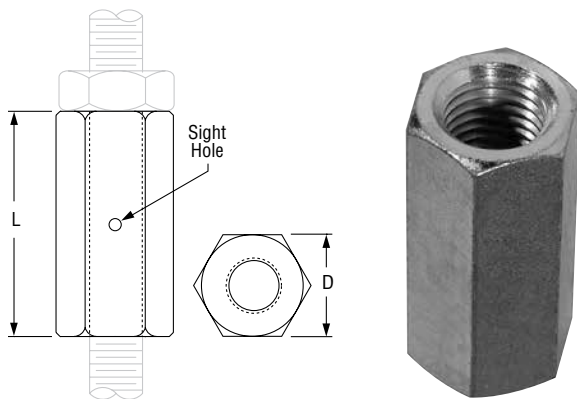


FIG 135, 135i, 135E, 135R: DIMENSIONS (IN) • LOADS (LBS) • WEIGHTS (LBS)				
Rod Size A	Max Load	Weight	D	L
Fig. 135 & 135i: Straight With Sight-Hole				
3/8	730	0.09	9/16	1 1/8
1/2	1,350	0.12	3/4	1 1/2
5/8	2,160	0.24	19/16	1 7/8
3/4	3,230	0.42	1 1/8	2 1/4
7/8	4,480	0.66	1 5/16	2 5/8
1	5,900	1.00	1 1/2	3
Fig. 135E: Straight Less Sight-Hole				
1/4	240	0.03	3/8	7/8
3/8	730	0.09	5/8	1 1/8
1/2	1,350	0.14	11/16	1 3/4
5/8	2,160	0.26	19/16	2 1/8
3/4	3,230	0.34	1	2 1/4
7/8	4,480	0.55	1 1/4	2 1/2
1	5,900	0.75	1 3/8	2 3/4
Fig. 135R: Reducing				
3/8 x 1/4	240	0.13	5/8	1 1/2
1/2 x 3/8	730	0.13	11/16	1 1/4
5/8 x 1/2	1,350	0.19	13/16	1 1/4
3/4 x 5/8	2,160	0.26	1	1 1/2
7/8 x 3/4	3,230	0.41	1 1/4	1 3/4

Fig. 136: Straight



Rod Coupling

Fig. 136R: Reducing



Size Range: 1/4" through 1"

Material: Malleable iron

Finish: Plain or Zinc Plated

Service: For connecting rod lengths within limitation.

Approvals: Fig. 136: UL, ULC Listed (3/8" - 7/8" rod size) and FM Approved (3/8" and 1/2" rod size). Fig. 136R: UL Listed (1/2" and 3/8" rod size).

Features:

- Available in reducing sizes.
- Provides visual inspection of thread engagement.
- Uniform strength; good appearance.

Ordering: Specify rod tapping size, figure number and name. Furnished with right-hand UNC threads only.

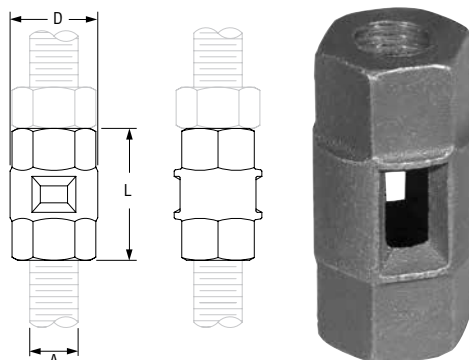


FIG. 136, 136R: DIMENSIONS (IN) • LOADS (LBS) • WEIGHTS (LBS)				
Rod Size A	Max Load	Weight	L	D
Straight: Fig. 136				
1/4	230	0.06	1 3/8	5/8
3/8	730	0.10	1 5/8	1 1/16
1/2	1,350	0.20	2 1/8	1 5/16
5/8	2,160	0.33	2 1/2	1 1/8
3/4	3,230	0.44	2 5/8	1 1/4
7/8	4,480	0.96	3 1/16	1 5/8
1	5,900	0.94	2 3/4	1 13/16
Reducing: Fig. 136R				
3/8 x 1/4	230	0.10	1 5/8	1 5/8
1/2 x 3/8	730	0.21	2 1/8	2 1/8

Table of Contents
 Pictorial TOC
 General Notes
 Clevis Hangers & Shields
 Ring Hangers
 Pipe Clamps
 Riser Clamps
 U-Bolts & Straps
 CPVC
 AWWA
 Beam Clamps
 Ceiling Plates & Flanges
 Wall Brackets
 Welded Attachments
 Concrete Inserts & Attachments
 Rod & Eye Rods
Rod Couplings & Turnbuckles
 Swivel Attachments
 Hardware & Accessories

Fig. 114

Turnbuckle Adjuster

Size Range: 1/4" through 3/4"

Material: Malleable iron

Finish: Plain

Installation: Normally used with split pipe ring, Fig. 108, see page 40.

Approvals: Complies with Federal Specification A-A-1192A (Type 15), WW-H-171-E (Type 15), ANSI/MSS SP-69 and MSS SP-58 (Type 15).

Maximum Temperature: 450° F

Features:

- An economical and simple means of obtaining vertical adjustment and flexibility at the pipe connection.
- Permits adjustment after pipe is in place.

Ordering: Specify rod size, figure number and name.

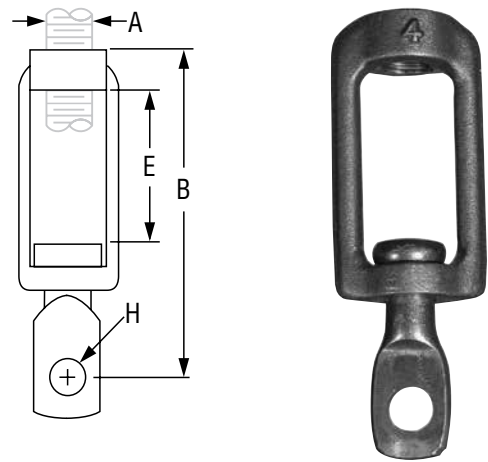


FIG. 114: DIMENSIONS (IN) • LOADS (LBS) • WEIGHTS (LBS)

Rod Size A	Max Load	Weight	B	E	H
1/4	230	0.09	2 1/2	1 1/4	7/32
3/8	730	0.28	3 7/8	1 7/8	13/32
1/2		0.31		1 13/16	
5/8		0.72		2 5/16	
3/4	860	0.70	9/16		

Fig. 230

Turnbuckle

Size Range: 3/8" through 2 1/2"

Material: Forged steel

Finish: Plain or Zinc Plated (Hot-Dip Galvanized optional)

Service: Provides adjustment up to 6" for 12" Fig. 230 and 3" for 6" Fig. 230.

Approvals: Complies with Federal Specification A-A-1192A (Type 13), WW-H-171-E (Type 13), ANSI/MSS SP-69 and MSS SP-58 (Type 13).

Ordering: Specify rod size, figure number, name and finish.

Note: The acceptability of galvanized coatings at temperatures above 450°F is at the discretion of the end user.

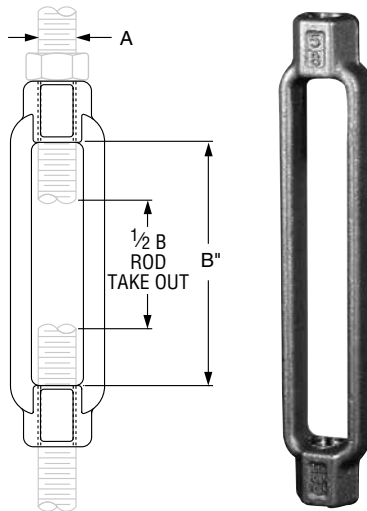


FIG. 230: DIMENSIONS (IN) • LOADS (LBS) • WEIGHTS (LBS)

Rod Size A •	Max Load		Weight	
	650°F	750°F	B= 6" Opening	B=12" Opening
3/8	730	572	0.42	–
1/2	1,350	1,057	0.65	1.20
5/8	2,160	1,692	0.98	1.58
3/4	3,230	2,530	1.50	2.35
7/8	4,480	3,508	1.90	4.05
1	5,900	4,620	2.60	4.02
1 1/4	9,500	7,440	4.50	–
1 1/2	13,800	10,807	6.40	–
1 3/4	18,600	14,566	11.00	–
2	24,600	19,265	14.90	–
2 1/4	32,300	25,295	19.60	–
2 1/2	39,800	31,169	26.90	–

• Tapped right hand and left hand thread. Larger rod sizes or openings available upon request

Fig. 233

Turnbuckle

Size Range: 1 1/4" through 5"

Material: Carbon steel

Finish: Plain or Zinc Plated (Hot-Dip Galvanized optional)

Services: Provides adjustments up to 12" with loads up thru 184,000 pounds.

Approvals: Complies with Federal Specification A-A-1192A (Type 13), WW-H-171-E (Type 13), ANSI/MSS SP-69 and MSS SP-58 (Type 13).

Ordering: Specify rod size, figure number, name, finish and opening dimension.

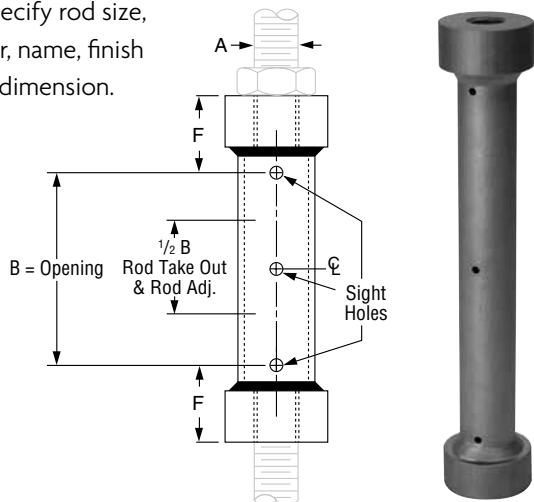


FIG. 233: DIMENSIONS (IN) • LOADS (LBS) • WEIGHTS (LBS)

Rod Size* A	Max Load	Weight/Opening				F
		B= 6"	B=12"	B=18"	B=24"	
1 1/4	9,500	–	9.0	10.8	12.6	2 1/8
1 1/2	13,800	–	12.4	14.9	17.4	2 3/8
1 3/4	18,600	–	11.7	14.2	16.7	3 1/16
2	24,600	–	20.9	24.7	28.5	
2 1/4	32,300	–	29.5	34.6	39.7	3 1/4
2 1/2	39,800	–	28.3	33.4	38.5	
2 3/4	49,400	35.6	41.8	48.1	54.3	3 1/2
3	60,100	41.6	49.1	56.6	64.1	
3 1/4 •	71,900	39.6	47.0	54.5	62.0	3 13/16
3 1/2 •	84,700	72.5	82.9	93.3	103.7	
3 3/4 •	98,500	69.6	80.0	90.4	107.30	4 1/16
4 •	113,400	110.7	125.1	139.4	153.6	
4 1/4 •	129,400	107.1	121.5	135.7	150.0	5
4 1/2 •	146,600	233.5	255.2	276.9	298.6	
4 3/4 •	164,700	227.6	249.3	271.0	292.7	6 13/16
5 •	184,000	221.4	243.1	264.8	286.5	

• Furnished with 4 UN series threads. *Tapped right hand and left hand thread.

SWIVEL ATTACHMENTS

Fig. 110R

Socket, Threaded Rod

Size Range: 1/4" through 7/8"

Material: Malleable iron

Finish: Plain

Service: For attaching hanger rod to various types of building attachments

Maximum Temperature: 450° F

Approvals: Complies with Federal Specification A-A-1192A (Type 16)

WW-H-171-E (Type 16), ANSI/MSS SP-69 and MSS SP-58 (Type 16).

UL Listed (Sizes 3/8" - 7/8") and FM Approved (Sizes 3/8" and 1/2").

Installation: Normally used with the split pipe ring Fig. 108, see page 40.

Ordering: Specify rod tapping size, figure number and name.

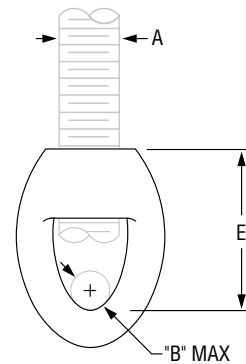


FIG. 110R: DIMENSIONS (IN) • LOADS (LBS) • WEIGHTS (LBS)

Rod Size A	Max Load	Weight	B	E
1/4	650	0.05	1/4	1 1/8
3/8	800	0.07		1 11/32
1/2	1,000	0.13		1 17/32
5/8	1,400	0.19	3/8	1 13/16
3/4	2,200	0.31	1/2	2 5/32
7/8	2,300	0.44		2 11/32

Fig. 157

Extension piece

Size Range: $\frac{3}{8}$ " through $\frac{7}{8}$ "
Material: Malleable iron
Finish: Plain or Zinc Plated
Maximum Temperature: 450° F
Service: For attaching hanger rod to various types of building attachments.
Approvals: UL Listed ($\frac{3}{8}$ " - $\frac{7}{8}$ " rod size) and FM Approved ($\frac{3}{8}$ " & $\frac{1}{2}$ " rod size).
Installation: May be used to form an integral part of malleable iron beam clamps Fig. 218, see page 79.
Ordering: Specify rod size, figure number, name and finish.

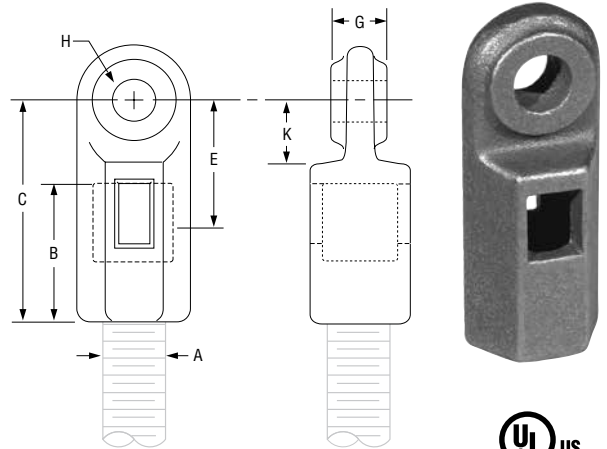


FIG. 157: DIMENSIONS (IN) • LOADS (LBS) • WEIGHTS (LBS)

Rod Size A	Max Load	Weight	B	C	Rod Take-Out - E	G	H	K
$\frac{3}{8}$	730	0.20	1 $\frac{1}{4}$	2 $\frac{1}{16}$	1 $\frac{1}{4}$	$\frac{1}{2}$	$\frac{1}{2}$	$\frac{9}{16}$
$\frac{1}{2}$	1,350	0.40	1 $\frac{3}{8}$	2 $\frac{5}{16}$	1 $\frac{3}{8}$	$\frac{5}{8}$		$\frac{11}{16}$
$\frac{5}{8}$	1,550	0.44	1 $\frac{1}{2}$	2 $\frac{7}{16}$	1 $\frac{7}{16}$			$\frac{3}{4}$
$\frac{3}{4}$	2,100	0.65	1 $\frac{3}{4}$	2 $\frac{7}{8}$	1 $\frac{11}{16}$			$\frac{7}{8}$
$\frac{7}{8}$	2,350	0.78	1 $\frac{7}{8}$	2	1 $\frac{3}{4}$			$\frac{3}{4}$



Fig. 290: Right-Hand Thread

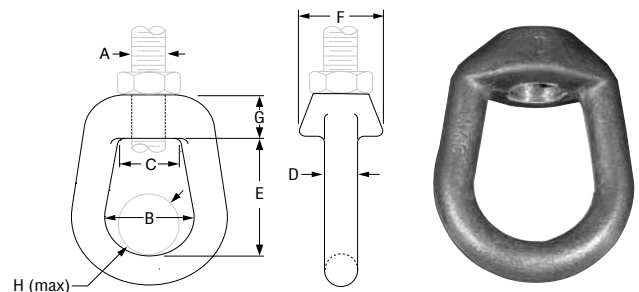
Fig. 290L: Left-Hand Thread

Weldless Eye Nut

Size Range: $\frac{3}{8}$ " through 2 $\frac{1}{2}$ "
Material: Forged steel
Finish: Plain or Zinc Plated (Hot-Dip Galvanized optional)
Service: For use on high temperature piping installations.
Approvals: Complies with Federal Specification A-A-1192A (Type 17), WW-H-171-E (Type 17), ANSI/MSS SP-69 and MSS SP-58 (Type 17).
Features:

- Supports loads equal to the full limitation of the hanger rod.
- Provides flexible connection when used with straight thread rod.

Ordering: Specify rod size, figure number, name and finish.



If other than standard combination of eye nut number and rod size, specify eye nut number and special rod tapping size.

Note: The acceptability of galvanized coatings at temperatures above 450°F is at the discretion of the end user. Larger eye nuts featuring smaller rod sizes are commonly available.

Rod Size A	Max Load		Weight	B	C	D	E	F	G	H	Eye Nut Number
	650° F	750° F									
$\frac{3}{8}$	730	572	0.28	1 $\frac{5}{32}$	1 $\frac{3}{16}$	1 $\frac{3}{32}$	1 $\frac{17}{32}$	3 $\frac{1}{32}$	$\frac{5}{8}$	1	0
$\frac{1}{2}$	1,350	1,057	0.28	1 $\frac{1}{2}$	1 $\frac{3}{16}$	$\frac{1}{2}$	2	1 $\frac{3}{8}$	1 $\frac{1}{16}$	1 $\frac{1}{4}$	1
$\frac{5}{8}$	2,160	1,692	0.62	2	1 $\frac{11}{16}$	$\frac{3}{4}$	2 $\frac{5}{8}$	1 $\frac{15}{16}$	1	1 $\frac{3}{4}$	2
$\frac{3}{4}$	3,230	2,530	0.60	2 $\frac{1}{2}$	1 $\frac{13}{16}$	1	3 $\frac{3}{8}$	2 $\frac{3}{8}$	1 $\frac{1}{4}$	2 $\frac{1}{4}$	3
$\frac{7}{8}$	4,480	3,508	1.70	4	4	1 $\frac{1}{2}$	6 $\frac{1}{4}$	4	2 $\frac{1}{4}$	3 $\frac{3}{4}$	4
1	5,900	4,620	1.70								
1 $\frac{1}{4}$	9,500	7,440	3.60								
1 $\frac{1}{2}$	13,800	10,807	3.50								
1 $\frac{3}{4}$	18,600	14,566	16.40								
2	24,600	19,265	15.90								
2 $\frac{1}{4}$	32,300	25,295	15.40								
2 $\frac{1}{2}$	39,800	31,169	14.90								

SWIVEL ATTACHMENTS

Fig. 299

Forged Steel Clevis

Size Range: 3/8" through 4"

Material: Forged steel

Finish: Plain or Zinc Plated (Hot-Dip Galvanized optional)

Service: For use on high temperature piping installations.

Approvals: Complies with Federal Specification A-A-1192A (Type 14), WW-H-171-E (Type 14), ANSI/MSS SP-69 and MSS SP-58 (Type 14).

Features:

- Available with pin and cotter pins, if required.

Ordering: Specify rod size, figure number, name and finish. If pin and cotter pins are required, specify "with pin". If other than standard combination of clevis number and rod size is required, specify clevis number, special rod tapping size, pin size, grip.

Note: The acceptability of galvanized coatings at temperatures above 450°F is at the discretion of the end user.

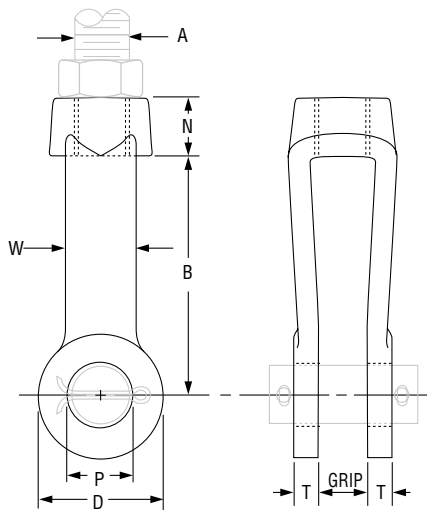


FIG. 299: DIMENSIONS (IN) • LOADS (LBS) • WEIGHTS (LBS)

Rod Size A	Max Load		Weight		Rod Take Out – B	D	N	Pin Dia. P	T	W	Grip	Clevis No.
	650° F	750° F	Without Pin	With Pin								
3/8	730	572	0.9	1.0	3 1/16	1 1/16	5/8	1/2	5/16	1 1/16	1/2	2
1/2	1,350	1,057	0.7	0.9				5/8				
5/8	2,160	1,692	0.7	0.9				3/4				
3/4	3,230	2,530	2.5	3.0	4	2 1/2	1	7/8	5/16	1 5/16	3/4	2 1/2
7/8	4,480	3,508	2.5	3.4				1				
1	5,900	4,620	4.0	5.1	5	3	1 5/16	1 1/8	1/2	1 1/2	1	3
1 1/4	9,500	7,440	3.8	5.5				1 3/8			1 1/4	
1 1/2	13,800	10,807	6.0	8.5	6	3 1/2	1 5/8	1 5/8			2	
1 3/4	18,600	14,566	8.0	12.9				1 3/4	1 7/8	4		
2	24,600	19,265	16.0	23.3	7	5	2 1/4	2 1/4	5/8	2 1/2	2 1/2	5
2 1/4	32,300	25,295	26.0	35.1	8	6	2 3/4	2 1/2	3/4	3		2 1/2
2 1/2	39,800	31,169	25.5	36.0				2 3/4				
2 3/4	49,400	38,687	36.0	50.0	9	7	3	3	7/8	3 1/2	3 1/2	7
3	60,100	47,066	35.0	51.5				3 1/4				
3 1/4 •	71,900	56,307	90.0	116.0	10	8	4	3 1/2	1 1/2	4	4	8
3 1/2 •	84,700	66,331	88.0	118.0				3 3/4				
3 3/4 •	98,500	77,139	86.0	120.0				4				
4 •	113,400	88,807	84.0	122.0				4 1/4				

• Furnished with 4 UN series threads.

Fig. 291

Clevis Pin with Cotters

Size Range: 1/2" through 4"

Material: Carbon steel

Finish: Plain or Zinc Plated (Hot-Dip Galvanized optional)

Maximum Temperature: 650° F

Service: For use with type C variable spring hanger, type C constant support (Fig. 81-H only) and Fig. 66 welded beam attachment.

Ordering: Specify pin diameter, figure number, name, finish and if cotter pins are required.

Note: The acceptability of galvanized coatings at temperatures above 450° F is at the discretion of the end user.

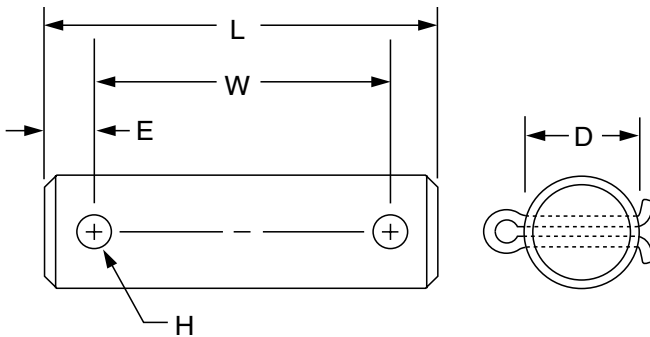


FIG. 291: DIMENSIONS (IN) • LOADS (LBS) • WEIGHTS (LBS)

Pin Dia. D	Max Load		Weight	L	W	E	H	Cotter Pin Size
	650° F	750° F						
1/2	730	572	0.12	2 7/8	2 1/8	3/8	5/32	1/8 x 1 1/4
5/8	1,350	1,057	0.18	3 1/8	2 3/8			3/16 x 1 1/2
3/4	2,160	1,691	0.29	3 5/8	2 7/8		7/32	3/16 x 2
7/8	3,230	2,529	0.47	4 1/4	3 1/2			1/4 x 2 1/2
1	4,480	3,508	0.67	4	3 3/4	1/2	9/32	1/4 x 3
1 1/8	5,900	4,620	1.00	4 3/4	4			3/8 x 3
1 1/8	9,500	7,439	2.10	5 3/8	4 3/8	5/8	3/8	3/8 x 3 1/4
1 3/8	13,800	10,805	3.30	6	5			3/8 x 3 3/4
1 7/8	18,600	14,564	4.80	7 1/8	5 7/8			3/8 x 4
2 1/4	24,600	19,262	7.20	7 5/8	6 3/8			1 1/2 x 5
2 1/2	32,300	25,291	9.30	7 7/8	6 5/8	3/4	1/2	1 1/2 x 6
2 3/4	39,800	31,163	12.50	7 7/8	6 5/8			1 1/2 x 6
3	49,400	38,680	16.60	8 1/4	6 3/4			1 1/2 x 6
3 1/4	60,100	47,058	20.00	8 1/2	7			1 1/2 x 6
3 1/2	71,900	56,298	23.90	8 3/4	7 1/4	3/4	1/2	1 1/2 x 6
3 3/4	84,700	66,320	25.10	9 1/2	8			1 1/2 x 6
4	98,500	77,125	34.80	9 3/4	8 1/4	3/4	1/2	1 1/2 x 6

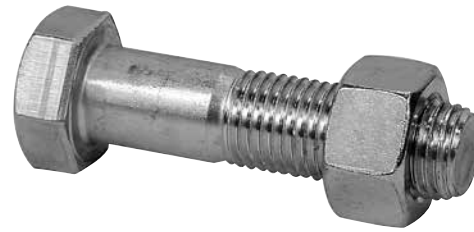
Machine Bolts

Size Range: American Standard hexagon head bolts with American Standard hexagon nuts are stocked in sizes $\frac{3}{8}$ " through $1\frac{1}{8}$ " UNC thread series. Other sizes are available upon request.

Lengths of bolts are measured from under head to extreme point.

Finish: Plain or Electroplated

Ordering: Specify bolt size, name and length.



Hexagon Nuts

Size Range:

- American Standard hexagon nuts - sizes $\frac{1}{4}$ " thru $1\frac{1}{2}$ ".
- American Standard heavy hexagon flat nuts - sizes $1\frac{3}{4}$ " thru $3\frac{3}{4}$ ".

Finish: Plain or Electroplated

Ordering: Specify bolt or rod size and name.

HEX NUTS: DIMENSIONS (IN)		
Bolt /Rod Size	Width	Thickness
$\frac{1}{4}$	$\frac{7}{16}$	$\frac{15}{64}$
$\frac{3}{8}$	$\frac{9}{16}$	$\frac{11}{32}$
$\frac{1}{2}$	$\frac{3}{4}$	$\frac{29}{64}$
$\frac{5}{8}$	$\frac{15}{16}$	$\frac{9}{16}$
$\frac{3}{4}$	$1\frac{1}{8}$	$\frac{43}{64}$
$\frac{7}{8}$	$1\frac{5}{16}$	$\frac{25}{32}$
1	$1\frac{1}{2}$	$\frac{57}{64}$
$1\frac{1}{4}$	$1\frac{7}{8}$	$1\frac{3}{32}$
$1\frac{3}{8}$	$2\frac{1}{16}$	$1\frac{13}{64}$
$1\frac{1}{2}$	$2\frac{1}{4}$	$1\frac{5}{16}$

HEAVY HEX NUTS: DIMENSIONS (IN)		
Bolt /Rod Size	Width	Thickness
$1\frac{3}{4}$	$2\frac{3}{4}$	$1\frac{25}{32}$
2	$3\frac{1}{8}$	$2\frac{1}{32}$
$2\frac{1}{4}$	$3\frac{1}{2}$	$2\frac{19}{64}$
$2\frac{1}{2}$	$3\frac{7}{8}$	$2\frac{35}{64}$
$2\frac{3}{4}$	$4\frac{1}{4}$	$2\frac{13}{16}$
3	$4\frac{5}{8}$	$3\frac{1}{16}$
$3\frac{1}{4}$ ■	5	$3\frac{5}{16}$
$3\frac{1}{2}$ ■	$5\frac{3}{8}$	$3\frac{9}{16}$
$3\frac{3}{4}$ ■	$5\frac{3}{4}$	$3\frac{13}{16}$

■ Furnished with 8 UN or 4 UN threads as required.

Fig. 62, Type A, B and C

Pipe Stanchion

Size Range: 2" through 18"

Material: Carbon steel

Finish: Plain or Hot-Dip Galvanized

Service: Stanchion type of support for stationary pipe where vertical adjustment is required.

Maximum Temperature: Plain 650° F, Galvanized 450° F

Ordering: Specify figure number, type, pipe size, top stanchion size, material specification and "D" dimension. For base plates that require holes, also specify hole size, and the center line to center line of the holes.

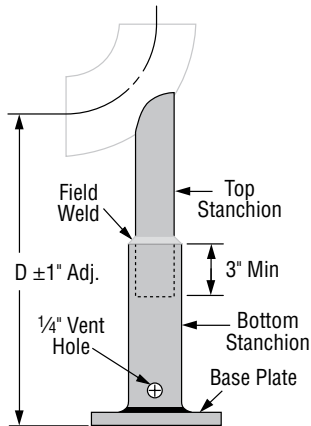


Fig. 62, Type A
(L. R. Elbow) with adjustable base

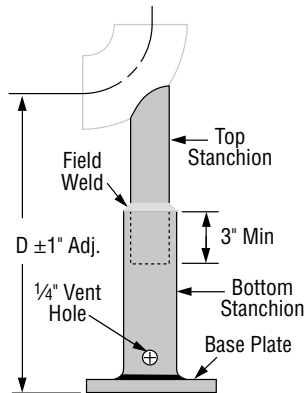


Fig. 62, Type B
(S. R. Elbow) with adjustable base

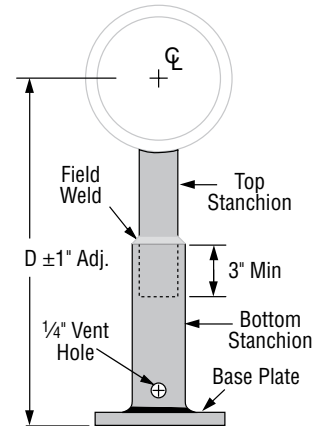


Fig. 62, Type C
(Horizontal Pipe) with adjustable base

Pipe or Elbow Size (in)	Top Stanchion Size (Standard Weight Pipe)			
	1½	2½	4	5
2	•			
2½	•			
3	•	•		
4	•	•		
5	•	•	•	
6		•	•	•
8			•	•
10			•	•
12				•
14				•
16				•
18				•
Weight (Lbs)	12	28	55	75

- Indicates available stanchion size for pipe or elbow size.
- Weights based on a "D" dimension of 2'-0".

DIMENSIONS (IN)		
Top Stanchion	Bottom Stanchion	Base Plate
1½	2 Std.	¾ x 6 x 6
2½	3 Std.	¾ x 10 x 10
4	5 Sch. 80	¾ x 10 x 10
5	6 Sch. 80	¾ x 10 x 10



Fig. 62
Stanchion with Adjustable Base

STANCHIONS & SUPPORTS

Fig. 63, Type A, B, C, P and T (Type P is Formerly Afcon Fig. 722) Pipe Stanchion

Material: Carbon steel

Finish: Plain or Hot-Dip Galvanized

Maximum Temperature: Plain 650° F, Galvanized 450° F

To Order Specify:

Type A, B, C: Figure Number, Type, Pipe Size, Stanchion Size, Material Specification and "D" Dimension.

Type P: Figure Number, Type, Saddle Size, Stanchion Size, Material Specification and "H" Dimension.

Type T: Figure Number, Type, Saddle Figure Number and Size, Stanchion Size, Material Specification and "H" Dimension.

For base plates that require holes, also specify hole size, and the center line to center line of the holes.

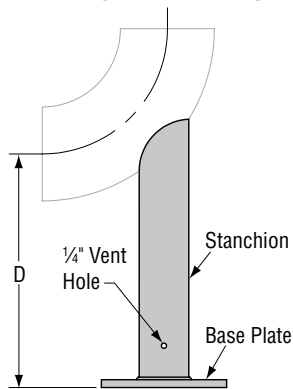


Fig. 63, Type A
(L. R. Elbow)

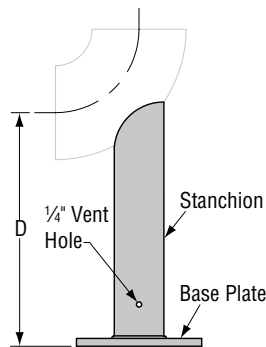


Fig. 63, Type B
(S. R. Elbow)

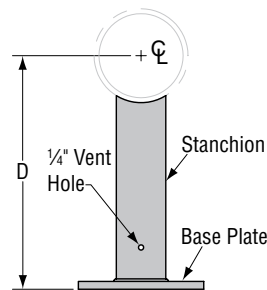


Fig. 63, Type C
(Horizontal Pipe)

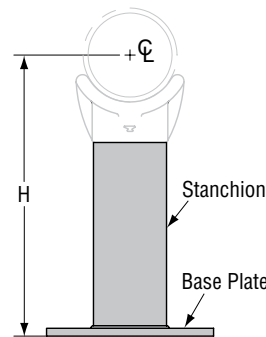


Fig. 63, Type P
Square Cut End for use with Figure 258 or 259 Pipe Saddle Support (See pages 127 & 128)

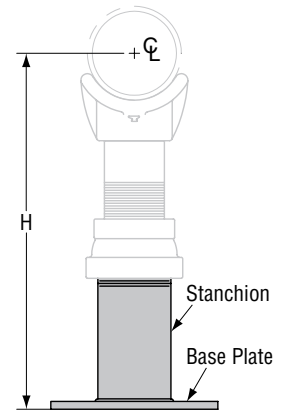


Fig. 63, Type T
Square Cut Threaded End for use with Figure 264 or 265 Adjustable Pipe Saddle Support (See pages 129 & 130)

Pipe or Elbow Size (in)	Stanchion Size (Standard Weight Pipe)													
	1½	2	2½	3	4	5	6	8	10	12	14	16	20	24
2½	•	•												
3	•	•	•											
4	•	•	•	•										
5	•	•	•	•	•									
6			•	•	•	•								
8				•	•	•	•							
10					•	•	•	•						
12						•	•	•	•					
14							•	•	•	•				
16								•	•	•	•			
18									•	•	•	•		
20										•	•	•	•	
22											•	•	•	•
24												•	•	•
26													•	•
28														•
30														•
32														•
34														•
36														•
42														•
Weight (Lbs)	9.5	11.6	16.4	23.7	31.8	47.0	59.0	100.0	164.0	201.0	230.0	282.0	374.0	515.0

• Indicates available stanchion size for pipe or elbow size for Types A, B, or C stanchions.

• Weights based on a "D" dimension of 2'-0".

See Figure 258, 259, 264, or 265 dimensional data for required stanchion pipe size (nominal pipe size A).

DIMENSIONS (IN)	
Stanchion Size	Base Plate
1½	¾ x 6 x 6
2	
2½	¾ x 8 x 8
3	
4	
5	¾ x 10 x 10
6	
8	¾ x 14 x 14
10	
12	½ x 18 x 18
14	
16	½ x 22 x 22
20	
24	½ x 30 x 30



Fig. 63
Stanchion

Fig. 191

Adjustable Pipe Saddle with U-Bolt

Size Range: 2" through 12"

Material: Carbon steel

Finish: Plain or Zinc Plated (Hot-Dip Galvanized optional)

Service: Stanchion type support where vertical adjustment is required, plus the additional **stability** provided by U-bolt attachment to **stationary** pipe.

Approvals: Complies with Federal Specification A-A-1192A (Type 37), ANSI/MSS SP-69 and MSS SP-58 (Type 37).

Ordering: Specify pipe size, figure number, name and finish.

FIG. 191: DIMENSIONS (IN) • WEIGHTS (LBS)					
Pipe Size	Rod Size A	C	E	G	Weight
2	5/8	2 1/16	9 7/16	1/4 x 1	1.2
2 1/2		3 5/16	9 1/16		1.4
3		3 15/16	10		1.6
3 1/2		4 7/16	10 1/4		2.6
4	7/8	5 1/4	10 1/2	1/4 x 1 1/4	3.0
5		6 3/8	11		3.2
6	1	7 1/4	11 11/16	3/8 x 1 1/2	4.9
8		9 3/8	12 11/16		6.2
10	1 1/4	11 1/2	13 3/8	1/2 x 2	10.5
12		13 1/2	14 7/8		11.8

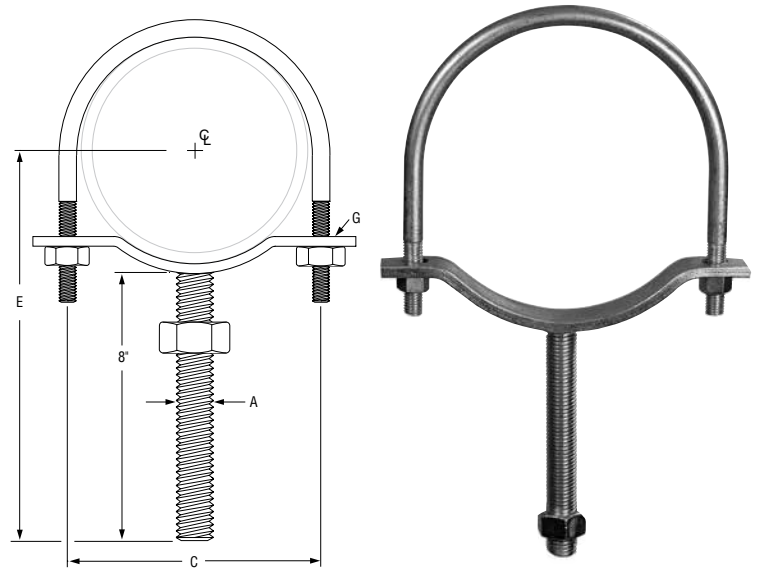


Fig. 192

Adjustable Pipe Saddle

Size Range: 2" through 12"

Material: Carbon steel

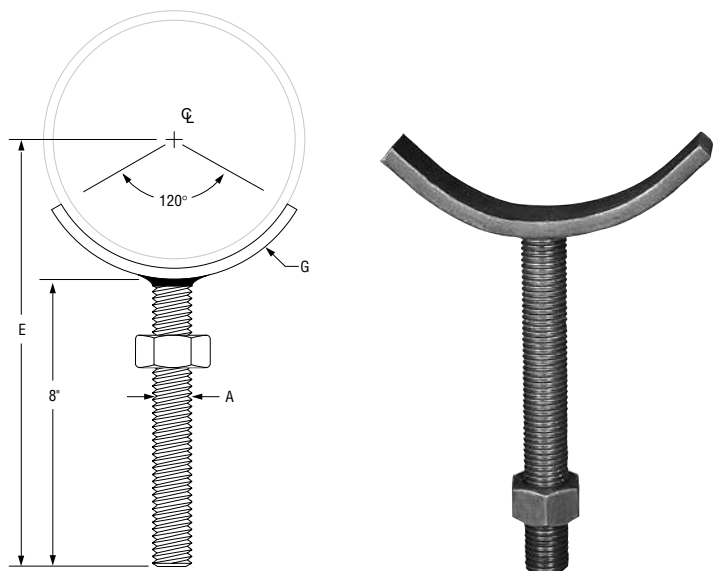
Finish: Plain or Zinc Plated (Hot-Dip Galvanized optional)

Service: Stanchion type support for **stationary** pipe where vertical adjustment is required.

Approvals: Complies with Federal Specification A-A-1192A (Type 38), ANSI/MSS SP-69 and MSS SP-58 (Type 38).

Ordering: Specify pipe size to be supported, figure number, name and finish.

FIG. 192: DIMENSIONS (IN) • WEIGHTS (LBS)				
Pipe Size	Rod Size A	E	G	Weight
2	5/8	9 7/16	1/4 x 1	1.0
2 1/2		9 1/16		1.4
3		10		1.6
3 1/2		10 1/4		2.6
4	7/8	10 1/2	1/4 x 1 1/4	3.0
5		11		3.2
6	1	11 11/16	3/8 x 1 1/2	4.9
8		12 11/16		6.2
10	1 1/4	13 3/8	1/2 x 2	10.5
12		14 7/8		11.8



STANCHIONS & SUPPORTS

Fig. 220: Standard Pipe Stays

Fig. 221: Double Pipe Stays

Fig. 223: Extended Pipe Stays

Pipe Stays

Size Range: Fig. 220: 1/2" C x 3/8" IP through 2" C
 Fig. 221: 1/2" C x 3/8" IP through 3/4" C x 1/2" IP
 Fig. 223: 1/2" C x 3/8" IP through 1 1/4" C x 1" IP

Material: Carbon Steel

Finish: Epoxy Coated

Service: Provides a vertical or horizontal offset guide for Copper Tube and Iron Pipe in plumbing and heating applications.

Ordering: Specify pipe size, figure number, name and finish.

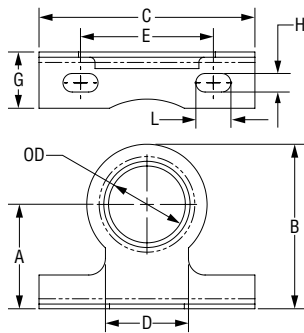


FIG. 220: DIMENSIONS (IN) • WEIGHT (LBS)										
Size	A	B	C	D	E	OD	G	H	L	Weight
1/2 C x 3/8 IP	1.13	1.61	2.50	1.00	1.75	0.687	0.77	0.220	0.484	0.07
3/4 C x 1/2 IP	1.19	1.67	2.50	1.00	1.75	0.906	0.77	0.220	0.484	0.08
1 C x 3/4 IP	1.50	2.03	3.25	1.25	2.00	1.156	0.77	0.280	0.528	0.12
1 1/4 C x 1 IP	1.50	2.03	3.25	1.25	2.00	1.406	0.77	0.280	0.528	0.12
1 1/2 C x 1 1/4 IP	2.50	3.03	4.00	1.75	3.00	1.719	0.95	0.303	0.528	0.22
1 1/2 IP	2.63	3.15	4.50	2.19	3.25	1.969	0.95	0.303	0.528	0.25
2 IP	2.69	3.22	4.50	2.19	3.25	2.437	0.95	0.303	0.528	0.26
2 C	2.69	3.22	4.50	2.19	3.25	2.187	0.95	0.303	0.528	0.25

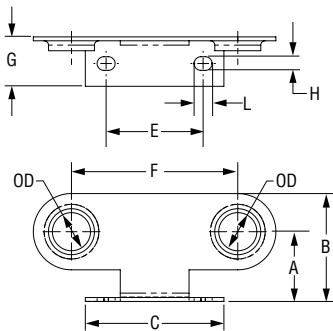


FIG. 221: DIMENSIONS (IN) • WEIGHT (LBS)										
Size	A	B	C	E	F	OD	G	H	L	Weight
1/2 C x 3/8 IP	2.50	2.83	2.50	1.75	3.00	0.687	0.82	0.246	0.325	0.16
3/4 C x 1/2 IP	2.50	2.83	2.50	1.75	3.00	0.906	0.82	0.246	0.325	0.15

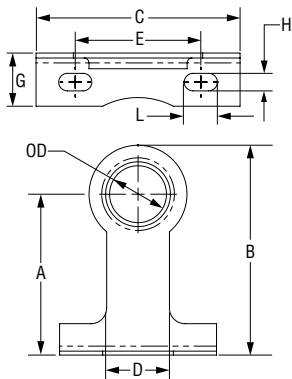


FIG. 223: DIMENSIONS (IN) • WEIGHT (LBS)										
Size	A	B	C	D	E	OD	G	H	L	Weight
1/2 C x 3/8 IP	2.50	2.98	2.50	1.00	1.75	0.687	0.77	0.220	0.484	0.10
3/4 C x 1/2 IP	2.50	2.98	2.50	1.00	1.75	0.906	0.77	0.220	0.484	0.10
1 C x 3/4 IP	2.69	3.22	3.25	1.25	2.00	1.156	0.77	0.280	0.528	0.15
1 1/4 C x 1 IP	2.69	3.22	3.25	1.25	2.00	1.406	0.77	0.280	0.528	0.17

Fig. 258

Pipe Saddle Support

Size Range: 4" through 36"

Material: Sizes 4" through 12" are Cast Iron. Sizes 14" through 36" are Carbon Steel.
 Sizes 4" through 12" are available in Carbon Steel by special request only.

Finish: Plain or Zinc Plated (Hot-Dip Galvanized optional)

Service: Stanchion type support for **stationary** pipe.

Approvals: Complies with Federal Specification A-A-1192A (Type 36),
 WW-H-171-E (Type 36 & 37), ANSI/MSS SP-69 and MSS SP-58 (Type 36).

Installation: Slip saddle base into riser pipe.

Ordering: Specify size to be supported, figure number, name, finish and material.

Order Separately: Figure 63P Square Cut End Stanchion. Specify "H" and pipe size to be supported by Figure 258.



Fig. 258 Cast

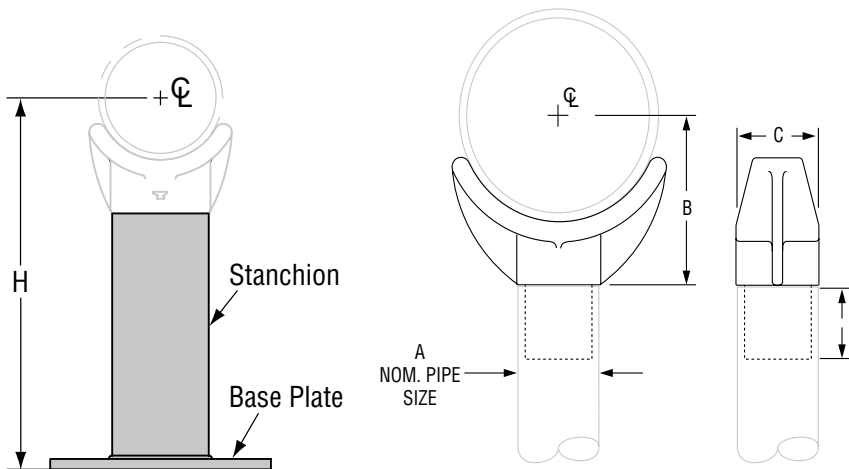


Fig. 63, Type P

Square Cut End for use with Figure 258 or 259 Pipe Saddle Support



Fig. 258 Fabricated Steel

FIG. 258: DIMENSIONS (IN) • WEIGHTS (LBS)

Pipe Size	Weight	A	B	Width C	Max Load
4	9.1	3	4 ³ / ₁₆	3 ⁵ / ₈	3,800
5	10.8		4 ¹³ / ₁₆		
6	11.8		5 ⁷ / ₁₆		
8	14.3		6 ¹⁵ / ₁₆		
10	19.3		8 ⁷ / ₁₆		
12	23.1		9 ¹⁵ / ₁₆		
14	15.0	4	10 ¹ / ₂	4	5,300
16	16.0		11 ¹ / ₂		
18	23.0		13 ¹ / ₂		
20	24.0		14 ¹ / ₂		
22	26.0		15 ¹ / ₂	5	7,300
24	30.0		17 ¹ / ₂		
26	32.0		18 ¹ / ₂		
30	41.0		20 ⁵ / ₈		
32	42.0		21 ⁵ / ₈	8 ³ / ₄	
36	46.0		23 ⁵ / ₈		

*Standard Wall Pipe The above load ratings are applicable to the saddle only and are not applicable to the stanchion or other means used to support the saddle.

Fig. 259

Pipe Saddle Support with U-Bolt

Size Range: 4" through 36" pipe

Material: Cast iron stanchion saddle with steel yoke and nuts. 14" through 36" carbon steel saddle with steel yoke. 4" through 12" steel saddle available on special request.

Finish: Plain or Zinc Plated (Hot-Dip Galvanized optional)

Service: Stanchion type support with additional stability provided by U-bolt attachment to pipe.

Approvals: Complies with Federal Specification A-A-1192A (Type 37), ANSI/MSS SP-69 and MSS SP-58 (Type 37).

Installation: Same as pipe saddle support Fig. 258, except that yoke is attached to saddle after pipe is in place.

Features: U-bolt yoke provides stability.

Ordering: Specify pipe size to be supported, figure number, name, material and finish.

Order Separately: Figure 63P Square Cut End Stanchion. Specify "H" and pipe size to be supported by Figure 259.



Fig. 259
Cast Iron



Fig. 259
Fabricated Steel

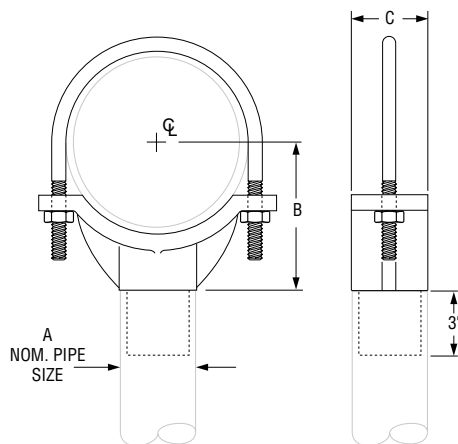


Fig. 259
Cast Iron

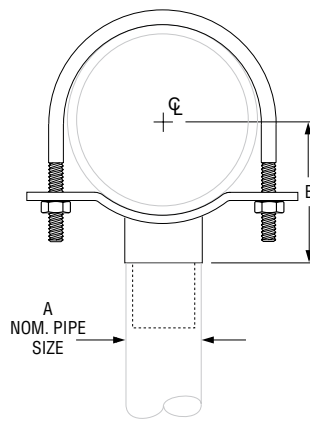


Fig. 259
Fabricated Steel

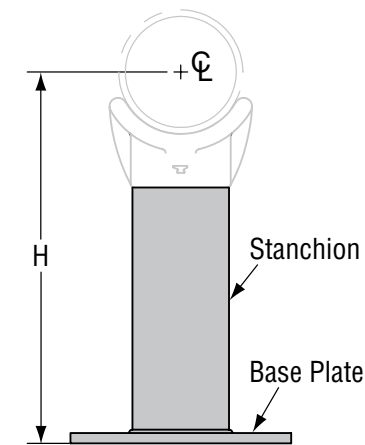


Fig. 63, Type P

Square Cut End for use with Figure 258 or 259 Pipe Saddle Support

FIG. 259: DIMENSIONS (IN) • WEIGHTS (LBS)

Pipe Size	Weight	A	B	Width C	Max Load
4	10.8	3	4 ³ / ₁₆	3 ⁵ / ₈	3,800
5	12.1		4 ¹³ / ₁₆		
6	12.7		5 ⁷ / ₁₆		
8	21.3		6 ¹⁵ / ₁₆		
10	25.7		8 ⁷ / ₁₆		
12	31.2		9 ¹⁵ / ₁₆		
14	28.0	4	10 ¹ / ₂	6	5,300
16	31.0		11 ¹ / ₂		
18	40.0		13 ¹ / ₂		6,700
20	43.0		14 ¹ / ₂		
22	46.0		15 ¹ / ₂	7,300	
24	52.0		17 ¹ / ₂		
26	55.0		18 ¹ / ₂		
30	69.0		20 ⁵ / ₈		
32	73.0		21 ⁵ / ₈		
36	81.0		23 ⁵ / ₈		

* Standard Wall Pipe

The above load ratings are applicable to the saddle only and are not applicable to the stanchion or other means used to support the saddle.

Fig. 264 (Formerly Afcon Fig. 707)

Adjustable Pipe Saddle Support

Size Range: 2 1/2" through 36"

Material: Cast iron saddle, locknut nipple and special cast iron reducer, assembled.

Finish: Plain or Zinc Plated (Nipple Reducer Assembly cannot be Hot-Dipped.)

Service: Stanchion type support where vertical adjustment of **stationary** pipe is required.

Approvals: Complies with Federal Specification A-A-1192A (Type 38), WW-H-171-E (Type 39), ANSI/MSS SP-69 and MSS SP-58 (Type 38).

Installation: Adjustment is obtained by turning the locknut nipple. The lower end of the nipple is staked, upsetting the threads to prevent separation of nipple and coupling during adjustment.

Features:

- Vertical adjustment of approximately 4 1/2"
- Saddle supports a broad range of pipe sizes

Ordering: Specify pipe size to be supported, figure number, name and finish.

Order Separately: Figure 63T Square Cut Threaded End Stanchion. Specify "H" and pipe size to be supported by Figure 264.

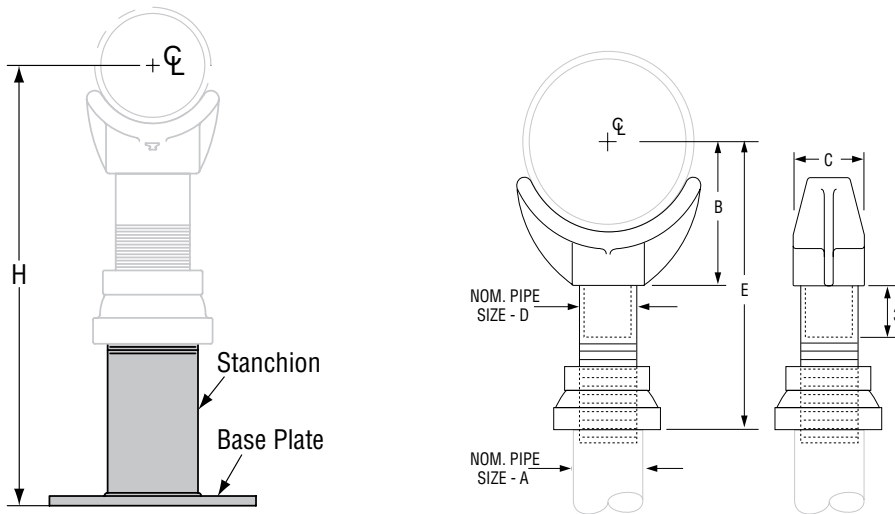


Fig. 63, Type T

Square Cut Threaded End for use with Figure 264 or 265 Adjustable Pipe Saddle Support

FIG. 264: DIMENSIONS (IN) • LOADS (LBS) • WEIGHT (LBS)

Pipe Size	Weight		A	B	D	E		Width C	Max Load
	Complete	Saddle Only				Min	Max		
2 1/2	9.0	4.8	2 1/2	3 1/2	1 1/2	8	13	3	1,800
3	9.2	5.0		3 3/4		8 1/4	13 1/4		
3 1/2	9.4	5.2		4		8 1/2	13 1/2		
4	15.0	7.6	3	4 1/4	2 1/2	9 1/4	14	3 5/8	3,800
5	16.7	8.3		4 7/8		10	14 3/4		
6	17.7	10.3		5 1/2		10 1/2	15 1/4		
8	20.2	12.8		6 7/8		11 3/4	16 1/2		
10	25.2	17.8		8 1/2		13 1/2	18 1/4		
12	29.0	21.6		9 15/16		15	19 3/4		
14	40.2	38.0	4	10 5/16	3	16 1/4	20 3/4	4 5/8	5,300
16	53.2	42.0		12 3/8		17 3/4	22 1/4		
18	70.8	51.0	6	15 5/8	3 1/2	19 1/2	24	6 3/4	6,700
20	104.8	85.0				21	25 1/2		
22	121.0	98.0				21 5/16	25 13/16		
24	137.0	110.0	4	17 9/16	4	23 3/4	28 1/4	8 3/4	7,300
26	154.0	130.0		18 1/2		24 5/16	28 13/16		
30	170.0	150.0		21 15/16		27	31 1/2		
32	181.0	161.1		22 1/2		28 1/4	32 3/4		
36	249.0	229.0		24 1/2		30 1/4	34 3/4		

* The special cast iron reducer may be furnished with a hexed shaped smaller end.

* Standard Wall Pipe

The above load ratings are applicable to the saddle only and are not applicable to the stanchion or other means used to support the saddle.

STANCHIONS & SUPPORTS

Fig. 265 (Formerly Afcon Fig. 708) Adjustable Pipe Saddle Support with U-Bolt

Size Range: 4" through 36"

Material: Cast iron saddle, steel yoke and nuts, steel locknut nipple and special cast iron reducer. (14" through 36" carbon steel saddle with steel yoke. 4" through 12" steel saddle available upon special request)

Finish: Plain or Zinc Plated (Hot-Dip Fasteners not available. Nipple Reducer Assembly cannot be Hot-Dipped.)

Service: Stanchion type support where vertical adjustment is required, plus the additional stability provided by U-bolt attachment to pipe.

Approvals: Complies with Federal Specification A-A-1192A (Type 38), WW-H-171-E (Type 39), ANSI/MSS SP-69 and MSS SP-58 (Type 38).

Installation: Adjustment is obtained by turning the locknut nipple. The lower end of the nipple is staked, upsetting the threads to prevent separation of nipple and coupling during adjustment.

Features:

- Vertical adjustment of approximately 4 1/2"
- Saddle supports a broad range of pipe sizes

Ordering: Specify pipe size to be supported, figure number, name and finish.

Order Separately: Figure 63T Square Cut Threaded End Stanchion. Specify "H" and pipe size to be supported by Figure 265.

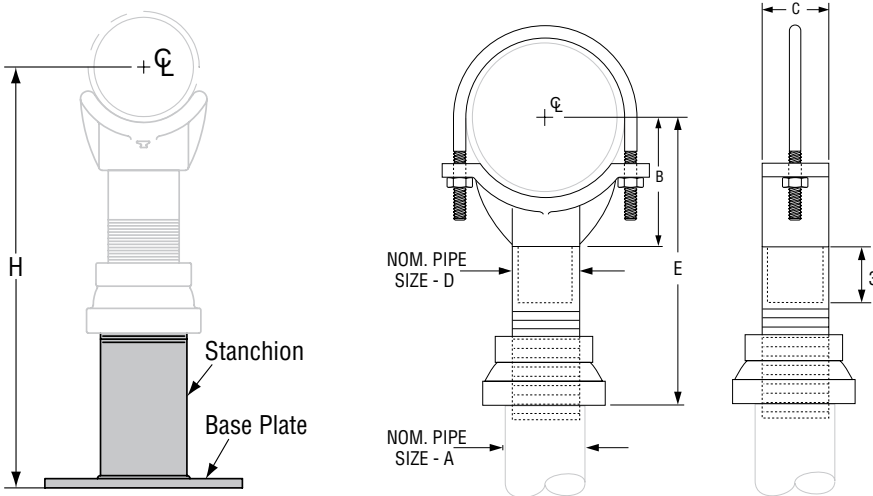


Fig. 63, Type T

Square Cut Threaded End for use with Figure 264 or 265 Adjustable Pipe Saddle Support

FIG. 265: DIMENSIONS (IN) • LOADS (LBS) • WEIGHT (LBS)

Pipe Size	Weight		A	B	D	E		Width C	Max Load
	Complete	Saddle Only				Min	Max		
4	22.0	10.8	4	4 ³ / ₁₆	3	9 ¹ / ₂	14	3 ⁵ / ₈	3,800
5	23.1	12.1		4 ¹³ / ₁₆		10 ¹ / ₈	14 ⁵ / ₈		
6	23.9	12.7		5 ⁷ / ₁₆		10 ³ / ₄	15 ¹ / ₄		
8	32.5	21.3		6 ¹⁵ / ₁₆		12 ¹ / ₄	16 ³ / ₄		
10	36.9	25.7		8 ⁷ / ₁₆		13 ³ / ₄	18 ¹ / ₄		
12	42.4	31.2		9 ¹⁵ / ₁₆		14 ⁵ / ₈	19 ¹ / ₈		
14	39.2	28.0	10 ¹ / ₂	15 ¹³ / ₁₆	20 ⁵ / ₁₆	6	7,300		
16	42.2	31.0	11 ¹ / ₂	16 ¹³ / ₁₆	21 ⁵ / ₁₆				
18	60.0	40.0	13 ¹ / ₂	19 ¹ / ₈	23 ⁵ / ₈				
20	63.0	43.0	14 ¹ / ₂	20 ¹ / ₈	24 ⁵ / ₈				
22	66.0	46.0	15 ¹ / ₂	21 ⁵ / ₁₆	25 ⁵ / ₁₆				
24	72.0	52.0	17 ¹ / ₂	23 ⁵ / ₁₆	27 ¹³ / ₁₆				
26	75.0	57.0	18 ¹ / ₂	24 ⁵ / ₁₆	28 ¹³ / ₁₆	6	7,300		
30	89.0	69.0	20 ⁵ / ₈	26 ¹ / ₁₆	30 ¹⁵ / ₁₆				
32	93.0	73.0	21 ⁵ / ₈	27 ¹ / ₁₆	31 ¹⁵ / ₁₆				
36	101.0	81.0	23 ⁵ / ₈	29 ¹ / ₁₆	33 ¹⁵ / ₁₆				

* The special cast iron reducer may be furnished with a hexed shaped smaller end.

* Standard Wall Pipe

The above load ratings are applicable to the saddle only and are not applicable to the stanchion or other means used to support the saddle.

Fig. 212

Medium Pipe Clamp

Size Range: 2" through 30"

Material: Carbon steel

Finish: Plain or Hot-Dip Galvanized with Zinc Plated Bolts & Nuts

Maximum Temperature: Plain 750° F, Galvanized 450° F

Service: Pipe clamp for figure numbers 257, 436, and 439 slides and tees.

Ordering: Specify pipe size, figure number, name and finish.

Note: Two clamps are required. "T" section 257/436 is notched to accommodate clamps and to eliminate the increase in height of the slide assembly.

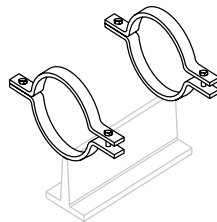
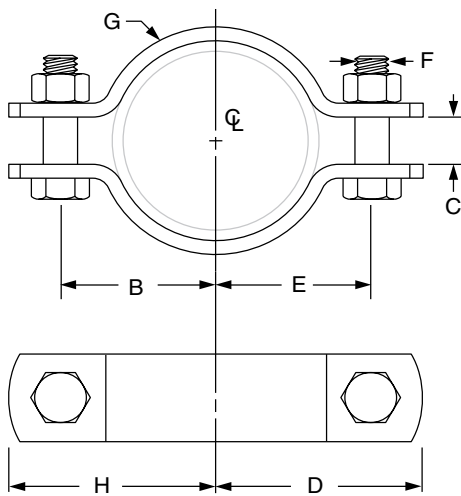


Fig. 257
w/ Fig 212 Clamps

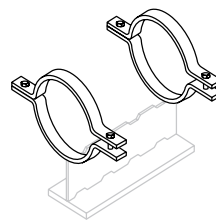


Fig. 436
w/ Fig 212 Clamps

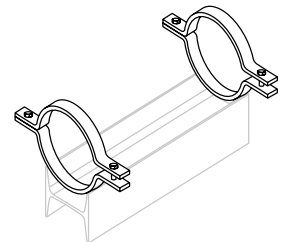


Fig. 439
w/ Fig 212 Clamps

FIG. 212: DIMENSIONS (IN) • WEIGHT (LBS)

Pipe Size	B	C	D	E	H	F	G Width	Weight
2	2 ¹ / ₈	1/2	2 ³ / ₄	2 ¹ / ₈	2 ³ / ₄	1/2	1	2.2
2 ¹ / ₂	2 ⁵ / ₈	5/8	3 ¹ / ₄	2 ⁵ / ₈	3 ¹ / ₄			2.4
3	2 ⁷ / ₈		3 ¹ / ₂	2 ⁷ / ₈	3 ¹ / ₂			2.8
3 ¹ / ₂	3 ³ / ₁₆		3 ¹³ / ₁₆	3 ³ / ₁₆	3 ¹³ / ₁₆			3.0
4	3 ¹ / ₂	3/4	4 ¹ / ₄	3 ¹ / ₂	4 ¹ / ₄			4.6
5	4 ³ / ₁₆		4 ¹⁵ / ₁₆	4 ³ / ₁₆	4 ¹⁵ / ₁₆	5/8	5.2	
6	4 ⁷ / ₈		5 ³ / ₄	4 ⁷ / ₈	5 ³ / ₄	3/4	10.8	
8	6	6 ⁷ / ₈	6	6 ⁷ / ₈	13.0			
10	7 ⁷ / ₁₆	1	8 ⁹ / ₁₆	7 ⁷ / ₁₆	8 ⁹ / ₁₆	7/8	2	27.2
12	8 ⁷ / ₁₆		9 ⁹ / ₁₆	8 ⁷ / ₁₆	9 ⁹ / ₁₆			30.4
14	9 ¹ / ₄		10 ⁵ / ₈	9 ¹ / ₄	10 ⁵ / ₈			2 ¹ / ₂
16	10 ¹ / ₄	11 ⁵ / ₈	10 ¹ / ₄	11 ⁵ / ₈	44.6			
18	11 ⁵ / ₈	1 ¹ / ₄	13	11 ⁵ / ₈	13	1	3	63.2
20	12 ³ / ₄	1 ³ / ₈	14 ¹ / ₈	12 ³ / ₄	14 ¹ / ₈			71.6
24	15 ¹ / ₄	1 ⁵ / ₈	16 ⁷ / ₈	15 ¹ / ₄	16 ⁷ / ₈			106.2
30	19	2	21 ¹ / ₈	19	21 ¹ / ₈	1 ³ / ₄	4	227.8

•Clamps may be furnished with square ends.

Fig. 255

Pipe Alignment Guide

Size Range: 1" through 24" pipe and insulation thickness of 1" through 4"

(Also available in copper tube sizes, see page 134)

Material: Carbon steel

Finish: Plain or Hot-Dip Galvanized with Zinc Plated Bolts & Nuts

Service: For maintaining alignment of piping through its axial expansion and contraction cycles. Normally, two or more pipe alignment guides are used on a single piping run to avoid a pivoting effect within the piping system. It is recommended that the first guide be located a maximum of four pipe diameters from an expansion joint.

The second guide should be placed a maximum of 18 pipe diameters from an expansion joint. Additional guides should be employed in accordance with the guide spacing data shown on next page. Supports are usually required between the intermediate guides to comply with standard support practice.

Maximum Temperature: 650° F

Installation:

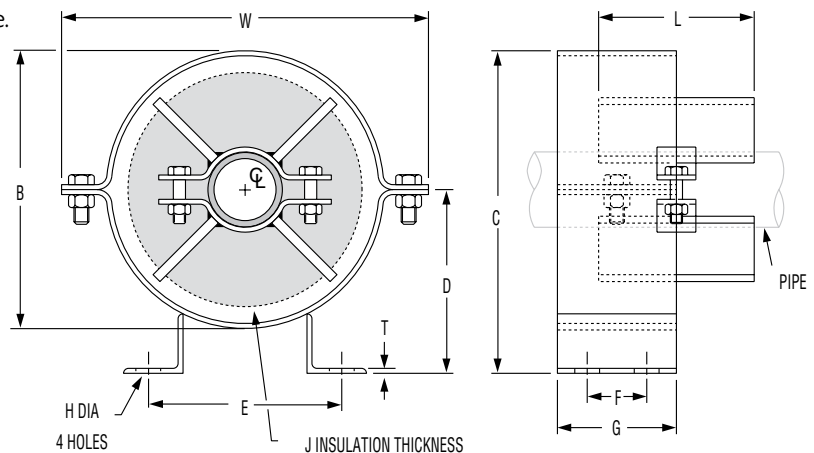
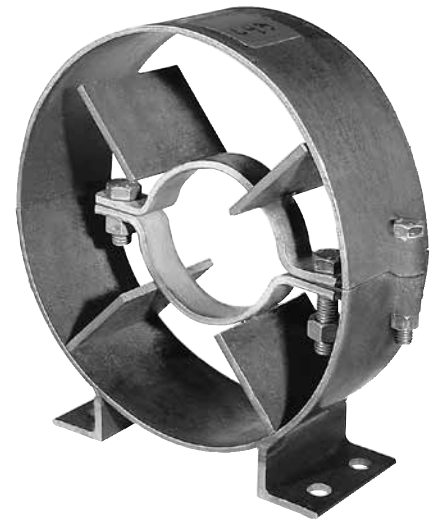
- (1) Attach outer housing to structure by bolting or welding.
- (2) Remove upper section of housing to open position.
- (3) Attach spider clamp to pipe and completely insulate.
- (4) Set pipe and spider clamp into outer housing.
- (5) Replace upper section of housing to closed position and secure.

Note: Spider attachments to pipe must be properly located during installation to insure that a minimum of one-half the spider width remains within the length of the outer housing for all conditions of operation. See table on opposite page for maximum recommended travels. If larger travels are required, special guides can be furnished to special order.

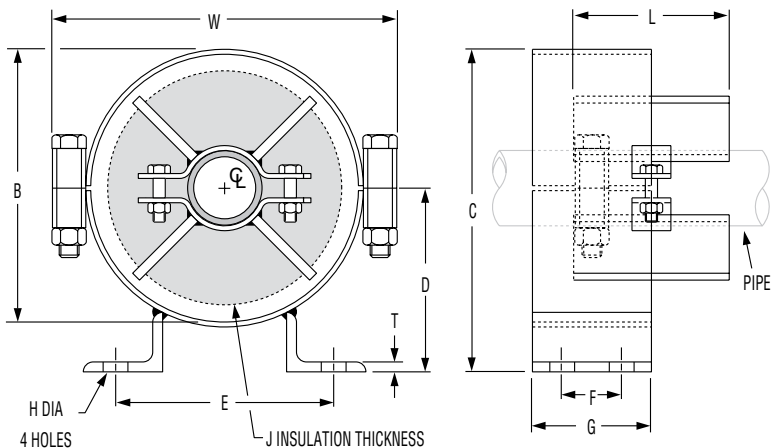
How to size: Size by nominal pipe size and insulation thickness in accordance with the selection table on the opposite page.

Ordering: Specify size number, pipe size, insulation, thickness, figure number, name and finish.

Caution: The primary function of the Figure 255 is to maintain axial alignment of a system. Other components should be incorporated into the system to carry the primary loading of the system. Guides are designed such that minor loading amounts may be transferred to the guide in any given direction, up to 20% of dead weight load for typical maximum spans of a given pipe diameter.



Pipe Alignment Guide
Figure 255, Size A & B



Pipe Alignment Guide
Figure 255, Size C thru J

Pipe Size (in)	L (in)	Maximum Movement
1" to 6"	4	4
8" to 16"	6	6
18" to 24"	8	8

Dimensional Data on Following Page.

Fig. 255

Pipe Alignment Guide (cont.)

GUIDE SIZE NUMBER						
Pipe Size	Insulation Thickness (in)					
	1	1½	2	2½	3	4
1						
1¼	A	A	A	B	B	C
1½						
2	B	B	B	C	D	D
2½						
3						
3½						
4	C	C	C	D	D	E
5						
6	D	D	D	E		
8	–	E	E	E		F
10	–	F	F	F	F	G
12	–					
14	–	–	G	G	G	H
16	–	–				
18	–	–	–	–	H	H
20	–	–	–	–		
24	–	–	–	–	J	J

GUIDE SIZE SELECTION TABLE									
Locate bare nominal pipe size in appropriate insulation thickness column and read guide size from "Guide Size No." column to the left.									
Guide Size No.	Dimensions (in)								
	W	B	C	D	E	F	G	H	T
A	8 ¹³ / ₁₆	6¾	8 ⁷ / ₈	4 ⁵ / ₁₆	6¾	2½	4	5 ⁵ / ₈	¼
B	10 ¹³ / ₁₆	8¾	9 ⁷ / ₈	5 ⁵ / ₁₆	7 ³ / ₈				
C	13 ³ / ₁₆	11¼	12 ⁷ / ₁₆	6 ⁵ / ₈	7 ⁷ / ₈				
D	15 ⁷ / ₈	13 ³ / ₈	14 ¹³ / ₁₆	7 ¹⁵ / ₁₆	9¾	4	6	¾	¾
E	18	15½	17 ¹ / ₁₆	9 ⁵ / ₈					
F	22¼	19¾	21 ¹ / ₁₆	11	14 ¹ / ₈	5½	8	1	¾
G	28	25	26¼	13 ³ / ₁₆	15 ⁷ / ₈				
H	32 ³ / ₈	29¼	30¾	15 ⁷ / ₈	16 ³ / ₈				
J	37 ⁵ / ₈	34½	36 ⁵ / ₈	18 ⁵ / ₈	17 ⁷ / ₈				

Pipe Size* (in)	Maximum Distance (feet) Between Intermediate Guides for Pressure (psig)									
	50	100	150	200	250	300	350	400	500	600
3	38	27	22	20	18	17	15	14	13	12
4	52	37	32	27	25	23	22	19	17	16
6	66	47	40	35	31	28	27	25	23	20
8	85	62	51	45	40	36	35	32	29	27
10	103	75	62	54	50	45	42	40	35	32
12	118	85	70	60	55	50	46	43	40	35
14	120	87	72	62	57	52	48	45	41	37
16	130	95	78	68	61	57	52	49	45	41
18	145	105	87	75	68	62	58	55	50	45
20	155	110	92	90	73	68	62	58	53	49
24	180	128	105	90	83	75	70	65	60	54

* For pipe sizes not shown refer to the Expansion Joint Manufacturers Association Guidelines

Fig. CT-255

Copper Tubing Alignment Guide

Size Range: 1" through 4"

Material: Carbon steel

Finish: Plain or Hot-Dip Galvanized Housing with Zinc Plated Bolts and Nuts.

(Hot-Dip Galvanized optional) Copper Plated Finish on Spider Clamp.

Service: For maintaining alignment of tubing through its axial expansion and contraction cycles. Normally, two or more pipe alignment guides are used on a single tubing run to avoid a pivoting effect within the tubing system. Consult the Expansion Joint Manufacturers Association or the Copper Tube Manufacturers for additional guidelines of spacing requirements of intermediate guides. Supports are usually required between intermediate guides to comply with standard support practices.

Maximum Temperature: 400° F

Installation:

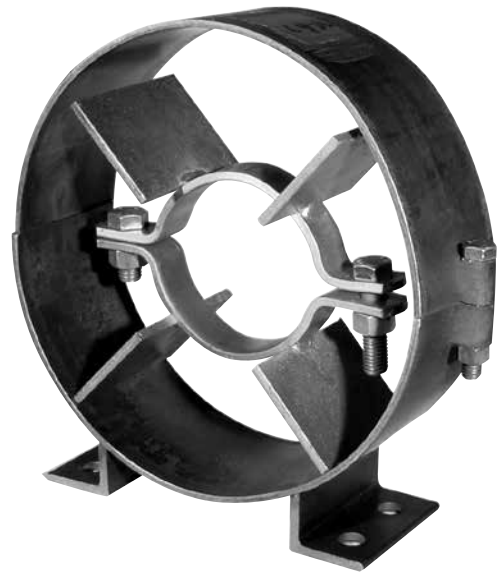
- (1) Attach outer housing to structure by bolting or welding.
- (2) Remove upper section of housing to open position.
- (3) Attach spider clamp to tube and completely insulate.
- (4) Set tube and spider clamp into outer housing.
- (5) Replace upper section of housing to closed position and secure.

Note: Spider attachments to tube must be properly located during installation to insure that a minimum of one-half the spider width remains within the length of the outer housing for all conditions of operation. If larger travels are required, special guides can be furnished to special order.

How to size: Size by nominal tube size and insulation thickness in accordance with the selection table.

Ordering: Specify size number, tube size, insulation thickness, figure number, name and finish.

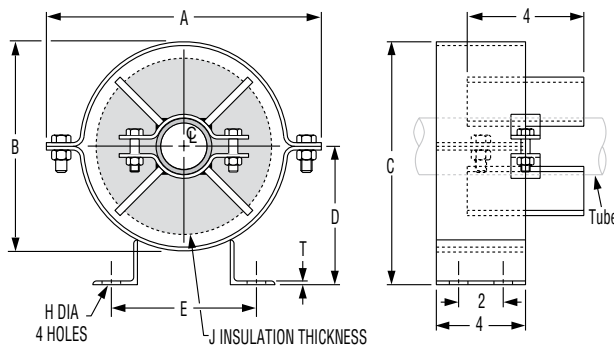
Caution: The primary function of the Figure CT-255 is to maintain axial alignment of a system. Other components should be incorporated into the system to carry the primary loading of the system. Guides are designed such that minor loading amounts may be transferred to the guide in any given direction, up to 20% of dead weight load for typical maximum spans of a given pipe diameter.



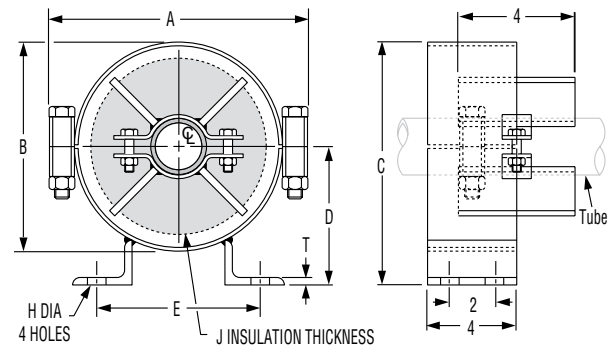
Tube Size (in)	L (in)	Maximum Movement
1" to 4"	4	4

Fig. CT-255

Copper Tubing Alignment Guide (cont.)



Copper Tubing Alignment Guide, Figure CT-255, Size A & B



Copper Tubing Alignment Guide, Figure CT-255, Size C thru D

Guide Size No.	Dimensions (in)						
	A	B	C	D	E	H	T
A	8 ¹³ / ₁₆	6 ³ / ₄	8	4 ⁵ / ₈	5 ³ / ₄	5 ⁵ / ₈	1 ¹ / ₄
B	10 ¹³ / ₁₆	8 ³ / ₄	10	5 ⁵ / ₈	7		
C	13 ⁵ / ₁₆	11 ¹ / ₄	12 ⁷ / ₁₆	6 ⁵ / ₈	7 ³ / ₄	3 ³ / ₄	3 ³ / ₈
D	15 ⁵ / ₈	13 ³ / ₈	14 ¹³ / ₁₆	7 ¹⁵ / ₁₆	9 ³ / ₄		

Tube Size	Guide Size Number					
	Insulation Thickness (in)					
	1	1½	2	2½	3	4
½	A	A	A	A	—	—
¾	A	A	A	A	—	—
1	A	A	A	A	C	C
1¼	A	A	A	C	C	C
1½	A	A	A	C	C	C
2	B	B	B	B	C	C
2½	B	B	B	B	C	C
3	B	B	B	B	D	D
3½	B	B	B	D	D	D
4	B	B	B	D	D	D

Fig. 256

Pipe Alignment Guide

Size Range: 1" through 24" pipe and insulation thickness of 1" through 4"

Material: Carbon steel

Finish: Plain or Hot-Dip Galvanized with Zinc Plated Bolts & Nuts

Service: For maintaining alignment of piping through its axial expansion and contraction cycles. Normally, two or more pipe alignment guides are used on a single piping run to avoid a pivoting effect within the piping system. It is recommended that the first guide be located a maximum of four pipe diameters from an expansion joint. The second guide should be placed a maximum of 18 pipe diameters from the expansion joint. Additional guides should be employed in accordance with the guide spacing data on next page. Supports are usually required between the intermediate guides to comply with standard support practice.

Maximum Temperature: 750° F

Installation:

- (1) Attach outer housing to structure by bolting or welding.
- (2) Swing upper section of housing to open positions.
- (3) Attach spider clamp to pipe and completely insulate.
- (4) Set pipe and spider clamp into outer housing.
- (5) Replace upper section of housing to closed position and secure.

Note: Spider attachments to pipe must be properly located during installation to insure that a minimum of one-half the spider width remains within the length of the outer housing for all conditions of operation. See table on opposite page for maximum recommended travels. If larger travels are required, special guides can be furnished to special order.

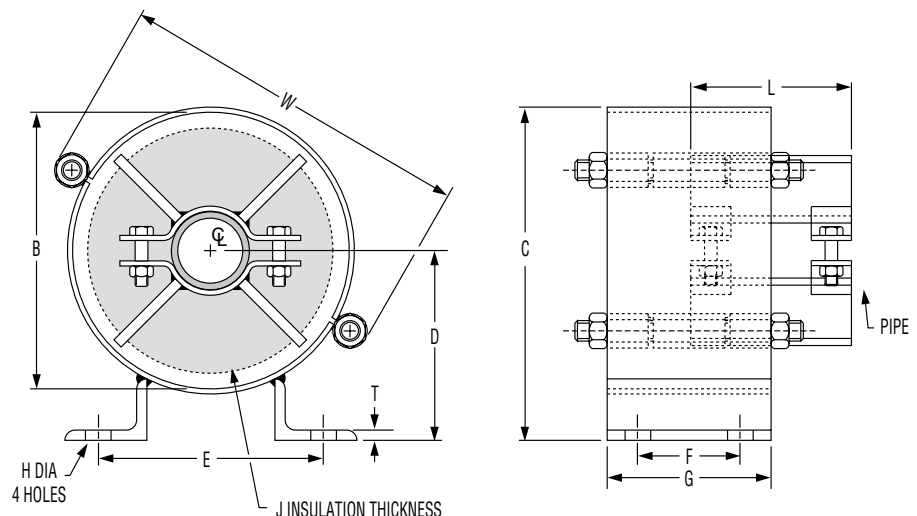
How to size: Size by nominal pipe size and insulation thickness in accordance with the selection table on opposite page.

Ordering: Specify size number, pipe size, insulation thickness, figure number, name and finish.

Caution: The primary function of the Figure 256 is to maintain axial alignment of a system. Other components should be incorporated into the system to carry the primary loading of the system. Guides are designed such that minor loading amounts may be transferred to the guide in any given direction, up to 20% of dead weight load for typical maximum spans of a given pipe diameter.



Pipe Size (in)	L (in)	Maximum Movement
1" to 6"	6	6
8" to 16"	8	8
18" to 24"	10	10



Dimensional Data on Following Page.

Fig. 256

Pipe Alignment Guide (cont.)

GUIDE SIZE NUMBER						
Pipe Size	Insulation Thickness (in)					
	1	1½	2	2½	3	4
1	A	A	A	B	B	C
1¼	A	A	A	B	B	C
1½	A	A	A	B	B	C
2	B	B	B	B	C	C
2½	B	B	B	B	C	D
3	B	B	B	C	C	D
3½	B	B	B	C	C	D
4	C	C	C	C	C	D
5	C	C	C	D	D	E
6	D	D	D	D	E	E
8	–	E	E	E	E	F
10	–	F	F	F	F	F
12	–	F	F	F	F	G
14	–	–	G	G	G	G
16	–	–	G	G	G	G
18	–	–	–	–	H	H
20	–	–	–	–	H	H
24	–	–	–	–	J	J

GUIDE SIZE SELECTION TABLE									
Locate bare nominal pipe size in appropriate insulation thickness column and read guide size from "size no." column to the left.									
Guide Size No.	Dimensions (in)								
	W	B	C	D	E	F	G	H	T
A	8 ¹³ / ₁₆	6¾	7 ⁷ / ₈	4 ⁵ / ₁₆	6¾	2½	4	5 ⁵ / ₈	¼
B	10 ¹³ / ₁₆	8¾	9 ⁷ / ₈	5 ⁵ / ₁₆	7 ³ / ₈				
C	13¾	11¼	12 ⁷ / ₁₆	6 ⁵ / ₈	7 ⁷ / ₈	4	6	¾	¾
D	15 ⁷ / ₈	13 ³ / ₈	14 ¹³ / ₁₆	7 ¹⁵ / ₁₆	9¾				
E	18	15½	17 ¹ / ₁₆	9 ¹ / ₈		5½	8	1	¾
F	22¼	19¾	21 ¹ / ₁₆	11	14 ¹ / ₈				
G	28	25	26¼	13 ³ / ₁₆	15 ⁷ / ₈				
H	32 ³ / ₈	29¼	30¾	15 ⁷ / ₈	16 ³ / ₈				
J	37 ⁵ / ₈	34½	36 ¹ / ₈	18 ⁵ / ₈	17 ¹ / ₈				

RECOMMENDED EXPANSION JOINT GUIDE SPACING										
Pipe Size* (in)	Maximum Distance (feet) Between Intermediate Guides for Pressure (psig)									
	50	100	150	200	250	300	350	400	500	600
3	38	27	22	20	18	17	15	14	13	12
4	52	37	32	27	25	23	22	19	17	16
6	66	47	40	35	31	28	27	25	23	20
8	85	62	51	45	40	36	35	32	29	27
10	103	75	62	54	50	45	42	40	35	32
12	118	85	70	60	55	50	46	43	40	35
14	120	87	72	62	57	52	48	45	41	37
16	130	95	78	68	61	57	52	49	45	41
18	145	105	87	75	68	62	58	55	50	45
20	155	110	92	90	73	68	62	58	53	49
24	180	128	105	90	83	75	70	65	60	54

* For pipe sizes not shown refer to the Expansion Joint Manufacturers Association Guidelines

PTFE Pipe Slide Assemblies

Overview

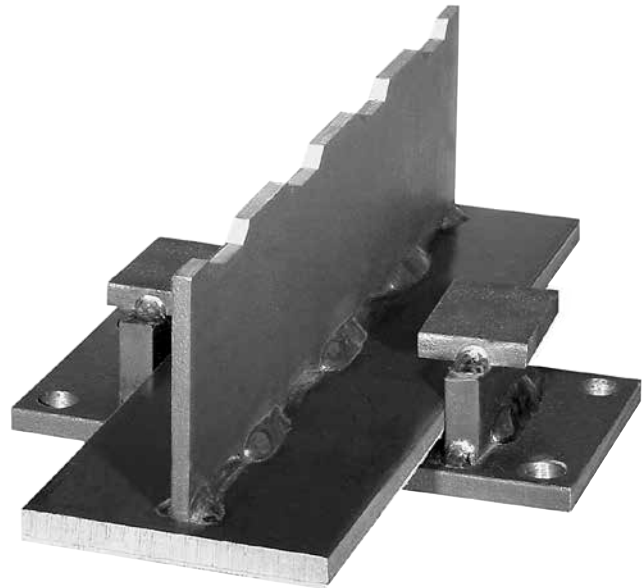
Application

Anvil PTFE pipe slide assemblies are designed to support the pipe and provide for lateral and axial movement due to thermal expansion and contraction of the piping system.

Assemblies are fabricated using PTFE slide bearings to provide a low coefficient of friction, minimizing frictional stress on the pipe and support structure.

Features

- Pre-engineered to save calculation and installation time.
- PTFE slide bearing pads are composed of 100% virgin Polytetrafluoroethylene polymer.
- Capable of supporting constant loads up to 2000 PSI at 70° F
- Coefficient of friction typically ranges between 0.06 and 0.2 depending on bearing surface area, bearing load (sample ranges shown in chart for given pressures at 70°F). Consult your Anvil representative for further information. The low coefficient of friction for the PTFE slide assemblies permits a smooth, unrestrained movement of the pipe and reduces overturning movements on supporting structures.
- PTFE is chemically inert and resists attack by chemicals, humidity and other elements found in harsh environments provided that the steel supports are suitably protected.
- Self-lubricating, maintenance-free.
- Provides resistance to galvanic corrosion between pipe and support structure.
- Maximum temperature: 400° F at PTFE
- Allows for up to 4" insulation thickness as standard. Greater than 4" insulation available on special request. Special designed slides and tees available on request.



Selection

- (1) Determine the support location based on allowable span and loading conditions.
- (2) Calculate the load for each slide assembly location.
- (3) Determine the lateral and axial movement of the pipe and the direction of movement, cold to hot.
- (4) Select pipe slide or tee figure number and attachment configuration, welded or bolted.
- (5) Select the method of slide plate attachment to support structure, welded or bolted.
- (6) Designate whether guided or non-guided slide plate is required.
- (7) Maximum recommended loads shown for pipe slides and structural tees are for vertical loading. Transitional loads for pipe structural tees are to be determined by customer.

Installation

- (1) Determine offset of pipe slide-slide plate interface to allow maximum pipe movement in direction of greatest thermal displacement.
- (2) Attach PTFE slide to pipe by welding or clamping with standard Fig. 212 pipe clamp or Fig. 432 special pipe clamp.
- (3) Attach slide plates to supporting structure by bolting or welding.
- (4) Verify setting to insure full bearing between the PTFE slide and slide base surfaces under all pipe movement conditions.

Note: PTFE surfaces should be protected from mechanical damage and contamination as well as from ultraviolet rays prior to installation.

PTFE Pipe Slide Assemblies

Overview (cont.)

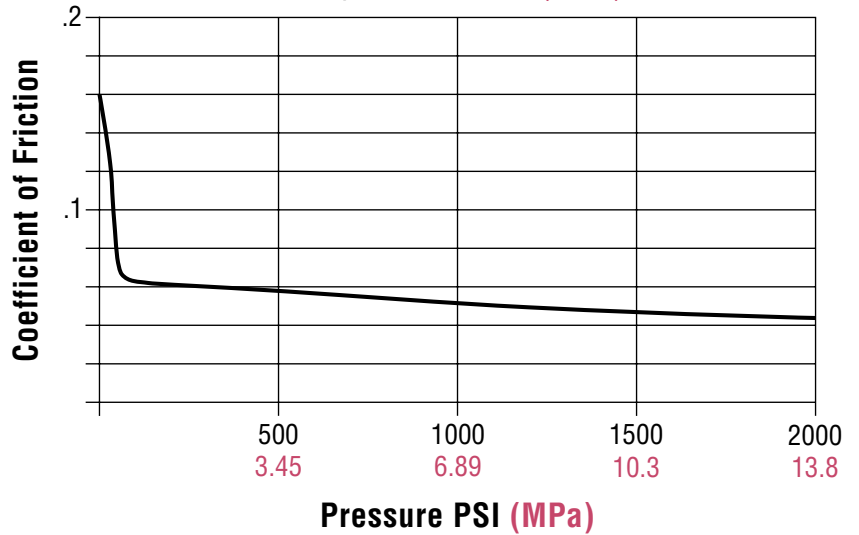
The maximum load on the pipe slides is based on using a PTFE width of 2" for the slide plate and a 70° F temperature. For a different temperature at the bearing surfaces, multiply the maximum load rating by the following factor.

Temperature °F	Factor
70	1.00
100	0.85
200	0.55
300	0.40
400	0.25

COEFFICIENT OF FRICTION VERSUS PRESSURE

Test Speed: 1"/min. (25mm/min.)

Temperature: 70°F (21°C)



Stanchions & Supports

Guides & Slides

Pipe Rolls & Saddles

Trapeze

Spring Hangers

Constant Supports

Vibration Control & Sway Brace

Sway Strut Assembly

Snubbers

Special Design Products

Seismic Braces

Seismic Restraints

Technical Data

Index

Fig. 257: Structural Tee Slide Assembly

Fig. 257A: Structural Tee

Fig. 436: Fabricated Tee Slide Assembly

Fig. 436A: Fabricated Tee

Pipe Slides Assembly, Complete

Size Range: All sizes within maximum load rating.

Material: Carbon steel tee, PTFE bonded slide plates and carbon steel base.

Finish: Plain, Painted or Hot-Dip Galvanized (Welded after Galvanizing and Cold Spray Touched-up)

Service: For the support of piping where horizontal movement resulting from expansion and contraction takes place and where a low coefficient of friction is desired.

Approvals: Complies with Federal Specification A-A-1192A (Type 35), ANSI/MSS SP-69 and MSS SP-58 (Type 35).

Maximum Load: As indicated at 70° F see page 139 for rating factor at higher temperatures.

Maximum Temperature: 750° F

Temperature Range at PTFE: -20° F to 400° F

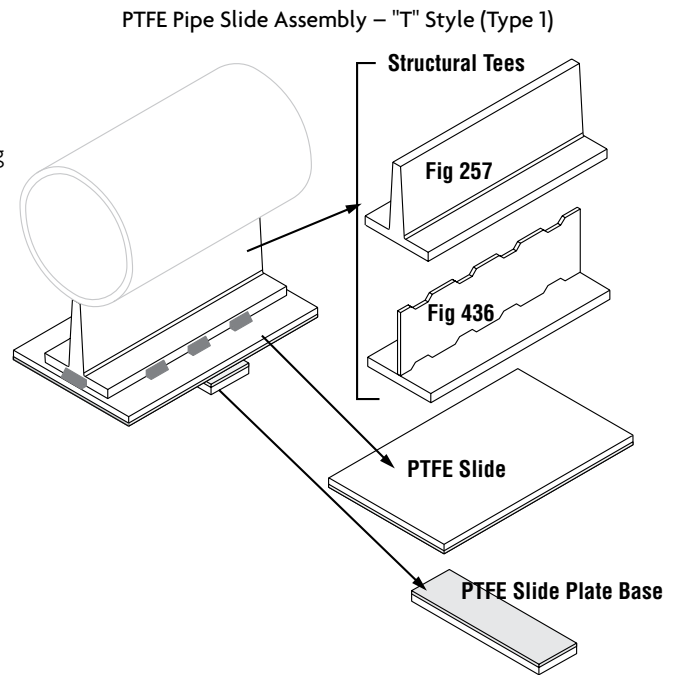
Features:

- No lubrication required.
- Designed to minimize heat loss.
- Allows up to 3" of insulation on Types 1, 2, 4 & 5 and up to 2 1/2" of insulation on Types 3 & 6.
- Allows up to 10" travel standard
- Weld in place design.

Available Options:

- Increased travels.
- Increased tee heights.
- End plates.
- Clamps, Fig. 212 or Fig. 432.
- Base plate with mounting holes
- High temperature option, 1000° F (Fig. 436) Stainless steel tee slide with an insulated PTFE slide

Ordering: Specify figure number, type, name, finish and any other option desired.



Note: In the PH-92 and PH-92R Catalogs:

The Fig. 257 & 436 (slide "T" section only) formerly referred to as Fig. 280 & 435

The Fig. 257 & 436 (slide base plate) formerly referred to as Fig. 438 (slide base plate)

The acceptability of galvanized coatings at temperatures above 450° F is at the discretion of the end user.

FIG. 257, 436: DIMENSIONS (IN) • LOADS (LBS) • WEIGHTS (LBS)

Figure Number	Type	Max Load			Welded Slide				Bolted Slide					
		Down	Side *	Up	H **	W	BL	Weight	H **	W	BL	Hole Locations	Bolt Size	Weight
Fig. 257	Tee	8,000	2,000	800	3 ¹⁵ / ₁₆	4	12	7.00	—	—	—	—	1/2	—
	1				4 ³ / ₄	4	2	11.93	4 ³ / ₄	—	—	—		15.25
	2				5	8	4	16.10	5	8	4	2 1/2 x 6 1/2		16.10
	3				4 ³ / ₄	6	2	12.47	4 ³ / ₄	—	—	—		16.95
	4				5	11 1/2	5	18.81	5	11 1/2	5	3 1/2 x 10		19.21
	6				19.66	5	11 1/2	5	20.06					
Fig. 436	Tee	8,000	2,000	800	4	4	12	7.00	—	—	—	1/2	—	
	1				4 ¹¹ / ₁₆	4	2	15.42	4 ¹¹ / ₁₆	—	—		—	18.74
	2				4 ¹⁵ / ₁₆	8	4	19.59	4 ¹⁵ / ₁₆	8	4		2 1/2 x 6 1/2	19.59
	3				4 ¹¹ / ₁₆	6	2	20.44	4 ¹¹ / ₁₆	—	—		—	20.44
	4				4 ¹¹ / ₁₆	6	2	15.97	4 ¹¹ / ₁₆	11 1/2	5		3 1/2 x 10	21.85
	5				22.30	4 ¹⁵ / ₁₆	11 1/2	5	22.70					
6	23.15	4 ¹⁵ / ₁₆	11 1/2	5	23.55									

* Side load is only applicable if appropriate endplates are added to slide or "T" Section

** With the Fig. 432 clamp, add the material thickness. The Tees are now being notched for the material thickness when welding on the Fig. 212 See page 131.

Fig. 257 and 436 PTFE Pipe Slide Assemblies

Stanchions & Supports

Guides & Slides

Pipe Rolls & Saddles

Trapeze

Spring Hangers

Constant Supports

Vibration Control & Sway Brace

Sway Strut Assembly

Snubbers

Special Design Products

Seismic Braces

Seismic Restraints

Technical Data

Index

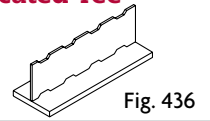
Notes:

- Types 1, 2, and 3 provide for longitudinal movement only.
- Types 4, 5, and 6 provide for both longitudinal and transverse movement of piping.

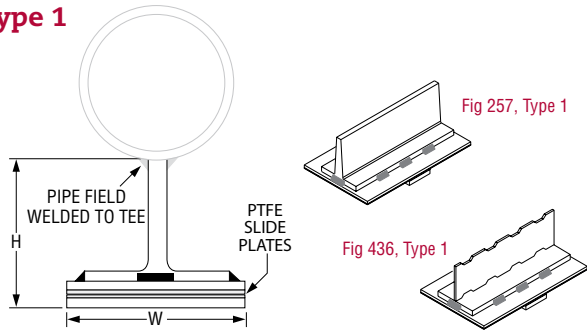
Structural Tee



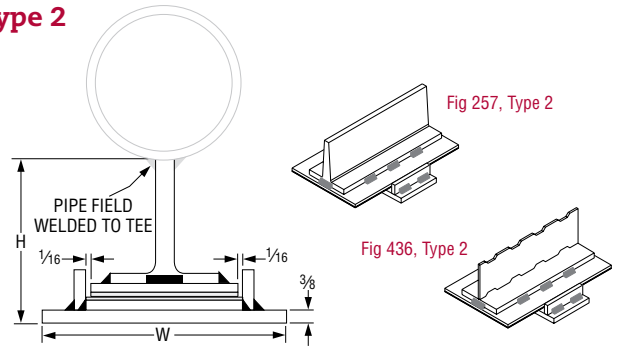
Fabricated Tee



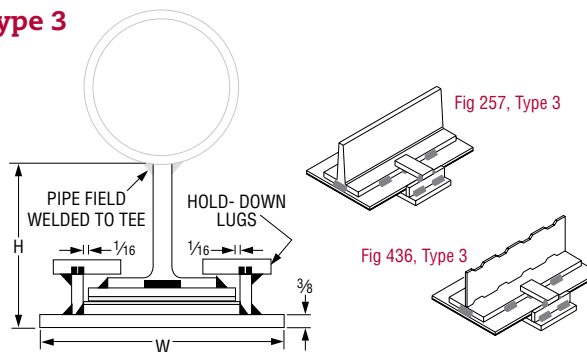
Type 1



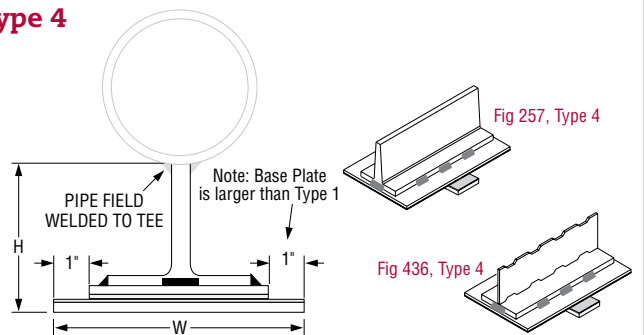
Type 2



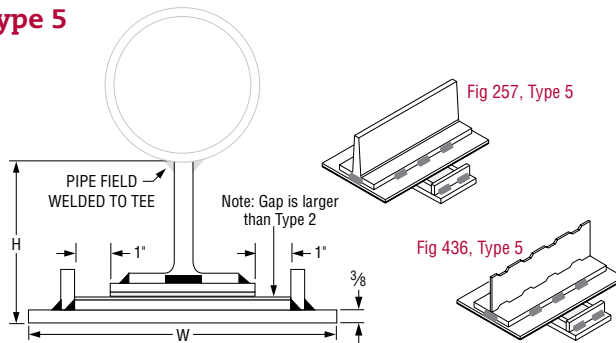
Type 3



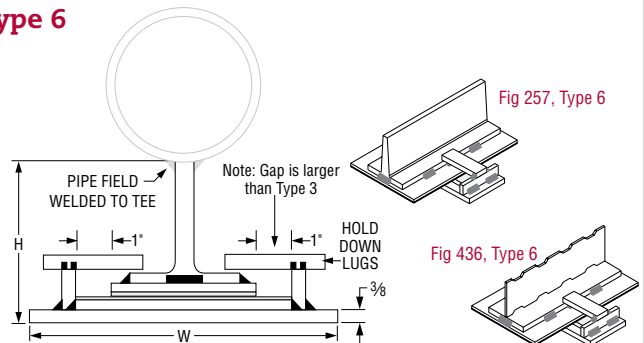
Type 4



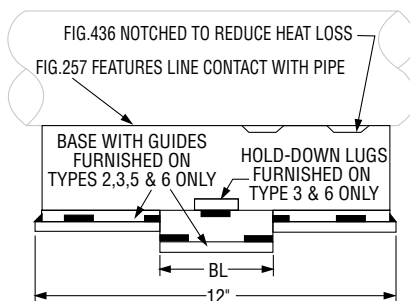
Type 5



Type 6



Side View, All Types



Options (for all types)

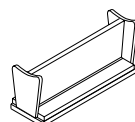


Fig. 257 w/End Plates

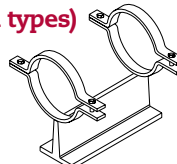


Fig. 257 w/Fig 212 Clamps

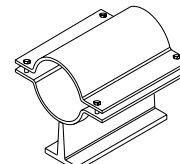


Fig. 257 w/Fig 432 Clamp

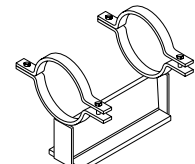


Fig. 257 w/Fig 212 Clamps & End Plates

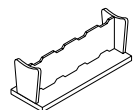


Fig. 436 w/End Plates

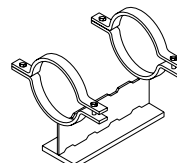


Fig. 436 w/Fig 212 Clamps

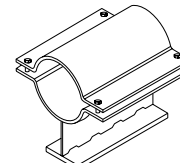


Fig. 436 w/Fig 432 Clamp

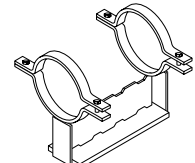


Fig. 436 w/Fig 212 Clamps & End Plates

Fig. 439: Structural "H" Slide Assembly
Fig. 439A: Structural "H"

Pipe Slide Assembly, Complete

Size Range: 6" through 36"

Material: Carbon steel "H" section, PTFE bonded slide plates and carbon steel base.

Finish: Plain, Painted or Hot-Dip Galvanized (Welded after Galvanizing and Cold Spray Touched-up)

Service: A heavy duty slide support where horizontal movement resulting from expansion and contraction takes place and where a low coefficient of friction is desired.

Approvals: Complies with Federal Specification A-A-1192A (Type 35), ANSI/MSS SP-69 and MSS SP-58 (Type 35).

Maximum Load: As indicated at 70° F see page 139 for rating factor at higher temperatures.

Maximum Temperature: 750° F

Temperature Range at PTFE: -20° F to 400° F

Features:

- No lubrication required.
- Allows up to 4" of insulation.
- Allows up to 10" travel standard.
- Weld in place design.

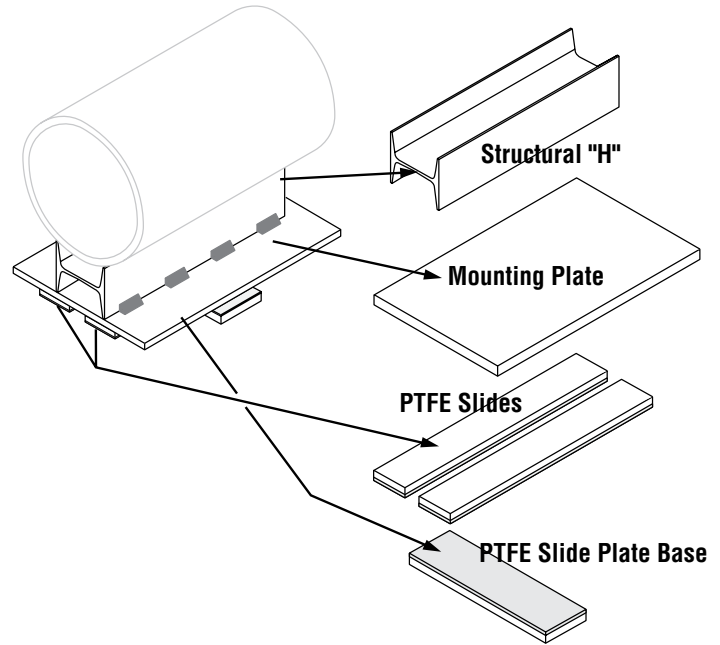
Available Options:

- Increased travels.
- Increased "H" Section heights.
- Clamps, Fig. 212 or Fig. 432.
- Base plate with mounting holes. The bolt spacing for the bolted base plates is equal to the "W" dimension minus 1 1/2" and the "BL" dimension minus 1 1/2" for all pipe sizes and the hole diameter is 9/16" for all sizes.

Ordering: Specify figure number, type, name, finish and any other option desired.

Notes: Types 1, 2, and 3 provide for longitudinal movement only. Types 4 and 5 provide for both longitudinal and transverse movement of piping.

PTFE Pipe Slide Assembly – "H" Type



Note: In the PH-92 and PH-92R Catalogs:

The Fig. 439 (slide "H" section only) formerly referred to as Fig. 437.

The Fig. 439 (slide base plate) formerly referred to as Fig. 438 (slide base plate).

The acceptability of galvanized coatings at temperatures above 450°F is at the discretion of the end user.

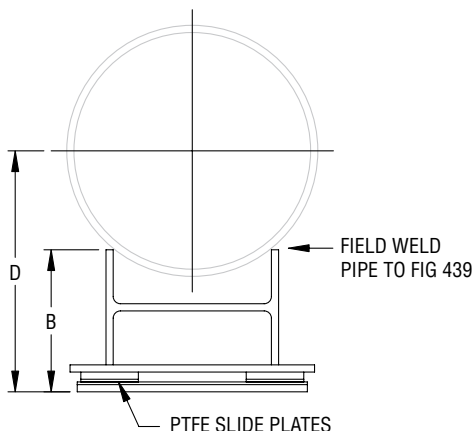


FIG. 439: DIMENSIONS (IN) • LOADS (LBS)

Pipe Size	B			D			Max Load					
	Type			Type			Down	Side Type 2, 3, 5	Up Type 3			
	1 & 4	2 & 5	3	1 & 4	2 & 5	3						
6	5	5 1/4	5 5/16	7 3/4	8	8	12,000	3,000	1,200			
8				8 3/4	9	9						
10	5 1/8	5 3/8	5 7/16	9 5/8	9 5/8	9 15/16				16,000	4,000	1,600
12				10 3/4	11	11 1/16						
14				10 7/8	11 1/8	11 3/16						
16				12 1/8	12 3/8	12 1/16						
18				12 5/8	12 7/8	12 15/16						
20	5 1/4	5 1/2	5 9/16	13 3/4	14	14 1/16	24,000	6,000	2,400			
24				15 5/8	15 5/8	15 15/16						
30				19 5/8	19 5/8	20 1/16						
36	6 7/16	6 13/16	6 3/4	23	23 3/4	23 7/16						

Note 1: With clamps; add material thickness of a Figure 212.

Note 2: With the Figure 432 special clamp, add the material thickness of Figure 432. See page 146.

Note 3: For bolted bases add 3/8" to B and D.

Fig. 439

Structural "H" Slide Assembly, Complete

Stanchions & Supports

Guides & Slides

Pipe Rolls & Saddles

Trapeze

Spring Hangers

Constant Supports

Vibration Control & Sway Brace

Sway Strut Assembly

Snubbers

Special Design Products

Seismic Braces

Seismic Restraints

Technical Data

Index

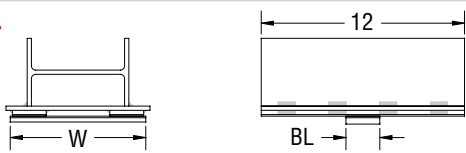
WELDED: DIMENSIONS (IN)						
Pipe Size	W Type				BL Type	
	1	2 & 3	4	5	1 & 4	2, 3, & 5
	6	5½	10	7½	10	2
8	10½			12½		
10	12½			14½		
12	14½			17		
14	16½	19	3			
16	18¼	21				
18	20¼	23				
20						
24						
30						
36						

BOLTED: DIMENSIONS (IN)				
Pipe Size	W Type 1 to 5	BL Type 1 to 5	Hole Spacing	
			C	G
6	10	6	8½	4½
8				
10	12½		11	
12				
14	14½		13	
16				
18	17		15½	
20				
24	19		17½	
30	21		19½	
36	23	21½		

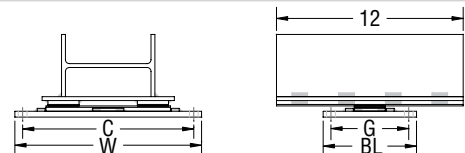
WELDED SCHEMATICS

BOLTED SCHEMATICS

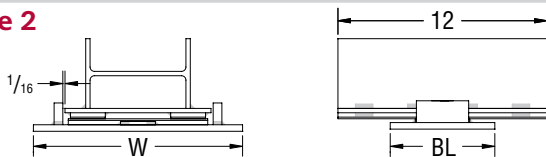
Type 1



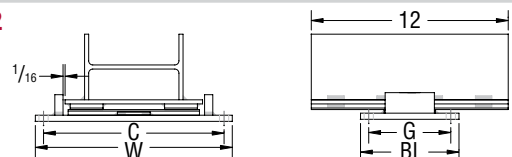
Type 1



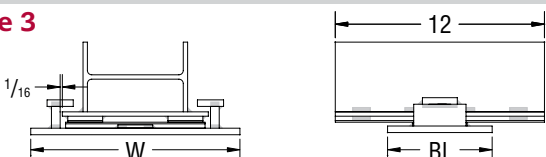
Type 2



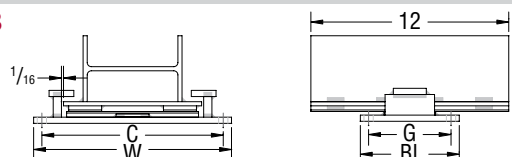
Type 2



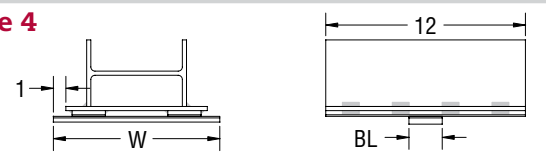
Type 3



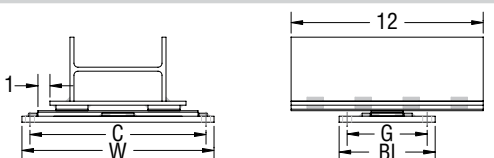
Type 3



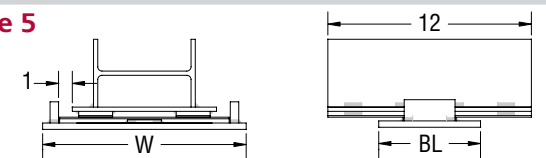
Type 4



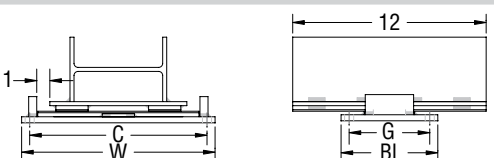
Type 4



Type 5



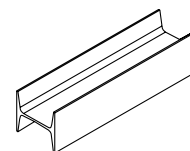
Type 5



Notes:

- Types 1, 2, and 3 provide for longitudinal movement only.
- Types 4 and 5 provide for both longitudinal and transverse movement of piping.

"H" Section Only



Options (for all types)

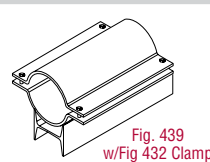
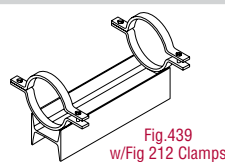


Fig. 432

Special Clamp

Size Range: 2" through 24"

Material: Carbon steel

Finish: Plain or Hot-Dip Galvanized with Zinc Plated Bolts & Nuts

Maximum Temperature: Plain 750° F, Galvanized 450° F

for carbon steel pipe only

Service: Used with and where pipe slides cannot be welded directly to pipe or copper tube. When used with fiberglass, plastic, or aluminum pipe, a thin protective liner should be inserted between the pipe and the clamp. Clamp is designed for use with Figure 257 and Figures 436 and 439 slides and tees.

Ordering: Specify figure number, pipe size, name and finish.

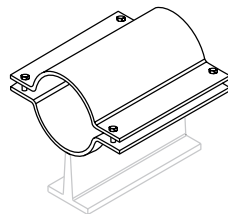


Fig. 257
w/Fig 432 Clamp

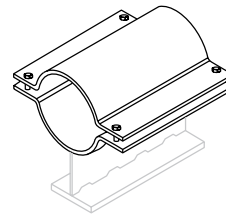


Fig. 436
w/Fig 432 Clamp

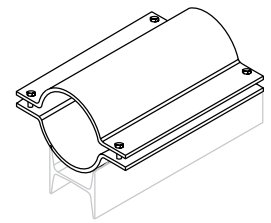


Fig. 439
w/Fig 432 Clamp

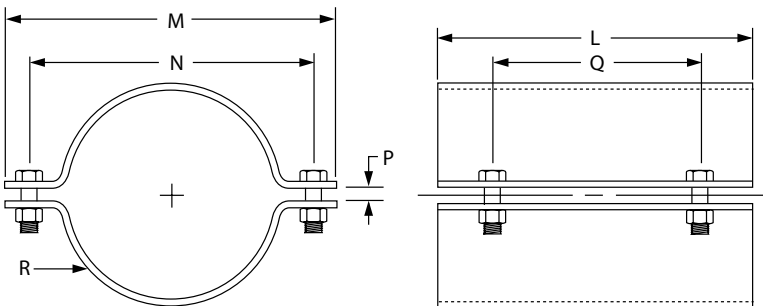


FIG. 432: DIMENSIONS (IN) • WEIGHT (LBS)

Pipe Size	L	M	N	P	Q	R Stock Size	Weight
2	6	5	4	1/4	4 1/2	1/8 x 6	2
2 1/2		5 1/2	4 1/2				3
3		6	5				3
3 1/2		6 1/2	5 1/2				4
4		7	6				4
5	8	8	7	3/8	6	3/16 x 8	5
6		9 5/8	8 1/2				12
8		11 5/8	10 1/2				15
10		13 3/4	12 5/8				18
12		15 3/4	14 5/8				21
14	12	17 7/8	16 1/2	1/2	8	1/4 x 12	41
16		19 7/8	18 1/2				46
18		21 7/8	20 1/2				52
20		23 7/8	22 1/2				57
24		28 1/8	26 5/8				67

Fig. 171: Pipe Roll

Single Pipe Roll

Size Range: 1" through 30"

Material: Cast iron roll and sockets, steel roll rod

Finish: Plain, Zinc Plated (Hot-Dip Galvanized optional) or Resilient Coated

Service: For suspension of pipe from two rods where longitudinal expansion and contraction may occur.

Approvals: Complies with Federal Specification A-A-1192A (Type 41), WW-H-171-E (Type 42), ANSI/MSS SP-69 and MSS SP-58 (Type 41).

Adjustment: Adjustable socket permits vertical adjustment at the roll.

Maximum Temperature: 400° F at roller, 300° F at resilient coated roller.

How to size:

- (1) If the roll is to support non-insulated pipe, select the size directly from nominal pipe size (column 1) in table below.
- (2) If used with pipe covering protection saddle, see page 154 for size of pipe roll.

Features:

- Provides for vertical adjustment; nut at bottom of hanger rod fits into the socket preventing loosening or turning due to vibration.
- Pipe roll is designed for two point surface contact with pipe or saddle.

Features: Advantages of pipe rollers with a protective resilient coated covering.

- Non conductive pipe rollers - prevent the passing of current from pipeline to structure.
- Corrosion resistant - for protection against severe weather conditions, moderate corrosive conditions such as marine atmospheres and weather resistant to ultra-violet radiation.
- Low coefficient of friction between pipe and resilient coated pipe roller.

Ordering:

- Specify pipe roll size.
- Order should include figure number, name and finish in all cases. Hanger rods and nuts to be ordered separately.
- Be certain to order oversized rolls when insulation and protection saddles makes this necessary.

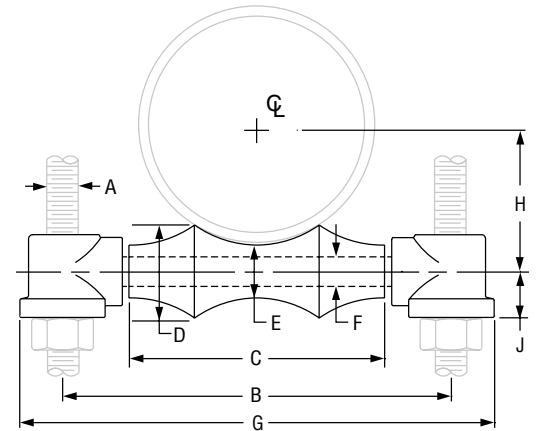


FIG. 171: DIMENSIONS (IN) • LOADS (LBS) • WEIGHT (LBS)

Pipe Size	Max O.D. Covering	Rod Size A	Max Load	Weight	G	B	C	D	E	F	H	J
1	2	3/8	600	0.45	4 1/8	3	1 1/2	1	3/4	3/8	1 1/16	9/16
1 1/4	2 1/2			0.48	4 1/2	3 3/8	1 7/8	1 1/16			1 1/4	
1 1/2	2 3/4			0.51	4 3/4	3 5/8	2 1/8	1 1/8			1 3/8	
2	3 1/4			0.57	5 1/4	4 1/8	2 5/8	1 3/16			1 5/8	
2 1/2	3 3/4	1/2	660	1.00	6 1/4	4 7/8	3 3/8	1 3/8	7/8	1/2	1 15/16	1 1/16
3	4 1/2		700	1.10	6 7/8	5 1/2	3 3/4	1 7/16			2 1/4	
3 1/2	5	5/8	750	1.40	7 1/2	6 1/8	4 1/4	1 5/8	1	1/2	2 9/16	3/4
4	5 1/2			1.70	8 1/4	6 7/8	4 3/4	1 3/4			2 13/16	
6	8 1/4	3/4	1,070	4.50	11 1/16	9 9/16	6 7/8	2 5/16	1 1/4	3/4	4	1
8	10 1/2		1,350	7.20	14 1/16	11 15/16	8 7/8	2 13/16			1 1/2	
10	12 3/4	7/8	2,400	9.50	16 3/16	14 1/16	11	3 3/8	1 3/4	1	6 3/8	1 1/4
12	14 3/4			15.90	17 15/16	15 13/16	12 1/2	3 7/8			2	
14	16 1/4	1	3,130	24.30	20 7/8	17 3/4	14 1/4	4 5/8	2 1/2	1 1/8	8 3/8	1 3/8
16	18			31.90	22 7/8	19 3/4	16 1/4	5			2 5/8	
18	20 1/4	1 1/4	4,200	35.50	24 1/2	21 7/8	18 1/4	5 7/16	2 3/4	1 1/4	10 1/2	1 1/2
20	22 1/2			47.00	27 1/4	24 1/4	20 1/4	6			3	
24	26 1/2	1 1/2	6,160	76.30	32 7/8	28 7/8	24 1/4	7 3/16	3 5/8	1 1/2	14	1 3/4
30	32 1/2			129.90	39	35 1/2	30 1/4	8 15/16			4 1/2	

DI/CI ROLL SIZING	
DI/CI Pipe Size	Fig. 171 Roller Size
3	4
4	5
6	6
8	8
10	10
12	14
14	16
16	18
18	20
20	24
24	30
30	No Recom.

Fig. 175

Roller Chair

Size Range: 2" through 30" pipe

Material: Cast iron roll, steel chair, roll rod, bolts and hex nuts

Finish: Plain, Hot-Dip Galvanized Chair with Zinc Plated Parts or Resilient Coated

Maximum Temperature: 400° F at roller, 300° F at resilient coated roller.

Service: For support of pipe where longitudinal movement due to expansion and contraction may occur, but where no vertical adjustment is required.

Approvals: Complies with Federal Specification A-A-1192A (Type 44), WW-H-171-E (Type 45), ANSI/MSS SP-69 and MSS SP-58 (Type 44).

Installation: Two bolts and nuts provide anchorage to floor or top of steel beam or bracket or chair may be welded to supporting steel.

Features: Advantages of pipe rollers with a protective resilient coated covering.

- Non conductive pipe rollers - prevent the passing of current from pipeline to structure.
- Corrosion resistant - for protection against severe weather conditions, moderate corrosive conditions such as marine atmospheres and weather resistant to ultra-violet radiation.
- Low coefficient of friction between pipe and resilient coated pipe roller.

How to size:

- (1) If roll is to support bare pipe, select the size directly from nominal pipe size (see below).
- (2) If used with pipe covering protection saddle, see page 154 for size of pipe roll.
- (3) If roll is to support covered pipe, the O.D. of the covering should not be greater than the O.D. of the pipe for which the roll was designed.

Ordering: Specify size of roll, figure number, name and finish. Be certain to order oversized rolls when insulation and protection saddles are required.

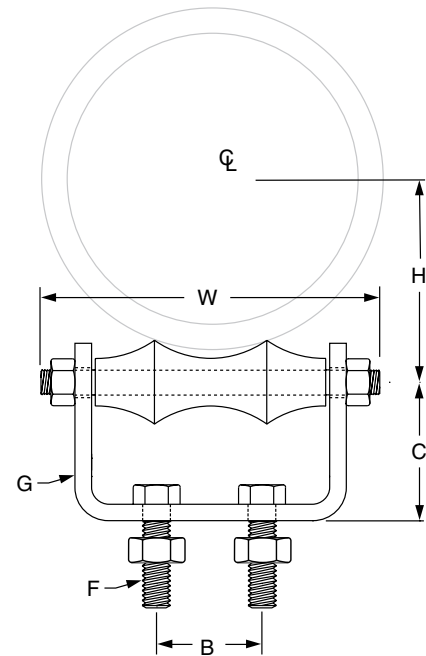


FIG. 175: DIMENSIONS (IN) • LOADS (LBS) • WEIGHT (LBS)								
Pipe Size	Max Load	Weight	W	B	C	F	G Width	H
2	600	1.1	4	1 1/4	1 1/2	3/8 x 1 1/2	1 1/4	1 5/8
2 1/2	660	1.4	4 7/8		1 5/8			
3	700	1.6	5 3/8	1 3/4				
3 1/2	750	2.6	6 1/8	2	2 1/16	1/2 x 1 1/2	1 1/2	2 9/16
4		2.9	6 5/8		2 5/16			2 3/16
5		3.7	7 7/8	3	2 1/2		3 7/16	
6	1,070	5.9	9 1/4	3 3/8	2 3/4		5/8 x 1 1/2	2
8	1,350	9.0	11 5/8	3 3/8	3	5 1/8		
10	1,730	13.8	14 3/8	5 1/4	3 5/8	5/8 x 2	2	6 3/8
12	2,400	18.9	16 1/8	5 1/2	4 1/8			7 7/16
14	3,130	28.07	18 3/4	6 1/2	4 1/16	3/4 x 2	2 1/2	8 3/8
16	3,970	34.93	21	8 1/4	5 3/8			9 3/8
18	4,200	44.35	23 1/8	9 1/4	6	3/4 x 2 1/2	3	10 7/16
20	4,550	56.34	24 5/8	10 1/4	6 1/2			11 5/8
24	6,160	87.52	29 3/8	12 1/4	7 7/8	7/8 x 3 1/2	4	14
30	7,290	151.25	34 13/16	15 3/8	8 3/4			6

DI/CI ROLL SIZING	
DI/CI Pipe Size	Fig. 175 Roller Size
3	4
4	5
6	6
8	8
10	10
12	14
14	16
16	18
18	20
20	24
24	30
30	No Recom.

Fig. 177

Adjustable Pipe Roll Support

Size Range: 1" through 30"

Material: Cast iron roll and sockets; steel roll rod, continuous thread rods and hex nuts

Finish: Plain, Zinc Plated (Hot-Dip Galvanized optional) or Resilient Coated

Service: For support of pipe where longitudinal movement due to expansion and contraction will occur and where vertical adjustment up to 6" may be necessary.

Maximum Temperature: 400° F at roller, 300° F at Resilient coated roller.

Approvals: Complies with Federal Specification A-A-1192A (Type 41), WW-H-171-E (Type 42), ANSI/MSS SP-69 and MSS SP-58 (Type 41).

Installation: Normally used directly above steel beams, brackets angles, etc.

Features: Advantages of pipe rollers with a protective resilient coated covering.

- Non conductive pipe rollers - prevent the passing of current from pipeline to structure.
- Corrosion resistant - for protection against severe weather conditions, moderate corrosive conditions such as marine atmospheres and weather resistant to ultra-violet radiation.
- Low coefficient of friction between pipe and resilient coated pipe roller.

How to size:

- (1) If roll is to support bare pipe, select the size directly from nominal pipe size (see below).
- (2) If used with pipe covering protection saddle, see page 154 for size of pipe roll.
- (3) If roll is to support covered pipe, the O.D. of the covering should not be greater than the O.D. of the pipe for which the roll was designed.

Ordering: Specify size of roll, figure number and name. Be certain to order oversized rolls when insulation and protection saddles makes this necessary.

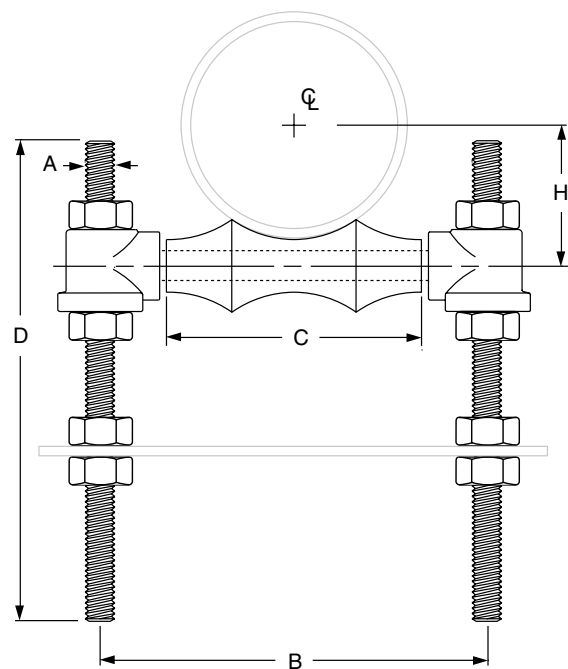
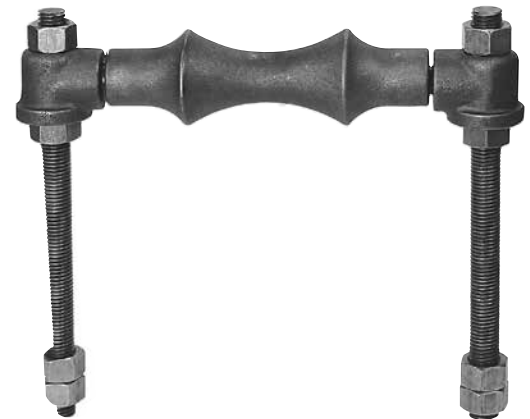


FIG. 177: DIMENSIONS (IN) • WEIGHT (LBS)

Pipe Size	Weight	A	B	C	D	H
1	1.1	3/8	3	1 1/2	12	1 1/16
1 1/4	1.2		3 3/8	1 7/8		1 1/4
1 1/2	1.2		3 5/8	2 1/8		1 3/8
2	1.3		4 1/8	2 5/8		1 5/8
2 1/2	2.3	1/2	4 7/8	3 3/8		1 15/16
3	2.4		5 1/2	3 3/4		2 1/4
3 1/2	2.7		6 1/8	4 1/4		2 9/16
4	3.8		6 7/8	4 3/4		2 13/16
5	4.7	5/8	8 1/16	5 13/16		3 3/16
6	7.6		9 9/16	6 7/8		4
8	11.0	3/4	11 15/16	8 7/8		5 5/8
10	13.7		14 1/16	11		6 3/8
12	19.4	7/8	15 13/16	12 1/2	7 7/16	
14	31.2		17 3/4	14 1/4	8 3/8	
16	42.5	1	19 3/4	16 1/4	9 7/16	
18	46.6		21 7/8	18 1/4	10 1/2	
20	66.2	1 1/4	24 1/4	20 1/4	11 5/8	
24	102.5		28 7/8	24 1/4	14	
30	186.8	1 1/2	35 1/2	30 1/4	24	17 7/16

DI/CI ROLL SIZING

DI/CI Pipe Size	Fig. 177 Roller Size
3	4
4	5
6	6
8	8
10	10
12	14
14	16
16	18
18	20
20	24
24	30
30	No Recom.

Fig. 178

Spring Cushion Hanger

Material: Spring cushion hanger Fig. 178 consists of a set of two springs and four cast iron retainers only.

Finish: Retainers: Plain or Hot-Dip Galvanized, Springs: Painted

Service: Generally used with Fig. 171 single pipe roll as shown in above photo. Recommended for installations where formal load and movement calculations are not required, or calculated movement does not exceed 1/4".

Maximum Temperature: 400° F at roller

Approvals: Complies with Federal Specification A-A-1192A (Type 49), WW-H-171-E (Type 50), ANSI/MSS SP-69 and MSS SP-58 (Type 49).

Ordering: Specify figure number, name and rod size. If used with Fig. 171 single pipe roll, pipe roll must be ordered separately.

The retainers are casted to the dimensions as shown, but center hole can be drilled or reamed larger to satisfy the hanger rod required, up to the max rod size.

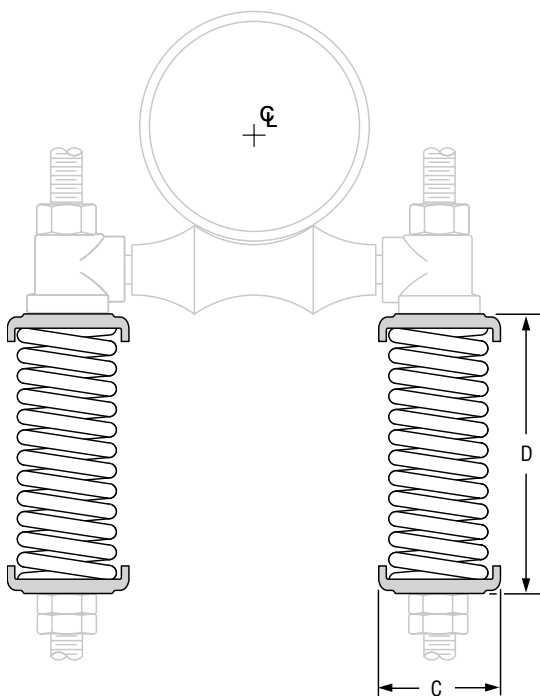
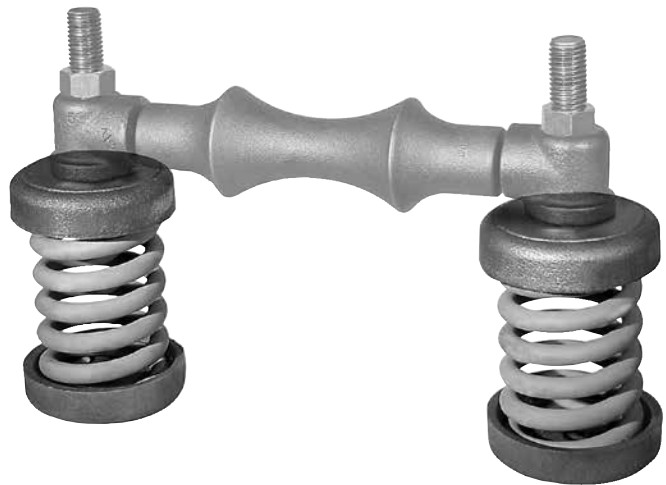


FIG. 178: DIMENSIONS (IN) • LOADS (LBS) • WEIGHT (LBS)

Spring No.	Max Spring Deflection *	Load at Max Deflection ■	Deflection Rate of Hanger (lbs / inch)	Weight	C	D	Core Hole Dia.	For Rod Size	Max Rod Size **
1	1/4	535	428	4.5	2 ² / ₃₂	6 ⁷ / ₁₆	7 ¹ / ₁₆	3/8	3/4
2		1,500	1,200	14.0	4 ¹ / ₈	6 ¹ / ₁₆	9 ¹ / ₁₆	1/2	
3		3,000	2,400	22.0	4 ¹ / ₈	9 ¹ / ₁₆	15 ¹ / ₁₆	7/8	1 1/2

* At maximum recommended deflection, spring can be compressed an additional 1/4" before becoming solid.

■ Maximum capacity of double spring hanger.

** Can be drilled to max. rod size.

Fig. 181

Adjustable Steel Yoke Pipe Roll

Size Range: 2 1/2" through 24"

Material: Cast iron roll; carbon steel yoke, roll rod and hex nuts

Finish: Plain, Hot-Dip Galvanized Yoke with Zinc Plated Parts or Resilient Coated

Service: For suspension of pipe from a single rod where longitudinal movement may occur because of expansion or contraction.

Maximum Temperature: 400° F at roller, 300° F at resilient coated roller.

Approvals: Complies with Federal Specification A-A-1192A (Type 43), WW-H-171-E (Type 44), ANSI/MSS SP-69 and MSS SP-58 (Type 43).

Features: Advantages of pipe rollers with a protective resilient coated covering.

- Non conductive pipe rollers - prevent the passing of current from pipeline to structure.
- Corrosion resistant - for protection against severe weather conditions, moderate corrosive conditions such as marine atmospheres and weather resistant to ultra-violet radiation.
- Low coefficient of friction between pipe and resilient coated pipe roller.

How to size: If the roll is to support bare pipe, select the size directly from nominal pipe size (see below). If used with pipe covering protection saddle, see page 154 for size of pipe roll to be used.

Ordering: Specify pipe roll size, figure number, name and finish. Be certain to order oversized rolls when insulation and protection saddles are required.

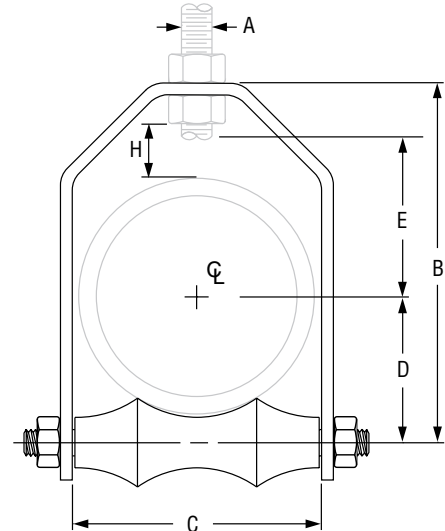


FIG. 181: DIMENSIONS (IN) • LOADS (LBS) • WEIGHT (LBS)

Pipe Size	Max O.D. of Covering	Max Load	Weight	Rod Size A	B	C	D	Rod Take Out - E	H
2 1/2	3	225	1.7	1/2	5 3/4	3 1/4	1 15/16	2 7/8	1 11/16
3	3 5/8	310	2.2		6 3/8	3 7/8	2 1/4	3 3/8	1 5/8
3 1/2	4 1/8	390	2.5		7	4 3/8	2 9/16	3 1/2	1 11/16
4	4 1/16	475	3.2	5/8	7 9/16	4 15/16	2 13/16	3 5/8	1 5/8
5	5 3/4	685	6.3		9 1/8	6	3 7/16	4 1/2	1 15/16
6	6 3/8	780	9.3	3/4	10 5/16	7 1/8	4	5	1 7/8
8	9		14.5		12 11/16	9 1/4	5 1/8	6 1/8	2
10	11	965	18.8	7/8	15 1/16	11 1/4	6 3/8	7 1/4	2 1/16
12	13		27.7		17 7/16	13 3/4	7 7/16	8 3/8	2 1/4
14	14 1/4	1,200	39.1	1	18 7/8	14 1/2	8 3/8	8 3/4	2
16	16 1/4		49.1		20 13/16	16 1/2	9 3/8	9 11/16	1 15/16
18	18 1/4	1,400	57.8	1 1/4	23 3/4	18 1/2	10 7/16	11 7/16	2 13/16
20	20 1/4	1,600	75.9		26	20 1/2	11 5/8	12 1/4	2 1/2
24	24 1/4	1,800	119.3	1 1/2	32 5/16	24 5/8	13 15/16	15 3/4	4 3/8

DI/CI ROLL SIZING

DI/CI Pipe Size	Fig. 181 Roller Size
3	4
4	5
6	6
8	8
10	10
12	14
14	16
16	18
18	20
20	24

Fig. 271: Complete

Pipe Roll Stand

Size Range: 2" through 42"

Material: Cast iron roll and stand

Finish: Plain, Zinc Plated (Hot-Dip Galvanized optional) or Resilient Coated

Service: For support of pipe where longitudinal movement due to expansion and contraction may occur but where no vertical adjustment is required.

Maximum Temperature: 400° F at roller, 300° F at resilient coated roller.

Approvals: Complies with Federal Specification A-A-1192A (Type 44), WW-H-171-E (Type 45), ANSI/MSS SP-69 and MSS SP-58 (Type 44).

Installation:

- (1) Two cored holes for anchorage bolts are provided on all sizes for fastening stands to structural supports, piers, floors, etc.
- (2) In addition, cored holes "N" at the four corners of the stand are provided for anchorage purposes.
- (3) The two cored holes on sizes 2" to 6" are on outside of stand (see dotted lines and dimension J').
- (4) On all other sizes, the holes are inside of uprights (see dimension J).

Features: Advantages of pipe rollers with a protective resilient coated covering.

- Non conductive pipe rollers - prevent the passing of current from pipeline to structure.
- Corrosion resistant - for protection against severe weather conditions, moderate corrosive conditions such as marine atmospheres and weather resistant to ultra-violet radiation.
- Low coefficient of friction between pipe and resilient coated pipe roller.

How to size:

- If roll is to support bare pipe, select the size directly from nominal pipe size (see below).
- If used with pipe covering protection saddle, see page 154 for size of pipe roll.

Ordering: Specify pipe roll size, figure number, name and finish. Be certain to order oversized rolls when insulation and protection saddle are required.

Note: Refer to Fig. 75 SD and 76 SD for additional pipe roll designs.

Standard line of carbon steel base plates available.

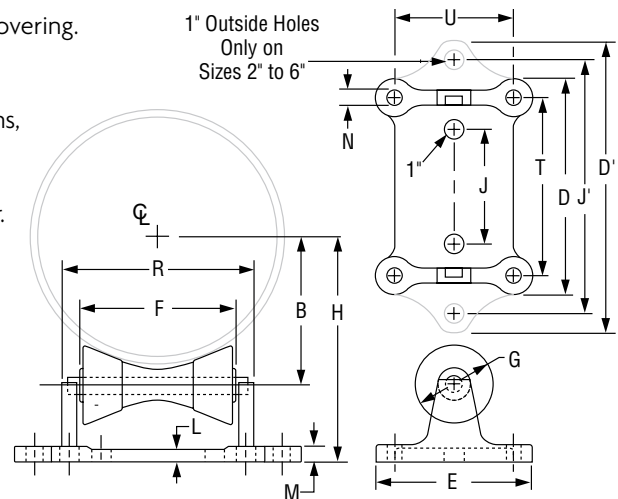


FIG. 271: DIMENSIONS (IN) • WEIGHT (LBS) • LOADS (LBS)																		
Pipe Size	Max Load	Weight	H	B	D	D'	E	F	G	J	J'	L	M	N	R	T	U	
2	390	6.4	3½	1¾	—	8¾	5¾	2¾	1⅞	—	6¾	⅞	11/16	½	4	37/16	4	
2½			3⅞	2½	—					—								
3			4⅞	2¾	—					—								
3½			4¾	2⅝	—					—								
4	950	8.9	4 ¹³ / ₁₆	2¾	—	9⅞	5⅝	3¾	2 ¹ / ₁₆	—	7⅞	¾	7/8	5/8	4 ¹ / ₁₆	4¼	4¼	
5			5 ¹ / ₁₆	3⅞	—					—								
6			6 ¹ / ₁₆	4	—					—								
8	2,100	15.3	8 ¹¹ / ₁₆	5¼	8¾	—	6¾	6	3¼	4	—	¾	7/8	5/8	7¾	7	5	
10			9 ¹ / ₁₆	6¾						—								—
12	3,075	28.1	11¾	7½	10 ¹⁵ / ₁₆	—	7⅞	8	4	5¾	—	¾	7/8	¾	9⅞	9 ¹ / ₁₆	6	
14			12	8½						—								—
16			13¾	9¾						—								—
18			14¾	10¾						12¾								—
20	15¾	11¾	—	—														
24	6,100	49.6	17¾	13¾	13½	—	10	4 ⁷ / ₁₆	7½	—	1	1⅞	—	12½	11¾	8		
30	7,500	99.3	21⅞	16¾	17	—	10¾	12½	5½	10	—	1¼	1½	1½	15¾		14¼	
36	12,000	152.0	25¾	20	20	—	12	15	6¾	12	—	1½	1¾	1⅝	18¾	17	9	
42			28¾	23¾	—	—	—	—	—	—	—	—	—	—	—	—	—	—

DI/CI ROLL SIZING	
DI/CI Pipe Size	Fig. 271 Roller Size
3	4
4	5
6	6
8	8
10	10
12	14
14	16
16	18
18	20
20	24
24	30
30	N/A

Fig. 274: with Base Plate
Fig. 275: without Base Plate
Fig. 274P: Cast Iron Base Plate only

Adjustable Pipe Roll Stand

Size Range: 2" through 42"

Material: Cast iron base plate, stand roll; steel adjusting screws

Finish: Plain, Zinc Plated (Hot-Dip Galvanized optional) or Resilient Coated

Service: For support of pipe lines where longitudinal movement due to expansion and contraction may occur and where vertical and lateral adjustment during installation may be required.

Maximum Temperature: 400° F at roller, 300° F resilient coated roller.

Approvals: Complies with Federal Specification A-A-1192A (Type 46), WW-H-171-E (Type 47), ANSI/MSS SP-69 and MSS SP-58 (Type 46).

Installation: Base plate is provided with two holes for anchorage to floor, pier, structural support and similar constructions, as well as to welded steel brackets Fig. 195 page 89 and Fig. 199, page 90. Adjustable pipe roll stand *without base plate*, Fig. 275, can be used for supporting tunnel piping, etc., by resting ends of adjusting screws on structural steel angles, channels, etc.

Adjustment: Vertical adjustment is obtained by use of the four adjusting screws located on corners of stand. Lateral adjustment is secured by stand sliding on each of adjusting screws.

Features: Advantages of pipe rollers with a protective resilient coated covering.

- Non conductive pipe rollers - prevent the passing of current from pipeline to structure.
- Corrosion resistant - for protection against severe weather conditions, moderate corrosive conditions such as marine atmospheres and weather resistant to ultra-violet radiation.
- Low coefficient of friction between pipe and resilient coated pipe roller.

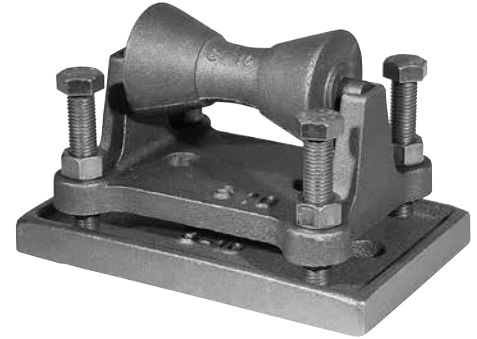
How to size:

- (1) If roll is to support bare pipe, select the size directly from nominal pipe size (see below).
- (2) If used with pipe covering protection saddle, see page 154 for size of pipe roll.

Ordering: Specify pipe roll size, figure number, name and finish. For further dimensions of stand, see Fig. 271, page 150. Be certain to order oversized rolls when insulation and protection saddles are required.

Note: Refer to Fig. 75 SD and 76 SD for additional pipe roll designs.

Standard line of carbon steel base plates available.



See Fig. 271 for Additional Dimensions

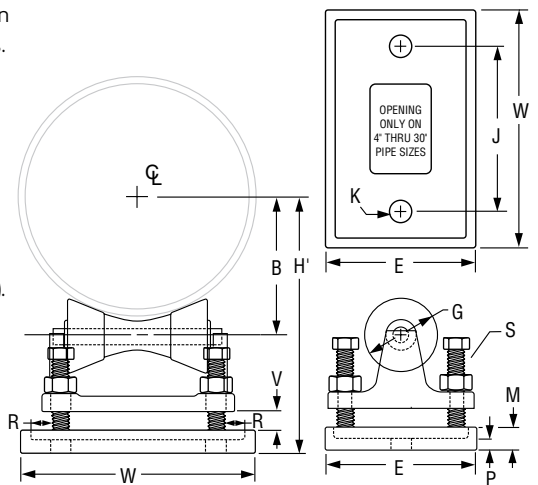


FIG. 274, 275, 274P: DIMENSIONS (IN)

Pipe Size	Max Load	Weight			H' Min	H' Max	E	J	K	V Max	M	P	R	S	W
		Fig. 274	Fig. 275	Fig. 274P											
2	390	15.2	7.8	7.4	5 1/8	5 3/8	5 1/2	3 3/8	1	7/8	1	3/4	1	3/4	6 7/8
2 1/2					5 3/8	5 5/8									
3					5 3/4	6									
3 1/2					6	6 1/4									
4	950	19.3	10.3	9.0	6 1/2	7	5 3/4	5 1/8	1	1 1/8	1	3/4	1	3/4	8 1/8
5					7	7 1/2									
6					7 5/8	8 1/8									
8	2,100	32.1	18.1	14.0	10 3/8	11 1/8	6 3/4	7 3/8	1	1 3/4	1 1/8	1 1/16	1	7/8	10 5/8
10					11 1/2	12 3/4									
12					13	14 1/4									
14	3,075	51.2	32.1	19.1	13 3/8	14 3/8	8	9 1/2	1	1 3/4	1 1/8	3/4	1	7/8	13
16					15 1/4	16 3/8									
18					16 3/8	17 3/4									
20	4,980	71.3	45.3	26.0	17 3/8	18 3/4	8 5/8	11 1/8	1	1 7/8	1 1/4	7/8	1 1/16	1	14 5/8
24					19 5/8	21									
30					24	26 3/4									
36	12,000	304.0	176.0	128.0	28 3/8	31 3/4	10 1/2	15 3/4	1	3 1/4	1 5/8	1 1/4	1 3/8	1 1/4	19 1/4
42					31 1/2	34 3/8									

DI/CI ROLL SIZING	
DI/CI Pipe Size	Fig. 274 Roller Size
3	4
4	5
6	6
8	8
10	10
12	14
14	16
16	18
18	20
20	24
24	30
30	N/A

Fig. 277: with Cast Iron Base Plate

Pipe Roll and Base Plate

Size Range: 2" through 24"

Material: Cast iron roll and plate

Finish: Plain, Zinc Plated (Hot-Dip Galvanized optional) or Resilient Coated

Service: For support of pipe where small longitudinal movement due to expansion and contraction may occur and where no vertical adjustment is required.

Maximum Temperature: 400° F at roller, 300° F at resilient coated roller.

Approvals: Complies with Federal Specification A-A-1192A (Type 45) WW-H-171-E (Type 46), ANSI/MSS SP-69 and MSS SP-58 (Type 45).

Installation: Consist of sitting the unit in place. Weight of pipe and material hold unit in place.

How to size:

- (1) If roll is to support bare pipe, select the size directly from nominal pipe size (see below).
- (2) If used with pipe covering protection saddle, see page 154 for size of pipe roll.

Features: An economical, practical means of supporting pipe with limited horizontal movement due to expansion and contraction.

Features: Advantages of pipe rollers with a protective resilient coated covering.

- Non conductive pipe rollers - prevent the passing of current from pipeline to structure.
- Corrosion resistant - for protection against severe weather conditions, moderate corrosive conditions such as marine atmospheres and weather resistant to ultra-violet radiation.
- Low coefficient of friction between pipe and resilient coated pipe roller.

Ordering: Specify pipe roll size, figure number, name and finish.

Be certain to order oversized rolls when insulation and protection saddles are required.

Note: Fabricated carbon steel base plates for extended travel are available upon request. Refer to Fig. 75 SD and 76 SD for additional pipe roll designs.

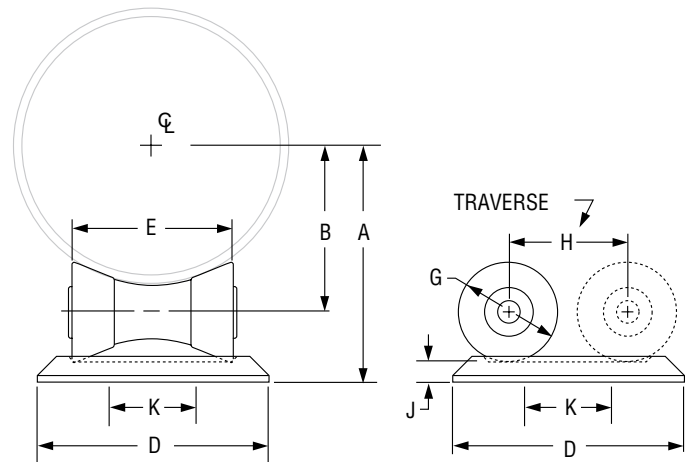


FIG. 277: DIMENSIONS (IN) • LOADS (LBS) • WEIGHT (LBS)

Pipe Size	Max Load	Weight	A	B	D	E	G	H	J	K
2	390	4.0	3 ³ / ₄	1 ³ / ₄	4 ³ / ₄	2 ⁵ / ₈	1 ⁷ / ₈	1 ³ / ₄	1/2	
2 ¹ / ₂			3 ¹ / ₂	2 ¹ / ₈						
3			3 ¹³ / ₁₆	2 ³ / ₈						
3 ¹ / ₂			4 ¹ / ₁₆	2 ⁵ / ₈						
4	950	5.6	4 ⁵ / ₁₆	2 ³ / ₄	5 ³ / ₄	3 ⁵ / ₈	2 ¹ / ₁₆	2 ⁵ / ₈	1/2	1 ¹ / ₂
5			4 ¹⁵ / ₁₆	3 ³ / ₈						
6			5 ¹ / ₂	4						
8	2,100	15.3	7 ⁹ / ₁₆	5 ¹ / ₄	8 ¹ / ₄	5 ⁵ / ₈	3 ¹ / ₄	4	1 ¹ / ₁₆	2 ¹ / ₂
10			8 ¹¹ / ₁₆	6 ³ / ₈						
12	3,075	27.9	10 ¹ / ₄	7 ¹ / ₂	10 ³ / ₄	7 ⁵ / ₈	4	5 ⁵ / ₈	3/4	4
14			10 ⁷ / ₈	8 ¹ / ₈						
16	4,980	43.7	12 ³ / ₈	9 ³ / ₈	12	8 ¹ / ₂	4 ¹ / ₂	6 ³ / ₈	7/8	5
18			13 ¹ / ₂	10 ⁵ / ₈						
20			14 ¹ / ₂	11 ¹ / ₈						
24	6,100	51.5	16 ⁵ / ₈	13 ³ / ₈	13 ³ / ₄	9 ¹ / ₂	4 ⁷ / ₁₆	7 ⁵ / ₈	1	5 ³ / ₄

DI/CI ROLL SIZING

DI/CI Pipe Size	Fig. 277 Roller Size
3	4
4	5
6	6
8	8
10	10
12	14
14	16
16	18
18	20
20	24

Fig. 76CP

Non-Conductive Roller

Description: Fabricated roller for large diameter pipe requiring isolation due to cathodic protection. Ten standard sizes for pipe of 30" - 72" and loads up to 60,000 lbs. Smaller sizes are available upon request. The base can be bolted or welded to the support structure. Alternative attachment configurations are available upon request. Contact Anvil EPS division 1-855-EPS-PIPE for further information and how to order.

Installation: The two piece fabricated roller is designed for one of the two rollers on each side of the assembly to be in contact with the pipe. Patent pending technology in the rollers isolate the pipe from the assembly. Used for piping cathodic protection.

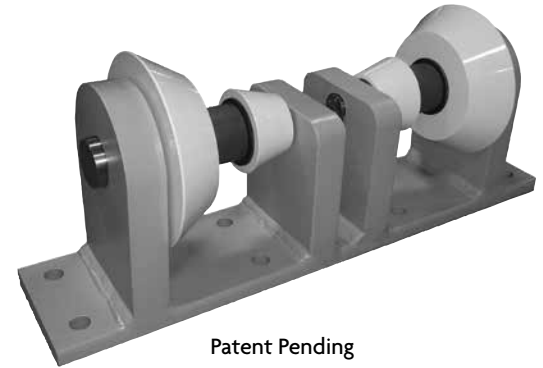


FIG. 76CP: DIMENSIONS (IN) • LOADS (LBS)

Steel Pipe Size	Max Load	A	B	C	D	E
30	60,000	23 ¹ / ₈	13 ⁵ / ₈	8 ³ / ₁₆	8 ¹⁵ / ₁₆	0
36		26			9 ¹⁵ / ₁₆	1
42		28 ⁷ / ₈			10 ¹⁵ / ₁₆	2
46		30 ³ / ₄			11 ¹¹ / ₁₆	2 ³ / ₄
46	60,000	31 ³ / ₁₆	16 ¹ / ₄	10 ¹³ / ₁₆	13	1 ⁷ / ₁₆
48		32 ¹ / ₁₆			13 ⁷ / ₁₆	1 ³ / ₄
54		34 ¹⁵ / ₁₆			14 ¹ / ₂	2 ¹⁵ / ₁₆
60		37 ¹ / ₁₆			15 ¹¹ / ₁₆	4 ¹ / ₈
66		40 ⁹ / ₁₆			16 ³ / ₄	5 ³ / ₁₆
72		43 ³ / ₈			17 ¹³ / ₁₆	6 ¹ / ₄

FIG. 76CP: DIMENSIONS (IN) • LOADS (LBS)

C.I./D.I. Pipe Size	Max Load	A	B	C	D	E
30	60,000	24 ³ / ₁₆	13 ⁵ / ₈	8 ³ / ₁₆	9 ¹ / ₄	7 ¹ / ₁₆
36		27 ³ / ₁₆			10 ³ / ₈	1 ⁹ / ₁₆
42		30 ¹ / ₈			11 ¹ / ₂	2 ⁹ / ₁₆
48	60,000	33 ¹ / ₂	16 ¹ / ₄	10 ¹³ / ₁₆	13 ³ / ₄	2 ³ / ₁₆

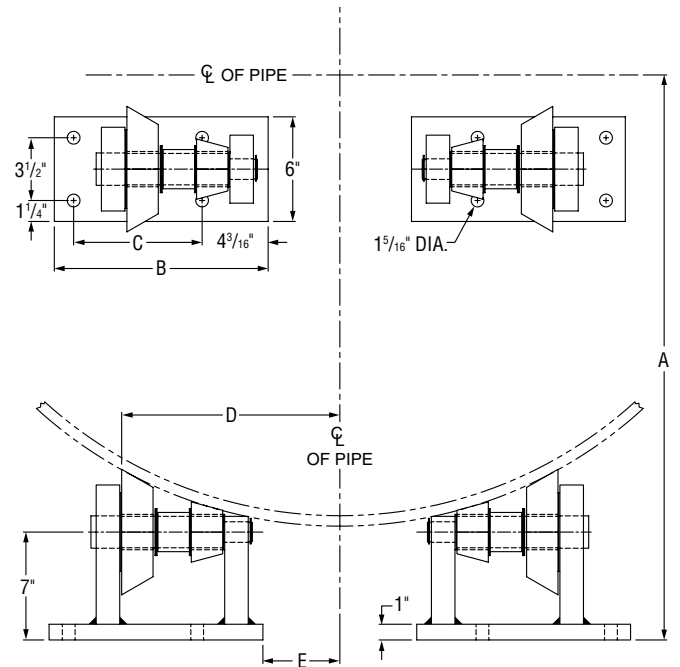
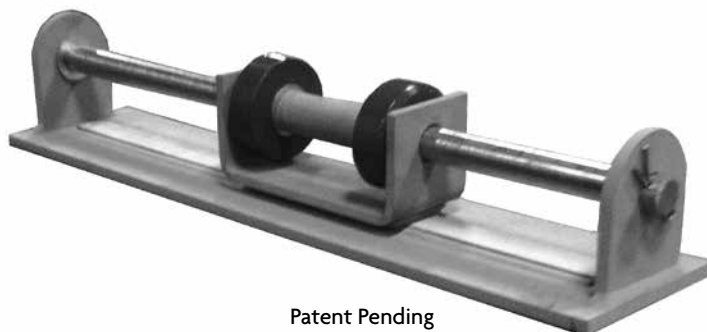


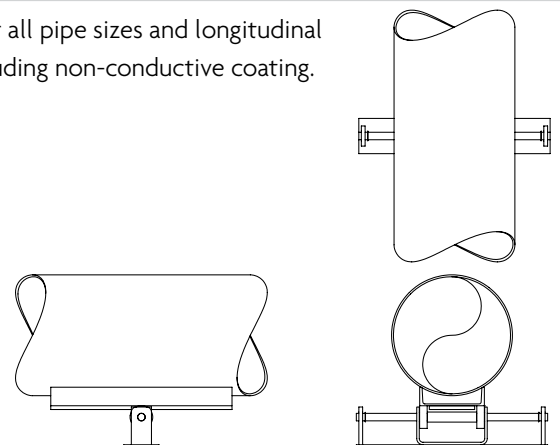
Fig. 75LL

Longitudinal & Lateral Roller

Description: This product is a special design per customer requirements. For all pipe sizes and longitudinal and lateral movements. Available in plain, galvanized and resilient finish including non-conductive coating.



Patent Pending



Pipe Covering Protection Saddle For Nominal Thickness of Covering Shown

Fig. 160: 1"

Fig. 163: 2½"

Fig. 165A: 4" (Alloy)

Fig. 161: 1½"

Fig. 164: 3"

Fig. 166A: 5½" (Alloy)

Fig. 162: 2"

Fig. 165: 4"

Size Range: ¾" through 36"

Material:

- Figs. 160, 161, 162, 163, 164, and 165 are curved carbon steel plate.
- Figs. 165A and 166A are alloy steel manufactured from ASTM A 387 Grade 22 Chrome Molybdenum steel plate.
- Figs. 165A and 166A have a welded-in center plate in all sizes.
- All other saddles have a welded-in center plate for pipe sizes 12" and larger.
- All saddles are 12" long with side edges turned up.

Finish: Plain

Service: Designed for use on insulated high temperature systems where heat losses are to be kept to a minimum and to protect insulation against damage.

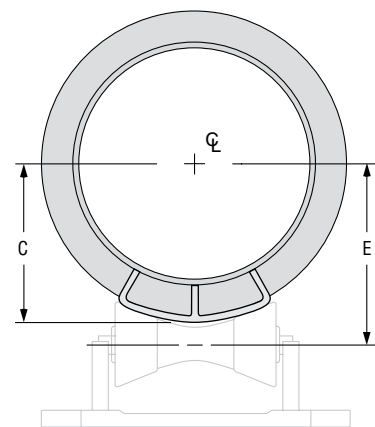
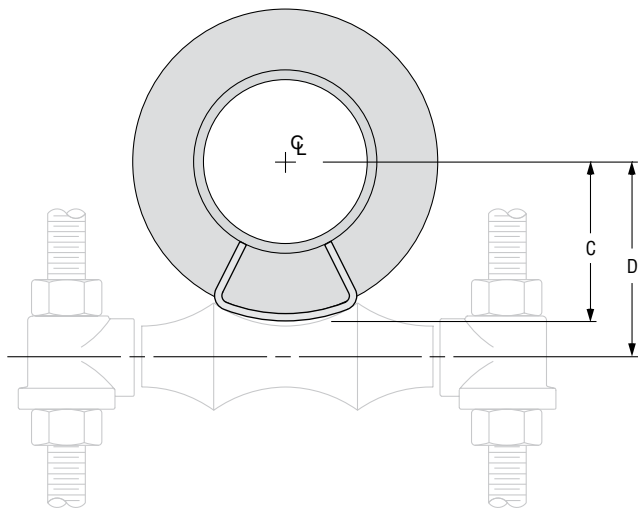
Maximum Temperature: 650° F carbon steel, 950° F alloy steel.

Approvals: Complies with Federal Specification A-A-1192A (Type 39A & 39B), WW-H-171-E (Type 40A & 40B), ANSI/MSS SP-69 and MSS SP-58 (Type 39A & 39B).

Features: Permits finished, weather tight covering at all points of pipe support.

Ordering: Specify pipe size, figure number and name. Data for 42" size available on request.

Installation: It is recommended that saddle be welded to the pipe.



Continued on Following Page.

Fig. 160 to Fig 166A

Pipe Covering Protection Saddle (cont.)

FIG. 160, 161, 162, 163, 164, 165, 165A, 166A: DIMENSIONS (IN) • LOADS (LBS) • WEIGHT (LBS)

Pipe Size	Fig. No.	Max Load ■	Weight	Size of Pipe Roll			Center Line of Pipe to Outside of Saddle C	Center Line of Pipe to Center Line of Roll		
				Figs. 171, 175, 177	Figs. 174, 181	Figs. 271, 274, 277		D		E
								Figs. 171, 175, 177	Fig. 181	Figs. 271, 274, 277
¾	160•	1,200	1.4	2	2½	2-3½	1⅝	2¼	2½	2¼
	161•		2.1	3	3½		2⅜	2¾	2¾	2⅞
	162•		2.8	4	5		2⅞	3⅞	3⅞	3⅞
1	160•	1,200	1.4	2½	3	2-3½	1⅜	2⅞	2¼	2⅞
	161•		2.1	3	4		2⅞	2⅞	2⅞	3
	162•		2.8	4	5		2⅞	3½	3½	3½
1¼	160	1,200	1.4	2½	3	2-3½	1⅝	2½	2⅞	2⅞
	161•		2.1	3½	5		2⅞	3⅞	3⅞	3⅞
	162•		2.8	4			3	3⅞	3⅞	3⅞
	163•		3.6	5	6	4-6	3¾	4⅞	4⅞	4⅞
1½	160	1,200	1.5	3	3½	2-3½	2⅞	2⅞	2⅞	2⅞
	161•		2.1	3½	5		2⅞	3¼	3¼	3⅞
	162•		3.2	5	6	4-6	3⅞	4	4	3⅞
	163•		3.6	6	8		3⅞	4½	4⅞	4½
2	160	1,200	1.7	3½	4	2-3½	2⅞	3	2⅞	3⅞
	161•		2.3	4	5		2⅞	3½	3½	3⅞
	162•		3.2	5	6	4-6	3⅞	4¼	4¼	4⅞
	163•		3.6	6	8		4⅞	4¾	4⅞	4¾
	164•		4.5	8			4⅞	5⅞	5⅞	5¼
2½	160	1,200	1.7	3½	5	2-3½	2⅞	3¼	3¼	3⅞
	161		2.8	5	6		3⅞	4	4	3⅞
	162		3.2	6	8	4-6	3⅞	4½	4⅞	4½
	163		4.1	8			4¼	5⅞	5⅞	5
	164		4.5				10	4⅞	5⅞	5¼
3	160	1,200	1.9	4	5	2-3½	2⅞	3½	3½	3⅞
	161		2.8	5	6		3⅞	4⅞	4⅞	4¼
	162		3.6	6	8	4-6	4⅞	4⅞	4⅞	4⅞
	163		4.1	8			4⅞	5⅞	5⅞	5⅞
	164		4.9				10	8-10	5⅞	6
3½	160	1,200	2.3	5	6	2-3½	3⅞	4	4	3⅞
	161		3.2	6	8		4-6	3⅞	4⅞	4⅞
	162		3.6	8		4⅞		5⅞	5⅞	5
	163		4.5			10		4⅞	5⅞	5⅞
	164		4.9	10	8-10		5⅞	6⅞	6⅞	6⅞
4	160	1,200	2.3	5	6	4-6	3⅞	4¼	4¼	4⅞
	161		3.2	6	8		4⅞	4⅞	4⅞	4¾
	162		3.6	8			4⅞	5⅞	5⅞	5¼
	163		4.5		10	10	5	5⅞	5⅞	6
	164		4.9	10			12	5⅞	6⅞	6⅞
	165		6.1		10	12		6½	7⅞	7⅞
	165A	11.6	10	12			6½	7⅞	7⅞	7⅞
166A	15.7	14			16	8⅞	9⅞	9½	9⅞	

- Maximum recommended loads are applicable only when saddle is used on a flat bearing surface or roller hangers and tack welded to pipe. When saddle is used with a pipe roll, the maximum load for the assembly is the smaller of the two loads.
- Saddles may require notching when used with a U-bolt.

Continued on Following Page.



PIPE ROLLS & SADDLES

Fig. 160 to Fig 166A

Pipe Covering Protection Saddle (cont.)

FIG. 160, 161, 162, 163, 164, 165, 165A, 166A: DIMENSIONS (IN) • LOADS (LBS) • WEIGHT (LBS)										
Pipe Size	Fig. No.	Max Load ■	Weight	Size of Pipe Roll			Center Line of Pipe to Outside of Saddle C	Center Line of Pipe to Center Line of Roll		
				Figs. 171, 175, 177	Figs. 174, 181	Figs. 271, 274, 277		D		E
								Figs. 171, 175, 177	Fig. 181	Figs. 271, 274, 277
5	160	1,200	2.3	6	8	4-6	4 ¹ / ₈	4 ¹³ / ₁₆	4 ¹³ / ₁₆	4 ³ / ₄
	161		3.2	8			4 ¹¹ / ₁₆	5 ¹ / ₂	5 ¹ / ₂	5 ³ / ₈
	162		3.6	10	10	8-10	5 ³ / ₁₆	6	6 ¹ / ₁₆	6 ¹ / ₈
	163		4.5				5 ⁵ / ₈	6 ⁹ / ₁₆	6 ⁹ / ₁₆	6 ⁵ / ₈
	164		4.9	10	12	6 ³ / ₁₆	7 ¹ / ₈	7 ¹ / ₄	7 ¹ / ₄	
	165		6.1	12	14	12-14	7 ¹ / ₈	8 ³ / ₁₆	8 ³ / ₈	8 ³ / ₁₆
	165A	11.6	8 ¹ / ₈				8 ³ / ₈	8 ³ / ₁₆		
	166A	15.7	16	18	8 ¹ / ₁₆	10 ¹ / ₁₆	10 ¹ / ₁₆	9 ⁷ / ₈		
6	160	1,800	3.8	8	8	4-6	4 ¹ / ₂	5 ³ / ₈	5 ³ / ₈	5 ¹ / ₄
	161		4.4				10	8-10	5 ¹ / ₁₆	5 ³ / ₈
	162		5.7	10	10	8-10	5 ¹ / ₂	6 ⁷ / ₁₆	6 ⁷ / ₁₆	6 ¹ / ₂
	163		6.5				12	6 ³ / ₁₆	7 ¹ / ₈	7 ³ / ₁₆
	164		7.7	12	12	6 ⁹ / ₁₆	7 ⁵ / ₈	7 ⁵ / ₈	7 ⁵ / ₈	
	165		10.2	14	16	12-14	7 ⁹ / ₁₆	9	9	8 ³ / ₄
	165A	12.9	7 ⁵ / ₈				9 ¹ / ₈	8 ¹³ / ₁₆		
	166A	16.3	16	18	16-20	9 ¹ / ₈	10 ⁵ / ₈	10 ⁹ / ₁₆	10 ⁷ / ₁₆	
8	161	1,800	5.8	10	12	8-10	6	7 ¹ / ₁₆	7 ¹ / ₁₆	7 ¹ / ₁₆
	162		6.3				6 ¹ / ₂	7 ⁹ / ₁₆	7 ⁹ / ₁₆	7 ⁹ / ₁₆
	163		7.2	12	14	7 ¹ / ₄	8 ⁵ / ₁₆	8 ¹ / ₂	8 ⁵ / ₁₆	
	164		7.7	14	16	12-14	7 ¹¹ / ₁₆	9	9	8 ³ / ₄
	165		10.2	16	18	16-20	8 ¹ / ₁₆	10 ¹ / ₈	10 ¹ / ₈	9 ⁷ / ₈
	165A	16.9	10 ¹ / ₁₆				11 ¹³ / ₁₆	11 ⁵ / ₈		
	166A	22.6	18	20	10 ¹ / ₄	11 ⁷ / ₈	11 ¹³ / ₁₆	11 ⁵ / ₈		
10	161	1,800	5.8	12	14	8-10	7 ¹ / ₄	8 ⁵ / ₁₆	8 ¹ / ₂	8 ⁵ / ₁₆
	162		7.7				14	16	12-14	7 ⁵ / ₈
	163		8.2	16	18	16-20	8 ¹ / ₈	9 ⁹ / ₁₆	9 ⁹ / ₁₆	9 ⁵ / ₁₆
	164		8.8				8 ¹ / ₁₆	10 ¹ / ₈	10 ¹ / ₁₆	10
	165		10.8	18	20	16-20	9 ³ / ₄	11 ¹ / ₄	11 ¹ / ₄	11 ¹ / ₈
	165A	18.9	9 ¹ / ₁₆				11 ⁵ / ₁₆	11 ¹ / ₄	11 ¹ / ₈	
	166A	24.3	20	—	22-24	11 ¹ / ₈	12 ¹⁵ / ₁₆	—	12 ¹ / ₂	
12	161	5,000	7.8	14	16	12-14	8 ¹ / ₁₆	9 ¹ / ₂	9 ¹ / ₂	9 ¹ / ₄
	162		9.9				8 ⁵ / ₈	10 ³ / ₁₆	10 ¹ / ₁₆	10
	163		10.5	16	18	16-20	9 ¹ / ₈	10 ¹ / ₁₆	10 ⁹ / ₁₆	10 ¹ / ₂
	164		11.4				9 ⁵ / ₈	11 ¹ / ₈	11 ¹ / ₈	11
	165		14.0	20	—	16-20	10 ¹³ / ₁₆	12 ³ / ₈	—	12 ³ / ₁₆
	165A		28.0				11	12 ¹ / ₂	—	12 ³ / ₈
	166A	35.5	24	—	22-24	12 ⁵ / ₁₆	14 ¹ / ₄	—	13 ¹¹ / ₁₆	
14	161	5,000	7.8	16	18	12-14	8 ³ / ₄	10 ³ / ₁₆	10 ¹ / ₈	10 ¹ / ₁₆
	162		9.9				9 ⁵ / ₁₆	10 ⁷ / ₈	10 ¹³ / ₁₆	10 ¹¹ / ₁₆
	163		10.5	18	20	16-20	9 ⁷ / ₈	11 ⁵ / ₁₆	11 ³ / ₈	11 ³ / ₁₆
	164		11.4				10 ⁹ / ₁₆	11 ³ / ₄	11 ³ / ₄	11 ⁵ / ₈
	165		14.0	20	—	16-20	11 ⁵ / ₁₆	12 ⁷ / ₈	—	12 ² / ₈
	165A		27.6				11 ⁹ / ₁₆	13 ¹ / ₁₆	—	12 ² / ₈
	166A	35.5	24	—	22-24	12 ⁷ / ₈	14 ³ / ₄	—	14 ¹ / ₄	

- Maximum recommended loads are applicable only when saddle is used on a flat bearing surface or roller hangers and tack welded to pipe. When saddle is used with a pipe roll, the maximum load for the assembly is the smaller of the two loads.
- Saddles may require notching when used with a U-bolt.

Continued on Following Page.

Fig. 160 to Fig 166A Pipe Covering Protection Saddle (cont.)

FIG. 160, 161, 162, 163, 164, 165, 165A, 166A: DIMENSIONS (IN) • LOADS (LBS) • WEIGHT (LBS)												
Pipe Size	Fig. No.	Max Load ■	Weight	Size of Pipe Roll			Center Line of Pipe to Outside of Saddle C	Center Line of Pipe to Center Line of Roll				
				Figs. 171, 175, 177	Figs. 174, 181	Figs. 271, 274, 277		D		E		
								Figs. 171, 175, 177	Fig. 181	Figs. 271, 274, 277		
16	161	5,000	8.4	18	20	16-20	9 ³ / ₁₆	11 ¹ / ₄	11 ¹ / ₄	11 ¹ / ₈		
	162		10.4				10 ⁹ / ₁₆	11 ³ / ₁₆	11 ³ / ₄	11 ⁹ / ₁₆		
	163	7,200	11.1	20	22-24	10 ¹³ / ₁₆	12 ⁵ / ₁₆	—	12 ³ / ₁₆			
	164		13.3	—		11 ¹ / ₁₆	12 ⁷ / ₈	—	12 ⁷ / ₁₆			
	165		15.3	—		12 ³ / ₁₆	14 ¹ / ₈	—	13 ⁵ / ₈			
	165A	11,140	30.1	24	—	12 ⁷ / ₁₆	14 ⁵ / ₁₆	—	13 ³ / ₈			
	166A		40.0	30	—	13 ¹³ / ₁₆	16 ⁵ / ₈	—	15 ⁵ / ₈			
18	161	5,000	9.1	20	—	16-20	10 ¹³ / ₁₆	12 ⁵ / ₁₆	—	12 ³ / ₁₆		
	162	7,200	10.4				—	22-24	11 ⁵ / ₁₆	12 ⁷ / ₈	—	12 ¹¹ / ₁₆
	163		12.4	—	11 ⁵ / ₈	13 ⁹ / ₁₆	—		13 ¹ / ₁₆			
	164		13.3	24	—	12 ¹ / ₄	14 ³ / ₁₆		—	13 ⁵ / ₈		
	165	13,370	15.3	—	—	13 ⁵ / ₁₆	15 ¹ / ₄	—	14 ³ / ₄			
	165A		40.3	—	—	13 ³ / ₄	15 ¹ / ₁₆	—	15 ¹ / ₈			
	166A		52.1	30	—	26-30	14 ⁷ / ₈	17 ⁵ / ₈	—	16 ⁵ / ₈		
20	161	7,200	10.4	24	—	22-24	11 ⁵ / ₈	13 ⁹ / ₁₆	—	13 ¹ / ₁₆		
	162		11.6				—	12 ¹ / ₄	14 ¹ / ₈	—	13 ⁵ / ₈	
	163		12.4				—	12 ³ / ₄	14 ¹ / ₁₆	—	14 ³ / ₁₆	
	164		13.4				—	13 ⁵ / ₁₆	15 ¹ / ₄	—	14 ³ / ₄	
	165	13,370	22.8	—	—	26-30	14 ⁷ / ₈	17	—	15 ⁵ / ₈		
	165A		44.8	30	—	14 ³ / ₈	17 ³ / ₁₆	—	16 ¹ / ₈			
	166A		52.1	—	—	16 ¹ / ₈	18 ⁵ / ₁₆	—	17 ⁷ / ₈			
24	161	7,200	12.3	30	—	26-30	13 ¹ / ₂	16 ⁵ / ₁₆	—	15 ¹ / ₄		
	162		13.4				—	14	16 ⁷ / ₈	—	15 ³ / ₄	
	163		14.3				—	14 ⁵ / ₈	17 ¹ / ₂	—	16 ⁷ / ₁₆	
	164		20.3				—	15 ¹ / ₄	18 ¹ / ₁₆	—	17	
	165		23.1				—	16 ⁷ / ₁₆	19 ¹ / ₄	—	18 ³ / ₁₆	
	165A	13,370	45.4	—	—	16 ¹ / ₁₆	19 ¹ / ₂	—	18 ⁷ / ₁₆			
	166A		52.1	—	—	18	—	—	19 ³ / ₄			
30	161	7,200	13.3	—	—	36-42	16 ¹⁵ / ₁₆	—	—	18 ⁷ / ₈		
	162		14.0				—	—	17 ¹ / ₂	—	—	19 ⁹ / ₈
	163		20.0				—	—	18 ¹ / ₁₆	—	—	19 ¹⁵ / ₁₆
	164		21.4				—	—	18 ⁵ / ₈	—	—	20 ¹ / ₂
	165		24.0				—	—	19 ¹¹ / ₁₆	—	—	21 ¹ / ₂
	165A	13,370	47.9	—	—	19 ¹⁵ / ₁₆	—	—	21 ³ / ₄			
	166A		55.6	—	—	21 ¹ / ₂	—	—	23 ³ / ₈			
36	161	7,200	18.0	—	—	36-42	20 ¹ / ₄	—	—	22 ¹ / ₈		
	162		18.9				—	—	20 ¹⁵ / ₁₆	—	—	22 ⁵ / ₈
	163		20.2				—	—	21 ⁵ / ₁₆	—	—	23 ³ / ₁₆
	164		21.6				—	—	21 ⁷ / ₈	—	—	23 ¹ / ₁₆
	165		24.1				—	—	22 ⁷ / ₈	—	—	24 ¹ / ₁₆
	165A	13,370	48.3	—	—	23 ³ / ₈	—	—	25			
	166A		55.8	—	—	24 ⁵ / ₈	—	—	26 ¹ / ₂			

- Maximum recommended loads are applicable only when saddle is used on a flat bearing surface or roller hangers and tack welded to pipe. When saddle is used with a pipe roll, the maximum load for the assembly is the smaller of the two loads.
- Saddles may require notching when used with a U-bolt.

Fig. 45

Channel Assembly

Material: Carbon steel

Finish: Plain or Hot-Dip Galvanized

Ordering: Fig. 45 channel assembly; channel size, rod size, name, finish and C to C. Note: that $L = (C \text{ to } C) + 2M + W$

Note: Can also be used with a U-bolt Fig. 137 & Fig. 60 washer plates to secure pipe to the center of channel assembly.

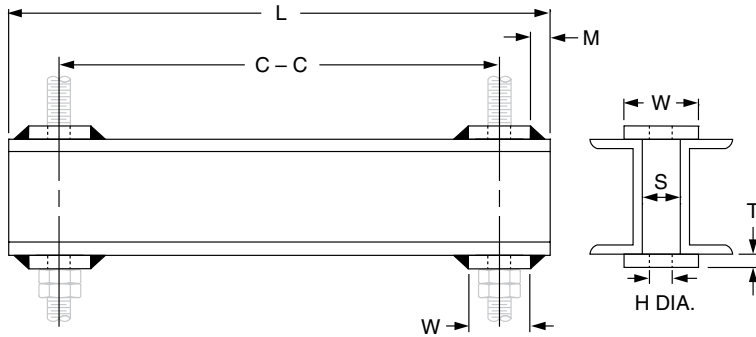


FIG. 45: DIMENSIONS (IN)

Rod Dia	3/8	1/2	5/8	3/4	7/8	1	1 1/4	1 1/2	1 3/4	2	2 1/4	2 1/2	2 3/4	3	3 1/4	3 1/2
H Hole	1/2	5/8	3/4	7/8	1	1 1/4	1 1/2	1 3/4	2	2 1/4	2 1/2	2 3/4	3	3 1/4	3 1/2	3 3/4
S	9/16	1 1/16	1 3/16	1 5/16	1 7/16	1 3/8	1 5/8	1 7/8	2 1/4	2 1/2	2 3/4	3	3 1/4	3 1/2	3 3/4	4
W	3	3	3	4	4	4	5	5	5	5	6	6	6	6	6	7
T	1/4	1/4	3/8	3/8	1/2	1/2	1/2	3/4	3/4	3/4	3/4	3/4	3/4	3/4	3/4	3/4
M	3/8	3/8			3/8	3/8	3/8	3/8	3/8	3/8	3/8	3/8	3/8	3/8	3/8	1/2

FIG. 45: WEIGHTS (LBS) • LOADS (LBS) • C TO C = SPAN (IN)

Size	Wt./Ft. 2C's	Maximum Load (lbs); Based on C to C Dimensions at Max Temperature of 250° F															
		12	14	16	18	20	22	24	26	28	30	36	42	48	54	60	
3	8.2	8,800	7,500	6,600	5,800	5,200	4,800	4,400	3,900	3,600	3,500	2,900	2,500	2,200	1,900	1,700	
4	10.8	15,200	13,100	11,400	10,200	9,100	8,300	7,500	7,000	6,500	6,100	5,100	4,300	3,800	3,300	3,000	
5	13.4	-	-	-	16,000	14,400	13,100	12,000	11,100	10,300	9,600	8,000	6,800	6,000	5,300	4,800	
6	21.0	-	-	-	26,600	24,000	21,800	20,000	18,400	17,100	16,000	13,300	11,400	10,000	8,800	8,000	
8	23.0	-	-	-	-	-	-	32,300	29,800	27,700	25,800	21,500	18,500	16,100	14,300	12,900	
10	30.6	-	-	-	-	-	-	53,500	49,400	45,800	42,800	35,700	30,600	26,700	23,800	21,400	
12	41.4	-	-	-	-	-	-	-	-	-	-	57,000	48,900	42,800	38,000	34,200	
15	67.8	-	-	-	-	-	-	-	-	-	-	111,000	95,300	83,400	74,100	66,700	

Fig. 46

Universal Trapeze Assembly

Material: Carbon steel

Finish: Plain or Hot-Dip Galvanized

Service: Trapeze assembly is to be suspended by two rods with Fig. 60 washer plates and is designed for top loading exclusively.

Ordering: Specify size number, figure number, name, finish, C to C dimension and hole size "H". If holes "J" or hole "D" are required, also specify hole size and dimensions "K" and "M" or "B".

Note: Larger C to C dimensions are available upon request.

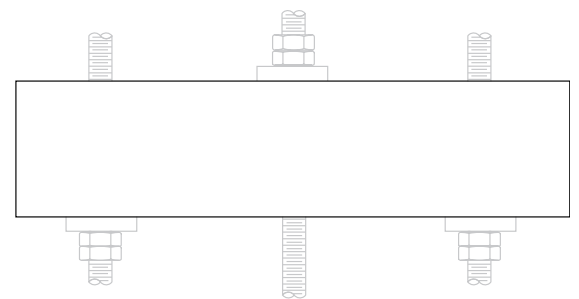
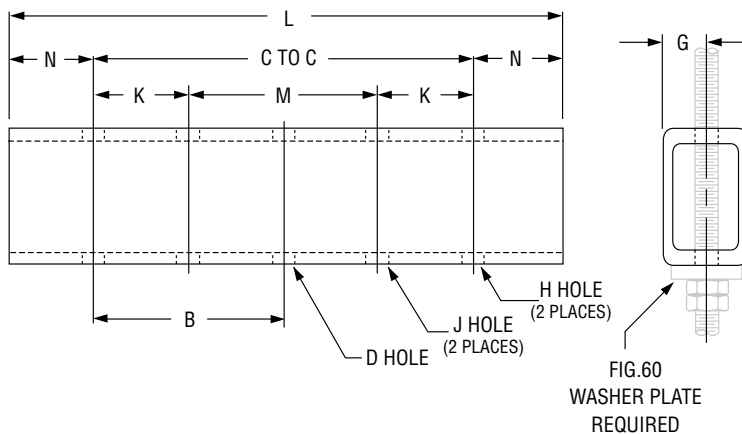


FIG. 46: DIMENSIONS (IN) • WEIGHT (LBS)

Size	Size Tubing	Weight	Max Hole Dia. H, J, D	G	N	C to C = Span (in)														
						12	14	16	18	20	22	24	26	28	30	36	42	48	54	60
						L (in)														
1	1/4 x 2 x 2	5.40	1 1/8	1	1 1/2	15	17	19	21	23	25	27	29	31	33	39	-	-	-	-
2	1/4 x 3 x 2	7.10				-	-	-	23 1/4	25 1/4	27 1/4	29 1/4	31 1/4	33 1/4	35 1/4	41 1/4	47 1/4	53 1/4	59 1/4	65 1/4
3	3/16 x 4 x 3	8.14	1 5/8	1 1/2	2 1/2	-	-	-	23	25	27	29	31	33	35	41	47	53	59	65
4	1/4 x 4 x 4	12.00	1 7/8	2	2 5/8	-	-	-	23 1/4	25 1/4	27 1/4	29 1/4	31 1/4	33 1/4	35 1/4	41 1/4	47 1/4	53 1/4	59 1/4	65 1/4
5	1/4 x 6 x 4	15.42	2 3/8		3 3/8	-	-	-	-	-	-	30 3/4	32 3/4	34 3/4	36 3/4	42 3/4	48 3/4	54 3/4	60 3/4	66 3/4
6	1/4 x 8 x 4	18.80	2 7/8		4	-	-	-	-	-	-	32	34	36	38	44	50	56	62	68

FIG. 46: MAXIMUM LOAD (LBS); BASED ON C TO C DIMENSIONS AT MAX TEMPERATURE OF 250° F

Size	FIG. 46: MAXIMUM LOAD (LBS); BASED ON C TO C DIMENSIONS AT MAX TEMPERATURE OF 250° F														
	12	14	16	18	20	22	24	26	28	30	36	42	48	54	60
1	2,600	2,300	1,900	1,700	1,500	1,400	1,300	1,200	1,100	1,000	8,80	-	-	-	-
2	6,700	5,700	5,000	4,500	4,000	3,600	3,300	3,100	2,800	2,700	2,200	-	-	-	-
3	-	-	-	5,800	5,200	4,800	4,400	3,900	3,600	3,500	2,900	2,500	2,200	1,900	1,700
4	-	-	-	10,200	9,100	8,300	7,500	7,000	6,500	6,100	5,100	4,300	3,800	3,300	3,000
5	-	-	-	-	-	-	12,000	11,100	10,300	9,600	8,000	6,800	6,000	5,300	4,800
6	-	-	-	-	-	-	20,000	18,400	17,100	16,000	13,300	11,400	10,000	8,800	8,000

Fig. 50

Equal Leg Angle for Trapeze Assembly

Material: Carbon steel

Finish: Plain or Hot-Dip Galvanized

Ordering:

If two holes "H" are required:

Specify Fig. 50 angle
(nominal size, C to C, H, total weight and load)

If two holes "H" and hole "D" are required:

Specify Fig. 50 angle
(nominal size, B, C to C, D, H, total weight and load)

If two holes "H" and two holes "J" are required:

Specify Fig. 50 angle
(nominal size, C to C, H, J, K, M, total weight and load)

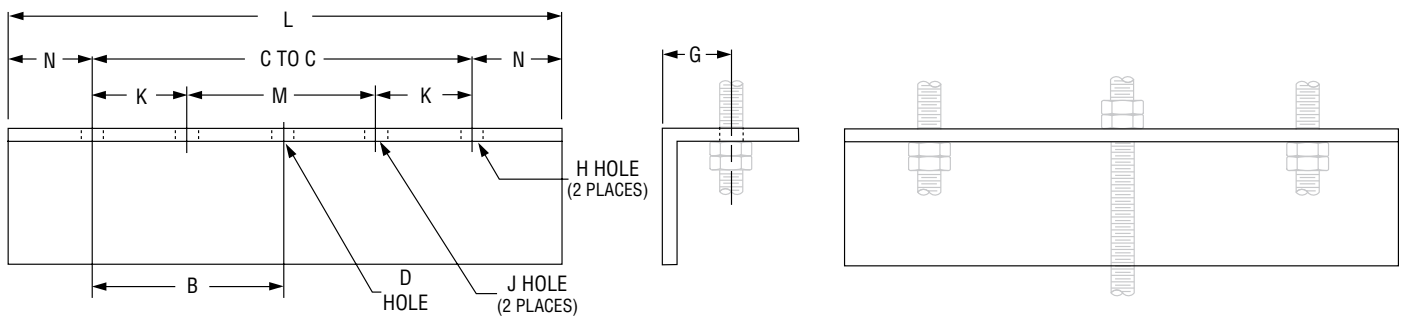


FIG. 50: DIMENSIONS (IN) • LOAD (LBS) • WEIGHT (LBS)

Size	Weight Per/Ft	G	N	Max Rod Size H	C to C = Span in Inches										
					8	10	12	14	16	18	20	22	24	28	30
					Maximum Load; Based on C to C Dimensions at Max Temperature of 250°F										
1½ x ¼	2.34	¾	1¼	½	780	624	520	446	390	346	312	284	260	223	208
2 x ¼	3.19	1½	1½	⅝	1,500	1,200	1,000	856	750	667	600	545	500	428	400
2 x ⅜	4.70			¾	2,100	1,680	1,400	1,200	1,050	933	840	763	700	600	560
2½ x ⅜	5.90	1¾	1¾	1	3,420	2,736	2,280	1,954	1,710	1,520	1,368	1,244	1,140	977	912
3 x ⅜	7.20	1¾		1¼	4,980	3,984	3,320	2,846	2,490	2,130	1,992	1,810	1,660	1,423	1,328
3 x ½	9.40		2	2	6,600	5,280	4,400	3,772	3,300	2,933	2,640	2,400	2,200	1,886	1,760
4 x ½	12.80	2½	2	2	12,000	9,600	8,000	6,858	6,000	5,333	4,800	4,364	4,000	3,429	3,200

Stanchions
& Supports

Guides
& Slides

Pipe Halls
& Saddles

Trapeze

Spring
Hangers

Constant
Supports

Vibration Control
& Sway Brace

Sway Strut
Assembly

Snubbers

Special Design
Products

Seismic
Braces

Seismic
Restraints

Technical
Data

Index

SPRING HANGERS

Fig. 82, Fig. B-268, Fig. 98, Triple Spring, and Quadruple Spring Fig. C-82, Fig. C-268, Fig. C-98, Triple-CR, and Quadruple-CR Spring (Corrosion Resistant)

Design features:

- Precompression.
Precompressing the spring into the hanger casing provides the following advantages:
 - (1) Saves up to 50% in headroom by reducing the length of the hanger.
 - (2) Reduces the installed height of the overall hanger assembly.
 - (3) Prevents the spring supporting force from exceeding the normal safe limits of variations.
 - (4) Saves valuable erection time because spring is precompressed close to $\frac{1}{2}$ " of the working range.
- Calibration: all Anvil Variable Spring Hangers and supports are calibrated for accurate loading conditions.
- Load indicator is clearly seen in the slot, simplifying reading of the scale plate. Load is read from bottom of indicator.
- Cold set at the factory upon request.
- Spring and casing are fabricated of steel and are rugged and compact.
- Piston cap serves as a centering device or guide maintaining spring alignment.
- Casing protects the spring from damage and weather conditions.

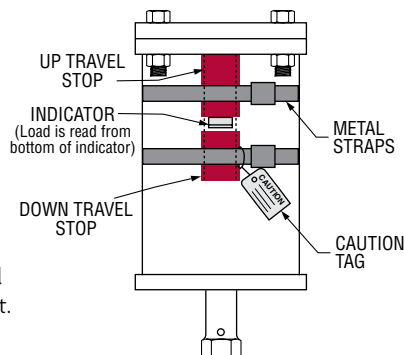
Standard Finish: Painted with semi-gloss primer.

Corrosion Resistant: Anvil offers corrosion-resistant and weather-resistant Variable Spring Hangers to fill vital needs in the chemical and refinery industries as well as in modern outdoor power plant construction. For protection against severe weather conditions or moderate corrosive conditions, the parts of the hanger are galvanized per ASTM A-153, except the spring which has a protective coating and the load column for Type F which is electro-galvanized.

Advantages of a Protective Coating:

- Protects from a wide range of corrosives.
- Does not affect the flex life of the spring.
- Recommended for ambient temperatures up to 200° F

Travel stop: The functional design of the pre-compressed variable spring hanger permits the incorporation of a two-piece travel stop that locks the hanger spring against upward or downward movement for temporary conditions of underload or overload. The complete travel stop, the up travel stop only for cold set purposes or the down travel stop only which may be employed during erection, hydrostatic test (Anvil permits a hydrostatic test load of 2 times the normal operating load for the spring hanger) or chemical cleanout will be furnished only when specified. The travel stop is painted red and is installed at the factory with a caution tag attached calling attention that the device must be removed before the pipe line is put in service. Permanently attached travel stops available upon request.



Approvals: WW-H-171E (Types 51, 56 and 57), ANSI/MSS SP-69 and MSS SP-58 (Types 51, 52 and 53).

Specifications: Anvil Variable Spring Hangers are welded in strict accordance with ASME Section IX.

Size Range: The Anvil Variable Spring Hanger in five series and seven types is offered in twenty-three sizes (Fig. B-268 only is offered in twenty-five sizes). The hanger can be furnished to take loads 10 lbs. to 50,000 lbs.

Ordering:

- (1) Size
- (2) Type
- (3) Figure number
- (4) Product name
- (5) Desired supporting force in operating position
- (6) Calculated amount and direction of pipe movement from installed to operating position.
- (7) Customer's identification number (if any)
- (8) When ordering Type F spring specify if roller or guided load column is to be furnished.
- (9) When ordering Type G, specify total load and load per spring plus center to center rod dimensions.
- (10) If required, specify with travel stop
- (11) When ordering corrosion resistant, specify C-268, C-82, C-98, Triple-CR, or Quadruple-CR "completely galvanized except coated spring coil".

Note:

To help alleviate the problem of lifting large size spring hangers into position for installation, this product is available with lifting lugs (if required) on sizes weighing one hundred pounds or more.

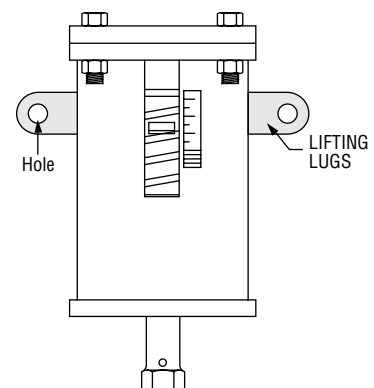
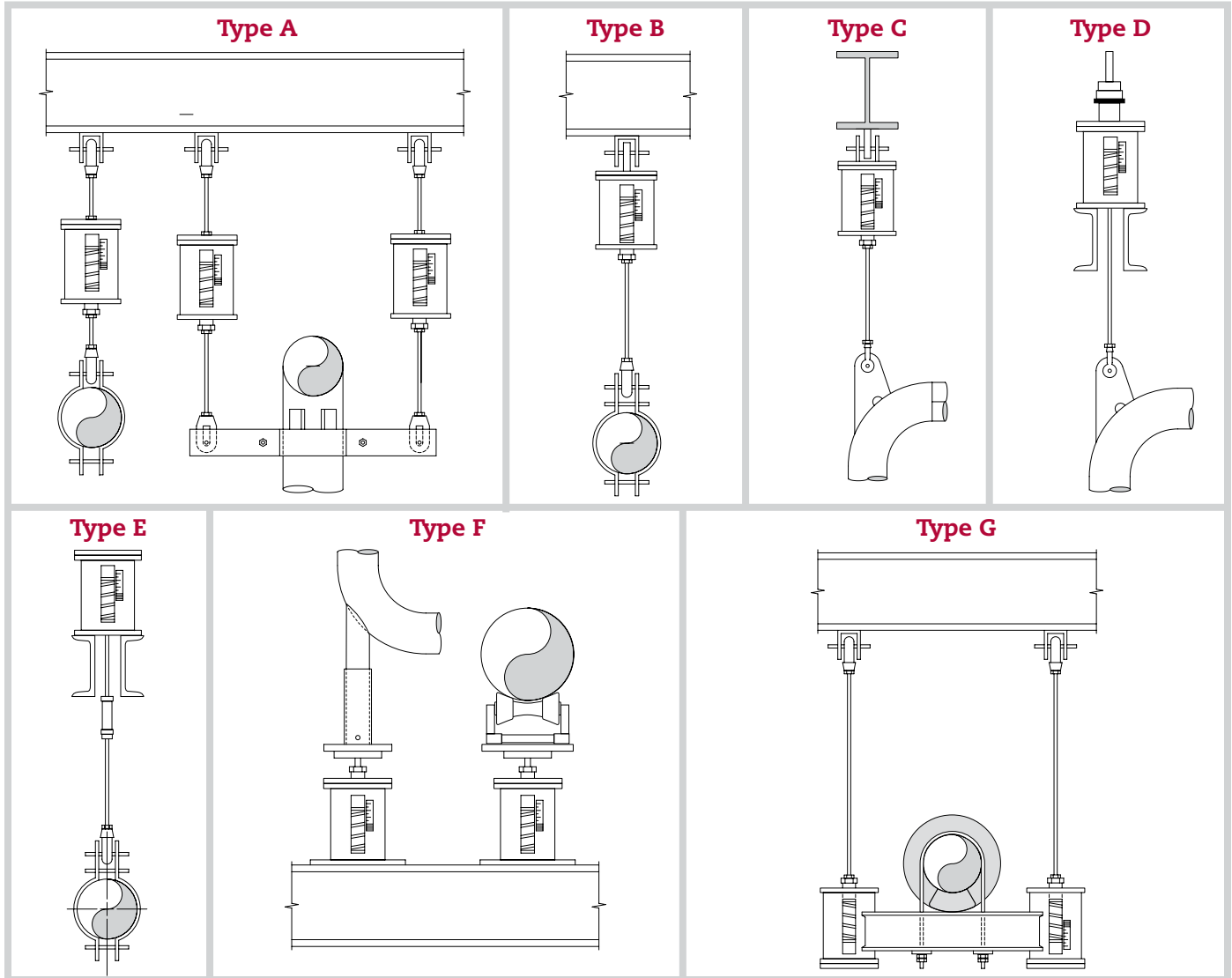


Fig. 82, Fig. B-268, Fig. 98, Triple Spring, and Quadruple Spring (cont.) Fig. C-82, Fig. C-268, Fig. C-98, Triple-CR, and Quadruple-CR Spring (Corrosion Resistant)

How to Determine Type: The type of variable spring hanger to be used depends upon the physical characteristics required by the suspension problem (e.g., amount of head room, whether pipe is to be supported above or below the spring, etc.).

Consideration should be given to the seven standard types offered (see illustration below). Special variable spring hangers can be fabricated for unusual conditions.

Spring Hanger Types – Typical Applications



Recommended Service: Pipe hangers located at points that are subject to vertical thermal movement and for which a constant support hanger is not required (see “recommended service” for constant support hanger, page 181). Type D & E spring hangers may accommodate less than 4° of rod swing depending on size, figure number, and application.

Installation: Securely attach hanger to the building. Attach lower hanger rod and turn the load coupling until the load indicator is positioned at the desired setting indicated on the load scale plate.

Adjustment of Hanger: Once installed in the line; the hanger should be adjusted until the load indicator moves to the white button marked “C” (cold position). On inspection of the system, after a reasonable period of operation, the load indicator should be at the red button marked “H” (hot position). If it is not, the hanger should be readjusted to the hot position. No other adjustment is necessary.

How to Determine Series: Complete sizing information is given on the hanger selection chart on pages 164 and 165. The sizing information is applicable to hangers of all series. As noted on the hanger selection charts that the total spring deflection in the casing leaves a reserve (overtravel) above and below the recommended working load range.

SPRING HANGERS

Spring Hanger Size and Series Selection

How to use hanger selection table: In order to choose a proper size hanger, it is necessary to know the actual load which the spring is to support and the amount and direction of the pipe line movement from the cold to the hot position.

Find the actual load of the pipe in the load table. As it is desirable to support the actual weight of the pipe when the line is hot, the actual load is the hot load. To determine the cold load, read the spring scale, up or down, for the amount of expected movement.

The chart must be read opposite from the direction of the pipe's movement. The load arrived at is the cold load.

If the cold load falls outside of the working load range of the hanger selected, relocate the actual or hot load in the adjacent column and find the cold load. When the hot and cold loads are both within the working range of a hanger, the size number of that hanger will be found at the top of the column.

LOAD TABLE (LBS) FOR SELECTION OF HANGER SIZE (sizes 10 through 22 on next page)																	
Working Range (in) unshaded Shaded Rows Show Overtravel					Hanger size												
					B-268 Only		Fig. 82, Fig. B-268, Fig. 98, Triple & Quadruple Spring										
Figure No.					000	00	0	1	2	3	4	5	6	7	8	9	
Quad.	Triple	98	B-268	82													
2	1½	1	½	¼	7	19	43	63	81	105	141	189	252	336	450	600	
					7	20	44	66	84	109	147	197	263	350	469	625	
					8	22	46	68	88	114	153	206	273	364	488	650	
					9	24	48	71	91	118	159	213	284	378	506	675	
0	0	0	0	0	10	26	50	74	95	123	165	221	294	392	525	700	
					11	28	52	76	98	127	170	228	305	406	544	725	
					12	30	54	79	101	131	176	236	315	420	563	750	
					12	31	56	81	105	136	182	244	326	434	581	775	
2	1½	1	½	¼	14	34	58	84	108	140	188	252	336	448	600	800	
					14	35	59	87	111	144	194	260	347	462	619	825	
					15	38	61	89	115	149	200	268	357	476	638	850	
					16	40	63	92	118	153	206	276	368	490	656	875	
4	3	2	1	½	17	41	65	95	122	158	212	284	378	504	675	900	
					18	43	67	97	125	162	217	291	389	518	694	925	
					19	45	69	100	128	166	223	299	399	532	713	950	
					20	47	71	102	132	171	229	307	410	546	731	975	
6	4½	3	1½	¾	21	49	73	105	135	175	235	315	420	560	750	1,000	
					21	50	74	108	138	179	241	323	431	574	769	1,025	
					22	53	76	110	142	184	247	331	441	588	788	1,050	
					23	55	78	113	145	188	253	339	452	602	806	1,075	
8	6	4	2	1	24	56	80	116	149	193	258	347	462	616	825	1,100	
					25	58	82	118	152	197	264	354	473	630	844	1,125	
					26	60	84	121	155	201	270	362	483	644	863	1,150	
					27	62	86	123	159	206	276	370	494	658	881	1,175	
10	7½	5	2½	1¼	28	64	88	126	162	210	282	378	504	672	900	1,200	
					28	66	89	129	165	214	288	386	515	686	919	1,225	
					29	68	91	131	169	219	294	394	525	700	938	1,250	
					30	70	93	134	172	223	300	402	536	714	956	1,275	
2	1½	1	½	¼	31	72	95	137	176	228	306	410	546	728	975	1,300	
					Spring Rate (lbs/in)												
					82	–	–	30	42	54	70	94	126	168	224	300	400
					B-268	7	15	15	21	27	35	47	63	84	112	150	200
98	–	–	7	10	13	17	23	31	42	56	75	100					
Triple	–	–	5	7	9	12	16	21	28	37	50	67					
Quadruple	–	–	4	5	7	9	12	16	21	28	38	50					

Note: General rule for series selection use Fig. 82 for up to ½" of movement up to 1" use Fig. B-268, up to 2" use Fig. 98, up to 3" use a Triple, up to 4" use a Quadruple. Double check to assure desired variability is achieved.

Spring Hanger Size and Series Selection

How to use hanger selection table (cont.): Should it be impossible to select a hanger in a particular series such that both loads occur within the working range, consideration should be given to a variable spring hanger with a wider working range or a constant support hanger. The cold load is calculated by adding (for up movement) or subtracting (for down movement) the product of spring rate times movement to or from the hot load.

Cold load = (hot load) ± (movement) x (spring rate)

A key criteria in selecting the size and series of a variable spring is a factor known as variability. This is a measurement of the percentage change in supporting force between the hot and cold positions of a spring and is calculated from the formula:

Variability = (Movement) x (Spring Rate) / (Hot Load)

If an allowable variability is not specified, good practice would be to use 25% as recommended by MSS-SP-58.

LOAD TABLE (LBS) FOR SELECTION OF HANGER SIZE (Continued from previous page)																	
Hanger size													Working Range (in) unshaded Shaded Rows Show Overtravel				
Fig. 82, Fig. B-268, Fig. 98, Triple & Quadruple Spring													Figure No.				
10	11	12	13	14	15	16	17	18	19	20	21	22	82	B-268	98	Triple	Quad.
780	1,020	1,350	1,800	2,400	3,240	4,500	6,000	7,990	10,610	14,100	18,750	25,005					
813	1,063	1,406	1,875	2,500	3,375	4,688	6,250	8,322	11,053	14,588	19,531	26,047	¼	½	1	1½	2
845	1,105	1,463	1,950	2,600	3,510	4,875	6,500	8,655	11,495	15,275	20,313	27,089					
878	1,148	1,519	2,025	2,700	3,645	5,063	6,750	8,987	11,938	15,863	21,094	28,131					
910	1,190	1,575	2,100	2,800	3,780	5,250	7,000	9,320	12,380	16,450	21,875	29,173	0	0	0	0	0
943	1,233	1,631	2,175	2,900	3,915	5,438	7,250	9,652	12,823	17,038	22,656	30,215					
975	1,275	1,688	2,250	3,000	4,050	5,625	7,500	9,985	13,265	17,625	23,438	31,256					
1,008	1,318	1,744	2,325	3,100	4,185	5,813	7,750	10,317	13,708	18,213	24,219	32,298					
1,040	1,360	1,800	2,400	3,200	4,320	6,000	8,000	10,650	14,150	18,800	25,000	33,340	¼	½	1	1½	2
1,073	1,403	1,856	2,475	3,300	4,455	6,188	8,250	10,982	14,592	19,388	25,781	34,382					
1,105	1,445	1,913	2,550	3,400	4,590	6,375	8,500	11,315	15,035	19,975	26,563	35,424					
1,138	1,488	1,969	2,625	3,500	4,725	6,563	8,750	11,647	15,477	20,563	27,344	36,466					
1,170	1,530	2,025	2,700	3,600	4,860	6,750	9,000	11,980	15,920	21,150	28,125	37,508	½	1	2	3	4
1,203	1,573	2,081	2,775	3,700	4,995	6,938	9,250	12,312	16,362	21,738	28,906	38,549					
1,235	1,615	2,138	2,850	3,800	5,130	7,125	9,500	12,645	16,805	22,325	29,688	39,591					
1,268	1,658	2,194	2,925	3,900	5,265	7,313	9,750	12,977	17,247	22,913	30,469	40,633					
1,300	1,700	2,250	3,000	4,000	5,400	7,500	10,000	13,310	17,690	23,500	31,250	41,675	¾	1½	3	4½	6
1,333	1,743	2,306	3,075	4,100	5,535	7,688	10,250	13,642	18,132	24,088	32,031	42,717					
1,365	1,785	2,363	3,150	4,200	5,670	7,875	10,500	13,975	18,575	24,675	32,813	43,759					
1,398	1,828	2,419	3,225	4,300	5,805	8,063	10,750	14,307	19,017	25,263	33,594	44,801					
1,430	1,870	2,475	3,300	4,400	5,940	8,250	11,000	14,640	19,460	25,850	34,375	45,843	1	2	4	6	8
1,463	1,913	2,531	3,375	4,500	6,075	8,438	11,250	14,972	19,902	26,438	35,156	46,885					
1,495	1,955	2,588	3,450	4,600	6,210	8,625	11,500	15,305	20,345	27,025	35,938	47,926					
1,528	1,998	2,644	3,525	4,700	6,345	8,813	11,750	15,637	20,787	27,613	36,719	48,968					
1,560	2,040	2,700	3,600	4,800	6,480	9,000	12,000	15,970	21,230	28,200	37,500	50,010	1¼	2½	5	7½	10
1,593	2,083	2,756	3,675	4,900	6,615	9,188	12,250	16,302	21,672	28,788	38,281	51,052					
1,625	2,125	2,813	3,750	5,000	6,750	9,375	12,500	16,635	22,115	29,375	39,063	52,094	¼	½	1	1½	2
1,658	2,168	2,869	3,825	5,100	6,885	9,563	12,750	16,967	22,557	29,963	39,844	53,136					
1,690	2,210	2,925	3,900	5,200	7,020	9,750	13,000	17,300	23,000	30,550	40,625	54,178					
Spring Rate (lbs/in)																	
520	680	900	1,200	1,600	2,160	3,000	4,000	5,320	7,080	9,400	12,500	16,670	82				
260	340	450	600	800	1,080	1,500	2,000	2,660	3,540	4,700	6,250	8,335	B-268				
130	170	225	300	400	540	750	1,000	1,330	1,770	2,350	3,125	4,167	98				
87	113	150	200	267	360	500	667	887	1,180	1,567	2,083	2,778	Triple				
65	85	113	150	200	270	375	500	665	885	1,175	1,563	2,084	Quadruple				

Note: General rule for series selection use Fig. 82 for up to ½" of movement up to 1" use Fig. B-268, up to 2" use Fig. 98, up to 3" use a Triple, up to 4" use a Quadruple. Double check to assure desired variability is achieved.



SPRING HANGERS

Variable Spring

Check List for Requesting a Quote or Ordering

Page ___ of ___



Anvil International
Precision Park
160 Frenchtown Rd.
North Kingstown, RI 02852

For technical information regarding
Variable Springs Call or Email:
Phone Number: (401) 886-3020
Email: eps_contact@anvilintl.com

Finish: Standard Primer: _____ Galvanized: _____ Special Coating: _____

Quantity: _____

Figure No.: Options are: 82, B-268, 98, Triple, Quadruple
or: C-82, C-268, C-98, Triple-CR, Quadruple-CR

Size: Options are: #0 through #22 (B-268 / C-268 also available in #00 and #000) _____

Type: Options are: A through G* _____

Hot (Operating or Design) Load (lbs): _____ (optional)**

Cold/Installed (Factory Set) Load (lbs): _____ (optional)**

Vertical Movement: _____ + (up) or - (down) (optional)**

Mark Number: _____ (If Required)

Travel Stops: Yes: _____ No: _____

If travel stops are ordered and hot & cold loads are not provided, then the spring will be set to mid range load.

Lifting Lugs: Yes: _____ No: _____

Available on sizes weighing 100 lbs or more.

Notes:

* Type G Springs must also include the C-to-C dimension & the load per spring.

** Anvil will determine the appropriate Figure Number and will calculate the Cold Load when only the Hot Load and movement are specified.

Fig. B-268, C-268

Spring Hangers (Type A)

Type A is the basic unit of Fig. B-268 Anvil Variable Spring Hanger. It is designed for attachment to its supporting member by screwing a rod into a tapped hole in the top cap of the hanger the full depth of the top cap ("G" dimension). The upper jam nut should then be locked, securing the hanger. Adjustment of the hanger load is accomplished by turning the coupling on the lower hanger rod until the hanger picks up the load and the load indicator points to the desired position.

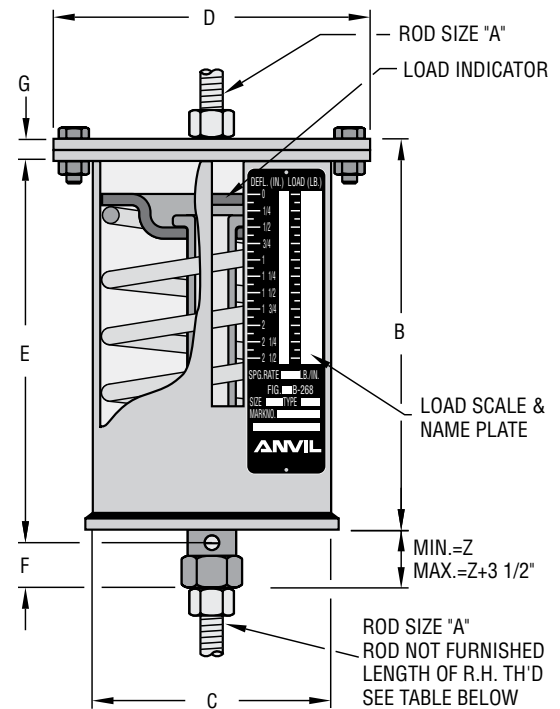


FIG. B-268, FIG. C-268 TYPE A: DIMENSIONS (IN) • WEIGHT (LBS)

Hanger Size	Weight	Rod Size A	R.H. Thread Length	Casing Length B	Casing Diam C	Flange Diam D	Rod Take Out E	Min. Thread Engagement F	Thread Depth G	Z
000	5	1/2	5	5 5/8	4	5 1/8	5 1/16	15/16	7/16	13/16
00	6			7 9/16			6 7/16			13/16
0	8	1/2	5	6 11/16	4	5 1/8	6 1/16	15/16	7/16	3/4
1	8			7 9/16			6 5/16			1
2	9	1/2	5	8 5/16	5 9/16	6 15/16	7 15/16	15/16	7/16	1
3	14			7 15/16			7 1/16			1
4	15	1/2	5	7 15/16	5 9/16	6 15/16	7 15/16	15/16	7/16	1 3/8
5	16			8 5/8			7 1/4			1 1/16
6	26	5/8	5	8 13/16	6 5/8	8 3/8	7 13/16	15/16	5/8	9/16
7	29			10			9 1/16			5/8
8	31	3/4	6	10 7/16	8 5/8	10 3/4	8 15/16	1 1/4	1	3/4
9	65			12 7/8			11 3/8			1 1/2
10	71	1	6	10 7/16	8 5/8	10 3/4	9 7/8	1 1/4	1	1 1/16
11	65			13 3/8			11 3/8			1/2
12	71	1 1/4	7	13 3/4	8 5/8	10 3/4	11 3/8	1 1/4	1 1/4	3/8
13	89			13 3/4			11 3/8			5/8
14	93	1 1/2	8	16 1/16	8 5/8	11 3/8	14 13/16	1 5/16	1 3/8	2 1/16
15	111			18 7/8			16 3/4			1 5/16
16	133	2	9	18 3/4	12 3/4	15 7/8	16	2 3/4	2 1/4	2 9/16
17	162			20 1/2			18 3/8			2 1/4
18	330	2 1/4	10	23 3/4	12 3/4	16 7/8	21 5/8	3 5/8	2 3/4	2 11/16
19	376			27 5/16			23 7/8			3 1/16
20	480	2 3/4	10	33 3/8	12 3/4	16 7/8	29 3/4	3 5/8	3	3 1/16
21	556			33 3/8			29 3/4			3 1/16
22	705	3	11	33 3/8	12 3/4	16 7/8	29 3/4	3 5/8	3	3 3/4



SPRING HANGERS

Fig. B-268, C-268

Spring Hangers (Type B & Type C)

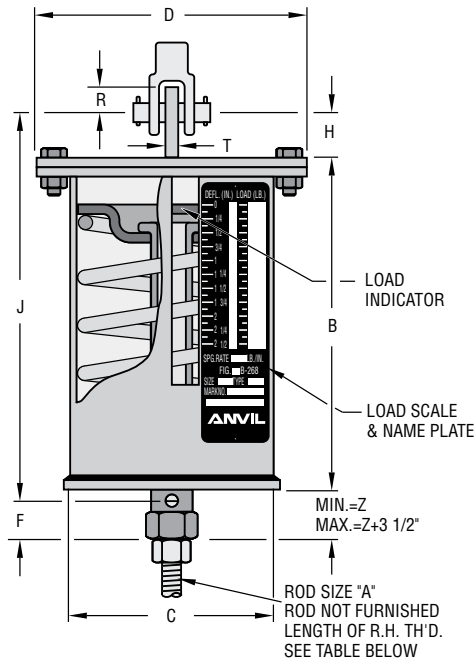


Fig. B-268 Type B

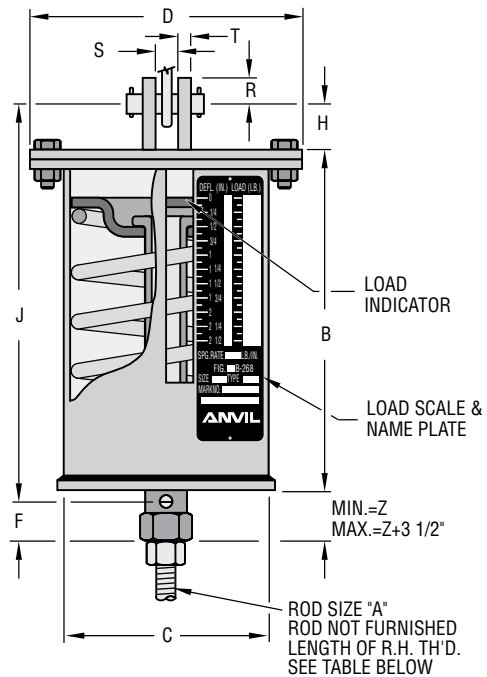


Fig. B-268 Type C

Type B is furnished with a single lug for attachment to the building structure. The lug permits use of a clevis, welded beam attachment or a pair of angles for attachment where headroom is limited.

Type C is furnished with two lugs for attachment to the building structure. These two lugs permit the use of an eye rod, Fig. 55L or a single plate for attachment where headroom is limited.

FIG. B-268, FIG. C-268 TYPE B, C: DIMENSIONS (IN) • WEIGHT (LBS)

Hanger Size	Weight (lbs)	Rod Size A	R.H. Thread Length	Lug Hole Size	Casing Length B	Casing Diam C	Flange Diam D	Min. Thd Engagement F	Height of Pin H	Rod Take Out J	R	Clevis Opening S	Thickness T	Z	
000	5	1/2	5	1 1/16	5 5/8	4	5 5/8	1 5/16	1 1/2	7	1 1/4	7/8	1/4	1 3/16	
00	6				7 9/16					9 1/2				1 3/16	
0	8	1/2	5	1 1/16	6 11/16	4	5 5/8	1 5/16	1 1/2	8	1 1/4	7/8	1/4	3/4	
1	9				7 9/16					8 5/8				1	
2	10				8 5/16					9 5/8				1 1/8	
3	14	1/2	5	1 1/16	7 15/16	5 5/16	6 15/16	1 5/16	1 1/2	9 1/2	1 1/4	7/8	1/4	1	
4	16				9 5/8					1 3/8					
5	17				8 5/8					1 1/16					
6	27				8 13/16					9/16					
7	30	5/8	5	1 3/16	10	6 5/8	8 5/8	1 5/16	1 1/2	11 1/16	1 1/4	1 1/16	1/4	5/8	
8	32									11 1/16				5/8	
9	66	3/4	6	1 5/16	10 7/16	8 5/8	10 3/4	1 1/4	1 1/2	11 7/16	1 1/4	1 1/4	3/8	3/4	
10	72				12 1/8					1 1/2					
11	66				10 7/16					1 1/16					
12	71	1	6	1 1/4	10 7/16	8 5/8	10 3/4	1 1/4	2	12 1/2	1 1/2	1 5/8	1/2	1 1/16	
13	89				13 3/8					1/2					
14	94	1 1/4	7	1 1/2	13 1/4	8 5/8	10 3/4	1 1/4	3	15 3/8	2	2	5/8	3/8	
15	114	1 1/4			13 3/4					10 3/4				15 3/8	2
16	138	1 1/2	8	1 3/4	16 1/16	8 5/8	11 3/8	1 15/16	3	19 3/16	2 1/2	2 3/8	3/4	2 1/16	
17	168	1 3/4			2					18 1/8				21 1/8	2 5/8
18	331	2	9	2 3/8	18 1/4	12 3/4	15 7/8	2 3/4	4	22 7/8	3	2 7/8	3/4	2 9/16	
19	378	2 1/4			20 1/2					25				3 3/8	2 11/16
20	486	2 1/2			2 7/8					23 3/4				28 1/4	4
21	568	2 3/4	10	3 3/8	27 9/16	12 3/4	16 7/8	3 3/8	4 1/2	31 1/8	4	3 5/8	1	3 11/16	
22	714	3			3 3/8					33 3/8				37 3/4	3 5/8

Fig. B-268, C-268

Spring Hangers (Type D & Type E)

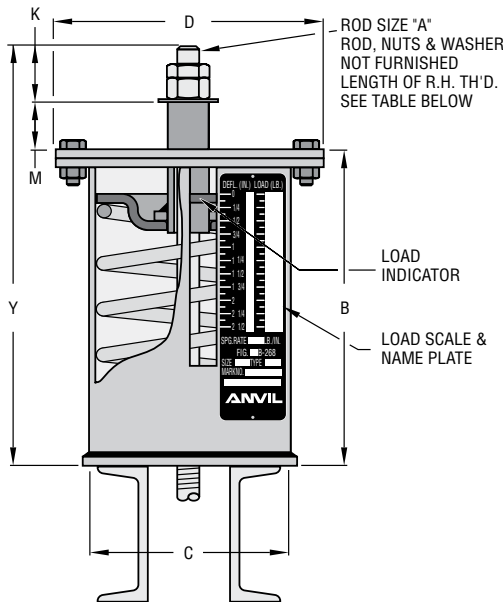


Fig. B-268 Type D

Type D permits adjustment of the hanger from the top. This type has a piece of tubing which passes through a hole in the top cap. Type D is especially adapted for use where the hanger is set above the supporting beams and pipe is suspended below.

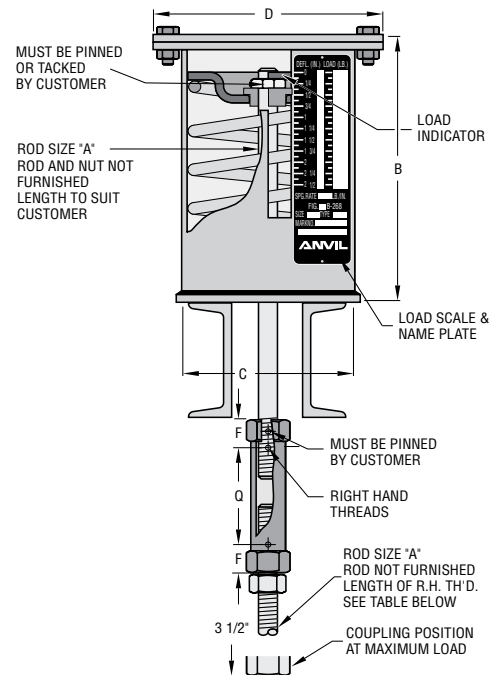


Fig. B-268 Type E

Type E is designed to permit adjustment from either above or below the hanger, when it is installed upon the supporting member and pipe is suspended below. A coupling tapped right hand both ends is furnished.

FIG. B-268, FIG. C-268 TYPE D, E: DIMENSIONS (IN) • WEIGHT (LBS)

Hanger Size	Weight (lbs)	Rod Size A	R.H. Thd Length	Casing Length B	Casing Diam C	Flange Diam D	Min Thread Engagement F	Allowance for Nuts K	Height of Spacer M	Rod Length Y	Rod Take-out Q		
000	5	1/2	5	5 5/8	4	5 1/8	1 3/16	1 1/4	3 3/8	10	6		
00	6			7 9/16						11 3/4			
0	6			6 1 1/16						11 1 1/16			
1	7	1/2	5	7 9/16	4	5 1/8	1 5/16	1 1/4	3 3/8	11 15/16	6		
2	8			8 5/16						12 1 1/16			
3	11			7 1 5/16						11 1 1/16			
4	12	1/2	5	8 5/8	5 9/16	6 15/16	1 5/16	1 1/4	3 3/8	12 5/16	6		
5	14			8 3/8						13			
6	22			8 3 3/16						13 5/16			
7	25	5/8	5	10	6 5/8	8 3/8	1 5/16	1 1/2	3	14 1/4	6		
8	26			14 3/4									
9	51			10 7/16						15 5/8			
10	58	3/4	6	12 1 1/8	8 5/8	10 3/4	1 1/4	1 3/4	3	16 7/8	6		
11	51			10 7/16						14 1 1/16			
12	56			10 7/16						15 1 3/16			
13	73	1	6	10 7/16	8 5/8	10 3/4	1 1/4	2 1/4	3	18 3/8	6		
14	77			13 3/8						19 1/4			
15	88			1 1/4						7		13 3/8	8 5/8
16	107	1 1/2	8	15 1 5/16	11 3/8	1 1 5/16	3 1/2	3	22 9/16				
17	133	1 3/4	9	18					12 3/4	15 7/8	2 3/4	3	
18	262	2	10	18 1/4									12 3/4
19	300	2 1/4	9	20 1/2	12 3/4	16 7/8	3 5/8	3					
20	370	2 1/2	10	23 3/4					12 3/4	16 7/8	3 5/8	3	
21	455	2 3/4	11	27 5/16									12 3/4
22	505	3	11	33 3/8	12 3/4	16 7/8	3 5/8	3					

SPRING HANGERS

Fig. B-268, C-268

Spring Hangers (Type F)

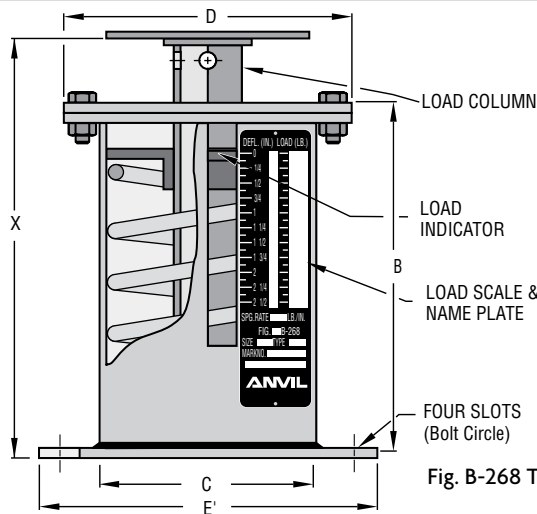
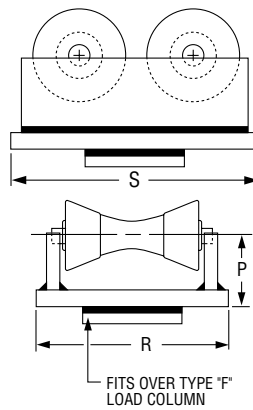


Fig. B-268 Type F



PIPE ROLL: DIMENSIONS (IN), LOAD (LBS)

Roll Size	Roll Mat'l	Max Load	P	R	S
2 - 3½	Cast Iron	780	1¼	4½	4½
4 - 6	Cast Iron	1,900	2⅝	5⅝	5½
8 - 10	Cast Iron	4,200	2¾	8¼	6¾
8 - 10	Steel	14,000	2¾	8¼	6¾
12 - 14	Cast Iron	6,150	3½	10⅝	6¾
12 - 14	Steel	26,000	3½	12	6¾
16 - 20	Cast Iron	9,960	3¾	12	6¾
16 - 20	Steel	34,000	3¾	12	6¾
24	Cast Iron	12,200	4	13¼	7
24	Steel	60,000	4	13¼	10
30	Cast Iron	15,000	4½	16½	8¼
30	Steel	60,000	5	16½	10
36	Cast Iron	24,000	4⅝	19	13
36	Steel	60,000	5	19	12

Type F is for use under a base elbow or piping that must be supported directly from the floor. If more than ¼" of horizontal translation occurs of loads resting on the flat load flange or other flat surface junction between the type F spring hanger and the load, a double roller design pipe roll is recommended. Pipe rolls, as illustrated above, will be furnished on request. For dimension of the pipe roll, refer to Fig. 271, see page 150.

Base type variable springs will be furnished with an extended load column on special order. Guided Load Columns and roller are available on request.

Adjustment to the required load rating is made by inserting a bar into holes provided in the load column and turning the column. The 2" increment between minimum and maximum "X" dimensions is the amount of field adjustment available and is in excess of the amount required for load adjustment.

FIG. B-268, FIG. C-268 TYPE F: DIMENSIONS (IN) • WEIGHT (LBS)

Hanger Size	Weight	Casing Length B	Casing Diam C	Flange Diam D	Bottom Flange Sq. E'	Bottom Flange Bolt Circle		Bottom Flange Bolts	Thickness Bottom Flange	Lengths - X*		Load Col. Diam	Load Flange Diam	Thickness of Load Flange
						Min	Max			Min	Max			
000	11	5⅛	4	5⅝	7½	7	8¾	⅝	¼	7⅞	9⅞	1.9	3⅞	⅜
00	12	7⅝								9⅞	11⅞			
0	12	6¾	4	5⅝	7½	7	8¾	⅝	¼	8¼	10¼	1.9	3⅞	⅜
1	14	7⅝								9⅞	11⅞			
2	15	8⅝	5⅞	6⅝	7½	7	8¾	¾	¼	9⅞	11⅞	2.875	5⅞	⅜
3	23	8								9⅞	11⅞			
4	25	8	5⅞	6⅝	7½	7	8¾	¾	¼	10¼	12¼	2.875	5⅞	⅜
5	26	8⅛								10¼	12¼			
6	40	8⅝	6⅞	8⅞	9	8	10⅞	¾	⅜	10½	12½	3.5	6⅞	¼
7	46	10⅞								11⅞	13⅞			
8	47	10⅞	8⅞	10¾	13¼	10⅞	16½	¾	½	11⅞	13⅞	4.5	8⅞	½
9	91	10⅞								12⅞	14⅞			
10	98	12¼	8⅞	10¾	13¼	10⅞	16½	¾	½	13⅞	15⅞	4.5	8⅞	½
11	90	10⅞								12⅞	14⅞			
12	95	10⅞	8⅞	10¾	13¼	10⅞	16½	¾	½	12⅞	14⅞	4.5	8⅞	½
13	115	13¼								14⅞	16⅞			
14	119	13¼	8⅞	10¾	13¼	10⅞	16½	¾	½	14⅞	16⅞	4.5	8⅞	½
15	130	13¼								14⅞	16⅞			
16	150	15⅝	8⅞	11⅞	13¼	10⅞	16½	¾	½	17⅞	19⅞	2.0	8⅞	½
17	173	18								20	22			
18	343	18¼	12¾	15⅞	17¼	15¼	22	¾	⅝	20⅞	22⅞	2.5	12½	½
19	380	20½								22⅞	24⅞			
20	471	23¾	12¾	16⅞	17¼	15¼	22	¾	⅝	25⅞	27⅞	3.0	12½	½
21	496	27⅞								29⅞	31⅞			
22	654	33⅞	12¾	16⅞	17¼	15¼	22	¾	⅝	35½	37½	3.0	12½	½

*Hanger take-out or installed height. With pipe movement up, cold to hot, installed height should be the mid-point between the minimum and maximum "X" dimension, plus thickness of load flange. With pipe movement down, cold to hot installed height should be mid-point between the minimum and maximum "X" dimension, plus the amount of vertical movement and load flange thickness. Note: Sizes 16" and larger are furnished with a hexagon nut at the top of a solid load column to facilitate adjustment with a wrench.

Fig. B-268, Fig. C-268

Spring Hangers (Type G)

Type G is a complete trapeze assembly. The hanger consists of two standard spring units plus a pair of back-to-back channels welded at each end to the hanger casing. The "P" dimension can be varied with the customer's instructions. In sizing a Type G hanger, it must be remembered that each standard spring unit carries one-half of the total pipe load. Therefore, in using the hanger selection chart, use one-half of the total pipe load as the hot load. When the pipe line is designed so as not to be centered on the channel, one spring of the trapeze will carry a heavier load, the other a lighter load. Care should be taken in calculating the load of each hanger and in choosing the proper sized spring in such cases. The center-to-center rod dimension must be specified when ordering.

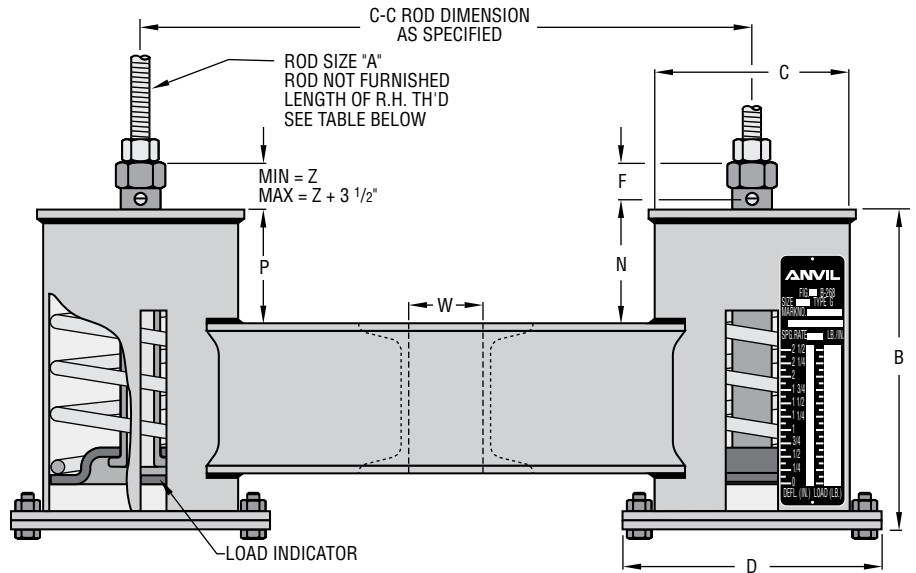


Fig. B-268 Type G

FIG. B-268, C-268 TYPE G: DIMENSIONS (IN) • WEIGHT (LBS)

Hanger Size	Weight*	Rod Size A	R.H. Thread Length	Casing Length B	Casing Dia. C	Flange Dia. D	Min Thread Engagement F	Rod Take Out N	Channel Size (lb/ft)	Max C-C	Space Between Channels W	P	Z
000	24	1/2	5	5 3/8	4	5 1/8	1 5/16	1 3/8	C3 x 4.1	24	5/8	1 1/2	1 3/16
00	26			7 9/16				1 3/4					1 3/16
0	30	1/2	5	6 11/16	4	5 1/8	1 5/16	1 5/16	C3 x 4.1	24	5/8	1 1/2	3/4
1	31			7 9/16				1 9/16					1
2	32			8 5/16				2 1/16					1
3	41	1/2	5	7 15/16	5 9/16	6 15/16	1 5/16	2 7/16	C3 x 4.1	30	3/4	2	1 3/8
4	42			2 7/16				1 1/16					1 1/16
5	43			8 5/8				1 3/4					1 1/16
6	63	5/8	5	8 13/16	6 5/8	8 3/8	1 5/16	1 5/8	C3 x 4.1	36	1	2	9/16
7	69			10				1 11/16					5/8
8	73	3/4	6	10 7/16	8 5/8	10 3/4	1 1/4	2 1/2	C4 x 5.4	36	1 1/4	3	3/4
9	143			12 1/8				3 3/4					1 1/2
10	157			10 7/16				3 7/16					1 11/16
11	145	1	6	10 7/16	8 5/8	10 3/4	1 1/4	3 13/16	C5 x 6.7	36	1 1/2	3	1 1/16
12	157			13 1/8				3 3/4					1 1/2
13	195	1 1/4	7	13 1/4	8 5/8	10 3/4	1 1/4	3 3/8	C6 x 10.5	33	1 1/2	3	3/8
14	203			13 3/4				3 3/8					2 3/8
15	250	1 1/2	8	16 1/16	8 5/8	11 3/8	1 15/16	4 1/8	C8 x 11.5	36	2 1/8	3	2 7/16
16	298			18 1/8				4					1 15/16
17	354	1 3/4	9	18 1/4	12 3/4	15 7/8	2 3/4	4	C12 x 20.7	42	2 5/8	3	2 9/16
18	690			20 1/2				4 1/8					2 5/8
19	783	2 1/4	10	23 3/4	12 3/4	16 7/8	3 5/8	4 1/8	C15 x 33.9	40	2 7/8	3	2 11/16
20	993			27 3/16				4 5/16					3 1/8
21	1,197	2 3/4	11	33 3/8	12 3/4	16 7/8	3 5/8	4 3/8	C15 x 33.9	48	3 3/8	3	3 11/16
22	1,496			3				4 3/8					3 3/8

* Weight based on 24" center-to-center dimension



Fig. 82, C-82

Short Spring Hangers

Fig. 82 Type A

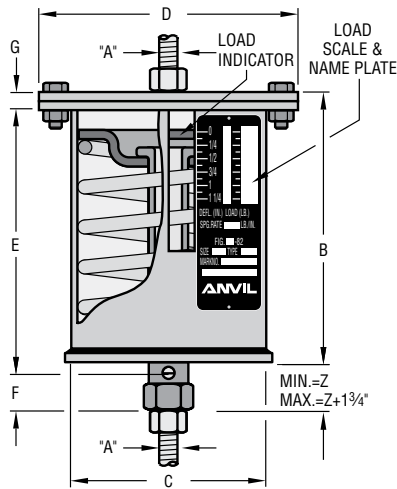


Fig. 82 Type B

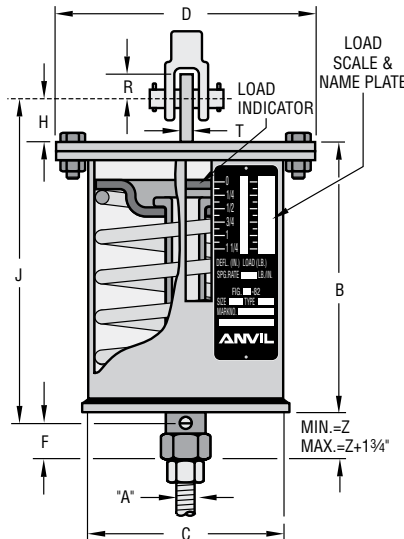


Fig. 82 Type C

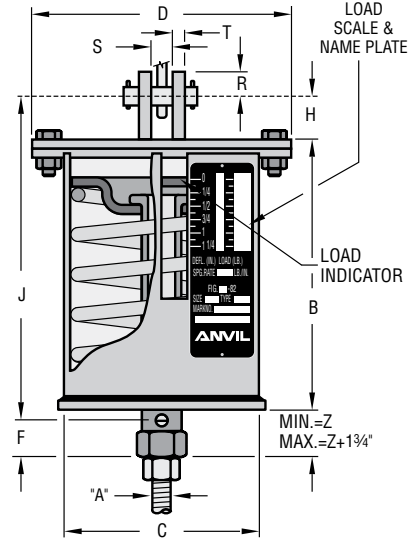


Fig. 82 Type D

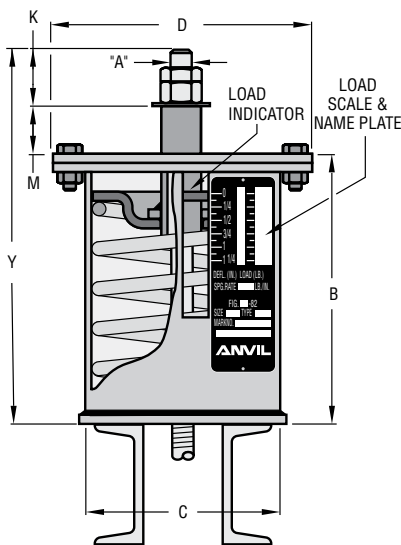


Fig. 82 Type E

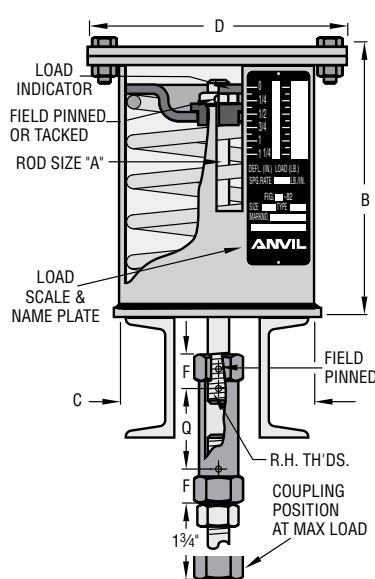


Fig. 82 Type F

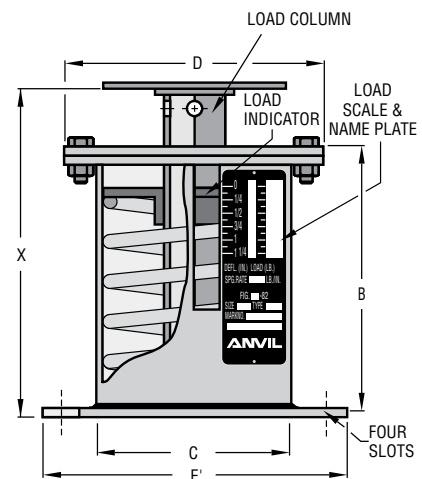
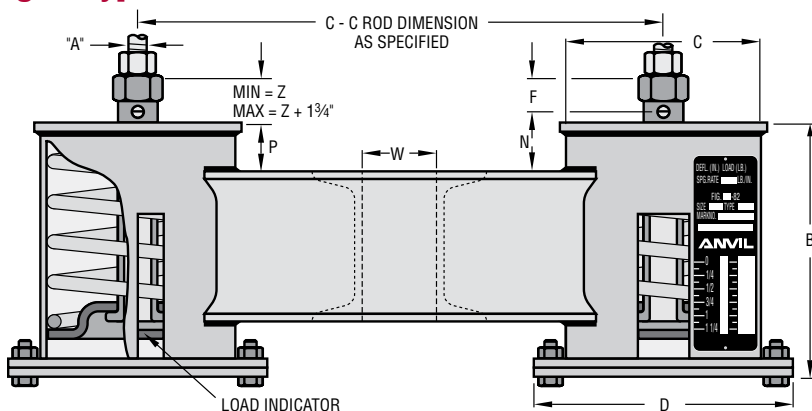


Fig. 82 Type G



The Anvil variable short spring hanger, Fig. 82, embodies all of the Fig. B-268 features and is designed to the same exacting specifications. This is useful in confined areas where thermal movement of the piping is relatively small. The minimum and maximum loads for the individual sizes of the Fig. 82 are exactly the same as those for the Fig. B-268. This hanger is offered in the seven basic types as shown here. The load table and instructions for sizing and ordering this hanger are found on page 162 through 165.

SPRING HANGERS

FIG. 82, C-82 SHORT SPRING: DIMENSIONS (IN) • WEIGHT (LBS)

Hanger Size	Rod Size A	R. H. Thread Length	Casing		Flange Dia. D	Min Thread Engage F	Z	Rod Take Out By Type				Type A Thread Depth G	Types B, C					Type D			
			Length B	Dia. C				A	B,C	E	G		Lug Hole Size	Pin Hgh H	R	Clevs Open-ing S	Thk. T	Rod Length Y	Nut Allow. K	Height Spacer M	
																					E
0							15/16	4 5/16	6 1/4		1							7 1/2			
1	1/2	3	4 3/4	4	5 1/8	15/16	1 1/16	4 1/16	6	2 1/8	3/4	7/16	1 1/16	1 1/2	1 1/4	7/8	1/4	7 3/4	1 1/4	1 3/4	
2			5 3/8				1 1/16	5 1/16	7		1 1/8							8 3/8			
3			5 1/4				9/16	4 7/16	6 3/8		5/8							7 7/8			
4	1/2	3	5 1/4	5 9/16	6 15/16	15/16	1 3/16	5 1/16	7	2 1/8	1 1/4	7/16	1 1/16	1 1/2	1 1/4	7/8	1/4	8 1/4	1 1/4	1 3/4	
5			5 3/8				1 1/16				1 1/8							8 5/8			
6			5 13/16				1 3/16	5 1/16	7 3/16		1 1/8							9 1/16			
7	5/8	3	6 1 1/16	6 5/8	8 3/8	15/16	1 1/16	6 3/16	8 5/16	2 1/8	2 1/8	5/8	1 3/16	1 1/2	1 1/4	1 1/16	1/4	9 11/16	1 1/2	1 3/4	
8							1 3/16	5 5/16	8 1/16		1 1/8							9 15/16			
9			7 1/4				1 1/8	6 1/8	8 5/8		1 1/8							11 1/4			
10	3/4	4	8 1/4	8 5/8	10 3/4	1 1/4	1 3/8	7 3/8	9 7/8	2	2 1/8	1	1 5/16	1 1/2	1 1/4	1 1/4	3/8	11 3/4	1 3/4	1 3/4	
11			7 1/4				1 3/16	6 3/16	8 1 1/16		1 15/16							10 7/16			
12			7 1/4				7/8	6 3/16	8 1 1/16		1 1/8							11 1/4			
13	1	4	8 3/4	8 5/8	10 3/4	1 1/4	1	7 3/8	10 3/8	2	2 3/4	1	1 1/4	2	1 1/2	1 5/8	1/2	12 5/8	2 1/4	1 3/4	
14	1 1/4		8 7/8				3/4	7 3/8	11 3/8		2 1/2		1 1/2	3	2	2	5/8	13 3/8	3		
15	1 1/4	4	8 7/8		10 3/4	1 1/4	3/4	7 3/8	11 3/8	2	2 1/2	1	1 1/2		2	2	5/8	14 1/8	3		
16	1 1/2	5	10 5/8	8 5/8	11 3/8	1 15/16	2	9 5/16	13 11/16	6	1 1/16	1 3/8	1 3/4	3	2 1/2	2 3/8	3/4	15 7/8	3 1/2	1 3/4	
17	1 3/4	6	11 1/8					10 9/16	14 15/16		2 1/16		2			2 5/8		17 5/8	4		
18	2	7	13				2 1/2	10 11/16	16 13/16	6	7/16		2 3/8	4	3	2 7/8	3/4	19 3/16	4 9/16		
19	2 1/4		14	12 3/4	15 7/8	2 3/4	2 3/16	11 3/4	18 3/8	6	1	2 1/4	2 5/8		4 1/2	3 1/8		20 5/8	5	1 3/4	
20	2 1/2	8	16 1/4				2 1/16	14	20 7/8		1 1/8		2 7/8			4	3 3/8	1	23 3/16	5 9/16	
21	2 3/4	9	18	12 3/4	16 7/8	3 5/8	2 3/4	13 5/8	20 7/8	7	3/8	2 3/4	3 1/8	4 1/2	4	3 5/8	1	25	6 1/4	1 1/4	
22	3	10	22 1/4					17 5/8	25 3/8		2 3/8	3	3 3/8	5	4	3 3/8		29 3/8	6 5/8	1 3/4	

Hanger Size	Type F										Type G				Weight						
	E' Bottom Flange		Bottom Flange		Load Col. Dia.	Load Flange		Length X ■		Channel Size (lbs/ft)	Max C-C	Space Between Channels - W	P	Type							
	Size Sq.	Bolt Circle		Bolts		Thick	Dia.	Thick	Min					Max	A,B,C	D,E	F	G*			
		Min	Max																		
0																		6	5	11	27
1	7 1/2	7	8 3/4	5/8	1/4	1.900	3 7/8	3 1/16	6 5/16	6 13/16	C3 x 4.1	24	5/8	3/4				7	6	11	29
2									6 15/16	7 7/16								8	7	12	
3									6 7/8	7 7/8	C3 x 4.1	30	3/4	3/4				11	10	10	33
4	7 1/2	7	8 3/4	3/4	1/4	2.875	5 5/8	3 1/16	7	7 1/2								12	11	20	35
5									7	7 1/2								13	12	21	36
6									7 1/2	8								20	19	33	51
7	9	8	10 7/8	3/4	3/8	3.50	6 3/8	1/4	8 3/8	8 7/8	C3 x 4.1	36	1	3/4				23	22	35	57
8																		24	23	36	59
9									8 15/16	9 15/16								56	52	78	125
10	13 1/4	10 1/16	16 1/2	3/4	1/2	4.50	8 3/8	1/2	9 9/16	10 15/16	C4 x 5.4	36	1 1/4	1				62	58	84	137
11									8 15/16	9 15/16								55	51	76	121
12									8 15/16	9 15/16								58	53	78	132
13	13 1/4	10 1/16	16 1/2	3/4	1/2	4.50	8 3/8	1/2	10 7/16	11 7/16	C5 x 6.7	36	1 1/2	1				69	63	81	154
14									10 9/16	11 9/16		33						72	55	91	159
15									10 9/16	11 9/16	C6 x 10.5		1 1/2					88	79	100	198
16	13 1/4	10 1/16	16 1/2	3/4	1/2	2.00	8 3/8	1/2	12 5/8	13 3/8	C8 x 11.5	36	2 1/8	1				102	91	112	230
17									13 3/8	14 1/8								120	105	126	266
18									15 1/16	16 1/16								259	226	270	
19	17 1/4	15 3/4	22	3/4	5/8	2.50	12 1/2	1/2	16 1/16	17 1/16								286	246	275	
20									18 3/16	19 3/16								350	302	344	
21									20 1/8	21 1/8								401	339	348	
22	17 1/4	15 3/4	22	3/4	5/8	3.00	12 1/2	1/2	24 3/8	25 3/8								490	431	443	

■ Hanger take-out or installed height. With pipe movement up, cold to hot, installed height should be the mid point between the minimum and maximum "X" dimension, plus thickness of load flange. With pipe movement down, cold to hot installed height should be mid-point between the minimum and maximum "X" dimension, plus the amount of vertical movement and load flange thickness. (Type F only).

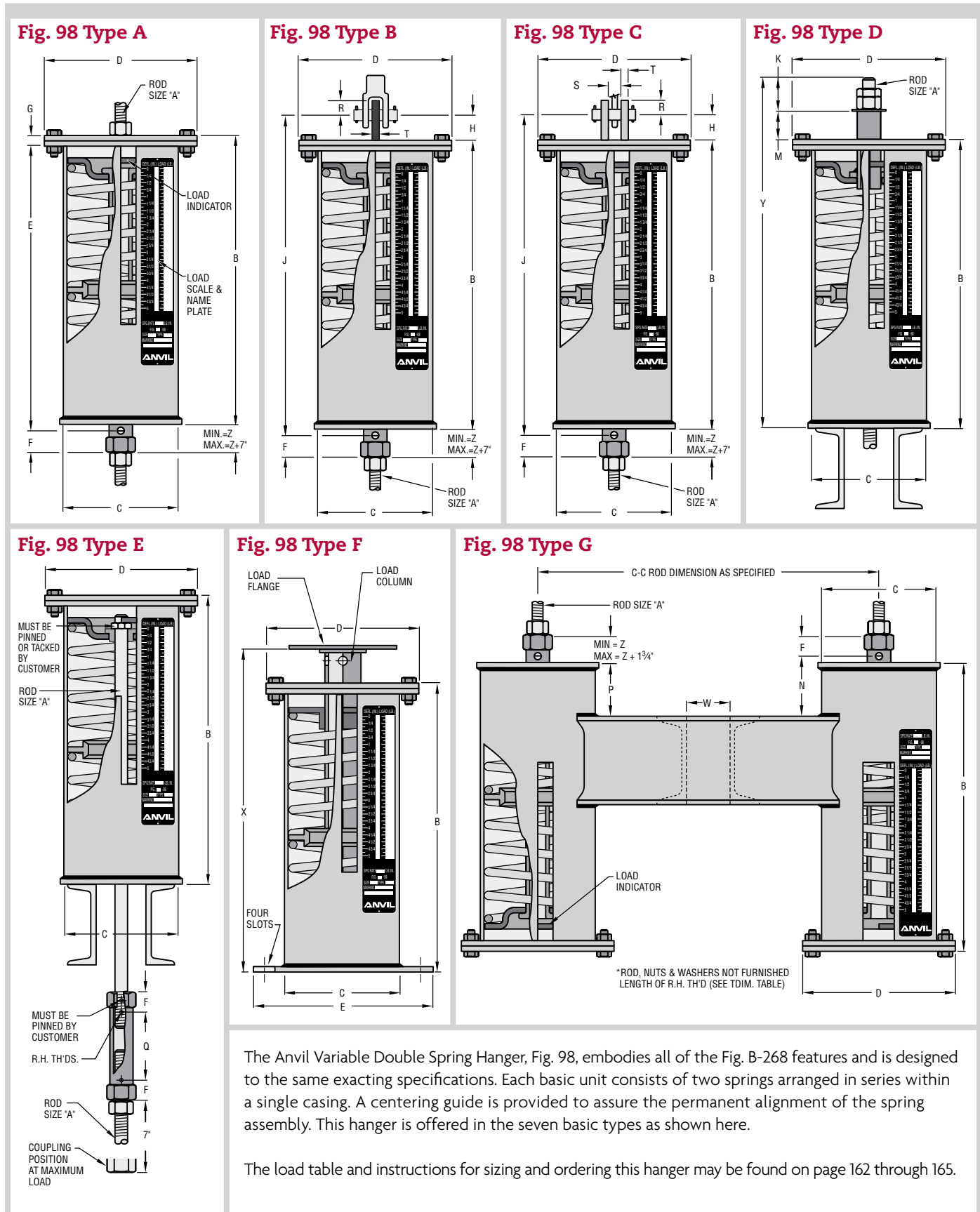
* Weight based on 24" center-to-center dimension. See page 170 for Type F roller and guided load column information. Attachment rods and nuts not furnished.



Stanchions & Supports
Guides & Slides
Pipe Rolls & Saddles
Trapeze
Spring Hangers
Constant Supports
Vibration Control & Sway Brace
Sway Strut Assembly
Snubbers
Special Design Products
Seismic Braces
Seismic Restraints
Technical Data
Index

Fig. 98, C-98

Double Spring



SPRING HANGERS

FIG. 98, C-98 DOUBLE SPRING: DIMENSIONS (IN) • WEIGHT (LBS)

Hanger Size	Rod Size A	R.H. Thread Length	Casing		Flange Dia. D	Min. Thread Engage F	Z	Rod Take Out By Type				Type A	Types B, C					Type D		
			Length B	Dia. C				A	B, C	E	G	Thread Depth G	Lug Hole Size	Pin Hgt H	R	Clev. Opening S	Thk. T	Rod Length Y	Nut Allow. K	Height Spacer M
0			12 ⁵ / ₈				1 ⁵ / ₁₆	12 ³ / ₁₆	14 ¹ / ₈		1 ¹ / ₂							19 ³ / ₈		
1	1/2	9	14 ¹ / ₈	4	5 ¹ / ₈	1 ⁵ / ₁₆	1 ⁵ / ₁₆	13 ¹ / ₁₆	15 ⁷ / ₈	9	1 ¹ / ₂	7/16	1 ¹ / ₁₆	1 ¹ / ₂	1 ¹ / ₄	7/8	1/4	21 ¹ / ₈	1 ¹ / ₄	5 ¹ / ₂
2			15 ⁷ / ₈				1 ¹ / ₁₆	15 ¹ / ₁₆	17 ¹ / ₈		1 ¹ / ₄							22 ¹ / ₂		
3			14				1 ³ / ₁₆	13 ⁷ / ₁₆	15 ³ / ₈		1 ⁷ / ₈							20 ³ / ₄		
4	1/2	9	15 ¹ / ₄	5 ⁹ / ₁₆	6 ¹ / ₁₆	1 ⁵ / ₁₆	1 ³ / ₁₆	15 ³ / ₁₆	17 ⁷ / ₈	9	2 ³ / ₈	7/16	1 ¹ / ₁₆	1 ¹ / ₂	1 ¹ / ₄	7/8	1/4	22	1 ¹ / ₄	5 ¹ / ₂
5			16 ³ / ₈				1 ¹ / ₁₆	15 ¹ / ₁₆	17 ⁷ / ₈		1 ³ / ₄							23 ³ / ₈		
6			16 ¹ / ₁₆				1 ³ / ₁₆	15 ¹ / ₁₆	18 ¹ / ₁₆		1 ⁷ / ₈							23 ¹ / ₁₆		
7	5/8	9	18 ³ / ₈	6 ³ / ₈	8 ³ / ₈	1 ⁵ / ₁₆	1 ¹ / ₈	18 ³ / ₁₆	20 ³ / ₁₆	9	2 ³ / ₁₆	5/8	1 ³ / ₁₆	1 ¹ / ₂	1 ¹ / ₄	1 ¹ / ₁₆	1/4	25 ⁵ / ₈	1 ¹ / ₂	5 ¹ / ₂
8			19 ⁹ / ₁₆				1 ¹ / ₁₆	18 ¹ / ₁₆	20 ¹ / ₁₆		1 ³ / ₄							26 ⁹ / ₁₆		
9			20 ³ / ₁₆				1 ⁵ / ₁₆	18 ⁷ / ₈	21 ³ / ₈		2 ¹ / ₁₆							27 ⁷ / ₁₆		
10	3/4	9	22 ⁵ / ₈	8 ⁵ / ₈	10 ³ / ₄	1 ¹ / ₄	1	21 ³ / ₈	23 ⁷ / ₈	9	2 ³ / ₄	1	1 ⁵ / ₁₆	1 ¹ / ₂	1 ¹ / ₄	1 ¹ / ₄	3/8	29 ⁷ / ₈	1 ³ / ₄	5 ¹ / ₂
11		10	18 ¹ / ₄				7/8	16 ⁷ / ₈	19 ³ / ₈	12	2 ⁵ / ₈							25 ¹ / ₂		
12			19 ¹ / ₂				5/8	17 ⁷ / ₈	20 ⁷ / ₈		3 ³ / ₈							27 ¹ / ₄		
13	1	10	24 ³ / ₄	8 ³ / ₈	10 ³ / ₄	1 ¹ / ₄	3/4	23 ¹ / ₄	26 ¹ / ₄	12	3 ¹ / ₂	1	1 ¹ / ₄	2	1 ¹ / ₂	1 ⁵ / ₈	1/2	32 ³ / ₈	2 ¹ / ₄	5 ¹ / ₂
14	1 ¹ / ₄		24 ⁷ / ₈				1/2	23 ³ / ₈	27 ³ / ₈		3 ¹ / ₄		1 ¹ / ₂	3	2	2	5/8	33 ³ / ₈	3	
15	1 ¹ / ₄	10	24 ⁷ / ₈		10 ³ / ₄		1/2	23 ³ / ₈	27 ³ / ₈	12	3 ¹ / ₄	1	1 ¹ / ₂		2	2	5/8	33 ³ / ₄	3	
16	1 ¹ / ₂	11	29 ⁷ / ₈	8 ³ / ₈		1 ¹ / ₁₆	2	28 ⁹ / ₁₆	32 ¹ / ₁₆	7	4 ¹ / ₁₆	1 ³ / ₈	1 ³ / ₄	3	2 ¹ / ₂	2 ³ / ₈	3/4	38 ⁷ / ₈	3 ¹ / ₂	5 ¹ / ₂
17	1 ³ / ₄	12	34		11 ³ / ₈		2 ¹ / ₈	32 ¹ / ₁₆	37 ³ / ₁₆		4 ³ / ₁₆		2		2 ⁵ / ₈	3/4	43 ¹ / ₂	4		
18	2	12	33 ³ / ₄				2 ¹ / ₁₆	31 ³ / ₈	37 ³ / ₁₆		4 ¹ / ₈		2 ³ / ₈	4	3	2 ⁷ / ₈	3/4	43 ³ / ₁₆	4 ⁹ / ₁₆	
19	2 ¹ / ₄	13	37 ³ / ₄	12 ³ / ₄	15 ⁵ / ₈	2 ³ / ₄	2 ⁹ / ₁₆	35 ¹ / ₂	42 ¹ / ₈	7	4	2 ¹ / ₄	2 ⁵ / ₈	4 ¹ / ₂	3	3 ¹ / ₈	1	48 ¹ / ₈	5	5 ¹ / ₂
20	2 ¹ / ₂	14	44 ¹ / ₄				2 ¹ / ₁₆	42 ¹ / ₈	48 ³ / ₄		4 ¹ / ₈		2 ⁷ / ₈		4	3 ⁵ / ₈	1	55 ³ / ₁₆	5 ⁹ / ₁₆	
21	2 ³ / ₄	14	49 ³ / ₈	12 ³ / ₄	16 ⁷ / ₈	3 ⁵ / ₈	2 ¹ / ₁₆	45 ¹ / ₁₆	52 ¹ / ₁₆	7	3 ⁵ / ₁₆	2 ³ / ₄	3 ¹ / ₈	4 ¹ / ₂	4	3 ⁵ / ₈	1	60 ⁵ / ₈	6 ¹ / ₄	5 ¹ / ₂
22	3	15	62				3 ¹ / ₂	58 ¹ / ₈	66 ³ / ₈		4 ¹ / ₈	3	3 ³ / ₈	5		3 ⁵ / ₈	1	73 ¹ / ₈	6 ⁵ / ₈	

Hanger Size	Type F										Type G			Weight							
	E' Bottom Flange		Bottom Flange		Load Col. Dia.	Load Flange		Length X ■		Channel Size (lbs/ft)	Max C-C	Space Between Channels - W	P	Type							
	Size Sq.	Bolt Circle	Bolts	Thick		Dia.	Thick	Min	Max					A,B,C	D,E	F	G*				
0																		12	12	20	37
1	7 ¹ / ₂	7	8 ³ / ₄	5/8	1/4	1.90	3 ⁷ / ₈	3 ³ / ₁₆	14 ³ / ₁₆	16 ³ / ₁₆	C3 x 4.1	24	5/8	1 ¹ / ₂			14	14	21	41	
2									15 ¹ / ₁₆	17 ¹ / ₁₆							16	16	23	45	
3									15 ⁵ / ₈	17 ⁵ / ₈							22	21	35	55	
4	7 ¹ / ₂	7	8 ³ / ₄	3/4	1/4	2.88	5 ³ / ₄	3 ³ / ₁₆	16 ³ / ₈	18 ⁷ / ₈	C3 x 4.1	30	3/4				25	24	39	61	
5									18 ¹ / ₄	20 ¹ / ₄							27	26	41	65	
6									18 ³ / ₈	20 ³ / ₈							41	40	62	93	
7									20 ⁵ / ₁₆	22 ⁵ / ₁₆							49	48	72	109	
8	9	8	10 ⁷ / ₈	3/4	3/8	3.50	6 ³ / ₈	1/4	21 ¹ / ₄	23 ¹ / ₄	C3 x 4.1	36	1				61	52	75	133	
9									21 ⁷ / ₈	23 ³ / ₈							97	94	136	207	
10	13 ¹ / ₄	10 ¹ / ₁₆	16 ¹ / ₂	3/4	1/2	4.50	8 ³ / ₈	1/2	24 ⁵ / ₁₆	26 ⁵ / ₁₆	C4 x 5.4	36	1 ¹ / ₄				114	108	150	241	
11									19 ¹ / ₁₆	21 ¹ / ₁₆							96	95	134	209	
12									21 ³ / ₁₆	23 ³ / ₁₆							108	104	144	223	
13	13 ¹ / ₄	10 ¹ / ₁₆	16 ¹ / ₂	3/4	1/2	4.50	8 ³ / ₈	1/2	26 ⁷ / ₁₆	28 ⁷ / ₁₆	C5 x 6.7	36	1 ¹ / ₂				144	139	181	305	
14									26 ⁹ / ₁₆	28 ⁹ / ₁₆		33					153	147	188	323	
15						4.50			26 ⁹ / ₁₆	28 ⁹ / ₁₆	C6 x 10.5		1 ¹ / ₂				172	163	201	368	
16	13 ¹ / ₄	10 ¹ / ₁₆	16 ¹ / ₂	3/4	1/2	2.00	8 ³ / ₈	1/2	31 ⁷ / ₈	33 ⁷ / ₈	C8 x 11.5	36	2 ¹ / ₈				218	202	241	462	
17									36	38							273	247	287	572	
18									35 ⁵ / ₁₆	37 ⁵ / ₁₆							512	477	550	1,056	
19	17 ¹ / ₄	15 ³ / ₄	22	3/4	5/8	2.50	12 ¹ / ₂	1/2	39 ¹ / ₁₆	41 ¹ / ₁₆	C12 x 20.7	42	2 ³ / ₈				600	548	624	1,231	
20									46 ⁵ / ₁₆	48 ⁵ / ₁₆		40					802	723	807	1,633	
21									51 ⁷ / ₈	53 ⁷ / ₈							940	845	872	1,965	
22	17 ¹ / ₄	15 ³ / ₄	22	3/4	5/8	3.00	12 ¹ / ₂	1/2	64	66	C15 x 33.9	48	3 ³ / ₈				1,240	1,140	1,184	2,566	

■ Hanger take-out or installed height. With pipe movement up, cold to hot, installed height should be the mid point between the minimum and maximum "X" dimension, plus thickness of load flange. With pipe movement down, cold to hot installed height should be mid-point between the minimum and maximum "X" dimension, plus the amount of vertical movement and load flange thickness. (Type F only).

* Weight based on 24" center-to-center dimension. See page 170 for Type F roller and guided load column information. Attachment rods and nuts not furnished.



Stanchions & Supports
Guides & Slides
Pipe Rolls & Saddles
Trapeze
Spring Hangers
Constant Supports
Vibration Control & Sway Brace
Sway Strut Assembly
Snubbers
Special Design Products
Seismic Braces
Seismic Restraints
Technical Data
Index

SPRING HANGERS

Triple Spring, Triple Spring-GR

Triple Type A

MIN. = Z
MAX. = Z + 10 1/2"
ROD SIZE "A"

Triple Type B

MIN. = Z
MAX. = Z + 10 1/2"
ROD SIZE "A"

Triple Type C

MIN. = Z
MAX. = Z + 10 1/2"
ROD SIZE "A"

Triple Type D

MIN. = Z
MAX. = Z + 10 1/2"
ROD SIZE "A"

Triple Type E

MUST BE PINNED OR TACKED BY CUSTOMER

ROD SIZE "A"

Triple Type F

LOAD FLANGE

LOAD INDICATOR

LOAD SCALE & NAME PLATE

FOUR SLOTS

Triple Type G

C-C ROD DIMENSION AS SPECIFIED NOT TO EXCEED C-C MAX

ROD SIZE "A"

MIN = Z
MAX = Z + 3 1/2"

LOAD INDICATOR

LOAD SCALE & NAME PLATE

Triple Type E (continued)

MUST BE PINNED BY CUSTOMER

R.H. TH'S

ROD SIZE "A"

COUPLING POSITION AT MAXIMUM LOAD

The Anvil Variable Triple Spring Hanger embodies all of the Fig. B-268 features and is designed to the same exacting specifications. Each basic unit consists of three springs arranged in series within a single casing. A centering guide is provided to assure the permanent alignment of the spring assembly. This hanger is offered in the seven basic types as shown here.

The load table and instructions for sizing and ordering this hanger may be found on page 162 through 165.

Triple Spring, Triple Spring-GR

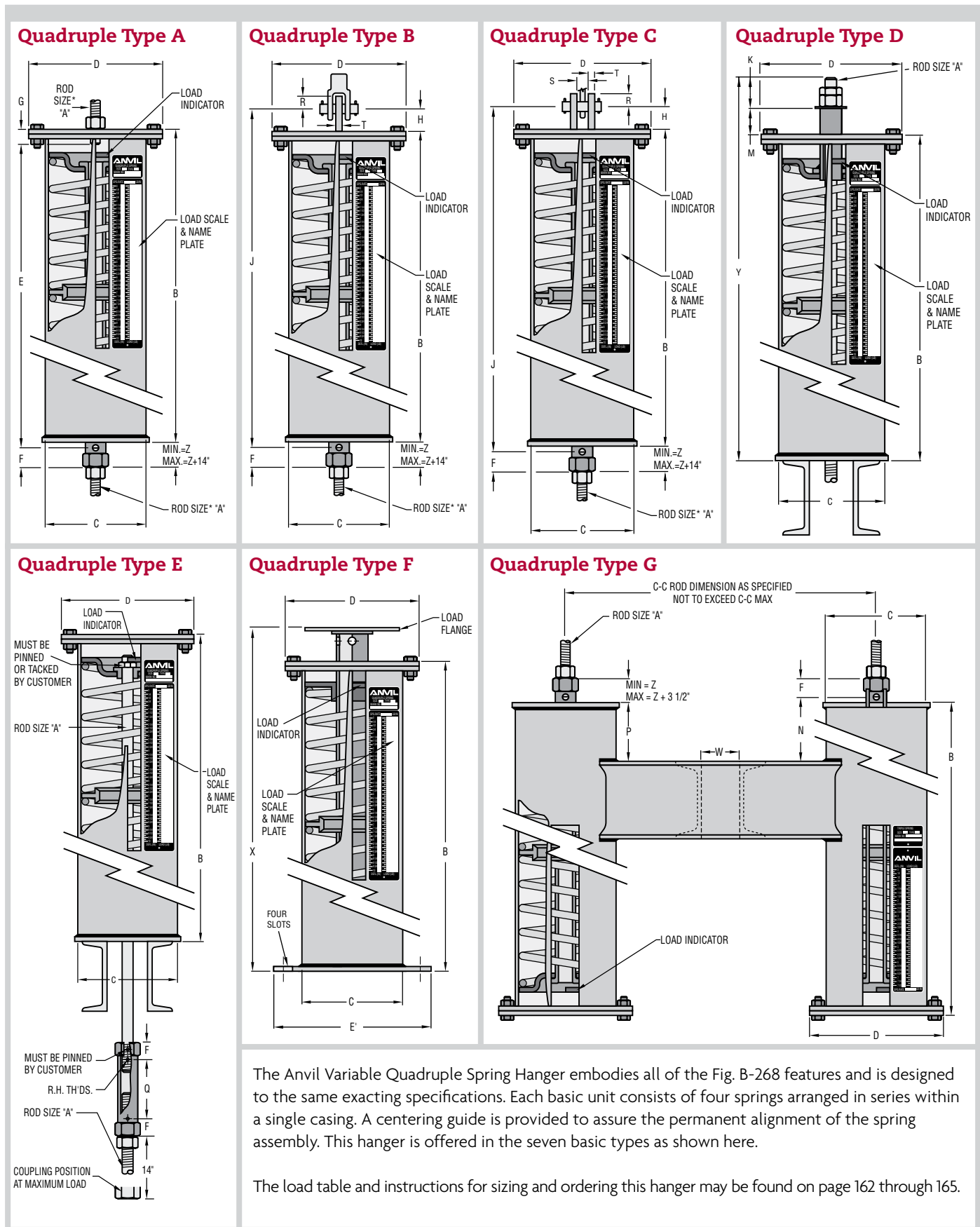
TRIPLE SPRING: DIMENSIONS (IN)																					
Hanger Size	General Dimensions						Rod Take Out For Types					Type A	Type D		Type F		Type G				
	Rod Size A	R.H. Thread Length	Casing Length B	Casing Dia. C	Min Thread F	Z	A	B & C	D	E	G	Depth Thread G	K	M	Loaded Length Dim X		P				
							E	J	Y	Q	N				Min	Max					
0	1/2	12	19 1/8	4	1 5/16	1 5/16	19 1/8	20 5/8	28 1/8	11 1/8	1 1/2	7/16	1 1/4	7 3/4	20 15/16	22 15/16	1 1/2				
1			21 3/4				23 3/4	30 3/4	23 9/16						25 9/16						
2			24				25 1/2	33	25 13/16						27 9/16						
3	1/2	12	21 3/16	5 9/16	1 5/16	1 5/16	21 3/16	22 1 1/16	30 3/16	11 1/8	2	7/16	1 1/4	7 3/4	23	25	2				
4			23 1/16				24 9/16	32 1/16	24 7/8						26 7/8						
5			25 1/8				26 5/8	34 1/8	26 15/16						28 15/16						
6	5/8	12	25	6 5/8	1 5/16	1 5/16	25	26 1/2	34 3/16	11 1/8	2	5/8	1 1/2	7 1 1/16	26 15/16	28 15/16	2				
7			27 15/16				29 1/16	37 1/8	29 7/8						31 7/8						
8			29 5/16				30 13/16	38 1/2	31 1/4						33 1/4						
9	3/4	13	29 9/16	8 5/8	1 1/4	1 1/4	29 9/16	31 1/16	38 7/8	11 1/2	3	1	1 3/4	7 9/16	31 5/8	33 5/8	3				
10			33 1/4				34 3/4	42 9/16	35 5/16						37 5/16						
11			26 11/16				28 3/16	36	28 3/4						30 3/4						
12	1	13	28 9/16	8 5/8	1 1/4	1 1/4	28 9/16	30 9/16	38 3/8	11 1/2	3 7/8	1	2 1/4	7 9/16	30 5/8	32 5/8	4				
13			36 1/4				38 1/4	46 1/16	38 5/16						40 5/16						
14			36 3/4				39 5/8	47 5/16	38 13/16						40 13/16						
15	1 1/4	14	36 5/8	8 5/8	1 3/8	1 1/4	36 5/8	39 1/2	47 3/16	10 9/16	4	1 3/8	3	7 9/16	38 11/16	40 11/16	4				
16	1 1/2	15	44 1/16		1 15/16	1 15/16	44 1/16	47 1/16	54 5/8	11 1/16					4	1 3/8		3 1/2	7 1/16	46 1/8	48 1/8
17	1 3/4		50 1/4		50 1/4	53 1/4	61 5/16	11 9/16	4	4					7 1/16	52 5/16		54 5/16			
18	2	16	49 7/8	12 3/4	2 3/4	2 3/4	49 7/8	53 7/8	60 1 1/16	10 7/8	4	2 1/4	4 9/16	7	51 5/16	53 5/16	4				
19	2 1/4		55 7/8				55 7/8	60 3/8	67 7/8	11 7/16					5	58 1/16		60 1/16			
20	2 1/2		65 5/8				65 5/8	70 7/8	78 3/16	11 15/16					5 9/16	67 13/16		69 13/16			
21	2 3/4	17	73 5/16	12 3/4	3 5/8	3 5/8	73 5/16	76 13/16	87 7/8	11	4	2 3/4	6 1/4	9 5/16	75 7/16	77 7/16	4				
22	3	18	91 1/2				91 1/2	95 1/2	106 7/16	11 1/2					3	6 5/8		93 5/8	95 5/8		

Attachment rods and nuts not furnished.
See page 170 for Type F roller and guided load column information.

See Fig. B-268 for dimensions not listed

SPRING HANGERS

Quadruple Spring, Quadruple Spring-CR



Quadruple Spring, Quadruple Spring-CR

QUADRUPLE SPRING: DIMENSIONS (IN)																			
Hanger Size	General Dimensions						Rod Take Out For Types					Type A	Type D		Type F		Type G		
	Rod Size A	R.H. Thread Length	Casing Length B	Casing Dia. C	Min Thread F	Z	A	B & C	D	E	G	Depth Thread G	K	M	Loaded Length Dim X		P		
							E	J	Y	Q	N				Min	Max			
0	1/2	16	25 1/8	4	1 5/16	1 5/16	25 1/8	26 5/8	37 1/8	15 1/8	1 1/2	7/16	1 1/4	7 3/4	26 15/16	28 15/16	1 1/2		
1			28 5/8				30 1/8	40 5/8	30 7/16						32 7/16				
2			31 1/8				33 1/8	43 3/8	33 3/16						35 7/16				
3	1/2	16	27 7/8	5 9/16	1 5/16	1 5/16	27 7/8	29 3/8	39 7/8	15 1/8	2	7/16	1 1/4	7 3/4	29 11/16	31 11/16	2		
4			30 3/8				31 7/8	42 3/8	32 3/16						34 3/16				
5			33 3/8				34 5/8	45 1/8	34 15/16						36 15/16				
6	5/8	16	32 15/16	6 5/8	1 5/16	1 5/16	32 15/16	34 7/16	45 1/8	15 1/8	2	5/8	1 1/2	7 9/16	34 7/8	36 7/8	2		
7			36 7/8				38 3/8	49 1/16	38 13/16						40 13/16				
8			38 11/16				40 3/16	50 7/8	40 5/8						42 5/8				
9	3/4	16	38 13/16	8 5/8	1 1/4	1 1/4	38 13/16	40 5/16	51 1/8	15 1/2	3	1	1 3/4	7 1/16	40 7/8	42 7/8	3		
10			43 3/4				45 1/4	56 1/16	45 13/16						47 13/16				
11		17	35				35	36 1/2	47 5/16				37 1/16	39 1/16					
12	1	17	37 1/2	8 5/8	1 1/4	1 1/4	37 1/2	39 1/2	50 5/16	15 1/2	3 7/8	1	2 1/4	7 1/16	39 9/16	41 9/16	4		
13			47 3/4				49 3/4	60 9/16	49 13/16						51 13/16				
14			1 1/4				48 3/8	1 3/8	48 3/8				51 1/4	61 15/16	50 7/16	52 7/16			
15	1 1/4	18	48 1/8	8 5/8	1 3/8	1 1/4	48 1/8	51	61 15/16	15 1/2	4	1 3/8	3	7 1/16	50 3/16	52 3/16	4		
16	1 1/2		57 7/8				1 15/16	1 15/16	57 7/8						60 7/8	71 1/16		15 9/16	3 1/2
17	1 3/4		19				66 1/8	66 1/8	69 3/8				80 3/16	15 9/16	4	4		68 3/16	70 3/16
18	2	19	64 1/8	12 3/4	2 3/4	2 3/4	64 1/8	68 1/8	78 11/16	14 7/8	4	2 1/4	4 9/16	7	66 5/16	68 5/16	4		
19	2 1/4		73 1/8				73 1/8	77 5/8	88 1/8	15 7/16					5	75 5/16		77 5/16	
20	2 1/2		20				86 1/8	86 1/8	90 5/8	101 11/16			15 15/16	4	5 9/16	88 5/16		90 5/16	
21	2 3/4	21	95 7/8	12 3/4	3 5/8	3 5/8	95 7/8	99 3/8	113 3/16	15	4	2 3/4	6 1/4	9 5/16	98	100	4		
22	3		120 1/8				124 1/8	138 7/16	15 1/2	3					6 5/8	122 1/4		124 1/4	

Attachment rods and nuts not furnished.
See page 170 for Type F roller and guided load column information.

See Fig. B-268 for dimensions not listed

CONSTANT SUPPORTS

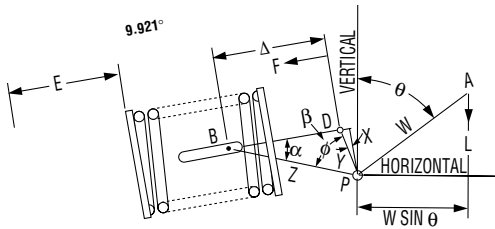
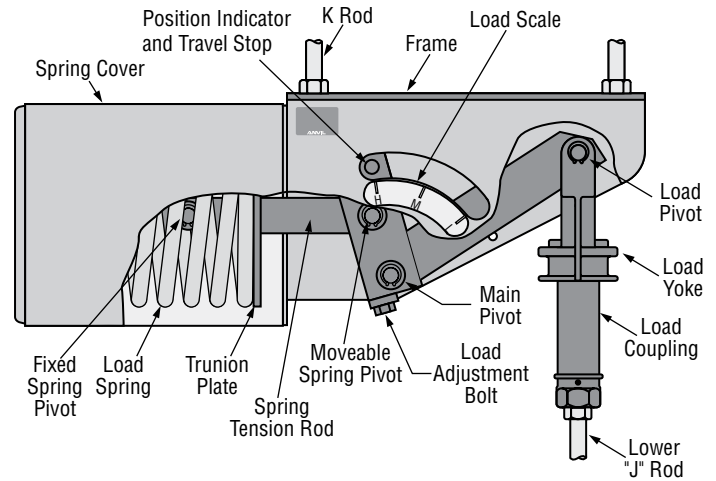
Model R

Mathematically Perfect Pipe Support

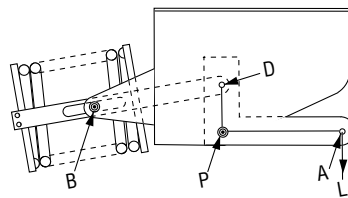
The exclusive geometric design of Anvil Model R Constant Support Hanger assures perfectly constant support through the entire deflection of the pipe load. This counter-balancing of the load and spring moments about the main pivot is obtained by the use of carefully designed compression type load springs, lever, and spring tension rods.

As the lever moves from the high to the low position, the load spring is compressed and the resulting increasing force acting on the decreasing spring moment arm creates a turning moment about the main pivot which is exactly equal and opposite to the turning moment of the load and load moment arm.

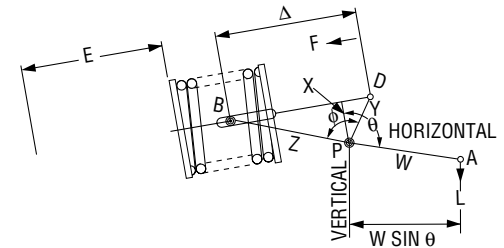
As the lever moves from the low to the high position, the load spring is increasing in length and the resulting decreasing force acting on the increasing spring moment arm creates a turning moment about the main pivot which is exactly equal and opposite to the turning moment of the load and load moment arm.



High Position



Middle Position



Low Position

$$(1) \frac{\sin \alpha}{Y} = \frac{\sin \phi}{\Delta} \quad \sin \beta = \frac{X}{Y}$$

$$\frac{\sin \alpha}{Y} = \frac{\sin \beta}{Z} \quad \sin \alpha = \frac{X}{Z}$$

$$\sin \alpha = \frac{Y \sin \beta}{Z}$$

Substituting in (1), we have (2) $\frac{X}{YZ} = \frac{\sin \phi}{\Delta}$ and (3) $X = \frac{YZ \sin \phi}{\Delta}$

The load "L" is suspended from the lever at point "A" and at any point within the load travel range the moment of the load about the main lever-pivot "P" is equal to the load times its moment arm, thus:

$$(4) \text{Load moment} = L(W \sin \theta), \text{ where } (W \sin \theta) \text{ is the load moment arm}$$

The spring is attached at one of its ends to the fixed pivot "B". The spring's free end is attached by means of a rod to the lever-pivot "D". This spring arrangement provides a spring moment about the main lever-pivot "P" which opposes the load moment and is equal to the spring force "F" times its moment arm; thus:

$$(5) \text{Spring Moment} = F \left(\frac{YZ \sin \phi}{\Delta} \right),$$

where $\left(\frac{YZ \sin \phi}{\Delta} \right)$ is the spring moment arm

The spring force "F" is equal to the spring constant "K" times the spring deflection "E"; thus:

$$(6) F = KE; \text{ Therefore equation (5) may be written as:}$$

$$(7) \text{Spring Moment} = KE \left(\frac{YZ \sin \phi}{\Delta} \right)$$

To obtain perfect constant support the load moment must always equal the spring moment. Therefore:

$$(8) LW \sin \phi = \left(\frac{KEYZ \sin \phi}{\Delta} \right)$$

By proper design "phi" and "theta" are made equal. Therefore, equation (8) maybe written as:

$$(9) LW = \left(\frac{KEYZ}{\Delta} \right)$$

The spring and the rod are so arranged that the spring deflection "E" always equals the distance "Delta" between pivots "B" and "D". Therefore, equation (9) may be written as:

$$(10) LW = KYZ \text{ or, } (11) L = (KYZ)/W$$

Since equation (11) holds true for all positions of the load within its travel range and "K", "Y", "Z", and "W" remain constant it is therefore true that perfect constant support is obtained.

Model R Fig. 80-V, C-80-V Vertical Constant Support Model R Fig. 81-H, C-81-H Horizontal Constant Support



Model R Fig. 80-V, Vertical

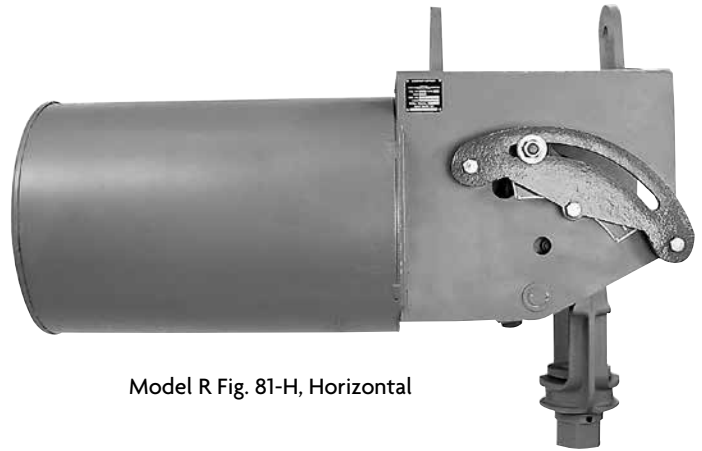
Finish: Standard finish; painted with semi gloss primer. Corrosion resistant; galvanized with coated coil or painted with CZ11 and coated coil.

Recommended Service: When piping stress is critical and pipe is subject to vertical movement in excess of 1/2" due to thermal expansion, and also at locations where it is necessary to avoid any transfer of stress from support or onto critical terminals or connecting equipment.

Approvals: WW-H-171E (Types 52, 58 and 59), ANSI/MSS SP-69 and MSS SP-58 (Types 54, 55 and 56).

Features:

- Because of exclusive geometric design, mathematically perfect constancy of support is maintained throughout the full range of load adjustment.
- Compactness – design provides smaller and more versatile units.
- Increased load and travel capacity.
- Each hanger is individually calibrated before shipment to support the exact load specified.
- All model R constant supports have a wide range of load adjustability. No less than 10% of this adjustability is provided either side of the calibrated load.
- White button marked "C" denotes cold setting of hanger; red button marked "H" denotes hot or operating setting.
- Field load adjustment is made by turning the single load adjustment bolt.
- Covered spring provides protection and good appearance.
- J-rod swings at least 4° from vertical.
- Non-resonant to all vertical vibrations.



Model R Fig. 81-H, Horizontal

Size Range: Anvil Model R constant support hangers are made in two basic designs, 80- V (vertical design) and 81-H (horizontal design). Combined, the 80-V and 81-H constant supports are made in nine different frame sizes and 110 spring sizes to accommodate travels from 1 1/2" to 20" and loads from 27 lbs to 87,500 lbs.

Single rod suspension: Available in Types A, B and C, Fig. 80-V (see page 188 through 190) and Fig. 81-H (see page 196 through 198).

How to select hanger sizes: Determine the total load to be supported by the hanger as well as the actual travel – that is, the actual vertical movement of the pipe at the point of hanger location. Refer to the Load-Travel table for constant support hangers (see page 184 through 187) and select a size hanger which will accommodate the known load and actual travel. It must be noted that the travel shown in the table is a total travel – that is, the maximum vertical movement which the hanger will accommodate. The total travel of the hanger should always be greater than the calculated travel of pipe line to allow for some discrepancy between calculated travel and actual travel.

It is suggested that the total travel for constant supports should be equal to "actual travel" plus 1" or 20% whichever is greater.

How to determine type: After the size of the constant support is determined, consideration of available room for suspending the pipe and hanger will indicate whether a vertical (80-V series, page 188 - 195) or horizontal (81-H series, page 196 - 202) hanger is desirable.

How to determine design: After the hanger size and design are determined, the type of constant support to be used depends upon the physical installation required by the suspension problem, i.e., whether the hanger is to be installed above, between or below steel members (see line cuts referring to Types A, B, C, etc.). It will be noted that the Type F is made in horizontal design only and the type G is made in the vertical design only. **Special constant support hangers can be fabricated for unusual conditions.**

J-rod and K-hole diameter: Tapping or drilling for standard rod size will be furnished as shown in the J-rod and K-hole selection charts unless otherwise specified. Upper attachments, turnbuckles and clamps should be tapped to agree with the rod as shown in the selection chart. Standard rod diameters are based on the load to be carried by the upper rod which includes the weight of the hanger assembly as well as the pipe line. Tapped connections for hanger rod sizes 3" and smaller are UNC-Thread Series, Class 2 fit. 3 1/4" and large rod tappings are 8UN Series Threads.

Model R

(Continued)

Ordering: Specify:

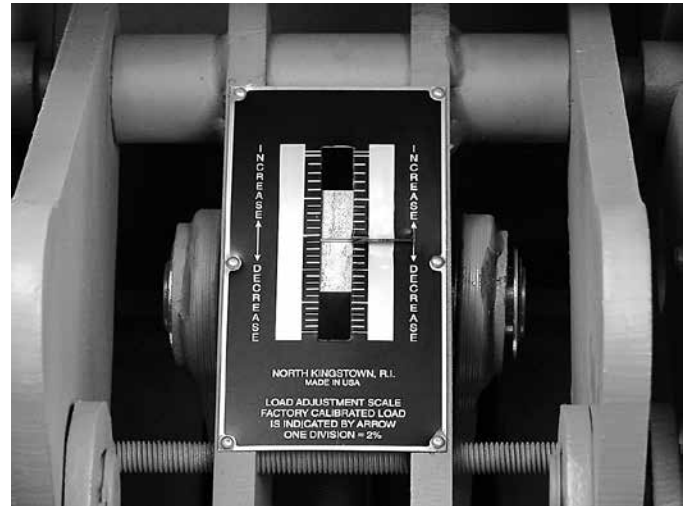
- (1) Hanger size number
- (2) Figure number
- (3) Type
- (4) Name of hanger
- (5) Loads to be supported (pounds)
- (6) Total travel (inches)
- (7) Actual travel (inches)
- (8) Direction of movement "cold to hot"
- (9) Customer's hanger mark.
- (10) When ordering Type G, specify C-C rod dimension as well as load per spring and total load.
- (11) For Types A, B, C, Fig. 81-H when required specify "for single rod suspension."
- (12) Constant Support Hangers are also available corrosion-resistant as figures C-80-V and C-81-H.

Installation:

- (1) Securely attach the hanger to the building structure at a point where the load coupling is directly over the desired point of attachment to the pipe in the operating position.
- (2) Make certain that the moving parts of the hanger will be unobstructed.
- (3) Attach the lower J-rod between the pipe attachment and the load coupling. Make certain that the lower J-rod has enough thread engagement before taking up the load. A sight hole is provided for this.
- (4) Turn the load coupling, as you would a turnbuckle, until the travel indicator rotates to the desired cold setting (white button) marked "C" indicated on the position scale. If the constant support incorporates a travel stop see below.
- (5) After the line is in operation, check hanger for indicated hot setting. If necessary, make adjustment by turning the load coupling to bring the indicator to the hot position (red button) marked "H". No other adjustment is normally required since the load as calibrated at the factory is equal to the load specified to be supported.

Adjustment: When the hanger is installed, its supporting force should be in balance with the portion of the piping weight assigned to it. Each hanger is individually calibrated before shipment to support the exact load specified. All model "R" Constant Supports have a wide range of load adjustability. Special instructions for field recalibration of individual hangers may be obtained from Anvil representatives. No less than 10% adjustability is provided either side of the calibrated load for plus or minus field load adjustment. The percentage increase or decrease from the factory calibrated load should be carefully calculated. The calibrated load setting of each hanger is indicated by a die-stamp on the load adjustment scale. Load adjustments should be made from this reference point, with each division on the patented scale equal to 2% except sizes 84-110 where each division is valued at 1%. The load adjustment is made by turning the single load adjustment bolt. For example, a calibrated load of 3,000 pounds revised to 2,760 pounds is a decrease of 240 pounds. $240/3,000 = 8\%$. By turning the load adjusting bolt the arrow moves in the "Decrease" direction four divisions.

Note: Field Recalibration of load does not decrease total travel.



Load adjustment scale shown applies to size 1 through 83 only. The load adjustment scale for sizes 84 through 110 1 division equals 1%.

Travel stop: The functional design of the Constant Support Hanger permits the incorporation of a travel stop that will lock the hanger against upward or downward movement for temporary conditions of underload or overload, such as may exist during erection, hydrostatic test or chemical clean-out. Anvil Constant Supports are designed for hydrostatic test load of at least 2 times the normal operating load for the Constant Support. The travel stop for sizes 19 - 110 consists of two plates, with matched serrations, attached to the hanger frame with two or more cap screws and with a socketed piece which engages the position indicator. It is installed at the factory to hold the hanger in the "cold" position. A series of serrations can be engaged to lock the hanger at any position along the total travel range. The travel stop, which is furnished only when specified, is painted red. The stop must be removed before the piping system is put into operation, but not before the hanger is installed and fully loaded. The travel stop is released by removing the cap screws. A tag marked "Caution" and containing instructions for removal of the travel stop is attached to the hanger.

Note: See installation procedures PE-217-80 for a travel stop description on sizes 1-18.



Model R

(Continued)

Model R lifting lugs:

To help alleviate the problem of lifting large size Constant Supports into position for installation, this product is available with lifting lugs (if requested) on sizes ten and larger.

Lifting Lugs (Figure 81-H): Not available on Type F.

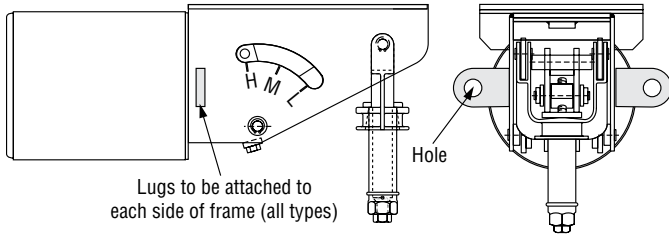
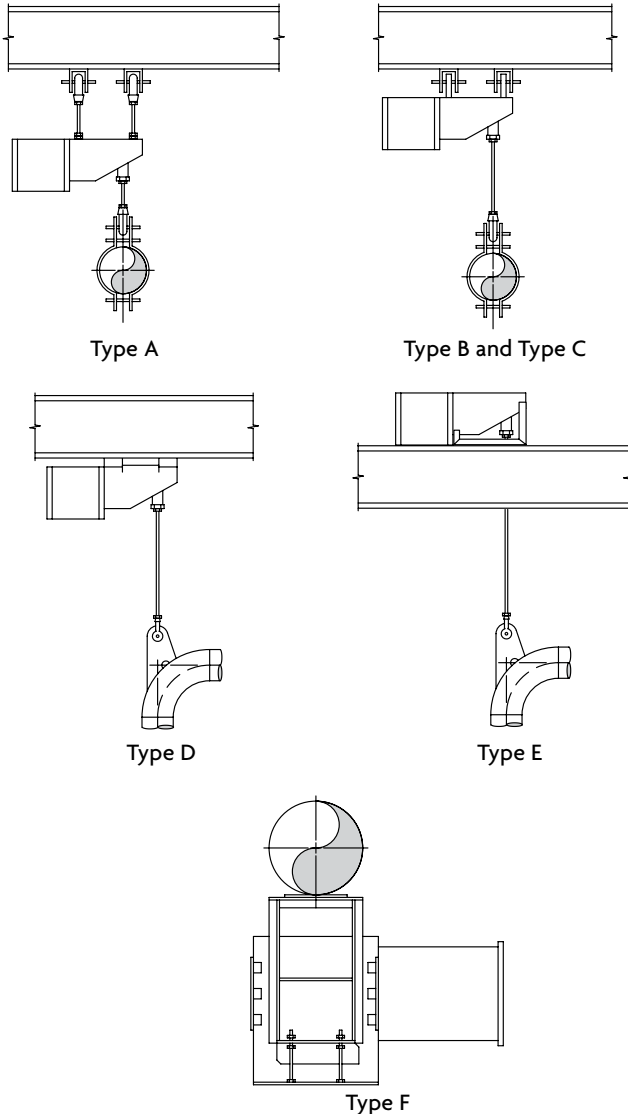
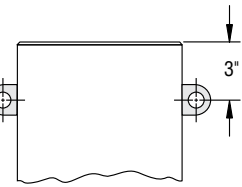


Fig. 81-H (Horizontal): Typical Applications

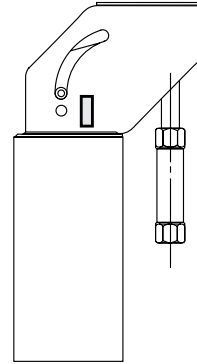


Lifting Lugs (Fig 80-V):

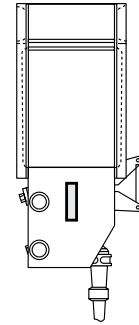
LUGS TO BE 90° FROM CHANNEL ON TYPE D



Types A, B, C, D, & E
sizes 10 thru 63

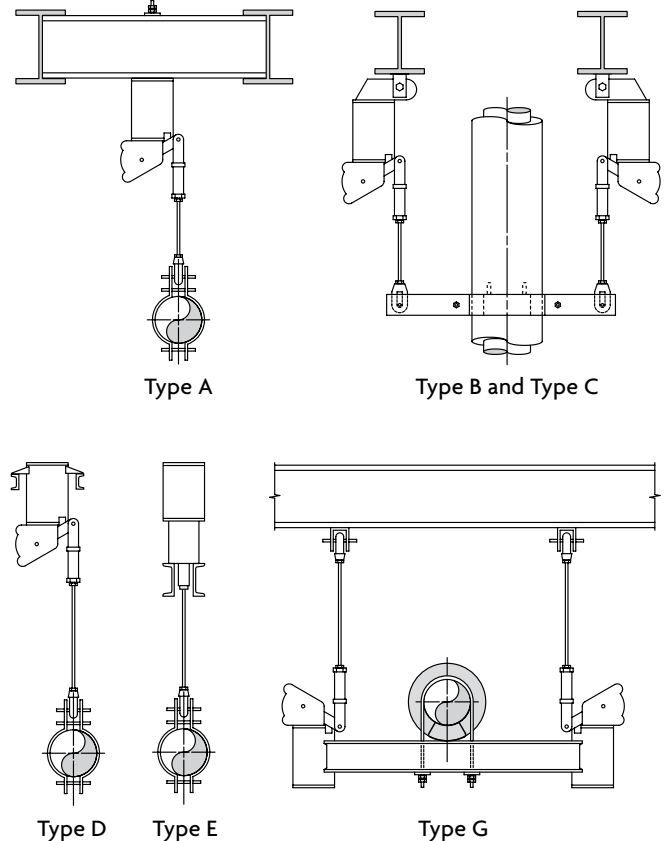


sizes 84 thru 110



sizes 64 thru 83
Lugs to be attached to each side of frame and will need stabilizing rigging when being lifted

Fig. 80V (Vertical): Typical Applications



CONSTANT SUPPORTS

Hanger Size No.	TOTAL TRAVEL* (IN); LOAD (LBS) SEE NOTES ON PAGE 187														
	1½	2	2½	3	3½	4	4½	5	5½	6	6½	7	7½	8	8½
1	144	108	86	72	62	54	48	43	39	36	33	31	29	27	
	173	130	104	87	74	65	58	52	47	43	40	37	35	33	
2	204	153	122	102	87	77	68	61	56	51	47	44	41	38	
3	233	175	140	117	100	88	78	70	64	58	54	50	47	44	
4	280	210	168	140	120	105	93	84	76	70	65	60	56	53	
5	327	245	196	163	140	123	109	98	89	82	75	70	65	61	
6	373	280	224	187	160	140	124	112	102	93	86	80	75	70	
7	451	338	270	225	193	169	150	135	123	113	104	97	90	85	
8	527	395	316	263	226	198	176	158	144	132	122	113	105	99	
9	600	450	360	300	257	225	200	180	164	150	138	129	120	113	
10	727	545	436	363	311	273	242	218	198	182	168	156	145	136	
11	851	638	510	425	365	319	284	255	232	213	196	182	170	160	
12	977	733	586	489	419	367	326	293	267	244	226	209	195	183	
13	1,177	883	706	589	505	442	392	353	321	294	272	252	235	221	
14	1,373	1,030	824	687	589	515	458	412	375	343	317	294	275	258	
15	1,573	1,180	944	787	674	590	524	472	429	393	363	337	315	295	
16	1,893	1,420	1,136	947	811	710	631	568	516	473	437	406	379	355	
17	2,217	1,663	1,330	1,109	950	832	739	665	605	554	512	475	443	416	
18	2,540	1,905	1,524	1,270	1,089	953	847	762	693	635	586	544	508	476	
19		2,025	1,620	1,350	1,157	1,013	900	810	736	675	623	579	540	506	448
															476
20		2,145	1,716	1,430	1,226	1,073	953	858	780	715	660	613	572	536	505
21		2,335	1,868	1,557	1,334	1,168	1,038	934	849	778	718	667	623	584	549
22		2,525	2,020	1,683	1,443	1,263	1,122	1,010	918	842	777	721	673	631	594
23		2,710	2,168	1,807	1,549	1,355	1,204	1,080	985	903	834	775	723	678	638
24		2,910	2,328	1,940	1,663	1,455	1,293	1,164	1,058	970	895	831	776	728	685
25		3,110	2,488	2,073	1,777	1,555	1,382	1,244	1,131	1,037	957	889	829	778	732
26		3,310	2,648	2,207	1,891	1,655	1,471	1,324	1,204	1,103	1,018	946	883	828	779
27		3,630	2,904	2,420	2,074	1,815	1,613	1,452	1,320	1,210	1,117	1,037	968	908	854
28		3,950	3,160	2,633	2,257	1,975	1,756	1,580	1,436	1,317	1,215	1,129	1,053	988	929
29		4,270	3,416	2,847	2,440	2,135	1,898	1,708	1,553	1,423	1,314	1,220	1,139	1,068	1,005
30		4,535	3,628	3,023	2,591	2,268	2,016	1,814	1,649	1,512	1,395	1,296	1,209	1,134	1,067
31		4,795	3,836	3,197	2,740	2,398	2,131	1,918	1,744	1,598	1,475	1,370	1,279	1,199	1,128
32		5,060	4,048	3,373	2,891	2,530	2,249	2,024	1,840	1,687	1,557	1,446	1,349	1,265	1,191
33		5,295	4,236	3,530	3,026	2,648	2,353	2,118	1,925	1,765	1,629	1,513	1,412	1,324	1,246
34		5,525	4,420	3,683	3,157	2,763	2,456	2,210	2,009	1,842	1,700	1,579	1,473	1,381	1,300
35			4,696	3,913	3,354	2,935	2,609	2,348	2,135	1,957	1,806	1,677	1,565	1,468	1,381
36			4,968	4,140	3,549	3,105	2,760	2,484	2,258	2,070	1,911	1,774	1,656	1,553	1,461
37			5,240	4,367	3,743	3,275	2,911	2,620	2,382	2,183	2,015	1,871	1,747	1,638	1,541
38			5,616	4,680	4,011	3,510	3,120	2,808	2,553	2,340	2,160	2,006	1,872	1,755	1,652
39			5,988	4,990	4,277	3,743	3,327	2,994	2,722	2,495	2,303	2,139	1,996	1,871	1,761
40			6,360	5,300	4,543	3,975	3,533	3,180	2,891	2,650	2,446	2,271	2,120	1,988	1,871
41			6,976	5,813	4,983	4,360	3,876	3,488	3,171	2,907	2,683	2,491	2,325	2,180	2,052
42			7,588	6,323	5,420	4,743	4,216	3,794	3,449	3,162	2,919	2,710	2,529	2,371	2,232
43			8,200	6,833	5,857	5,125	4,556	4,100	3,727	3,417	3,154	2,929	2,733	2,563	2,412
44			8,724	7,270	6,231	5,453	4,847	4,362	3,965	3,635	3,355	3,116	2,908	2,726	2,566
45			9,284	7,737	6,631	5,803	5,158	4,642	4,220	3,868	3,571	3,316	3,095	2,901	2,731
46			9,760	8,133	6,971	6,100	5,422	4,880	4,436	4,067	3,754	3,486	3,253	3,050	2,871
47			10,376	8,647	7,411	6,485	5,764	5,188	4,716	4,323	3,991	3,706	3,459	3,243	3,052
48			10,988	9,157	7,848	6,868	6,104	5,494	4,995	4,578	4,226	3,924	3,663	3,434	3,232
49			11,600	9,667	8,286	7,250	6,444	5,800	5,273	4,833	4,462	4,143	3,867	3,625	3,412
50				10,367	8,886	7,775	6,911	6,220	5,655	5,183	4,785	4,443	4,147	3,888	3,659
51				11,067	9,486	8,300	7,378	6,640	6,036	5,533	5,108	4,743	4,427	4,150	3,906
52				11,847	10,154	8,885	7,898	7,108	6,462	5,923	5,468	5,077	4,739	4,443	4,181
53				12,623	10,820	9,468	8,415	7,574	6,886	6,311	5,826	5,410	5,049	4,734	4,455
54				13,400	11,486	10,050	8,933	8,040	7,309	6,700	6,185	5,743	5,360	5,025	4,730
55				14,713	12,611	11,035	9,809	8,828	8,026	7,356	6,791	6,306	5,885	5,518	5,193
56				16,023	13,734	12,018	10,682	9,614	8,740	8,011	7,396	6,867	6,409	6,009	5,655
57				17,333	14,857	13,000	11,555	10,400	9,455	8,666	8,000	7,429	6,933	6,500	6,118
58				18,423	15,791	13,818	12,282	11,054	10,049	9,211	8,503	7,896	7,369	6,809	6,503
59				19,510	16,723	14,633	13,007	11,706	10,642	9,755	9,005	8,362	7,804	7,316	6,886
60				20,600	17,657	15,450	13,733	12,360	11,236	10,300	9,508	8,829	8,240	7,725	7,271
61				21,890	18,763	16,418	14,593	13,134	11,940	10,945	10,103	9,382	8,756	8,209	7,726
62				23,176	19,665	17,383	15,451	13,906	12,642	11,588	10,697	9,933	9,270	8,691	8,180
63				24,463	20,968	18,348	16,309	14,678	13,344	12,231	11,291	10,484	9,785	9,174	8,634
"B" (avg. in.)	1⅜	1⅞	2¼	2¾	3¼	3⅝	4⅞	4⅝	5⅞	5½	6	6½	6⅞	7⅞	7⅞

Table Continued on Facing Page

Shading in gray indicates this item is available upon request.



CONSTANT SUPPORTS

Table Continued on Facing Page

Hanger Size No.	TOTAL TRAVEL* (IN); LOAD (LBS) SEE NOTES ON PAGE 187														
	9	9½	10	10½	11	11½	12	12½	13	13½	14	14½	15	15½	16
1															
2															
3															
4															
5															
6															
7															
8															
9															
10															
11															
12															
13															
14															
15															
16															
17															
18															
19	423	401	381												
	450	426	405												
20	477	452	429												
21	519	492	467												
22	561	532	505												
23	602	571	542												
24	647	613	582												
25	691	655	622												
26	736	697	662												
27	807	764	726												
28	878	832	790												
29	949	899	854												
30	1,008	955	907												
31	1,066	1,009	959												
32	1,124	1,065	1,012												
33	1,177	1,115	1,059												
34	1,228	1,163	1,105												
35	1,304	1,236	1,174	1,053	1,005	962	922	885	851	819	790				
				1,118	1,067	1,021	978	939	903	870	838				
36	1,380	1,307	1,242	1,183	1,129	1,080	1,035	994	955	920	887				
37	1,456	1,379	1,310	1,248	1,191	1,139	1,092	1,048	1,008	970	936				
38	1,560	1,478	1,404	1,337	1,276	1,221	1,170	1,123	1,080	1,040	1,003				
39	1,663	1,576	1,497	1,426	1,361	1,302	1,247	1,198	1,151	1,109	1,069				
40	1,767	1,674	1,590	1,514	1,445	1,383	1,325	1,272	1,223	1,178	1,136				
41	1,938	1,836	1,744	1,661	1,585	1,516	1,453	1,395	1,341	1,292	1,246				
42	2,108	1,997	1,897	1,807	1,724	1,649	1,581	1,518	1,459	1,405	1,355				
43	2,278	2,158	2,050	1,952	1,863	1,782	1,708	1,640	1,577	1,518	1,464				
44	2,423	2,296	2,181	2,077	1,983	1,896	1,817	1,745	1,678	1,615	1,558				
45	2,579	2,443	2,321	2,210	2,110	2,018	1,934	1,857	1,785	1,719	1,658				
46	2,711	2,568	2,440	2,324	2,218	2,122	2,033	1,952	1,877	1,807	1,743				
47	2,882	2,730	2,594	2,470	2,358	2,255	2,162	2,075	1,995	1,921	1,853				
48	3,052	2,891	2,747	2,616	2,497	2,389	2,289	2,198	2,113	2,035	1,962				
49	3,222	3,053	2,900	2,762	2,636	2,522	2,417	2,320	2,231	2,148	2,071				
50	3,456	3,274	3,110	2,962	2,827	2,704	2,592	2,488	2,392	2,304	2,221	2,001	1,934	1,871	1,813
												2,145	2,073	2,006	1,944
51	3,689	3,495	3,320	3,162	3,018	2,887	2,767	2,656	2,554	2,459	2,371	2,289	2,213	2,142	2,075
52	3,949	3,741	3,554	3,384	3,231	3,090	2,962	2,843	2,734	2,632	2,538	2,451	2,369	2,293	2,221
53	4,208	3,986	3,787	3,606	3,442	3,293	3,156	3,030	2,913	2,805	2,705	2,612	2,524	2,443	2,367
54	4,467	4,231	4,020	3,828	3,654	3,495	3,350	3,216	3,092	2,978	2,871	2,772	2,680	2,593	2,513
55	4,904	4,646	4,414	4,203	4,012	3,838	3,678	3,531	3,395	3,269	3,152	3,044	2,942	2,847	2,759
56	5,341	5,060	4,807	4,518	4,370	4,180	4,006	3,846	3,698	3,561	3,433	3,315	3,204	3,101	3,004
57	5,778	5,474	5,200	4,952	4,727	4,521	4,333	4,160	4,000	3,852	3,714	3,586	3,466	3,355	3,250
58	6,141	5,818	5,527	5,263	5,024	4,806	4,606	4,422	4,251	4,094	3,947	3,811	3,684	3,565	3,454
59	6,503	6,161	5,853	5,574	5,320	5,089	4,877	4,682	4,502	4,335	4,180	4,036	3,902	3,776	3,658
60	6,867	6,505	6,180	5,885	5,618	5,374	5,150	4,944	4,754	4,578	4,414	4,262	4,120	3,987	3,863
61	7,297	6,912	6,567	6,254	5,969	5,710	5,472	5,254	5,051	4,864	4,690	4,529	4,378	4,236	4,104
62	7,725	7,319	6,953	6,621	6,320	6,046	5,794	5,562	5,348	5,150	4,965	4,795	4,635	4,485	4,346
63	8,154	7,725	7,339	6,989	6,671	6,381	6,116	5,871	5,645	5,436	5,242	5,061	4,892	4,734	4,587
"B" (avg. in.)	8¼	8¾	9¼	9⅝	10⅞	10⅝	11	11½	12	12⅜	12⅞	13⅜	13⅞	14¼	14¾

Shading in gray indicates this item is available upon request.



CONSTANT SUPPORTS

Hanger Size No.	TOTAL TRAVEL* (IN); LOAD (LBS) SEE NOTES ON PAGE 187																
	4	4½	5	5½	6	6½	7	7½	8	8½	9	9½	10	10½	11	11½	12
64	19,225	17,089	15,380	13,982	12,816	11,831	10,986	10,253	9,613	9,047	8,544	8,094	7,690	7,323	6,990	6,686	6,408
65	20,100	17,866	16,080	14,618	13,400	12,370	11,486	10,720	10,050	9,459	8,933	8,463	8,040	7,657	7,308	6,991	6,700
66	22,068	19,615	17,654	16,049	14,711	13,580	12,610	11,769	11,034	10,385	9,808	9,291	8,827	8,406	8,024	7,675	7,356
67	24,033	21,362	19,226	17,478	16,021	14,790	13,733	12,817	12,016	11,310	10,681	10,119	9,613	9,154	8,738	8,359	8,011
68	26,000	23,111	20,800	18,909	17,333	16,000	14,857	13,866	13,000	12,236	11,555	10,947	10,400	9,904	9,454	9,043	8,666
69	27,635	24,564	22,108	20,098	18,423	17,007	15,792	14,738	13,818	13,005	12,282	11,635	11,054	10,527	10,048	9,611	9,211
70	29,268	26,015	23,414	21,286	19,511	18,011	16,725	15,609	14,632	13,773	13,008	12,323	11,707	11,149	10,642	10,179	9,755
71	30,900	27,466	24,720	22,473	20,599	19,016	17,657	16,480	15,450	14,542	13,733	13,010	12,360	11,770	11,235	10,747	10,300
72	32,835	29,186	26,268	23,880	21,889	20,207	18,763	17,512	16,418	15,452	14,593	13,825	13,134	12,508	11,939	11,420	10,945
73	34,768	30,904	27,814	25,286	23,177	21,396	19,868	18,542	17,384	16,362	15,452	14,639	13,907	13,244	12,641	12,092	11,589
74	36,700	32,622	29,360	26,691	24,466	22,585	20,972	19,573	18,350	17,271	16,311	15,452	14,680	13,980	13,344	12,764	12,233
75	38,800	34,489	31,040	28,218	25,866	23,878	22,172	20,693	19,400	18,259	17,244	16,336	15,520	14,780	14,108	13,495	12,933
76	40,900	36,355	32,720	29,746	27,266	25,170	23,372	21,813	20,450	19,248	18,178	17,221	16,360	15,580	14,871	14,225	13,633
77	43,000	38,222	34,400	31,273	28,666	26,462	24,572	22,933	21,500	20,236	19,111	18,105	17,200	16,380	15,635	14,955	14,333
78	45,335	40,297	36,268	32,971	30,222	27,899	25,906	24,178	22,668	21,335	20,149	19,088	18,134	17,269	16,484	15,768	15,111
79	47,668	42,371	38,134	34,668	31,779	29,335	27,239	25,422	23,834	22,432	21,185	20,070	19,067	18,158	17,332	16,579	15,889
80	50,000	44,444	40,000	36,364	33,332	30,770	28,572	26,666	25,000	23,530	22,222	21,052	20,000	19,046	18,180	17,390	16,666
81	52,500	46,666	42,000	38,182	35,000	32,309	30,000	27,999	26,250	24,707	23,333	22,105	21,000	19,998	19,089	18,260	17,500
82	55,000	48,888	44,000	40,000	36,665	33,847	31,429	29,333	27,500	25,883	24,444	23,157	22,000	20,951	20,000	19,129	18,333
83	57,500	51,111	46,000	41,819	38,332	35,386	32,858	30,666	28,750	27,060	25,555	24,210	23,000	21,903	20,907	20,000	19,166
84			49,200	44,728	40,998	37,847	35,144	32,799	30,750	28,942	27,333	25,894	24,600	23,427	22,361	21,390	20,500
85			52,400	47,637	43,665	40,309	37,429	34,932	32,750	30,824	29,111	27,578	26,200	24,950	23,816	22,781	21,832
86			55,400	50,364	46,165	42,616	39,572	36,932	34,625	32,589	30,777	29,157	27,700	26,379	25,179	24,085	23,082
87			58,400	53,091	48,665	44,924	41,715	38,932	36,500	34,354	32,444	30,736	29,200	27,807	26,543	25,389	24,332
88			61,400	55,819	51,165	47,232	43,858	40,932	38,375	36,119	34,111	32,315	30,700	29,236	27,906	26,694	25,582
89			66,000	60,000	54,998	50,771	47,144	43,999	41,250	38,825	36,666	34,736	33,000	31,426	29,997	28,694	27,500
90					61,331	56,617	52,572	49,065	46,000	43,295	40,888	38,736	36,800	35,045	33,451	31,998	30,665
91					67,164	62,002	57,573	53,732	50,375	47,413	44,777	42,420	40,300	38,378	36,633	35,041	33,582
92					73,500	67,848	63,001	58,799	55,125	51,884	49,000	46,420	44,100	41,996	40,087	38,345	36,749
93					80,830	74,617	69,287	64,665	60,625	57,060	53,888	51,051	48,500	46,187	44,087	42,171	40,415
94					87,500	81,540	75,716	70,665	66,250	62,355	58,888	55,788	53,000	50,472	48,177	46,084	44,165
95							78,930	73,665	69,063	65,002	61,388	58,156	55,250	52,615	50,222	48,040	46,040
96							82,145	76,665	71,875	67,649	63,888	60,525	57,500	54,757	52,268	50,000	47,915
97							85,360	79,665	74,688	70,296	66,388	62,893	59,750	56,900	54,313	51,953	49,790
98							87,500	82,665	77,500	72,943	68,888	65,261	62,000	59,043	56,358	53,909	51,665
99								85,998	80,625	75,884	71,666	67,893	64,500	61,423	58,631	56,083	53,748
100								87,500	83,750	78,826	74,444	70,524	67,000	63,804	60,903	58,257	55,831
101									86,875	81,767	77,221	73,156	69,500	66,185	63,176	60,430	57,914
102									87,500	84,708	80,000	75,787	72,000	68,566	65,448	62,604	60,000
103										87,500	83,610	79,210	75,250	71,661	68,402	65,430	62,706
104											87,221	82,629	78,500	74,756	71,357	68,256	65,414
105											87,500	86,050	81,750	77,851	74,311	71,082	68,122
106												87,500	85,000	80,946	77,265	73,908	70,831
107													87,500	84,469	80,628	77,125	73,914
108														87,500	83,992	80,342	77,000
109															87,446	83,646	80,163
110															87,500	86,950	83,330
"B" dim Sizes 64 to 83	3¾	4⅛	4⅝	5	5½	6	6½	6⅞	7⅜	7⅞	8¼	8¾	9¼	9⅝	10⅞	10⅞	11
"B" dim Sizes 84 to 110			4⅜	4⅞	5	5⅝	5⅞	6¼	6⅝	7⅞	7½	7⅞	8⅞	8¾	9⅝	9⅞	10

Table Continued on Facing Page

Shading in gray indicates this item is available upon request.



CONSTANT SUPPORTS

Table Continued on Facing Page

Hanger Size No.	TOTAL TRAVEL * (IN); LOAD (LBS)															
	12½	13	13½	14	14½	15	15½	16	16½	17	17½	18	18½	19	19½	20
64	6,152	5,915	5,696	5,492	5,303	5,126	4,961	4,806								
65	6,432	6,184	5,955	5,742	5,544	5,359	5,187	5,025								
66	7,062	6,790	6,538	6,304	6,087	5,884	5,694	5,517								
67	7,690	7,394	7,120	6,966	6,629	6,408	6,201	6,008								
68	8,320	8,000	7,703	7,428	7,172	6,933	6,709	6,500								
69	8,843	8,503	8,188	7,895	7,623	7,369	7,131	6,909								
70	9,366	9,005	8,671	8,361	8,073	7,804	7,552	7,317								
71	9,888	9,507	9,155	8,828	8,523	8,239	7,973	7,725								
72	10,507	10,103	9,728	9,380	9,057	8,755	8,473	8,209								
73	11,126	10,697	10,301	9,932	9,590	9,270	8,971	8,692								
74	11,744	11,292	10,873	10,484	10,123	9,786	9,470	9,175								
75	12,416	11,938	11,496	11,084	10,703	10,346	10,012	9,700								
76	13,088	12,584	12,118	11,684	11,282	10,906	10,554	10,225								
77	13,760	13,230	12,740	12,284	11,861	11,466	11,096	10,750								
78	14,507	13,949	13,432	12,951	12,505	12,088	11,698	11,334								
79	15,254	14,666	14,123	13,618	13,149	12,710	12,300	11,917								
80	16,000	15,384	14,814	14,284	13,792	13,332	12,902	12,500								
81	16,800	16,153	15,555	14,998	14,482	14,000	13,547	13,125								
82	17,600	16,922	16,295	15,712	15,171	14,665	14,192	13,750								
83	18,400	17,692	17,036	16,427	15,861	15,332	14,837	14,375								
84	19,680	18,922	18,221	17,569	16,964	16,398	15,869	15,375								
85	20,960	20,153	19,406	18,712	18,068	17,465	16,902	16,375								
86	22,160	21,307	20,517	19,783	19,102	18,465	17,869	17,313								
87	23,360	22,461	21,628	20,855	20,136	19,465	18,837	18,250								
88	24,560	23,614	22,739	21,926	21,171	20,465	19,805	19,188								
89	26,400	25,384	24,443	23,569	22,757	21,998	21,288	20,626								
90	29,440	28,307	27,258	26,283	25,377	24,531	23,740	23,000								
91	32,240	31,000	29,850	28,782	27,791	26,864	25,998	25,188								
92	35,280	33,922	32,665	31,496	30,411	29,397	28,449	27,563								
93	38,800	37,306	35,924	34,639	33,446	32,330	31,287	30,313								
94	42,400	40,768	39,257	37,583	36,549	35,330	34,190	33,125								
95	44,200	42,498	40,924	39,460	38,100	36,830	35,642	34,531	32,119	31,175	30,285	29,442	28,647	27,894	27,179	26,500
96	46,000	44,230	42,590	41,067	39,652	38,330	37,093	35,938	34,845	33,822	32,856	31,941	31,080	30,262	29,486	28,750
97	47,800	45,960	44,257	42,673	41,204	39,829	39,545	37,344	36,209	35,145	34,141	33,191	32,295	31,446	30,640	29,875
98	49,600	47,690	45,923	44,280	42,755	41,329	40,000	38,750	37,572	36,468	35,427	34,441	33,511	32,631	31,794	31,000
99	51,600	49,613	47,775	46,066	44,479	42,996	41,609	40,313	39,087	37,939	36,855	35,830	34,862	33,946	33,076	32,250
100	53,600	51,536	49,627	47,851	46,203	44,662	43,221	41,875	40,602	39,409	38,284	37,219	36,214	35,262	34,358	33,500
101	55,600	53,459	51,479	49,637	47,927	46,329	44,834	43,438	42,117	40,880	39,712	38,607	37,565	36,578	35,640	34,750
102	57,600	56,382	53,330	51,422	49,651	47,995	46,447	45,000	43,632	42,350	41,141	39,996	38,916	37,894	36,922	36,000
103	60,200	57,882	55,738	53,744	51,892	50,162	48,544	47,031	45,602	44,262	42,998	41,801	40,673	39,604	38,588	37,625
104	62,800	60,382	58,145	56,065	54,134	52,328	50,640	49,063	47,571	46,174	44,855	43,607	42,429	41,315	40,255	39,250
105	65,400	62,882	60,552	58,386	56,375	54,495	52,737	51,094	49,541	48,085	46,712	45,412	44,186	43,025	41,921	40,875
106	68,000	65,382	62,960	60,707	58,616	56,661	54,834	53,125	51,510	50,000	48,569	47,218	45,943	44,736	43,588	42,500
107	70,960	68,228	65,700	63,350	61,168	59,127	57,220	55,438	53,752	52,173	50,683	49,273	47,942	46,683	45,485	44,350
108	73,920	71,074	68,441	65,992	63,719	61,594	59,607	57,750	55,994	54,350	52,797	51,328	49,942	48,630	47,383	46,200
109	76,960	74,000	71,255	68,706	66,340	64,127	62,059	60,125	58,297	56,585	54,969	53,439	52,000	50,630	49,331	48,100
110	80,000	76,920	74,070	71,420	68,960	66,660	64,510	62,500	60,600	58,820	57,140	55,550	54,050	52,630	51,280	50,000
"B" dim Sizes 64 to 83	11½	12	12¾	12¾	13¾	13¾	14¼	14¾	-	-	-	-	-	-	-	-
"B" dim Sizes 84 to 110	10¾	10 ¹³ / ₁₆	11 ³ / ₁₆	11 ⁵ / ₈	12 ¹ / ₁₆	12½	12¾	13 ⁵ / ₁₆	13 ¹¹ / ₁₆	14 ¹ / ₈	14 ⁹ / ₁₆	14 ¹⁵ / ₁₆	15 ³ / ₈	15¼	16 ³ / ₁₆	16 ⁵ / ₈

Shading in gray indicates this item is available upon request.

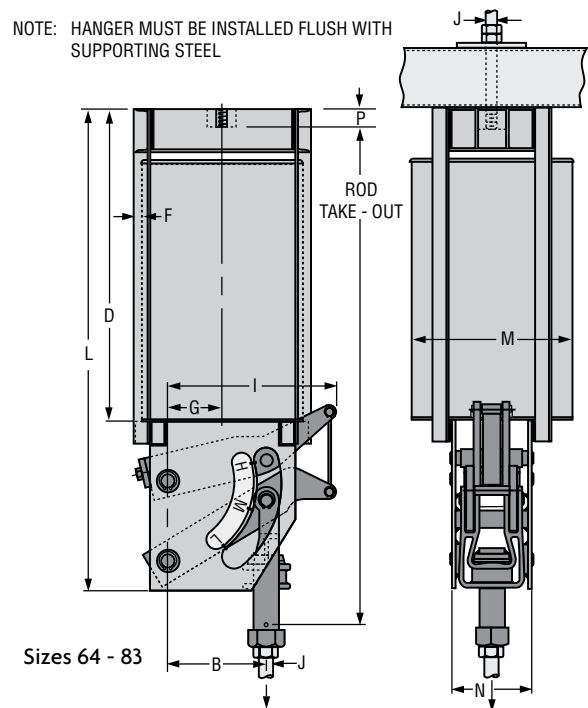
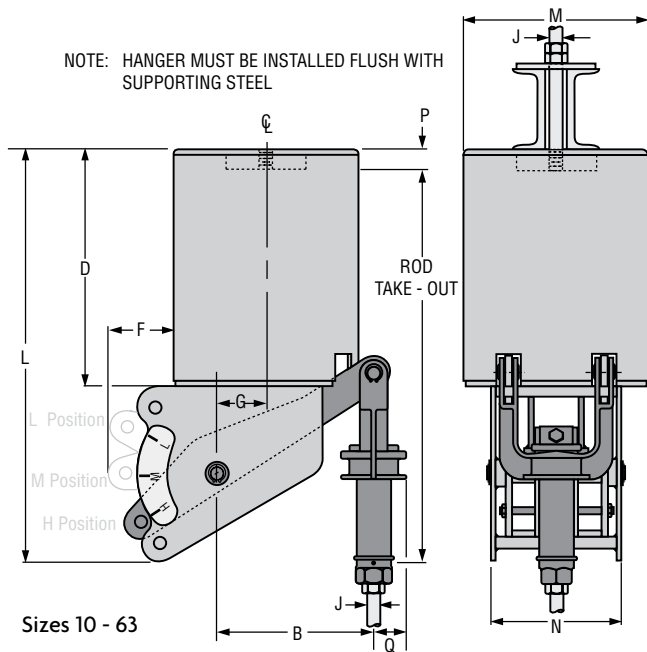
- (1) * Note: Total travel equals actual travel plus 1" or 20% (whichever is greater), rounded up to nearest ½" as applicable.
- (2) Constant supports are readily available for travel and load not listed in this table. Dimensions and lug locations may vary from those shown on the following pages.
- (3) For Type F Upthrust see page 201 for standard travel and sizes.
- (4) Fig. 80-V are not available for sizes 1 thru 9.



CONSTANT SUPPORTS

Fig. 80-V Type A

Model R



Type A of the figure 80-V vertical design model R Constant Support Hanger is designed for attachment to its supporting member by screwing a rod into a tapped hole in the top cap of hanger a distance equal to the "P" dimension plus $\frac{3}{8}$ ". Sight holes are provided near the top of the casing to allow visible inspection for correct thread engagement of upper hanger rod.

Notes: See load travel tables, page 184 through 187 for "B" dimension. For weights see page 203. Location of travel indicator and contour of side plate may vary from that shown.

FIG. 80-V, TYPE A: DIMENSIONS (IN)

Hanger Sizes	L	D	F	G	I	Dia. M	N	P	Q	Total Travel TT	Factors	J-rod		
												Min Thd Length	Rod Dia.	
													Min	Max
1 - 9	Available in Fig. 81-H only													
10 - 18	18 $\frac{7}{8}$	8 $\frac{7}{8}$	2	1 $\frac{1}{2}$	•	8 $\frac{5}{8}$	6 $\frac{7}{16}$	$\frac{7}{8}$	1 $\frac{3}{8}$	5 or less 5 $\frac{1}{2}$ or more	16 $\frac{15}{16}$ 19 $\frac{1}{4}$	1 $\frac{3}{4}$ + TT	$\frac{1}{2}$	$\frac{3}{4}$
19 - 34	28 $\frac{1}{2}$	16	2 $\frac{1}{8}$	2 $\frac{5}{8}$	•	12 $\frac{3}{4}$	8 $\frac{9}{16}$	1 $\frac{1}{8}$	1 $\frac{5}{8}$	5 or less 5 $\frac{1}{2}$ or more	27 $\frac{15}{16}$ 30 $\frac{1}{16}$	2 $\frac{3}{8}$ + TT	$\frac{1}{2}$	1 $\frac{1}{4}$
35 - 49	32 $\frac{3}{4}$	18 $\frac{1}{4}$	4 $\frac{3}{4}$	3 $\frac{3}{4}$	•	14	9 $\frac{13}{16}$	1 $\frac{1}{2}$	2 $\frac{1}{2}$	6 or less 6 $\frac{1}{2}$ or more	32 $\frac{3}{8}$ 37	3 $\frac{1}{4}$ + TT	$\frac{1}{2}$	1 $\frac{3}{4}$
50 - 63	46 $\frac{7}{8}$	28 $\frac{3}{8}$	8 $\frac{5}{16}$	5 $\frac{7}{8}$	•	18	11 $\frac{1}{4}$	2	3	11 or less 11 $\frac{1}{2}$ or more	46 $\frac{1}{2}$ 51 $\frac{3}{4}$	4 $\frac{1}{4}$ + TT	$\frac{3}{4}$	2 $\frac{1}{4}$
64 - 74	67 $\frac{1}{2}$	44 $\frac{1}{4}$	1 $\frac{1}{16}$	7 $\frac{1}{2}$	25 $\frac{3}{8}$	22 $\frac{3}{16}$	11	2 $\frac{1}{2}$	-	10 $\frac{1}{2}$ or less 11 or more	77 $\frac{3}{8}$ 77 $\frac{3}{4}$	5 $\frac{3}{4}$ + TT	1 $\frac{1}{4}$	2 $\frac{3}{4}$
75 - 83	69 $\frac{1}{2}$	46 $\frac{1}{4}$	1 $\frac{1}{2}$	7 $\frac{1}{2}$	25 $\frac{3}{8}$	27 $\frac{3}{16}$	11	3	-	10 $\frac{1}{2}$ or less 11 or more	78 $\frac{3}{16}$ 78 $\frac{3}{16}$	5 $\frac{3}{4}$ + TT	1 $\frac{1}{2}$	3 $\frac{1}{4}$
84-110	See page 195													

Rod take-out = (factor) - (TT / 2), for lever in high position.

• "I" dimension for sizes 10 through 63 equals "B" + "Q" Note: See the size selection chart (page 184 through 187) for the "B" dimension.

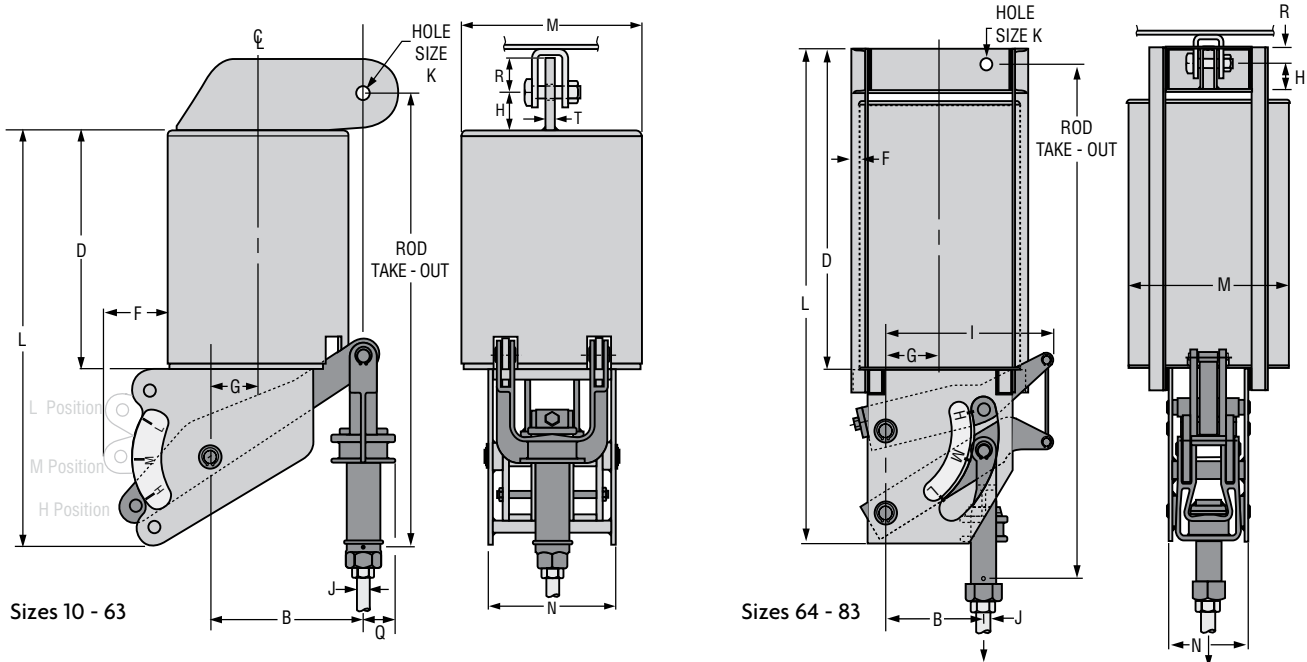
J-ROD SELECTION CHART

Load (lbs)	0 800	801 1,500	1,501 2,540	2,541 4,000	4,001 6,100	6,101 9,400	9,401 13,400	13,401 18,300	18,301 24,700	24,701 31,000	31,001 39,000	39,001 48,000	48,001 58,000
J Rod Size	$\frac{1}{2}$	$\frac{5}{8}$	$\frac{3}{4}$	1	1 $\frac{1}{4}$	1 $\frac{1}{2}$	1 $\frac{3}{4}$	2	2 $\frac{1}{4}$	2 $\frac{1}{2}$	2 $\frac{3}{4}$	3	3 $\frac{1}{4}$ *

* 3 $\frac{1}{4}$ is furnished with 4 UNC series thread.

Fig. 80-V Type B

Model R



Type B is furnished with a single lug for attachment to the building structure. The lug permits use of a figure 66* welded beam attachment, a figure 299 clevis or a pair of angles for attachment where headroom is limited.

Notes: See load travel tables, page 184 through 187 for "B" dimension. For weights see page 203. Location of travel indicator and contour of side plate may vary from that shown.

FIG. 80-V, TYPE B: DIMENSIONS (IN)

Hanger Size	L	D	F	G	H	I	Dia. M	N	Q	R	T	Total Travel TT	Factors	J-rod		
														Min Thd Length	Rod Dia. Min	Max
1-9	Available in Fig. 81-H only															
10-18	18 ⁷ / ₈	8 ⁷ / ₈	2	1 ¹ / ₂	1 ¹ / ₂	•	8 ⁵ / ₈	6 ⁷ / ₁₆	1 ³ / ₈	1 ¹ / ₂	3 ⁸ / ₁₆	5 or less 5 ¹ / ₂ or more	19 ⁵ / ₁₆ 21 ⁵ / ₈	1 ³ / ₄ + TT	1 ¹ / ₂	3 ⁴ / ₈
19-34	28 ¹ / ₂	16	2 ¹ / ₈	2 ⁵ / ₈	2	•	12 ³ / ₄	8 ⁹ / ₁₆	1 ⁵ / ₈	1 ¹ / ₂	5 ⁸ / ₁₆	5 or less 5 ¹ / ₂ or more	31 ¹ / ₁₆ 33 ³ / ₁₆	2 ⁵ / ₈ + TT	1 ¹ / ₂	1 ¹ / ₄
35-49	32 ³ / ₄	18 ¹ / ₄	4 ³ / ₄	3 ³ / ₄	3	•	14	9 ¹³ / ₁₆	2 ¹ / ₂	1 ¹ / ₄ K-hole & smaller, 1 ¹ / ₂ 1 ³ / ₈ K-hole and larger, 2	3 ⁴ / ₈	6 or less 6 ¹ / ₂ or more	36 ⁷ / ₈ 41 ¹ / ₂	3 ³ / ₄ + TT	1 ¹ / ₂	1 ¹ / ₄
50-63	46 ⁷ / ₈	28 ³ / ₈	8 ⁵ / ₁₆	5 ⁵ / ₈	4	•	18	11 ¹ / ₄	3	1 ¹⁵ / ₁₆ K-hole, 1 ¹ / ₂ 1 ¹ / ₈ thru 1 ¹ / ₂ K-hole, 2 1 ³ / ₄ K-hole and larger, 3	1	11 or less 11 ¹ / ₂ or more	52 ¹ / ₂ 57 ³ / ₄	4 ¹ / ₄ + TT	3 ⁴ / ₈	2 ¹ / ₄
64-74	68	37 ¹ / ₄	1 ³ / ₁₆	7 ¹ / ₂	4 ¹ / ₂	25 ³ / ₈	22 ³ / ₁₆	11	3 ³ / ₄	1 ¹ / ₂ K-hole, 2 1 ³ / ₄ K-hole and larger, 3	2	10 ¹ / ₂ or less 11 or more	77 ¹ / ₄ 77 ³ / ₈	5 ³ / ₄ + TT	1 ¹ / ₄	2 ³ / ₄
75-83	69 ¹ / ₂	38	1 ¹ / ₂	7 ¹ / ₂	3 ⁵ / ₈	25 ³ / ₈	27 ³ / ₁₆	11		3 ³ / ₄	2 ¹ / ₂	10 ¹ / ₂ or less 11 or more	77 ¹⁵ / ₁₆ 78 ¹ / ₁₆	5 ³ / ₄ + TT	1 ¹ / ₂	3 ³ / ₄
84-110	See page 195															

Rod take-out = (factor) - (TT / 2), for lever in high position. • "I" dimension for sizes 10 through 63 equals "B" + "Q"

* For constant support sizes 50-63 and 64-74 where 1¹/₄" rod is required, check the "R" dimensions versus the Fig. 66 welded beam attachment dimensions for compatibility.

Note: See the size selection chart (page 184 through 187) for the "B" dimension. K hole center line location is determined by the formula of "B - G = K Center Line".

J-ROD SELECTION CHART

Load (lbs)	0 800	801 1,500	1,501 2,540	2,541 4,000	4,001 6,100	6,101 9,400	9,401 13,400	13,401 18,300	18,301 24,700	24,701 31,000	31,001 39,000	39,001 48,000	48,001 58,000
J-Rod Size	1/2	5/8	3/4	1	1 1/4	1 1/2	1 3/4	2	2 1/4	2 1/2	2 3/4	3	3 1/4*
K-Hole	1 1/16	1 3/16	1 5/16	1 1/4	1 1/2	1 3/4	2	2 3/8	2 5/8	2 7/8	3 1/8	3 3/8	3 5/8

* 3¹/₄" is furnished with 4 UNC series thread.

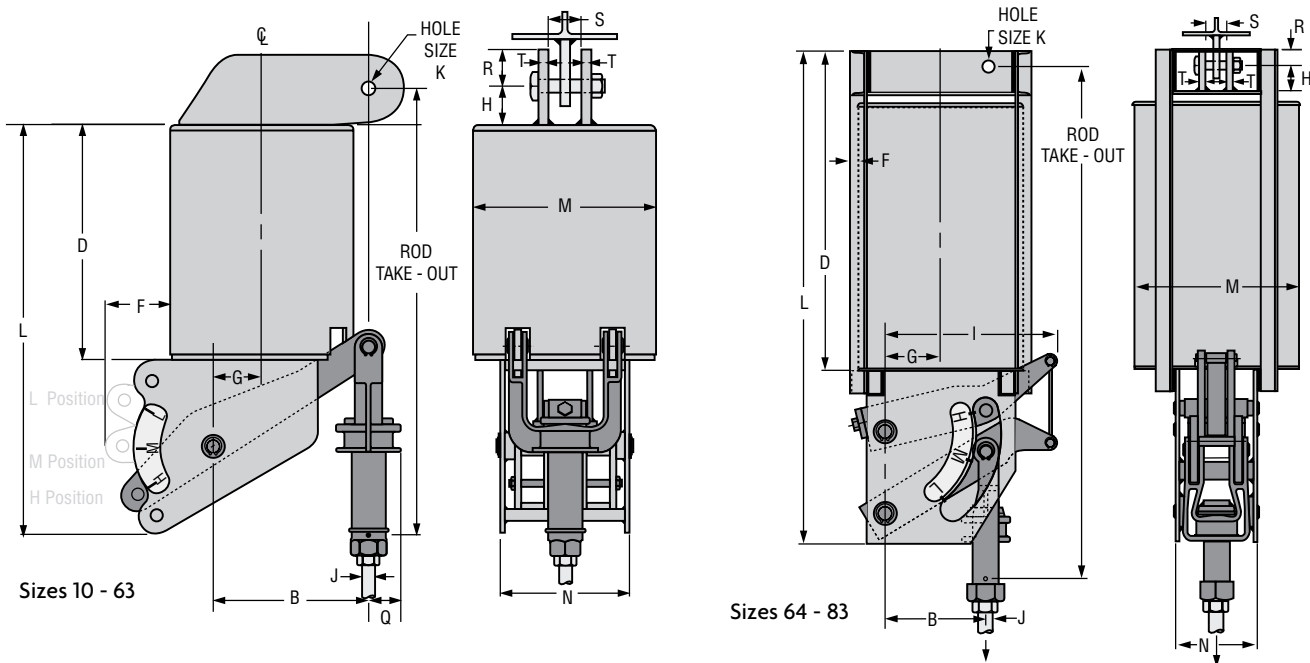


Stanchions & Supports
Guides & Slides
Pipe Rolls & Saddles
Trapeze
Spring Hangers
Constant Supports
Vibration Control & Sway Brace
Sway Strut Assembly
Snubbers
Special Design Products
Seismic Braces
Seismic Restraints
Index Technical Data

CONSTANT SUPPORTS

Fig. 80-V Type C

Model R



Type C is furnished with a pair of lugs for attachment to the building structure. These lugs permit the use of an eye rod or a single plate for attachment where headroom is limited.

Notes: See load travel tables, page 184 through 187 for "B" dimension. For weights see page 203. Location of travel indicator and contour of side plate may vary from that shown.

FIG. 80-V, TYPE C: DIMENSIONS (IN)

Hanger Size	L	D	F	G	H	I	Dia. M	N	Q	R	T	Total Travel TT	Factors	J-rod		
														Min	Thd Length	Rod Dia. Max
1-9	Available in Fig. 81-H only															
10-18	18 ⁷ / ₈	8 ⁷ / ₈	2	1 ¹ / ₂	1 ¹ / ₂	•	8 ⁵ / ₈	6 ⁷ / ₁₆	1 ³ / ₈	1 ¹ / ₂	3 ³ / ₈	5 or less 5 ¹ / ₂ or more	19 ⁵ / ₁₆ 21 ⁵ / ₈	1 ³ / ₄ + TT	1 ¹ / ₂	3 ³ / ₄
19-34	28 ¹ / ₂	16	2 ¹ / ₈	2 ⁵ / ₈	2	•	12 ³ / ₄	8 ⁹ / ₁₆	1 ⁵ / ₈	1 ¹ / ₂	5 ¹ / ₈	5 or less 5 ¹ / ₂ or more	31 ¹ / ₁₆ 33 ³ / ₁₆	2 ³ / ₈ + TT	1 ¹ / ₂	1 ¹ / ₄
35-49	32 ³ / ₄	18 ¹ / ₄	4 ³ / ₄	3 ³ / ₄	3	•	14	9 ¹³ / ₁₆	2 ¹ / ₂	1 ¹ / ₄ K-hole & smaller, 1 ¹ / ₂ 1 ¹ / ₈ K-hole and larger, 2	3 ³ / ₄	6 or less 6 ¹ / ₂ or more	36 ³ / ₈ 41 ¹ / ₂	3 ¹ / ₄ + TT	1 ¹ / ₂	1 ³ / ₄
50-63	46 ⁷ / ₈	28 ³ / ₈	8 ⁵ / ₁₆	5 ⁷ / ₈	4	•	18	11 ¹ / ₄	3	1 ¹⁵ / ₁₆ K-hole, 1 ¹ / ₂ 1 ¹ / ₈ thru 1 ³ / ₈ K-hole, 2 1 ¹ / ₂ K-hole and larger, 3	1	11 or less 11 ¹ / ₂ or more	52 ¹ / ₂ 57 ³ / ₄	4 ¹ / ₄ + TT	3 ³ / ₄	2 ¹ / ₄
64-74	68	36 ³ / ₄	1 ³ / ₁₆	7 ¹ / ₂	5	25 ³ / ₈	22 ³ / ₁₆	11	3 ³ / ₄	3	1 ¹ / ₂	10 ¹ / ₂ or less 11 or more	77 ¹ / ₄ 77 ³ / ₈	5 ³ / ₄ + TT	1 ¹ / ₄	2 ³ / ₄
75-83	69 ¹ / ₂	37 ¹ / ₄	1 ¹ / ₂	7 ¹ / ₂	6 ¹ / ₄	25 ³ / ₈	27 ¹ / ₁₆	11	3 ³ / ₄	3 ³ / ₄	1	10 ¹ / ₂ or less 11 or more	77 ¹⁵ / ₁₆ 78 ¹ / ₁₆	5 ³ / ₄ + TT	1 ¹ / ₂	3 ³ / ₄ *
84-110	See page 195															

Rod take-out = (factor) - (TT / 2), for lever in high position. • "I" dimension for sizes 10 through 63 equals "B" + "Q"

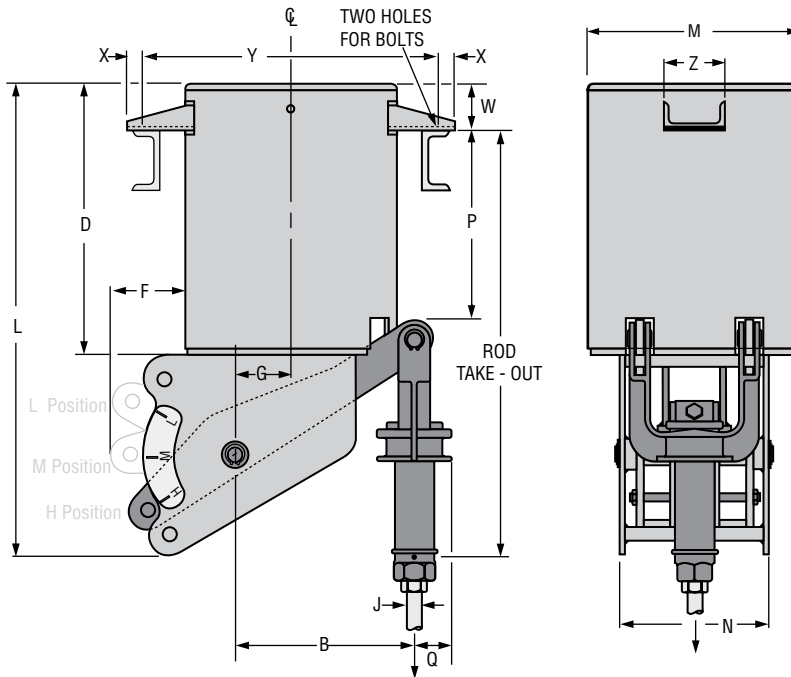
Note: See the size selection chart (page 184 through 187) for the "B" dimension. K hole center line location is determined by the formula of "B - G = K Center Line".

Load (lbs)	0 800	801 1,500	1,501 2,540	2,541 4,000	4,001 6,100	6,101 9,400	9,401 13,400	13,401 18,300	18,301 24,700	24,701 31,000	31,001 39,000	39,001 48,000	48,001 58,000
J-Rod Size	1 ¹ / ₂	5 ⁵ / ₈	3 ³ / ₄	1	1 ¹ / ₄	1 ¹ / ₂	1 ³ / ₄	2	2 ¹ / ₄	2 ¹ / ₂	2 ³ / ₄	3	3 ¹ / ₄ *
K-Hole Size	1 ¹¹ / ₁₆	1 ¹³ / ₁₆	1 ¹⁵ / ₁₆	1 ¹ / ₄	1 ¹ / ₂	1 ³ / ₄	2	2 ³ / ₈	2 ⁵ / ₈	2 ⁷ / ₈	3 ¹ / ₈	3 ³ / ₈	3 ⁵ / ₈
S	7 ⁷ / ₈	1 ¹ / ₁₆	1 ¹ / ₄	1 ¹ / ₈	2	2 ³ / ₈	2 ⁵ / ₈	2 ⁷ / ₈	3 ¹ / ₈	3 ³ / ₈	3 ⁵ / ₈	3 ⁷ / ₈	4 ¹ / ₈

* 3¹/₄" is furnished with 4 UNC series thread.

Fig. 80-V Type D

Model R



Type D rests on top of structural steel while most of the Constant Support itself hangs between or below the supporting beams. The depth of the beam is limited by the “P” dimension. Dimension “P” can be varied on special order, however, “P” dimension shown is maximum for the hanger.

Notes: See load travel tables, page 184 through 187 for “B” dimension. For weights see page 203. Location of travel indicator and contour of side plate may vary from that shown.

FIG. 80-V: DIMENSIONS (IN)

Hanger Sizes	L	D	F	G	Dia. M	N	Q	P	W	X	Y	Z	Bracket Hole Dia.	Total Travel TT	Factors	J-Rod		
																Min Thd Length	Min Dia.	Max Dia.
1-9	Available in Fig. 81-H only																	
10-18	18 ⁷ / ₈	8 ⁷ / ₈	2	1 ¹ / ₂	8 ⁵ / ₈	6 ⁷ / ₁₆	1 ³ / ₈	4 ¹⁵ / ₁₆	2 ³ / ₈	1 ¹ / ₂	10 ³ / ₄	3	3/4	5 or less 5 ¹ / ₂ or more	15 ¹ / ₂ 17 ³ / ₁₆	1 ³ / ₄ + TT	1/2	3/4
19-34	28 ¹ / ₂	16	2 ¹ / ₂	2 ⁵ / ₈	12 ³ / ₄	8 ⁹ / ₁₆	1 ³ / ₈	12 ¹ / ₂	2 ³ / ₈	1 ¹ / ₂	14 ⁷ / ₈	3	7/8	5 or less 5 ¹ / ₂ or more	26 ¹¹ / ₁₆ 28 ¹³ / ₁₆	2 ³ / ₈ + TT	1/2	1 ¹ / ₄
35-49	32 ³ / ₄	18 ¹ / ₄	4 ³ / ₄	3 ³ / ₄	14	9 ³ / ₁₆	2 ¹ / ₂	13 ¹ / ₄	2 ⁵ / ₈	2	16 ³ / ₄	4	1 ¹ / ₈	6 or less 6 ¹ / ₂ or more	31 ¹ / ₄ 35 ⁷ / ₈	3 ¹ / ₄ + TT	1/2	1 ³ / ₄
50-63	46 ⁷ / ₈	28 ¹ / ₈	8 ⁵ / ₁₆	5 ⁷ / ₈	18	11 ¹ / ₄	3	24 ¹ / ₂	2 ⁷ / ₈	3	21	6	1 ³ / ₈	11 or less 11 ¹ / ₂ or more	45 ⁹ / ₁₆ 50 ⁵ / ₈	4 ¹ / ₄ + TT	3/4	2 ¹ / ₄
64-83	Available in Fig. 81-H only.																	
84-110	Not Available																	

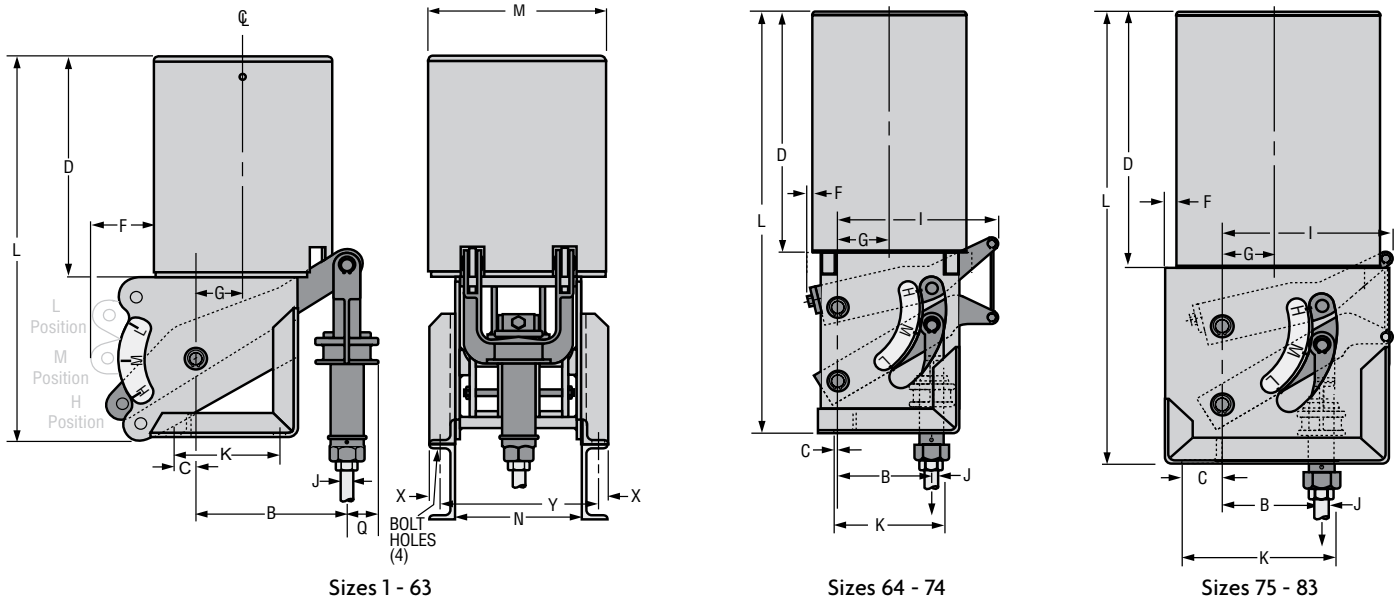
*Rod take-out = (factor) - (TT / 2), for lever in high position. • “L” dimension for sizes 10 through 63 equals “B” + “Q”
Note: See the size selection chart (page 184 through 187) for the “B” dimension.

Load (lbs)	0 800	801 1,500	1,501 2,540	2,541 4,000	4,001 6,100	6,101 9,400	9,401 13,400	13,401 18,300	18,301 24,700
J Rod Size	1/2	5/8	3/4	1	1 1/4	1 1/2	1 3/4	2	2 1/4

CONSTANT SUPPORTS

Fig. 80-V Type E

Model R



Type E rests on top flange of structural steel and the constant support itself is entirely above the supporting beams. If the rod takeout does not exceed the depth of the supporting steel and the rod coupling must extend below the steel, specify the depth of the supporting steel. Increase the rod take-out by the depth of the steel.

Notes: See load travel tables, page 184 through 187 for "B" dimension. For weights see page 205. Location of travel indicator and contour of side plate may vary from that shown.

FIG. 80-V, TYPE E: DIMENSIONS (IN)

Hanger Size	L	C	D	F	G	I	K	Dia. M	X	Y	N	Q	Angle Size	Bracket Hole Dia.	Total Travel TT	Factors	J-Rod		
																	Min Thd Length	Rod Dia Min	Max
1-9	Available in Fig. 81-H Only																		
10-18	18 ⁷ / ₈	1 ¹ / ₂	8 ⁷ / ₈	2	1 ¹ / ₂	•	4 ⁵ / ₁₆	8 ⁵ / ₈	5 ⁸ / ₈	8 ¹⁵ / ₁₆	6 ⁷ / ₁₆	1 ³ / ₈	1 ¹ / ₂ x 2 x 1/4	3/4	5 or less 5 ¹ / ₂ or more	1 ⁷ / ₁₆ 3 ³ / ₄	1 ³ / ₄ + TT	1/2	3/4
19-34	28 ¹ / ₂	1 ³ / ₁₆	16	2 ¹ / ₈	2 ⁵ / ₈	•	6 ¹¹ / ₁₆	12 ³ / ₄	5 ⁸ / ₈	11 ³ / ₁₆	8 ⁹ / ₁₆	1 ⁵ / ₈	1 ¹ / ₂ x 2 ¹ / ₂ x 1/4	3/4	5 or less 5 ¹ / ₂ or more	2 ¹³ / ₁₆ 4 ¹⁵ / ₁₆	2 ³ / ₈ + TT	1/2	1 ¹ / ₄
35-49	32 ³ / ₄	1 ⁷ / ₈	18 ¹ / ₄	4 ³ / ₄	3 ³ / ₄	•	8 ⁵ / ₁₆	14	1 ³ / ₁₆	13 ⁵ / ₁₆	9 ¹³ / ₁₆	2 ¹ / ₂	3 x 2 x 3/8	7/8	6 or less 6 ¹ / ₂ or more	2 ¹ / ₂ 7 ¹ / ₈	3 ¹ / ₄ + TT	1/2	1 ³ / ₄
50-63	46 ⁷ / ₈	3 ³ / ₄	28 ¹ / ₈	8 ⁵ / ₁₆	5 ⁷ / ₈	•	12 ¹³ / ₁₆	18	1 ⁵ / ₁₆	14 ¹¹ / ₁₆	11 ¹ / ₄	3	3 x 3 x 3/8	1 ³ / ₈	11 or less 11 ¹ / ₂ or more	1 ⁵ / ₈ 7	4 ¹ / ₄ + TT	3/4	2 ¹ / ₄
64-74	62	3/8	35 ³ / ₄	3/8	7 ¹ / ₂	25 ³ / ₈	15 ³ / ₄	22 ³ / ₁₆	1 ⁹ / ₁₆	14 ¹⁵ / ₁₆	11	3	3 ¹ / ₂ x 3 ¹ / ₂ x 1/2		11 or more	9 ¹ / ₈	5 ³ / ₄ + TT	1 ¹ / ₄	2 ³ / ₄
75-83	62 ¹ / ₂	5 ¹ / ₄	35 ³ / ₄	1 ¹ / ₂	7 ¹ / ₂	25 ³ / ₈	25 ³ / ₈	27 ³ / ₁₆	1 ¹ / ₄	15 ¹ / ₂	11	3	4 x 4 x 3/8	1 ⁵ / ₈	10 ¹ / ₂ or less 11 or more	8 ³ / ₄ 8 ⁷ / ₈	5 ³ / ₄ + TT	1 ¹ / ₂	3 ¹ / ₄
84-110	Not Available																		

Rod take-out = (factor) - (TT / 2), for lever in high position. Rod take-out is measured from the bottom of the supporting angles to the center of the load coupling site hole.
 • "I" dimension for sizes 10 through 63 equals "B" + "Q" Note: See the size selection chart (page 184 through 187) for the "B" dimension.

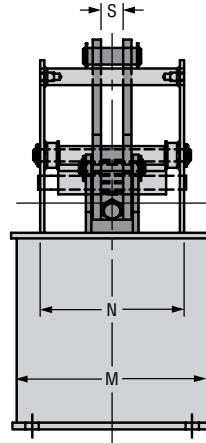
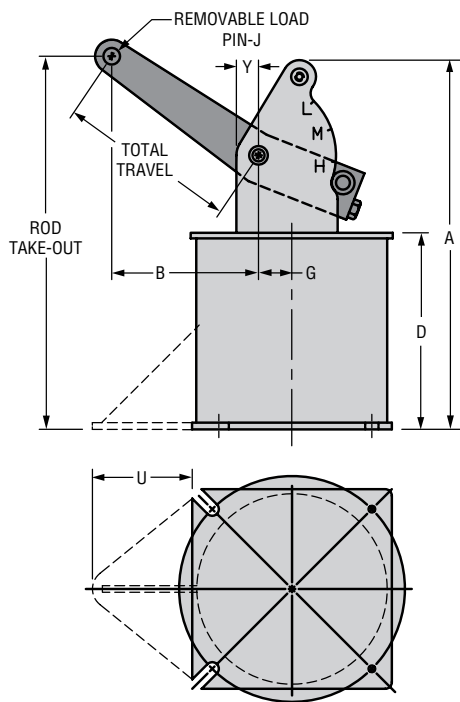
J-ROD SELECTION CHART

Load (lbs)	0 800	801 1,500	1,501 2,540	2,541 4,000	4,001 6,100	6,101 9,400	9,401 13,400	13,401 18,300	18,301 24,700	24,701 31,000	31,001 39,000	39,001 48,000	48,001 58,000
J Rod Size	1/2	5/8	3/4	1	1 1/4	1 1/2	1 3/4	2	2 1/4	2 1/2	2 3/4	3	3 1/4*

* 3 1/4" is furnished with 4 UNC series thread.

Fig. 80-V Type F

Model R



Hanger Size	Total Travel	U
10-18	1½ - 4½	-
	5 - 8	5
19-34	2 - 6½	-
	7 - 10	7¼
35-49	2½ - 6	-
	6½ - 9	7
50-63	9½ - 14	11½
	3 - 6½	-
50-63	7 - 10	8½
	10½ - 16	14

Type F is for support of piping or equipment from below. It has a base flange for fastening to the floor or to beams. The load arm is furnished with a removable load pin. The intermediate strut which runs from the load arm to the piping is not furnished and must be ordered separately, designed to the specific requirement.

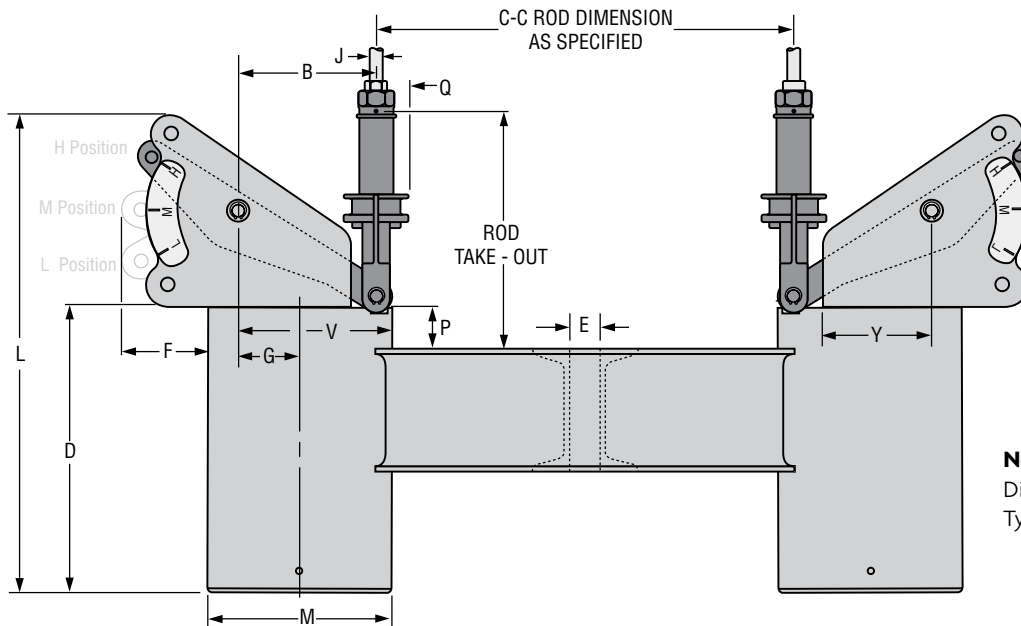
Note: See load travel table for "B" dimension.

Hanger Size	A	D	G	M	N	S	Y	Bottom Flange Square	Bottom Flange Bolt Circle	Flange Hole and Slot Dia.	Flange Thickness	Factor	Total Travel	J Dia.
1-9	Not Available													
10-18	16⅝	8¾	1½	8⅝	6¼	1	1	9	10	7/16	¼	12⅝	5½ or less 6 or more	¾ ½
19-34	25⅜	14 ¹¹ / ₁₆	2⅝	12¾	8⅝	1⅝ ₁₆	1	13¾	15	5/8	3/8	20⅝	4 or less 4½ or more	1⅝ 7/8
35-49	32⅝	18½	3 ¹¹ / ₁₆	14	9 ⁵ / ₁₆	2¼	1½	14½	17	7/8	5/8	25½	7 or less 7½ or more	1½ 1⅝
50-63	48¾	28⅝	5⅞	18	11¼	2¼	1⅝	18½	21	1⅞	¾	38½	8 or less 8½ or more	2 1½
64-110	Not Available													

CONSTANT SUPPORTS

Fig. 80-V Type G

Model R



Note: For orientation of "N" Dimension, see Fig. 80-V Type D on page 191.

Type G is a complete trapeze assembly. The hanger consists of two vertical type Constant Support units plus a pair of channels, back-to-back, welded at each end to the hanger casing. In sizing a Type G hanger, it must be remembered that each standard spring unit carries one-half of the total pipe load. Furthermore, the weights of the hanger itself must be considered as part of the overall load. Therefore, using one-half the total pipe load, select the required hanger size from the Load Travel Table and add one-half the weight of the size hanger selected to one-half the total pipe load. If the load now exceeds the maximum load at the required total travel for the hanger size selected, it is necessary to go to the next larger hanger. If the pipe line is designed so as not to be centered on the channel, one

spring of the trapeze will carry a heavier load than the other and care must be taken in sizing the individual hanger units. The center-to-center rod dimension must be specified when ordering. The minimum C-C dimension can be determined as follows:

$$B \text{ plus } Q > Y: (\text{O.D. of pipe covering}) + 2Q.$$

$$B \text{ plus } Q < Y: (\text{O.D. of pipe covering}) + 2(Y - B).$$

Note: If U-bolt is used to fasten pipe to channels, C-C of U-bolt tangents plus one washer plate width cannot be greater than C-C of the hanger rods minus 2 (V minus B). See load travel tables, page 184 through 187 for "B" dimension.

For weights see page 203. Location of travel indicator and contour of side plate may vary from that shown.

FIG. 80-V, TYPE G: DIMENSIONS (IN)

Hanger Size	L	D	E	F	G	Dia M	N	P	Q	V	Y	Channel Size (lbs/ft)	C - C	Total Travel TT	Factors	J-Rod		
																Min Thread Length	Min Rod. Dia.	Max Rod Dia.
1-9	Not available																	
10-18	18 ⁷ / ₈	8 ⁷ / ₈	1	2	1 ¹ / ₂	8 ⁵ / ₁₆	6 ⁷ / ₁₆	2 ⁹ / ₁₆	1 ³ / ₈	5 ¹³ / ₁₆	6 ⁵ / ₈	4 @ 5.4	30	5 or less 5 ¹ / ₂ or more	11 ¹¹ / ₁₆ 14	1 ³ / ₄ + TT	1/2	3/4
19-34	28 ¹ / ₂	16	1 ¹ / ₄	2 ¹ / ₈	2 ⁵ / ₈	12 ³ / ₄	8 ⁹ / ₁₆	3 ⁹ / ₁₆	1 ⁵ / ₈	9	9 ⁵ / ₈	6 @ 10.5	42	5 or less 5 ¹ / ₂ or more	16 ¹³ / ₁₆ 18 ³ / ₄	2 ³ / ₈ + TT	1/2	1 ¹ / ₄
35-49	32 ³ / ₄	18 ¹ / ₄	1 ¹ / ₂	4 ¹ / ₄	3 ³ / ₄	14	9 ¹³ / ₁₆	3 ⁷ / ₁₆	2 ¹ / ₂	10 ³ / ₄	11 ¹ / ₁₆	10 @ 15.3	48	6 or less 6 ¹ / ₂ or more	19 ¹ / ₄ 23 ³ / ₈	3 ¹ / ₄ + TT	1/2	1 ³ / ₄
50-63	46 ⁷ / ₈	28 ³ / ₈	2 ¹ / ₈	8 ⁵ / ₁₆	5 ⁷ / ₈	18	11 ¹ / ₄	4	3	14 ³ / ₄	10 ¹⁵ / ₁₆	12 @ 20.7	48	11 or less 11 ¹ / ₂ or more	24 ⁵ / ₈ 30	4 ¹ / ₄ + TT	3/4	2 ¹ / ₄
64-110	Not available																	

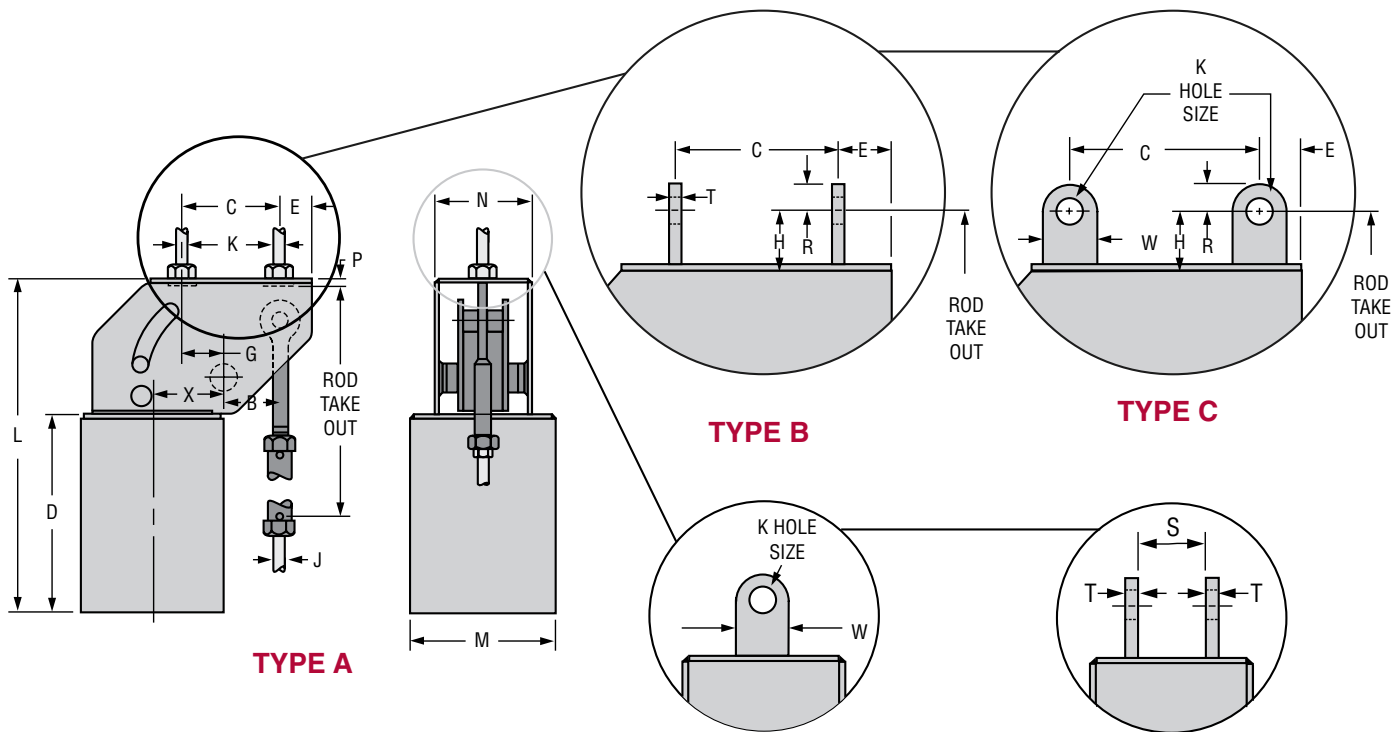
Rod take-out = (factor) - (TT / 2), for lever in high position.

Note: See the size selection chart (see page 184 through 187) for the "B" dimension.

Load (lbs)	0 800	801 1,500	1,501 2,540	2,541 4,000	4,001 6,100	6,101 9,400	9,401 13,400	13,401 18,300	18,301 24,700
J Rod Size	1/2	5/8	3/4	1	1 ¹ / ₄	1 ¹ / ₂	1 ³ / ₄	2	2 ¹ / ₄

Fig. 80-V Types A, B and C

Model R, Sizes 84 to 110



Note: "B" Dimensions is a function of total travel ("G" + "B" should not be assumed as equal to "C" Dimension)

Types A, B, and C sizes 84 through 110, for large loads and long travels, provide for basically the same methods of upper attachment as sizes 10 to 83 shown Type A on page 188, Type B page 190 and Type C see page 191.

Notes: See load travel tables, page 184 through 187 for "B" dimension. For weights see page 203.

FIG. 80-V, TYPES A,B,C SIZES 84 TO 110: DIMENSIONS (IN)

Hanger Sizes	L	C		D	E		G		H	M	N	P	X	Total Travel TT	Factor			J - Rod	
		Type A & B	Type C		Type A & B	Type C	Type A	Type B & C							Min Thread Length	Min	Max		
84-94	78¾	16	15	49¾	4	4½	1½	1	6	24	10½	3	12	9½ or less	45¾	54¾	10	2	3¾
														10 or more	55½	64½	13		
95-110	100	24	23	64	4	4½	7½	7	6	24	11½	3½	13½	14 or less	51⅞	60⅝	12	2½	3¾
														14½ or more	60⅞	69⅞	15		

*Rod take-out = (factor) - (.75 x TT), for Lever in high position

Note: See the size selection chart (page 184 through 187) for the "B" dimension.

Load (lbs)	14,376 18,300	18,301 24,700	24,701 31,000	31,001 39,000	39,001 48,000	48,001 58,000	58,001 69,000	69,001 87,500
J & K-Rods	2	2¼	2½	2¾	3	3¼*	3½*	3¾*
K-Hole	2⅝	2⅞	2⅞	3⅞	3⅞	3⅞	3⅞	4⅞
R	3	3	4	4	4	4½	4½	4½
S	2⅞	3⅞	3⅞	3⅞	3⅞	4⅞	4⅞	4⅞
T (Type B)	¾	¾	1	1	1	1	1½	1¾
T (Type C)							1¼	1¼
W	6	6	8	8	8	9	9	9

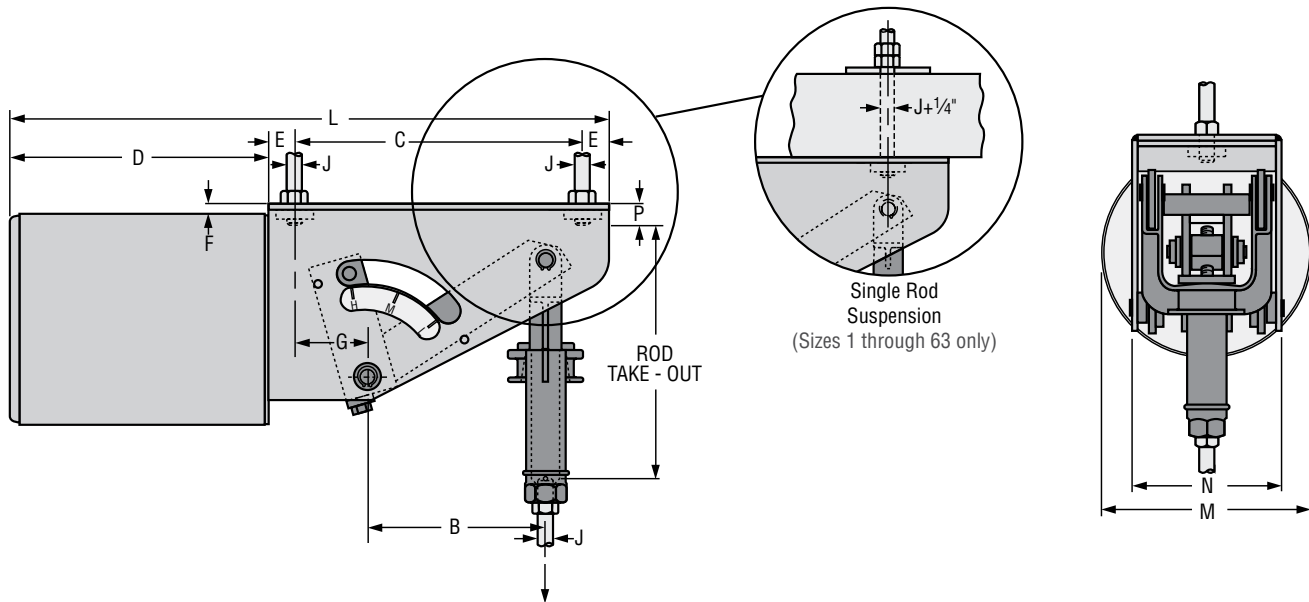
*¾ and larger is furnished with 4 UNC series thread.



CONSTANT SUPPORTS

Fig. 81-H Type A

Model R



Type A of the Figure 81- H Horizontal Design Model R Constant Support Hanger is designed for attaching to its supporting member by screwing two rods into tapped holes in the top of the hanger from a distance equal to the "P" dimension plus $\frac{3}{8}$ ". Sizes 1 to 9 are furnished with swivel eye and turnbuckle instead of yoke and coupling.

Notes: Also available for single rod suspension as indicated above. When ordering specify " for single rod suspension". See load travel tables, page 184 through 187 for "B" dimension. For weights see page 203. Location of travel indicator and contour of side plate may vary from that shown.

FIG. 81-H TYPE A: DIMENSIONS (IN)

Hanger Sizes	D	E	F	G	M	N	P	Total Travel TT	L	C	Factors	J-Rod		
												Min Thread Length	Rod Dia.	
													Min	Max
1-9	8 $\frac{1}{4}$	1	7 $\frac{1}{8}$	2	6 $\frac{1}{8}$	4 $\frac{1}{8}$	1 $\frac{3}{16}$	4 or less	16 $\frac{1}{4}$	6	12 $\frac{3}{4}$	1 $\frac{3}{4}$ + TT	1 $\frac{1}{2}$	1 $\frac{1}{2}$
								4 $\frac{1}{2}$ or more	20 $\frac{1}{4}$	10	15 $\frac{5}{16}$			
10-18	8 $\frac{7}{16}$	1	1 $\frac{1}{2}$	2 $\frac{9}{16}$	8 $\frac{5}{16}$	6 $\frac{7}{16}$	1 $\frac{1}{16}$	5 or less	18 $\frac{7}{16}$	8	10 $\frac{7}{8}$	1 $\frac{3}{4}$ + TT	1 $\frac{1}{2}$	3 $\frac{1}{4}$
								5 $\frac{1}{2}$ or more	21 $\frac{7}{16}$	11	13 $\frac{1}{4}$			
19-34	14 $\frac{7}{16}$	1 $\frac{1}{4}$	5 $\frac{1}{8}$	3 $\frac{3}{8}$	12 $\frac{7}{16}$	8 $\frac{9}{16}$	1 $\frac{1}{8}$	5 or less	26 $\frac{15}{16}$	10	16 $\frac{3}{4}$	2 $\frac{3}{8}$ + TT	1 $\frac{1}{2}$	1 $\frac{1}{4}$
								5 $\frac{1}{2}$ or more	31 $\frac{1}{16}$	14 $\frac{1}{8}$	18 $\frac{1}{8}$			
35-49	17 $\frac{7}{16}$	1 $\frac{3}{4}$	1 $\frac{1}{16}$	4 $\frac{3}{4}$	13 $\frac{3}{4}$	9 $\frac{3}{16}$	1 $\frac{3}{8}$	6 or less	31 $\frac{9}{16}$	11	21 $\frac{1}{8}$	3 $\frac{1}{4}$ + TT	1 $\frac{1}{2}$	1 $\frac{3}{4}$
								6 $\frac{1}{2}$ or more	39 $\frac{9}{16}$	19	25 $\frac{3}{4}$			
50-63	26 $\frac{3}{16}$	1 $\frac{11}{16}$	1 $\frac{5}{16}$	7 $\frac{11}{16}$	17 $\frac{11}{16}$	11 $\frac{1}{4}$	1 $\frac{3}{4}$	8 or less	45 $\frac{9}{16}$	16	24 $\frac{15}{16}$	4 $\frac{1}{4}$ + TT	3 $\frac{1}{4}$	2 $\frac{1}{4}$
								8 $\frac{1}{2}$ to 11	53 $\frac{9}{16}$	24	24 $\frac{15}{16}$			
								11 $\frac{1}{2}$ or more	53 $\frac{9}{16}$	24	30 $\frac{1}{4}$			
64-74	35 $\frac{3}{4}$	3	3 $\frac{1}{4}$	5 $\frac{1}{4}$	22 $\frac{3}{16}$	11	3 $\frac{7}{16}$	10 $\frac{1}{2}$ or less	57 $\frac{1}{2}$	15 $\frac{3}{4}$	34 $\frac{7}{16}$	5 $\frac{1}{4}$ + TT	1 $\frac{1}{4}$	2 $\frac{3}{4}$
								11 or more	63	21 $\frac{1}{4}$	34 $\frac{9}{16}$			
75-83	35 $\frac{3}{4}$	3 $\frac{3}{4}$	3 $\frac{5}{8}$	5	27 $\frac{3}{16}$	11	4 $\frac{1}{4}$	10 $\frac{1}{2}$ or less	57 $\frac{1}{2}$	15 $\frac{3}{4}$	36 $\frac{1}{2}$	5 $\frac{1}{4}$ + TT	1 $\frac{1}{2}$	3 $\frac{1}{4}$
								11 or more	63	20 $\frac{3}{4}$	36 $\frac{5}{8}$			
84-110	See page 202													

*Rod take-out = (factor)-(TT / 2) for lever in high position.

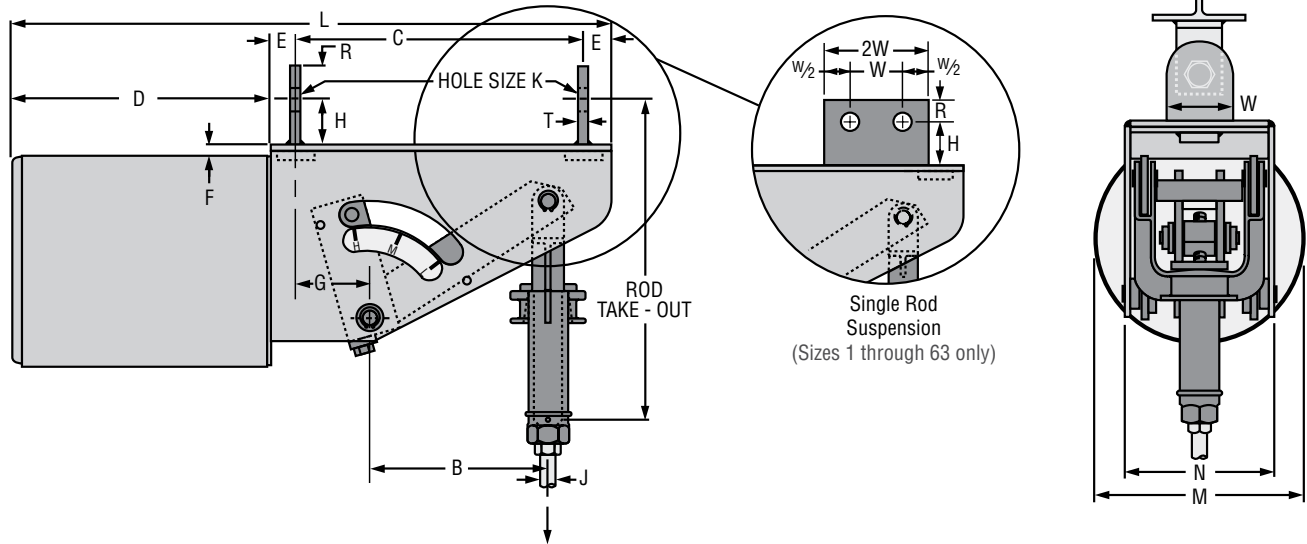
J-ROD SELECTION CHART

Load (lbs)	0 800	801 1,500	1,501 2,540	2,541 4,000	4,001 6,100	6,101 9,400	9,401 13,400	13,401 18,300	18,301 24,700	24,701 31,000	31,001 39,000	39,001 48,000	48,001 58,000
Rod Size	1/2	5/8	3/4	1	1 1/4	1 1/2	1 3/4	2	2 1/4	2 1/2	2 3/4	3	3 1/4*

* 3 1/4" is furnished with 4 UNC series thread.

Fig. 81-H Type B

Model R



Type B is furnished with two lugs – one at each end of the hanger frame. These lugs permit use of Fig. 66 welded beam attachments, clevises or angle clips for attachment where headroom is limited. Sizes 1 to 9 are furnished with swivel eye and turnbuckle instead of yoke and coupling.

Notes: Also available for single rod suspension as indicated above. When ordering specify “for single rod suspension.” See load travel tables, page 184 through 187 for “B” dimension. For weights see page 203. Location of travel indicator and contour of side plate may vary from that shown.

FIG. 81-H TYPE B: DIMENSIONS (IN)

Hanger Sizes	D	E	F	G	H	M	N	Total Travel TT	L	C	Factors	J-Rod		
												Min Thd Length	Rod Dia.	
													Min	Max
1 - 9	8 ¹ / ₄	1 ¹ / ₄	7 ⁷ / ₈	1 ³ / ₄	1 ¹ / ₂	6 ¹ / ₈	4 ¹ / ₈	4 or less	16 ¹ / ₄	5 ¹ / ₂	14 ⁵ / ₈	1 ³ / ₄ + TT	1/2	1/2
								4 ¹ / ₂ or more	20 ¹ / ₄	9 ¹ / ₂	17 ³ / ₁₆			
10 - 18	8 ⁷ / ₁₆	1 ¹ / ₄	1/2	2 ⁵ / ₁₆	1 ¹ / ₂	8 ⁵ / ₁₆	6 ⁷ / ₁₆	5 or less	18 ¹ / ₁₆	7 ¹ / ₂	13 ¹ / ₁₆	1 ³ / ₄ + TT	1/2	3/4
								5 ¹ / ₂ or more	21 ¹ / ₁₆	10 ¹ / ₂	15 ¹ / ₁₆			
19 - 34	14 ⁷ / ₁₆	1 ³ / ₈	5/8	3 ³ / ₄	2	12 ⁷ / ₁₆	8 ⁹ / ₁₆	5 or less	26 ¹⁵ / ₁₆	9 ³ / ₄	19 ⁷ / ₈	2 ³ / ₈ + TT	1/2	1 ¹ / ₄
								5 ¹ / ₂ or more	31 ¹ / ₁₆	13 ³ / ₈	22			
35 - 49	16 ¹³ / ₁₆	2	1 ¹ / ₁₆	4 ¹ / ₂	3	13 ³ / ₄	9 ¹³ / ₁₆	6 or less	31 ¹ / ₁₆	10 ¹ / ₂	25 ⁵ / ₈	3 ¹ / ₄ + TT	1/2	1 ³ / ₄
								6 ¹ / ₂ or more	39 ⁹ / ₁₆	18 ¹ / ₂	30 ¹ / ₈			
								8 or less	45 ⁵ / ₁₆	13 ³ / ₈	30 ¹¹ / ₁₆			
50 - 63	26 ³ / ₁₆	3	1 ⁵ / ₁₆	6 ³ / ₈	4	17 ³ / ₈	11 ¹ / ₄	8 ¹ / ₂ to 11	53 ³ / ₁₆	21 ³ / ₈	30 ¹¹ / ₁₆	4 ¹ / ₄ + TT	3/4	2 ¹ / ₄
								11 ¹ / ₂ or more	53 ³ / ₁₆	21 ³ / ₈	36			
64 - 74	35 ³ / ₄	3 ³ / ₄	3 ³ / ₄	5	4 ¹ / ₂	22 ³ / ₁₆	11	10 ¹ / ₂ or less	57 ¹ / ₂	15 ¹ / ₄	42 ³ / ₈	5 ³ / ₄ + TT	1 ¹ / ₄	2 ³ / ₄
								11 or more	63	20 ³ / ₄	42 ¹ / ₂			
75 - 83	35 ³ / ₄	3 ¹ / ₂	3 ⁵ / ₈	4 ³ / ₄	5	27 ³ / ₁₆	11	10 ¹ / ₂ or less	57 ¹ / ₂	14 ³ / ₄	45 ³ / ₄	5 ³ / ₄ + TT	1 ¹ / ₂	3 ¹ / ₄ **
								11 or more	63	20 ¹ / ₄	45 ⁷ / ₈			
84 - 110	See page 202													

* Rod take-out = (factor) - (TT / 2), for lever in high position.

J-ROD AND K-HOLE SELECTION CHART

Load (lbs)	0 800	801 1,500	1,501 2,540	2,541 4,000	4,001 6,100	6,101 9,400	9,401 13,400	13,401 18,300	18,301 24,700	24,701 31,000	31,001 39,000	39,001 48,000	48,001 58,000
J-rod	1/2	5/8	3/4	1	1 ¹ / ₄	1 ¹ / ₂	1 ³ / ₄	2	2 ¹ / ₄	2 ¹ / ₂	2 ³ / ₄	3	3 ¹ / ₄ **
K-Hole Size	1 ¹ / ₁₆	1 ³ / ₁₆	1 ⁵ / ₁₆	1 ¹ / ₄	1 ¹ / ₂	1 ³ / ₄	2	2 ³ / ₈	2 ⁵ / ₈	2 ⁷ / ₈	3 ¹ / ₈	3 ³ / ₈	3 ⁵ / ₈
R	1 ¹ / ₄	1 ¹ / ₄	1 ¹ / ₄	1 ¹ / ₂	2	2 ¹ / ₂	2 ¹ / ₂	3	3	4	4	4	4 ¹ / ₂
T	1/4*	1/4*	3/8	1/2	5/8	3/4	3/4	3/4	3/4	1	1	1	1
W	2 ¹ / ₂	2 ¹ / ₂	2 ¹ / ₂	3	4	5	5	6	6	8	8	8	9

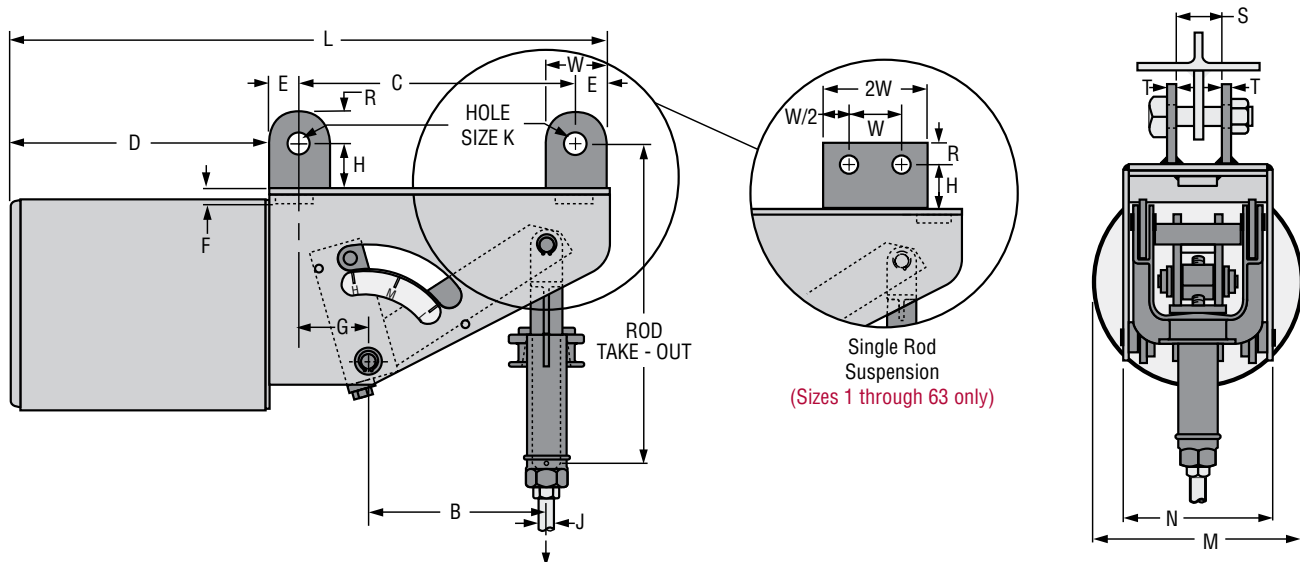
* 3/8" for single rod suspension ** 3/4" is furnished with 4 UNC series thread.



CONSTANT SUPPORTS

Fig. 81-H Type C

Model R



Type C is furnished with two pair of lugs, one pair of lugs at each of the hanger frame. These lugs permit the use of two eye rods or two single plates for attachment where headroom is limited. Sizes 1 to 9 are furnished with swivel eye and turnbuckle instead of yoke and coupling.

Notes: Also available for single rod suspension as indicated above. When ordering specify "for single rod suspension." See load travel tables, page 184 through 187 for "B" dimension. For weights see page 205. Location of travel indicator and contour of side plate may vary from that shown.

FIG. 81-H TYPE C: DIMENSIONS (INCHES)

Hanger Sizes	D	E	F	G	H	M	N	Total Travel TT	L	C	Factors	J-Rod		
												Min Thd Length	Rod Dia.	
												Min	Max	
1 - 9	8 ¹ / ₄	1 ¹ / ₄	7 ⁷ / ₈	1 ³ / ₄	1 ¹ / ₂	6 ⁵ / ₈	4 ¹ / ₈	4 or less	16 ¹ / ₄	5 ¹ / ₂	14 ³ / ₈	1 ³ / ₄ + TT	1/2	1/2
								4 ¹ / ₂ or more	20 ³ / ₄	9 ¹ / ₂	17 ³ / ₁₆			
10 - 18	8 ⁷ / ₁₆	1 ¹ / ₄	1/2	2 ⁵ / ₁₆	1 ¹ / ₂	8 ⁵ / ₁₆	6 ⁷ / ₁₆	5 or less	18 ¹ / ₁₆	7 ¹ / ₂	13 ¹ / ₁₆	1 ³ / ₄ + TT	1/2	3/4
								5 ¹ / ₂ or more	21 ¹ / ₁₆	10 ¹ / ₂	15 ⁷ / ₁₆			
19 - 34	14 ⁷ / ₁₆	2	5/8	3 ³ / ₈	2	12 ⁷ / ₁₆	8 ⁹ / ₁₆	5 or less	26 ¹⁵ / ₁₆	8 ¹ / ₂	19 ⁷ / ₈	2 ³ / ₈ + TT	1/2	1 ¹ / ₄
								5 ¹ / ₂ or more	31 ¹ / ₁₆	12 ⁵ / ₈	22			
35 - 49	17 ¹ / ₁₆	2 ¹ / ₂	1 ¹ / ₁₆	4	3	13 ³ / ₄	9 ¹³ / ₁₆	6 or less	31 ¹ / ₁₆	9 ¹ / ₂	25 ⁵ / ₈	3 ¹ / ₄ + TT	1/2	1 ³ / ₄
								6 ¹ / ₂ or more	39 ⁹ / ₁₆	17 ¹ / ₂	30 ³ / ₈			
50 - 63	26 ³ / ₁₆	3	1 ⁵ / ₁₆	6 ³ / ₈	4	17 ¹¹ / ₁₆	11 ¹ / ₄	8 or less	45 ⁵ / ₁₆	13 ³ / ₈	30 ¹¹ / ₁₆	4 ¹ / ₄ + TT	3/4	2 ¹ / ₄
								8 ¹ / ₂ to 11	53 ³ / ₁₆	21 ³ / ₈	30 ¹¹ / ₁₆			
								11 ¹ / ₂ or more	53 ³ / ₁₆	21 ³ / ₈	36			
64 - 74	35 ³ / ₄	4	3 ¹ / ₄	4 ¹ / ₄	4 ¹ / ₂	22 ³ / ₁₆	11	10 ¹ / ₂ or less	57 ¹ / ₂	13 ³ / ₄	42 ³ / ₈	5 ³ / ₄ + TT	1 ¹ / ₄	2 ³ / ₄
								11 or more	63	19 ¹ / ₄	42 ¹ / ₂			
75 - 83	35 ³ / ₄	4 ¹ / ₂	3 ⁵ / ₈	3 ³ / ₄	5	27 ³ / ₁₆	11	10 ¹ / ₂ or less	57 ¹ / ₂	12 ³ / ₄	45 ³ / ₄	5 ³ / ₄ + TT	1 ¹ / ₂	3 ¹ / ₄
								11 or more	63	18 ¹ / ₄	45 ³ / ₄			
84 - 110	See page 202													

* Rod take-out = (factor) - (TT / 2), for lever in high position.

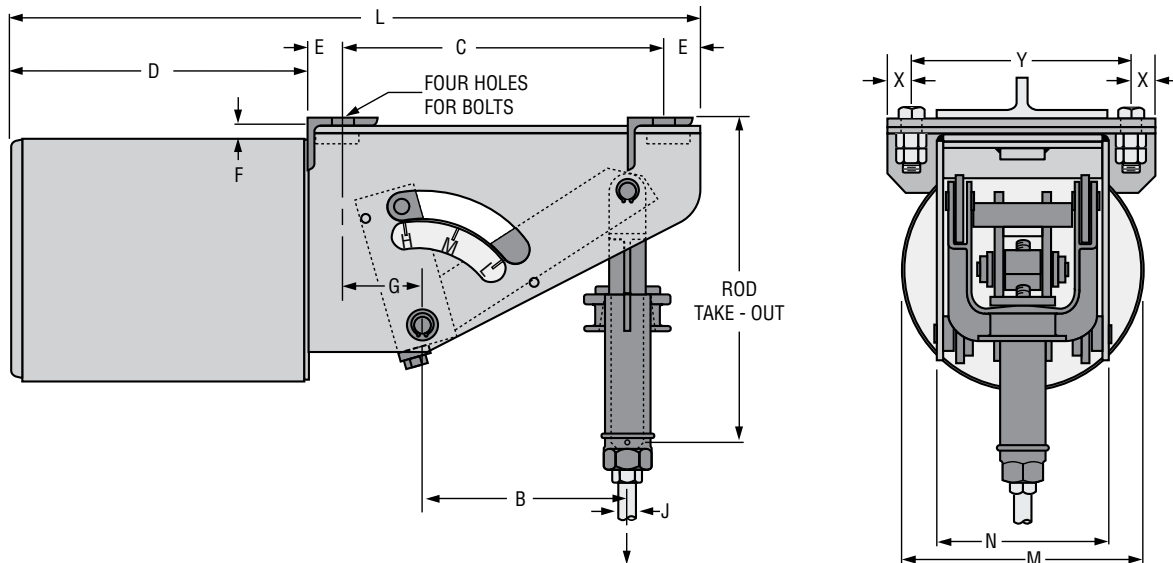
J-ROD AND K-HOLE SELECTION CHART

Load (lbs)	0 800	801 1,500	1,501 2,540	2,541 4,000	4,001 6,100	6,101 9,400	9,401 13,400	13,401 18,300	18,301 24,700	24,701 31,000	31,001 39,000	39,001 48,000	48,001 58,000
J-Rod	1/2	5/8	3/4	1	1 ¹ / ₄	1 ¹ / ₂	1 ³ / ₄	2	2 ¹ / ₄	2 ¹ / ₂	2 ³ / ₄	3	3 ¹ / ₄ **
K-Hole Size	1 ¹ / ₁₆	1 ³ / ₁₆	1 ⁵ / ₁₆	1 ¹ / ₄	1 ¹ / ₂	1 ³ / ₄	2	2 ³ / ₈	2 ⁵ / ₈	2 ⁷ / ₈	3 ¹ / ₈	3 ³ / ₈	3 ⁵ / ₈
R	1 ¹ / ₄	1 ¹ / ₄	1 ¹ / ₄	1 ¹ / ₂	2	2 ¹ / ₂	2 ¹ / ₂	3	3	4	4	4	4 ¹ / ₂
S	7/8	1 ¹ / ₁₆	1 ¹ / ₄	1 ⁵ / ₈	2	2 ³ / ₈	2 ³ / ₈	2 ⁷ / ₈	3 ¹ / ₈	3 ³ / ₈	3 ⁵ / ₈	3 ⁷ / ₈	4 ¹ / ₈
T	1/4*	1/4*	3/8	1/2	5/8	3/4	3/4	3/4	3/4	1	1	1	1
W	2 ¹ / ₂	2 ¹ / ₂	2 ¹ / ₂	3	4	5	5	6	6	8	8	8	9

* 3/8" for single rod suspension ** 3¹/₄" is furnished with 4 UNC series thread.

Fig. 81-H Type D

Model R



Type D may be bolted directly under steel. Sizes 1 to 9 are furnished with swivel eye and turnbuckle instead of yoke and coupling.

Notes: See load travel tables, page 184 through 187 for "B" dimension. For weights see page 203. Location of travel indicator and contour of side plate may vary from that shown.

FIG. 81-H TYPE D: DIMENSIONS (INCHES)

Hanger Sizes	D	E	F	G	M	N	X	Y	Angle Size	Bracket Hole Dia.	Total Travel TT	L	C	Factors	J-Rod		
															Min Thd Length	Rod Dia.	
																Min	Max
1 - 9	8 ³ / ₄	1	7 ¹ / ₈	2	6 ¹ / ₈	4 ¹ / ₈	3 ¹ / ₄	5 ⁵ / ₈	2 x 2 x 1/4	9 ¹ / ₁₆	4 or less	16 ¹ / ₄	6	13 ³ / ₈	1 ³ / ₄ + TT	1/2	1/2
											4 ¹ / ₂ or more	20 ¹ / ₄	10	15 ¹⁵ / ₁₆			
10 - 18	8 ⁷ / ₁₆	3 ¹ / ₄	1/2	2 ⁹ / ₁₆	8 ⁵ / ₁₆	6 ⁷ / ₁₆	7 ¹ / ₈	8 ¹ / ₁₆	1 1/2 x 1 1/2 x 1/4	3/4	5 or less	18 ⁷ / ₁₆	3 1/2	11 ¹³ / ₁₆	1 ³ / ₄ + TT	1/2	3/4
											5 1/2 or more	21 ⁷ / ₁₆	6	14 ³ / ₁₆			
19 - 34	14 ⁷ / ₁₆	1 1/2	5/8	3 ⁵ / ₈	12 ⁷ / ₁₆	8 ⁹ / ₁₆	1 1/8	11 ⁵ / ₁₆	3 x 3 1/2 x 1/4	3/4	5 or less	26 ¹⁵ / ₁₆	9 1/2	17 ³ / ₄	2 ³ / ₈ + TT	1/2	1 1/4
											5 1/2 or more	31 ¹ / ₁₆	13 ⁵ / ₈	19 ⁷ / ₈			
35 - 49	17 ¹ / ₁₆	2	1 1/16	4 1/2	13 ³ / ₄	9 ⁹ / ₁₆	1 3/8	13	3 x 4 x 3/8	7/8	6 or less	31 ¹ / ₁₆	10 1/2	20 ³ / ₁₆	3 1/4 + TT	1/2	1 3/4
											6 1/2 or more	39 ⁹ / ₁₆	18 1/2	25 ¹ / ₁₆			
50 - 63	26 ³ / ₁₆	2	1 5/16	7 3/8	17 ¹¹ / ₁₆	11 1/4	1 5/8	14 ⁵ / ₈	4 x 4 x 3/8	1 3/8	8 or less	45 ⁹ / ₁₆	15 ³ / ₈	27 ¹ / ₁₆	4 1/4 + TT	3/4	2 1/4
											8 1/2 to 11	53 ³ / ₁₆	23 ³ / ₈	27 ¹ / ₁₆			
											11 or more	53 ³ / ₁₆	23 ³ / ₈	32 ³ / ₈			
64 - 74	35 ³ / ₄	3	3 3/4	5 1/4	22 ³ / ₁₆	11	2	15	4 x 6 x 1/2	1 5/8	10 1/2 or less	57 1/2	15 ³ / ₄	38 ³ / ₈	5 3/4 + TT	1 1/4	2 3/4
											11 or more	63	21 1/4	38 1/2			
75 - 83	35 ³ / ₄	3	3 3/8	4 3/4	27 ³ / ₁₆	11	2	15	4 x 6 x 1/2	1 5/8	10 1/2 or less	57 1/2	15 ³ / ₄	41 1/4	5 3/4 + TT	1 1/2	3 1/4
											11 or more	63	21 1/4	41 ³ / ₈			
84 - 110	Not available																

* Rod take-out = factor - (TT / 2), for lever in high position.

J-ROD SELECTION CHART

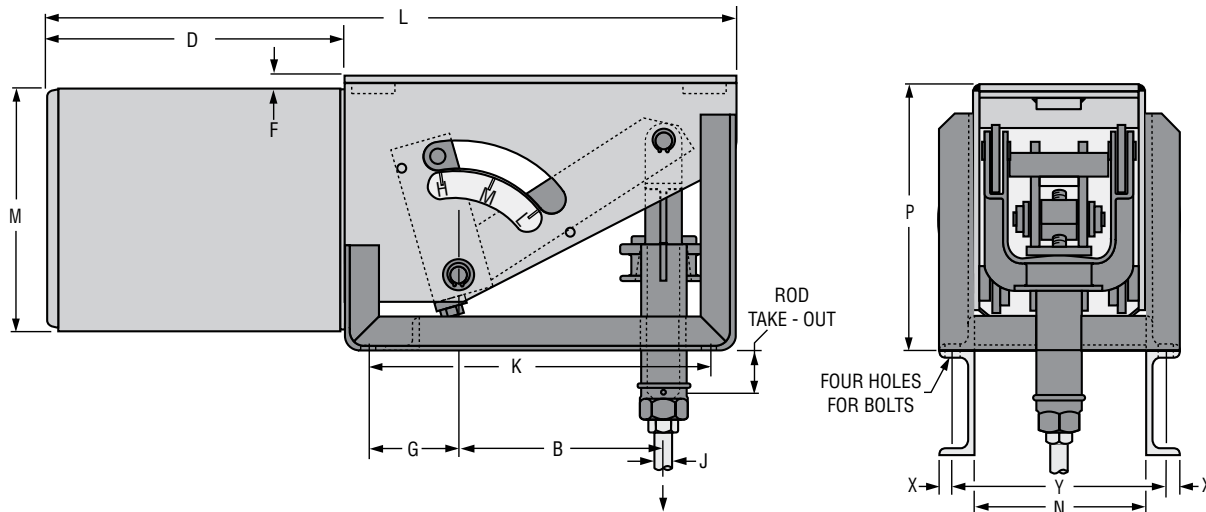
Load (lbs)	0 800	801 1,500	1,501 2,540	2,541 4,000	4,001 6,100	6,101 9,400	9,401 13,400	13,401 18,300	18,301 24,700	24,701 31,000	31,001 39,000	39,001 48,000	48,001 58,000
J Rod Size	1/2	5/8	3/4	1	1 1/4	1 1/2	1 3/4	2	2 1/4	2 1/2	2 3/4	3	3 1/4*

*3 1/4" is furnished with 4 UNC series thread.

CONSTANT SUPPORTS

Fig. 81-H Type E

Model R



Type E incorporates two brackets as part of its frame, permitting the bolting of the constant support to the top of structural steel. Sizes 1 to 9 are furnished with swivel eye and turnbuckle instead of yoke and coupling. If rod take-out does not exceed the depth of the supporting steel and rod coupling is required to extend below the steel,

specify the depth of the supporting steel. Increase rod take-out by the depth of the steel.

Notes: See load travel tables, page 184 through 187 for "B" dimension. For weights see page 203. Location of travel indicator and contour of side plate may vary from that shown.

FIG. 81-H TYPE E: DIMENSIONS (IN)

Hanger Sizes	D	F	G	M	N	P	X	Y	Angle Size	Bkt. Hole Dia.	Total Travel TT	L	K	Factors	J-Rod		
															Min Thd Length	Rod Dia.	
																Min	Max
1 - 9	8 ³ / ₄	1 ¹ / ₄	2	6 ¹ / ₈	4 ¹ / ₈	8 ¹ / ₂	5 ⁵ / ₈	5 ¹⁵ / ₁₆	1 ¹ / ₂ x 1 ¹ / ₂ x 1 ¹ / ₄	9 ¹ / ₁₆	4 or less	16 ¹ / ₄	6	5 ¹ / ₈	1 ³ / ₄ + TT	1 ¹ / ₂	1 ¹ / ₂
											4 ¹ / ₂ or more	20 ¹ / ₄	10	7 ¹ / ₁₆			
10 - 18	8 ⁷ / ₁₆	1	2 ¹ / ₁₆	8 ⁵ / ₁₆	6 ⁷ / ₁₆	11 ⁷ / ₁₆	5 ⁵ / ₈	8 ¹⁵ / ₁₆	1 ¹ / ₂ x 2 x 1 ¹ / ₄	3 ³ / ₄	5 or less	18 ⁷ / ₁₆	7 ¹ / ₂	1 ³ / ₄	1 ³ / ₄ + TT	1 ¹ / ₂	3 ³ / ₄
											5 ¹ / ₂ or more	21 ⁷ / ₁₆	7 ¹ / ₂	4 ¹ / ₁₆			
19 - 34	14 ⁷ / ₁₆	5 ⁵ / ₈	3 ⁵ / ₈	12 ⁷ / ₁₆	8 ⁹ / ₁₆	15 ⁵ / ₈	5 ⁵ / ₈	11 ³ / ₁₆	1 ¹ / ₂ x 2 ¹ / ₂ x 1 ¹ / ₄	3 ³ / ₄	5 or less	26 ¹⁵ / ₁₆	10	3 ³ / ₈	2 ³ / ₈ + TT	1 ¹ / ₂	1 ¹ / ₄
											5 ¹ / ₂ or more	31 ¹ / ₁₆	10	5 ¹ / ₂			
35 - 49	17 ¹ / ₁₆	1 ¹ / ₁₆	4 ¹ / ₂	13 ³ / ₄	9 ¹³ / ₁₆	19 ⁵ / ₈	1 ³ / ₁₆	13 ⁵ / ₁₆	3 x 2 x 3 ³ / ₈	7 ⁵ / ₈	6 or less	31 ¹ / ₁₆	11 ⁵ / ₈	4 ³ / ₈	3 ¹ / ₄ + TT	1 ¹ / ₂	1 ³ / ₄
											6 ¹ / ₂ or more	39 ⁹ / ₁₆	11 ⁵ / ₈	9 ¹ / ₂			
50 - 63	26 ³ / ₁₆	1 ⁵ / ₁₆	7 ⁵ / ₈	17 ¹¹ / ₁₆	11 ¹ / ₄	19 ³ / ₄	1 ⁵ / ₁₆	14 ¹¹ / ₁₆	3 x 3 x 3 ³ / ₈	1 ³ / ₈	8 or less	45 ⁹ / ₁₆	15 ⁵ / ₈	6 ³ / ₈	4 ¹ / ₄ + TT	3 ³ / ₄	2 ¹ / ₄
											8 ¹ / ₂ to 11	53 ⁹ / ₁₆	23 ³ / ₈	6 ³ / ₈			
											11 ¹ / ₂ or more	53 ⁹ / ₁₆	23 ³ / ₈	12 ¹ / ₄			
64 - 74	35 ³ / ₄	3 ³ / ₄	5 ¹ / ₄	22 ³ / ₁₆	11	26 ⁷ / ₈	1 ⁹ / ₁₆	14 ¹⁵ / ₁₆	3 ¹ / ₂ x 3 ¹ / ₂ x 1 ¹ / ₂	1 ⁵ / ₈	10 ¹ / ₂ or less	57 ¹ / ₂	17 ¹ / ₂	11 ¹ / ₈	5 ³ / ₄ + TT	1 ¹ / ₄	2 ¹ / ₄
											11 or more	63	23	11 ¹ / ₄			
75 - 83	35 ³ / ₄	3 ⁵ / ₈	4 ³ / ₄	27 ³ / ₁₆	11	31 ¹ / ₈	1 ⁹ / ₁₆	14 ¹⁵ / ₁₆	3 ¹ / ₂ x 3 ¹ / ₂ x 1 ¹ / ₂	1 ⁵ / ₈	10 ¹ / ₂ or less	57 ¹ / ₂	17 ¹ / ₂	9	5 ³ / ₄ + TT	1 ¹ / ₂	3 ³ / ₄
											11 or more	63	23	9 ¹ / ₈			
84 - 110	Refer to page 202																

* Rod take-out = (factor) - (TT / 2), for lever in high position.

J-ROD SELECTION CHART

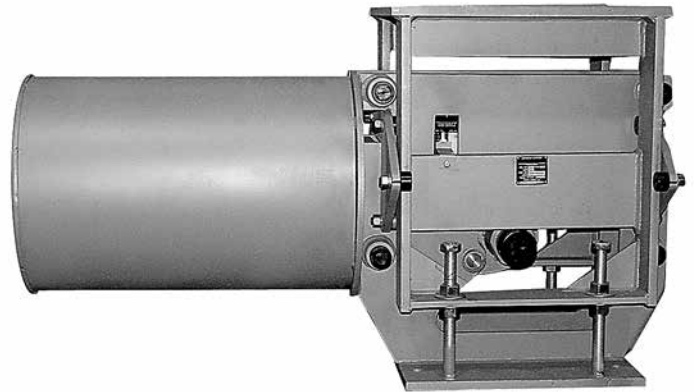
Load (lbs)	0 800	801 1,500	1,501 2,540	2,541 4,000	4,001 6,100	6,101 9,400	9,401 13,400	13,401 18,300	18,301 24,700	24,701 31,000	31,001 39,000	39,001 48,000	48,001 58,000
J Rod Size	1/2	5/8	3/4	1	1 1/4	1 1/2	1 3/4	2	2 1/4	2 1/2	2 3/4	3	3 1/4*

*3 1/4" is furnished with 4 UNC series thread.

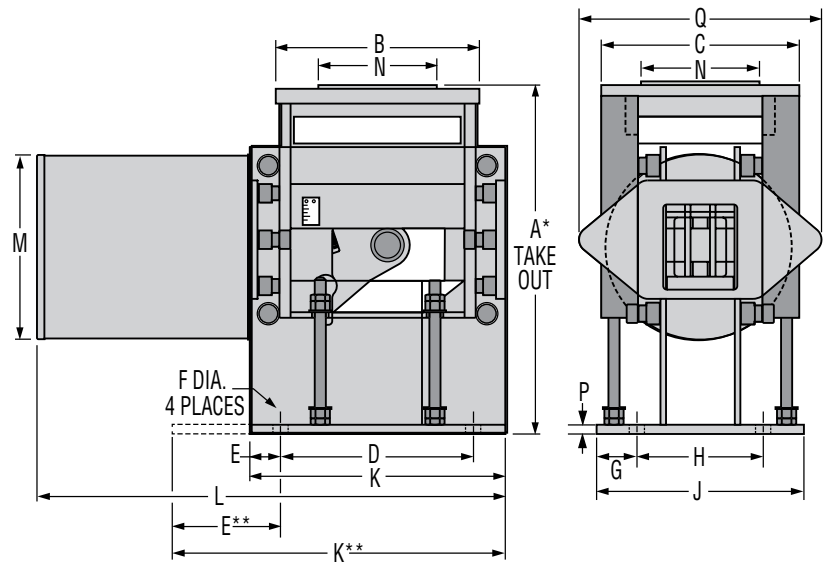
Fig. 81-H Type F Upthrust

Model R

The Upthrust is for support of piping or equipment from below. It has a base flange for fastening to the floor or beams. The load is supported during hydrostatic testing by means of (4) positioning studs. After testing the nuts are moved to either end of the stud to prevent interference during operation. The Upthrust constant support is available for loads up to 24,463 (lbs). Corrosion resistant units are available either galvanized or carbon-zinc painted.



TAKE-OUT FACTOR* "A"					
T.T.	Sizes				
	10 - 18	19 - 34	35 - 49	50 - 63	64 - 74
2.0	16 1/8	23 1/8	-	-	-
2.5			-	-	-
3.0			-	-	-
3.5			-	-	-
4.0	19 7/8	25 3/4	28 1/2	43 1/4	-
4.5					-
5.0					-
5.5					-
6.0	27 1/2	31 5/8	34	-	-
6.5				-	
7.0				-	
7.5				-	
8.0	-	-	-	-	-
8.5	-	-	-	-	-
9.0	-	-	-	-	-
9.5	-	-	-	-	-
10.0	-	-	-	-	-



Notes: * Shorter "A" Dimensions are available upon request.
 ** For sizes 64 - 74 only.

* For down travel: Take-Out = "A" + (1/2) Actual Travel
 For up travel: Take-Out = "A" - (1/2) Actual Travel

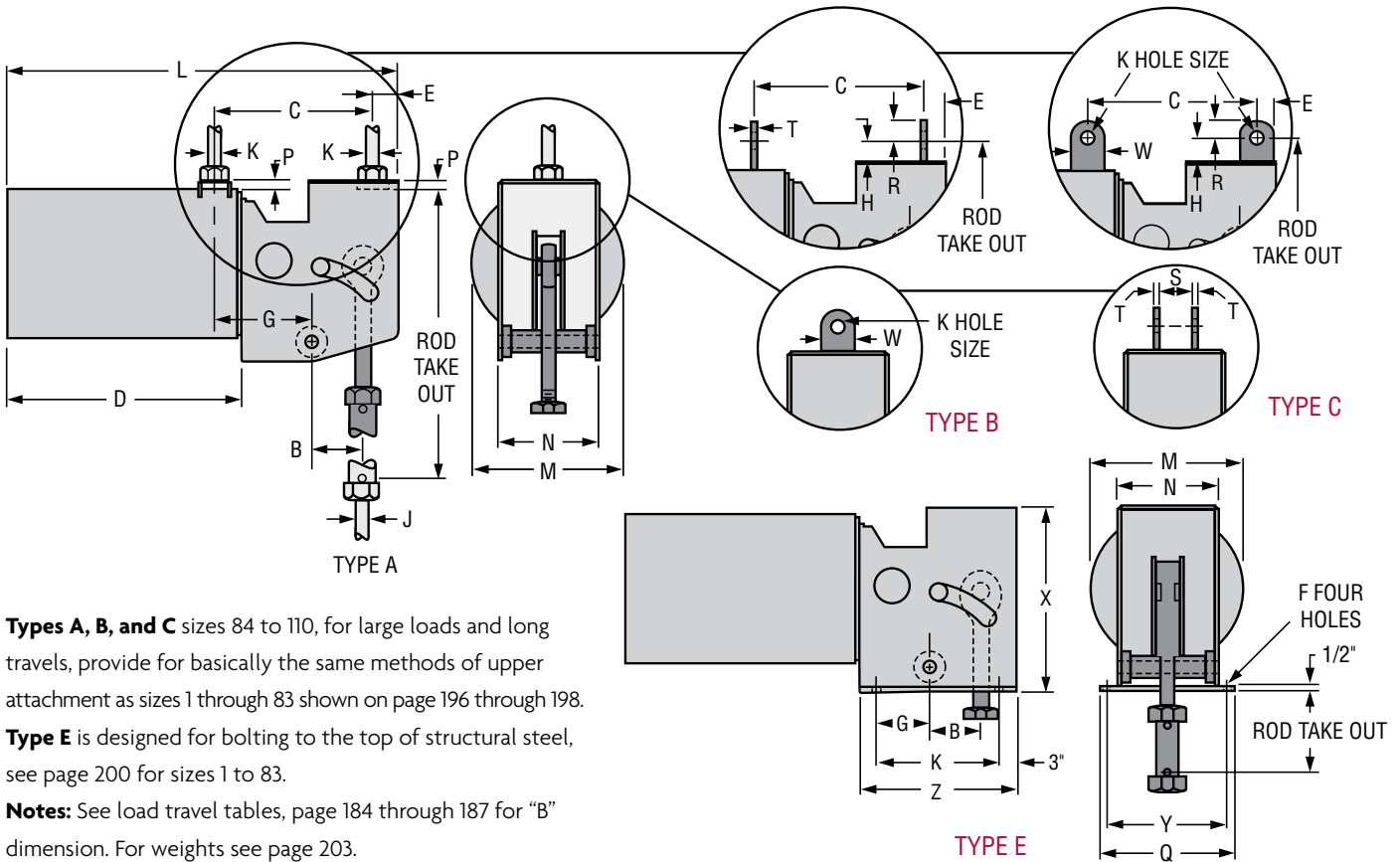
FIG. 81-H TYPE F: DIMENSIONS (IN)																
Size	Total Travel TT	A	B	C	D	E	F	G	H	J	K	L	M	N	P	Q
10 - 18	2 - 6	See Take Out	10 7/8	11 7/8	9	2 1/2	3/4	2	8	12	14	22 7/16	8 1/4	5	1/2	13 7/8
19 - 34	2 - 8		13 3/4	13 3/4	13	2 1/8			10	14	17 1/4	31 5/8	12 1/2	8	5/8	16 5/8
35 - 49	2 1/2 - 10		17 7/8	16 1/4	17	2	7/8		13	17	21	38 1/4	13 5/8		10	3/4
50 - 63	3 - 10		21 5/8	19 1/4	16 1/2	4 5/8		3 5/8	11 3/4	19	22 7/16	52	17 3/8	23 1/4		
64 - 74	4 - 10		30	25 5/8	22 5/8	16 15/16	1 1/8 Slot	4 7/16	22 5/8	31	43 3/4	65 1/2	22	28		



CONSTANT SUPPORTS

Fig. 81-H, Types A, B, C and E

Model R, Sizes 84 to 110



Types A, B, and C sizes 84 to 110, for large loads and long travels, provide for basically the same methods of upper attachment as sizes 1 through 83 shown on page 196 through 198.

Type E is designed for bolting to the top of structural steel, see page 200 for sizes 1 to 83.

Notes: See load travel tables, page 184 through 187 for "B" dimension. For weights see page 203.

FIG. 81-H, TYPES A, B, C AND E: DIMENSIONS (IN)

Hanger Size	L	C		D	E		F	G		H	K	M	N	P	Q	X	Y	Z	Total Travel TT	Factors			J-Rod		
		Type A&B	Type C		Type A&B	Type C		Type A&B & C	Type E											Type A	Type B&C	Type E	Min Thd Lgth	Rod Dia.	
																							Min	Max	
84-94	76 ³ / ₄	28	27 ¹ / ₂	49 ³ / ₄	4	4 ¹ / ₂	1 ¹ / ₈	14	6	6	21	24	10 ¹ / ₂	3	16	34	13	27	9 ¹ / ₂ or less	45 ³ / ₄	54 ³ / ₄	21 ¹ / ₈	10	2	3 ³ / ₄
																			10 or more	55 ¹ / ₂	64 ¹ / ₂	31 ³ / ₈	13		
95-110	100	49	48 ¹ / ₂	64	4	4 ¹ / ₂	1 ³ / ₈	28 ³ / ₄	8 ³ / ₄	6	30	24	11 ¹ / ₂	3 ¹ / ₂	17	37	14 ¹ / ₂	36	14 or less	56 ¹ / ₂	66	17 ⁵ / ₈	12	2 ¹ / ₂	3 ³ / ₄
																			14 ¹ / ₂ or more	65 ³ / ₄	74 ³ / ₄	26 ⁵ / ₈	15		

* Rod take-out = (factor) - (0.75 x TT), for lever in high position.

Load (lbs)	14,376 18,300	18,301 24,700	24,701 31,000	31,001 39,000	39,001 48,000	48,001 58,000	58,001 69,000	69,001 87,500
J & K-Rods	2	2 ¹ / ₄	2 ¹ / ₂	2 ³ / ₄	3	3 ¹ / ₄ *	3 ¹ / ₂ *	3 ³ / ₄ *
K-Hole	2 ³ / ₈	2 ⁵ / ₈	2 ⁷ / ₈	3 ¹ / ₈	3 ³ / ₈	3 ⁵ / ₈	3 ⁷ / ₈	4 ¹ / ₈
R	3	3	4	4	4	4 ¹ / ₂	4 ¹ / ₂	4 ¹ / ₂
S	2 ⁷ / ₈	3 ¹ / ₈	3 ³ / ₈	3 ⁵ / ₈	3 ⁷ / ₈	4 ¹ / ₈	4 ³ / ₈	4 ⁵ / ₈
T (Type B)	3/4	3/4	1	1	1	1	1 ¹ / ₂	1 ³ / ₄
T (Type C)							1 ¹ / ₄	1 ¹ / ₄
W	6	6	8	8	8	9	9	9

*3³/₄ and larger is furnished with 4 UNC series thread.

Fig. 80-V and 81-H

Weight Chart (approx) lbs, each

Hanger Sizes	Fig 80-V			Fig 81-H			
	Types A, B, C, D & E		Type G ■	Types A, B, C, D & E		Type F	
	Net	Shipping	Net	Net	Shipping	Net	Shipping
1 to 3	-	-	-	18	20	-	-
4 to 6	-	-	-	21	23	-	-
7 to 9	-	-	-	23	25	-	-
10 to 12	62	67	160	52	57	174	179
13 to 15	65	70	166	55	60	177	182
16 to 18	70	75	176	60	65	182	187
19 to 20	163	171	371	150	158	415	423
21 to 23	165	173	375	152	160	417	425
24 to 26	172	180	389	159	167	424	432
27 to 29	180	188	405	167	175	432	440
30 to 32	187	195	419	174	182	439	447
33 to 34	195	203	435	182	190	447	455
35 to 37	300	312	676	280	292	640	652
38 to 40	315	327	706	295	307	655	667
41 to 43	332	344	740	312	324	672	684
44 to 46	343	355	762	323	335	683	695
47 to 49	360	372	796	340	352	700	712
50 to 51	601	661	1,278	511	571	1,181	1,241
52 to 54	626	686	1,328	536	596	1,206	1,266
55 to 57	665	725	1,406	575	635	1,245	1,305
58 to 60	706	766	1,488	616	676	1,286	1,346
61 to 63	745	805	1,566	655	715	1,325	1,385
64 to 65	1,468	1,568	-	1,225	1,325	-	-
66 to 68	1,568	1,668	-	1,325	1,425	-	-
69 to 71	1,653	1,753	-	1,410	1,510	-	-
72 to 74	1,753	1,853	-	1,520	1,620	-	-
75 to 77	2,360	2,460	-	1,970	2,070	-	-
78 to 80	2,430	2,530	-	2,020	2,120	-	-
81 to 83	2,570	2,670	-	2,180	2,280	-	-
84 to 85	2,725	2,845	-	2,310	2,430	-	-
86 to 88	2,870	2,990	-	2,455	2,575	-	-
89 to 90	3,070	3,190	-	2,655	2,775	-	-
91 to 92	3,155	3,275	-	2,740	2,860	-	-
93 to 94	3,255	3,375	-	2,840	2,960	-	-
95 to 98	4,350	4,500	-	3,925	4,075	-	-
99 to 102	4,675	4,825	-	4,250	4,400	-	-
103 to 106	5,300	5,450	-	4,875	5,025	-	-
107 to 110	5,800	5,950	-	5,350	5,500	-	-

■ Based on 3'-0" C - C rod dimension and 8" total travel

CONSTANT SUPPORTS

Constant Support

Check List for Requesting a Quote or Ordering

Page ___ of ___



Anvil International
Precision Park
160 Frenchtown Rd.
North Kingstown, RI 02852

For technical information regarding
Constant Supports Call or Email:
Phone Number: (401) 886-3020
Email: eps_contact@anvilintl.com

Finish: Standard Primer: _____ Galvanized: _____ Special Coating: _____

Quantity: _____

Figure No.: Options are: 80-V, 81-H
or: C-80-V, C-81-H

Size: Options are: #1 through #110 (Size #1 through #9 available in 81-H only) _____

Type: Options are: A through G* (Type F Upthrust available in 81-H only, Type G available in 80-V only) _____

Actual Travel (AT): _____ (inches)

Total Travel (TT):** _____ (inches)

Direction of Travel: _____ + (up) or - (down)

Load: _____ (lbs)

“J” Dimension (rod diameter): _____ (inches) (Not required for Type F)

Mark Number: _____ (If required)

Travel Stops: Are always Included

Lifting Lugs: Yes: _____ No: _____

Available on sizes 10 and larger.

Notes:

* Type G Constants must also include the C-to-C dimension & the load per spring.

** Total Travel = Actual travel + 1" or 20% whichever is greater rounded up to the next one half inch increment.

Fig. 296 Fig. 301: with Adjustable Preload Fig. C-296, Fig. C-301: Corrosion Resistant

Size Range: Preloads from 50 to 1,800 pounds and maximum forces from 200 to 7,200 pounds.

Finish: Standard finish: painted with semi gloss primer.
Corrosion resistant: galvanized with coated coil.

Service: Recommended for controlling vibration; absorbing shock loading; guiding or restraining the movement of pipe resulting from thermal expansion; bracing a pipe line against sway.

Approvals: Complies with Federal Specification A-A-1192A (Type 55) WW-H-171E (Type 55), ANSI/MSS SP-69 and MSS SP-58 (Type 50).

Installation: Shipped ready for installation (see line cuts of Fig. 297, Fig. 298, Fig. 302 and Fig. 303 on page 207 for typical installed hanger assemblies).

Adjustment: The sway brace should be in the neutral position when the system is hot and operating, at which time both spring plates should be in contact with the end plates. If they are not, the sway brace should be adjusted to the neutral position by use of the load coupling.

Features:

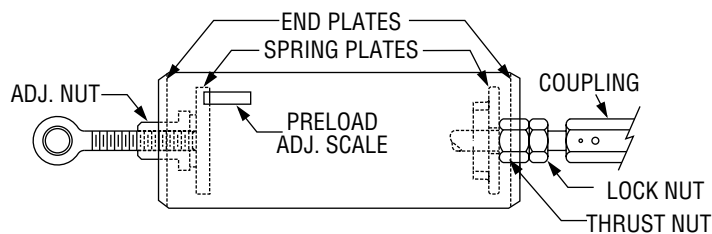
- Vibration is dampened with an instantaneous opposing force bringing the pipe back to normal position.
- A single pre-loaded spring provides two way movement.
- One spring saves space and simplifies design.
- Spring has 3-inch travel in either direction.
- Accurate neutral adjustment assured.
- A tight fitting connection at rear bracket and clamp.

Additional Features – Fig. 301:

The Fig. 301 sway brace is adjustable from the initial preload to the maximum capacity of the unit selected. It is equipped with a load-deflection scale to facilitate preload adjustment. Preload adjustment reduces spring travel accordingly.

Ordering: Specify figure, name and sway brace size. The Anvil Fig. 296 and Fig. 301 consist of the sway brace only. Available corrosion resistant as Fig. C-296 and Fig. C-301.

Preload adjustment – Fig. 301: Turn the preload adjustment nut until desired preload is indicated. Turn thrust nut until it is in contact with the spring plate. Lock in position. Indicated deflection must be greater than thermal movement.



- Stanchions & Supports
- Guides & Slides
- Pipe Rolls & Saddles
- Trapeze
- Spring Hangers
- Constant Supports
- Vibration Control & Sway Brace**
- Sway Strut Assembly
- Snubbers
- Special Design Products
- Seismic Braces
- Seismic Restraints
- Technical Data
- Index

Fig. 296, Fig. 301: with Adjustable Preload

Sway Brace (cont.)

Fig. C-296, Fig. C-301: Corrosion Resistant

Size selection: The Anvil Vibration Control and Sway Brace gives full deflection forces from 200 to 7,200 pounds and has initial precompressed spring forces from 50 to 1,800 pounds to control vibrations and pipe sway. The amount of force needed to control piping should be in proportion to the mass, amplitude of movement, and nature of disturbing forces acting on the pipe. When it is possible to calculate the exact restraining force required, the size of the Vibration Control and Sway Brace capable of providing this force should be selected. As a general reference, the following sizes have been historically used for the pipe sizes shown:

- #1 - 3 1/2" and smaller
- #2 - 4" to 8"
- #3 - 10" to 16"
- #4 - 18" to 24"
- #5 and #6 - above 24"

Installation: 1) attach rear bracket to structure and pipe attachment to piping or equipment. 2) connect coupling to pipe attachment and turn coupling so that spring is compressed in direction opposite to and by approximate amount of piping thermal movement.

Important: Final adjustment should be made with the pipe in its hot or operating position. Turn the coupling until both spring plates are in contact with the end plates of the Sway Brace. When correct tension adjustments are completed, the brace exerts no force on the pipe in its operating position. Under shutdown conditions, the brace allows the pipe to assume its cold position. It exerts a nominal cold strain force equal to the preload force plus the amount of travel from the hot to cold position, times the spring scale of the particular size of the Vibration Control and Sway Brace.

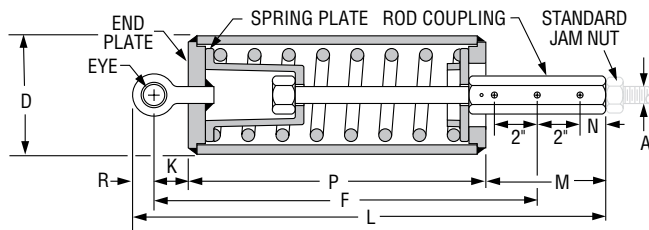


Fig. 296

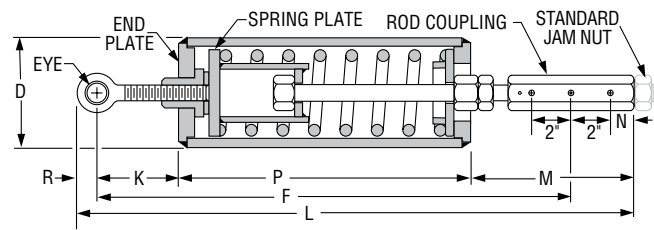


Fig. 301

FIG. 296: DIMENSIONS (IN) • LOADS • WEIGHTS (LBS)

Sway Brace Size	Pipe Size	Preload and Spring Scale (lb/in)	Max Force (lbs)	Weight	Rod Size Fig. 297 A	Eye		D	Length F	K	L	M	N	P	R
						Dia. Hole	Thickness								
1	1 1/2 to 24	50	200	22	3/4	1	1	4 1/2	13 5/8	1 5/8	17 7/8	6 1/2	1	8 7/8	1 1/4
2		150	600	25	1				14 3/8		18 3/8			9 5/8	
3		450	1,800	36	1				17 3/4		22			13	
4		900	3,600	64	1 1/4				17		22 5/16			11 1/2	
5	6 to 30	1,350	5,400	79	1 1/2	1 1/2	6 5/8	18 1/2	2 1/4	23 13/16	6 3/4	1 1/2	13	1 13/16	
6		1,800	7,200	95				1 1/2		20 1/2			25 13/16		15

FIG. 301: DIMENSIONS (IN) • LOADS • WEIGHTS (LBS)

Sway Brace Size	Pipe Size	Preload and Spring Scale (lb/in)	Max Force (lbs)	Weight	Rod Size Fig. 302 A	Eye		D	Length F	K	L	M	N	P	R
						Dia. Hole	Thickness								
1	1 1/2 to 24	50	200	23	3/4	1	3/4	4 1/2	20	5 15/16	24 1/4	7 7/8	1	9 3/16	1 1/4
2		150	600	26	1				20 3/4		25			9 9/16	
3		450	1,800	38	1				24 1/8		28 3/8			13 5/16	
4		900	3,600	67	1 1/4				24 5/16		29 5/8			12	
5	6 to 30	1,350	5,400	82	1 1/2	1 1/2	6 5/8	25 13/16	6 9/16	31 1/8	9 1/4	1 1/2	13 1/2	1 13/16	
6		1,800	7,200	98				1 1/2		27 13/16			33 1/8		15 1/2

Fig. 297 and Fig. 298 Fig. 302 and Fig. 303: with Adjustable Preload Fig. C-297, Fig. C-298, Fig. C-302 and Fig. C-303: Corrosion Resistant

Sway Brace Assembly

The Fig. 297 and Fig. 302 consist of a structural attachment, two studs, the Sway Brace, extension piece up to 2' 0" in length as required, and a modified Fig. 295 pipe clamp.

The Fig. 298 and Fig. 303 consist of a structural attachment, two studs, the Sway Brace, adjustable extension piece 2' 1" in length or over as required, an adapter and a tolerated pipe clamp.

Note: In specifying Sway Brace assemblies where the "W" dimension exceeds 2' 0" in length, the Fig. 298 or Fig. 303 assembly is required. Verify that calculated "W" is within the min/max shown in table.

Ordering assemblies: Specify figure number, name, Sway Brace size, pipe size, "W" dimension. Available corrosion resistant as Fig. C-297, C-298, C-302 and C-303.

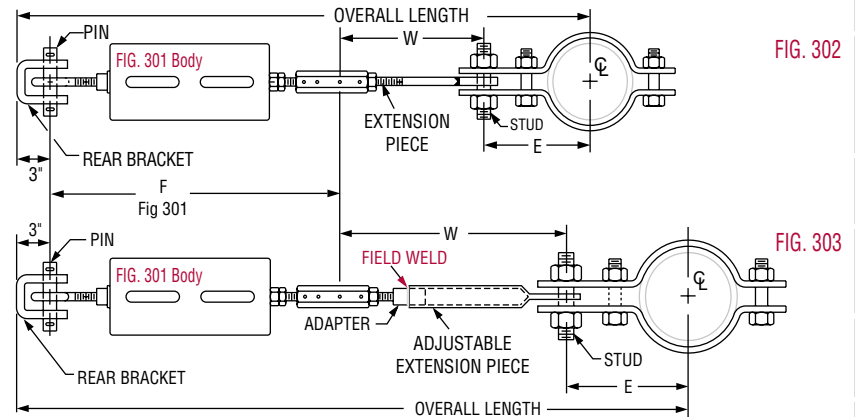
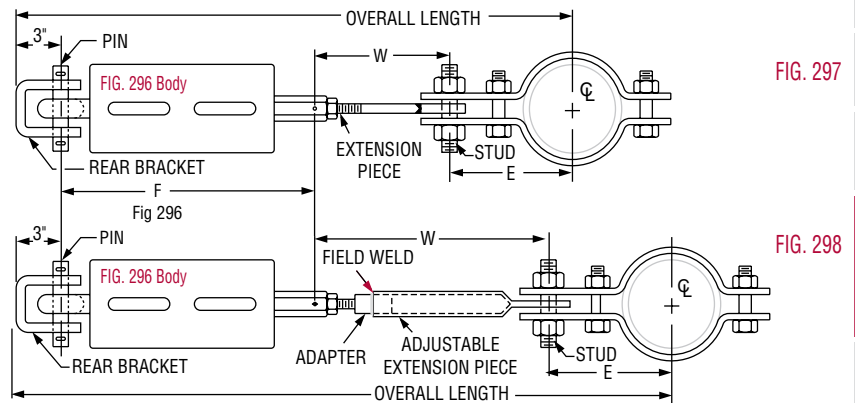


FIG. 297, 298, 302, 303, C-297, C-298, C-302 AND C-303: DIMENSIONS (IN)

Pipe Size	E		
	Size 1 - 4 Carbon	Size 5 & 6 Carbon	Size 5 & 6 Alloy
1½	4⅞	—	—
2	5⅞	—	—
2½	5¾	—	—
3	5 ¹⁵ / ₁₆	—	—
3½	6 ³ / ₁₆	—	—
4	6½	—	—
5	7	—	—
6	8 ⁸ / ₁₆	11 ⁷ / ₁₆	12 ¹ / ₁₆
8	9 ⁹ / ₁₆	12 ⁷ / ₁₆	13 ¹ / ₁₆
10	10 ⁵ / ₈	13½	14 ³ / ₈
12	11 ⁵ / ₈	14¾	15 ⁵ / ₈
14	12 ¹¹ / ₁₆	15¾	16
16	13 ¹¹ / ₁₆	16¾	17
18	14 ¹¹ / ₁₆	17¾	18
20	15 ⁵ / ₈	19	19½
24	17 ⁵ / ₈	21 ⁵ / ₈	22 ¹ / ₈
30	—	25 ¹ / ₈	25 ⁵ / ₈
	—		

FIG. 297, 298, 302, 303, C-297, C-298, C-302 AND C-303: DIMENSIONS (IN)

Sway Brace Size	W			
	Fig. 297, 302		Fig. 298, 303	
	Min	Max	Min	Max
1	7 ¹⁵ / ₁₆	24	24	90 ³ / ₁₆
2	8 ⁹ / ₁₆	24	24	86 ¹¹ / ₁₆
3	8 ⁹ / ₁₆	24	24	79 ⁹ / ₁₆
4	9 ¹¹ / ₁₆	24	24	74 ¹³ / ₁₆
5	9 ¹³ / ₁₆	24	24 ⁷ / ₈	92
6				90

SWAY STRUT ASSEMBLY

Fig. 211, Fig. C-211
Fig. 640, Fig. C-640: Field Welded Strut

Sway Strut Assembly

Finish: Painted (Fig. 211 & Fig. 640)
 or Galvanized (Fig. C-211 & C-640)

Service: Used to restrain movement of piping while allowing for movement in the other two directions.

How to size:

- (1) Select size consistent with max. load to be restrained.
- (2) C to C is obtained by subtracting E and A from the distance from structural steel to center of pipe. Verify that the calculated C to C is within the min/max limits.
- (3) Determine W dimension by: $W=(C \text{ to } C)-2F$.

Installation: Shipped assembled. Securely fasten bracket to structure, make necessary adjustment in overall length, and fasten clamp to pipe.

Features:

- Effective under either tensile or compressive force.
- Provides 3 1/2" (Fig. 211) or 2" (Fig. 640) of field adjustment in either direction.
- Self-aligning bushings permits ±5° misalignment or angular motion. Bushings are coated with a dry lubricant.

Ordering: Specify figure number, assembly size, name, option number, normal pipe size or special O.D., and "W" dimension. Please specify temperature for pipe clamp. For restraint parallel to the pipe axis using two sway strut assemblies, a riser clamp is available. If a riser clamp is required, consult the nearest Anvil representative for information about this clamp.

Note: The rear bracket assembly can be ordered separately.



Note: Second lock nut available by special request only.

E-TAKE OUT																				
E-Take Out: Dimensions (in) at 650°F										E Dimension at 1005°F and 1075°F*										
OD**	Sizes									Sizes										
	A	B & C	1 & 2	3	4	5	6	7	8	A	B	C	1	2	3	4	5	6	7	8
3/4	2 ⁷ / ₁₆	-	-	-	-	-	-	-	-	8	-	-	-	-	-	-	-	-	-	-
1	2 ⁹ / ₁₆	-	-	-	-	-	-	-	-	8 ¹ / ₈	-	-	-	-	-	-	-	-	-	-
1 1/4	2 ¹¹ / ₁₆	-	-	-	-	-	-	-	-	8 ¹ / ₄	-	-	-	-	-	-	-	-	-	-
1 1/2	4 ¹ / ₈	-	-	-	-	-	-	-	-	8 ³ / ₈	-	-	-	-	-	-	-	-	-	-
2	5 ¹ / ₈	6 ³ / ₈	6 ³ / ₈	-	-	-	-	-	-	8 ⁵ / ₈	8 ⁵ / ₈	8 ⁵ / ₈	8 ⁵ / ₈	8 ⁵ / ₈	-	-	-	-	-	-
2 1/2	5 ³ / ₈	-	-	-	-	-	-	-	-	8 ⁷ / ₈	8 ⁷ / ₈	8 ⁷ / ₈	8 ⁷ / ₈	8 ⁷ / ₈	-	-	-	-	-	-
3	5 ¹⁵ / ₁₆	7	7	8 ¹ / ₈	-	-	-	-	-	9 ¹ / ₈	9 ¹ / ₈	9 ¹ / ₈	9 ¹ / ₈	9 ¹ / ₈	-	-	-	-	-	-
3 1/2	6 ³ / ₁₆	-	-	-	-	-	-	-	-	9 ³ / ₈	9 ³ / ₈	9 ³ / ₈	9 ³ / ₈	9 ³ / ₈	9 ³ / ₈	-	-	-	-	-
4	6 ¹ / ₂	7 ¹ / ₄	7 ¹ / ₄	8 ³ / ₈	-	-	-	-	-	9 ⁵ / ₈	9 ⁵ / ₈	9 ⁵ / ₈	9 ⁵ / ₈	9 ⁵ / ₈	9 ⁵ / ₈	-	-	-	-	-
5	7 ³ / ₄	7 ³ / ₄	7 ³ / ₄	9 ¹ / ₈	9 ¹ / ₈	10	10	-	-	10 ¹ / ₄	10 ¹ / ₄	10 ¹ / ₄	10 ¹ / ₄	10 ¹ / ₄	10 ¹ / ₄	10 ¹ / ₄	-	-	-	-
6	8 ³ / ₈	8 ³ / ₈	8 ³ / ₈	10	10	-	-	-	-	10 ³ / ₄	10 ³ / ₄	10 ³ / ₄	10 ³ / ₄	10 ³ / ₄	10 ³ / ₄	10 ³ / ₄	11 ¹ / ₈	12	11 ⁷ / ₈	12 ¹ / ₄
8	9 ³ / ₈	9 ³ / ₈	9 ³ / ₈	11 ¹ / ₄	11 ¹ / ₄	11 ¹ / ₄	12 ⁵ / ₈	-	-	11 ³ / ₄	11 ³ / ₄	11 ³ / ₄	11 ³ / ₄	11 ³ / ₄	11 ³ / ₄	11 ³ / ₄	12 ³ / ₈	13 ³ / ₈	13 ³ / ₈	13 ⁷ / ₈
10	10 ¹ / ₂	10 ¹ / ₂	10 ¹ / ₂	12 ³ / ₄	12 ³ / ₄	12 ³ / ₄	14 ¹ / ₄	14 ¹ / ₄	16 ¹ / ₄	12 ³ / ₄	12 ³ / ₄	12 ³ / ₄	12 ³ / ₄	12 ³ / ₄	12 ³ / ₄	12 ³ / ₄	13 ⁵ / ₈	14 ³ / ₄	14 ³ / ₄	15 ¹ / ₂
12	-	11 ⁷ / ₈	11 ⁷ / ₈	13 ³ / ₈	13 ³ / ₈	13 ³ / ₈	15 ³ / ₈	15 ³ / ₈	17 ¹ / ₄	-	13 ³ / ₄	13 ³ / ₄	13 ³ / ₄	13 ³ / ₄	13 ³ / ₄	14	14 ³ / ₄	15 ⁷ / ₈	16	16 ³ / ₄
14	-	12 ⁵ / ₈	12 ⁵ / ₈	14 ¹ / ₂	14 ¹ / ₂	14 ¹ / ₂	16	16 ¹ / ₄	18	-	14 ³ / ₄	14 ³ / ₄	14 ³ / ₄	14 ³ / ₄	14 ³ / ₄	14 ³ / ₄	15 ³ / ₈	17 ¹ / ₄	17 ¹ / ₄	17 ¹ / ₂
16	-	13 ⁵ / ₈	13 ⁵ / ₈	15 ¹ / ₄	15 ¹ / ₄	15 ¹ / ₄	17 ¹ / ₈	17 ¹ / ₂	19	-	15 ³ / ₈	15 ³ / ₈	15 ³ / ₈	15 ³ / ₈	15 ³ / ₈	15 ³ / ₈	16 ³ / ₈	18 ³ / ₈	18 ¹ / ₂	18 ³ / ₄
18	-	14 ⁵ / ₈	14 ⁵ / ₈	16 ³ / ₈	16 ³ / ₈	16 ³ / ₈	18 ¹ / ₄	18 ¹ / ₂	20 ¹ / ₄	-	16 ³ / ₈	16 ³ / ₈	16 ³ / ₈	16 ³ / ₈	16 ³ / ₈	16 ³ / ₈	18	19 ¹ / ₂	19 ⁵ / ₈	20
20	-	15 ³ / ₄	15 ³ / ₄	17 ³ / ₄	17 ³ / ₄	17 ³ / ₄	19 ¹ / ₄	19 ¹ / ₄	21 ¹ / ₂	-	17 ³ / ₈	17 ³ / ₈	17 ³ / ₈	17 ³ / ₈	17 ³ / ₈	17 ³ / ₈	19 ³ / ₈	20 ³ / ₈	20 ⁷ / ₈	21 ¹ / ₈
24	-	18 ¹ / ₈	18 ¹ / ₈	19 ³ / ₈	19 ³ / ₈	19 ³ / ₈	21 ³ / ₄	21 ³ / ₄	24	-	19 ³ / ₈	19 ³ / ₈	19 ³ / ₈	19 ³ / ₈	20 ³ / ₈	20 ³ / ₈	21 ¹ / ₂	22 ¹ / ₂	23	23 ³ / ₈
30	-	21 ¹ / ₄	21 ¹ / ₄	23	23	23	25	25	28	-	22 ³ / ₈	22 ³ / ₈	22 ³ / ₈	22 ³ / ₈	23 ¹ / ₂	23 ¹ / ₂	24 ¹ / ₂	26 ³ / ₈	26 ¹ / ₄	26 ⁵ / ₈
36	-	24	24	26 ¹ / ₂	26 ¹ / ₂	26 ¹ / ₂	28 ¹ / ₈	28 ¹ / ₈	31 ¹ / ₄	-	25 ³ / ₈	25 ³ / ₈	25 ³ / ₈	25 ³ / ₈	26 ³ / ₈	26 ³ / ₈	27 ¹ / ₂	29 ³ / ₈	-	-

* Please specify whether a 1005°F clamp or 1075°F clamp is required when ordering.

**When calculating strut C-C for intermediate sizes, use the takeout "E" for the next largest pipe diameter.

Note: Carbon steel clamps will accommodate 4" of insulation. Alloy clamps will accommodate 6".

High temperature clamps will be made from alloy steel. Stainless steel available upon request. For other special design requirements, please contact your Anvil EPS sales representative.

Fig. 211, Fig. C-211
Fig. 640, Fig. C-640: Field Welded Strut

Sway Strut Assembly

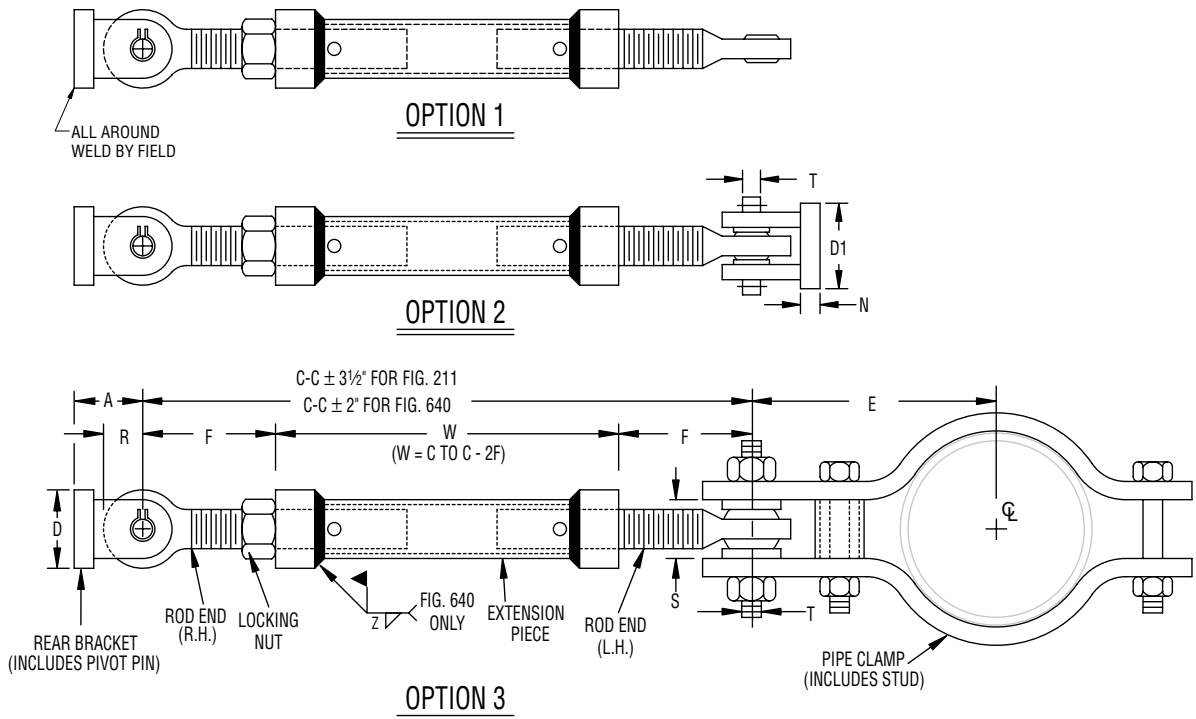


FIG. 211, C-211, FIG. 640 & FIG. C-640: DIMENSIONS (IN) • LOAD (LBS)

Size	Fig. 211 & Fig. 640										Fig. 211					Fig. 640			
	Load	Rod End	Ext. Piece	A	D	D1	N	R	S	T	C-C		W		F	Weld Z	C-C		F
											Max	Min	Max	Min			Max	Min	
A	650	3/4	1	1	2	1 1/4	1/4	5/8	5/8	0.374 0.372	60	16 1/2	53 3/8	9 3/8	3 7/16	3/16	60	12 3/8	2 11/16
B	1,500	1	1 1/2	2 1/2		2 3/8	5/8	1 3/8	1 3/8	0.749 0.747	108	19	99 3/8	10 3/8	4 7/16		96	14 7/16	3 11/16
C	4,500	1	2		2 1/2	2 7/8	3/4	1 1/2		0.749 0.747						21			
1	8,000	1 1/4		2 1/2					3	3	3 3/16	3/4	2	1 11/16	1.249 1.247		22 7/8	108 1/2	5 3/4
2	11,630	1 1/2	3		4	6 3/8	4 1/4	1 1/4								2 1/2			
3	15,700	1 3/4		3					4	6 3/8	4 1/4	1 1/4	2 1/2	2	1.249 1.247		25	108	6
4	20,700	2	4		5	7 7/8	5 3/8	1 3/4								3			
5	27,200	2 1/4		4					5	7 7/8	5 3/8	1 3/4	3	2 3/8	1.749 1.747		28 1/4	104 3/4	7 5/8
6	33,500	2 1/2	4		5 3/4	9 3/8	6 1/4	2								3 1/2			
7	68,200	3		4					7 1/4	14	8 3/4	2 1/4	4 3/4	3 3/8	2.499 2.497		39 1/4	98	17 1/4
8	120,000	4	6		7 1/4	14	8 3/4	2 1/4								4 3/4			

■ Loads must not be applied outside a 10° included angle cone of action to the pipe clamp axis without special authorization.
 Fig. 640 shipped at maximum length C-C, field cut to "W" to suit, unless otherwise specified.

Fig. 222, C-222

Mini-Sway Strut Assembly

Finish: Painted or Galvanized

Service: Used to restrain movement of piping in one direction while allowing movement in the other two directions.

How to size:

- (1) Select size consistent with max. load to be restrained.
- (2) C to C is obtained by subtracting E and A from the distance from structural steel to center of pipe. Verify that the calculated C to C is within the min/max limits.

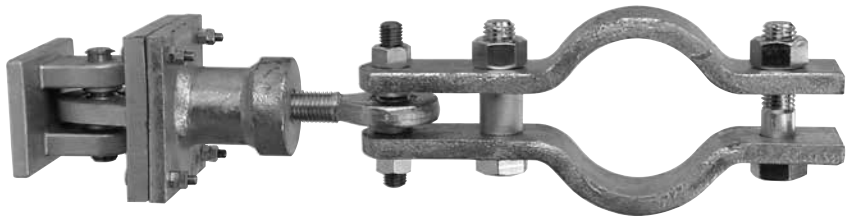
Installation: Shipped assembled. Securely fasten bracket to structure, make necessary adjustment in overall length, and fasten clamp to pipe.

Features:

- Assembly provides a shorter C to C dimension.
- Effective under either tensile or compressive force.
- Self-aligning bushings permit ± 5 misalignment or angular motion. Bushings are coated with a dry lubricant.

Ordering: Specify assembly size, figure number, name, finish, pipe O.D. or option number, if other than standard, and load. Ex: Size A-1, Fig. 222 mini sway strut 10 $\frac{3}{4}$ O.D. pipe, 650#. Alloy pipe clamps are available as a special order. For restraint parallel to the pipe axis using two sway strut assemblies, a riser clamp is available. Contact your Anvil representative for information about this clamp.

Note: The rear bracket assembly can be ordered separately



E-TAKE OUT: DIMENSIONS (IN)			
Pipe Size	Size A	Size B & C	Size 1
$\frac{3}{4}$	$2\frac{7}{16}$	–	–
1	$2\frac{9}{16}$	–	–
$1\frac{1}{4}$	$2\frac{11}{16}$	–	–
$1\frac{1}{2}$	$4\frac{1}{8}$	–	–
2	$5\frac{1}{8}$	$6\frac{3}{8}$	$6\frac{3}{8}$
$2\frac{1}{2}$	$5\frac{3}{8}$	7	7
3	$5\frac{15}{16}$		
$3\frac{1}{2}$	$6\frac{3}{16}$		
4	$6\frac{1}{2}$	$7\frac{1}{4}$	$7\frac{1}{4}$
5	$7\frac{3}{4}$	$7\frac{3}{4}$	$7\frac{3}{4}$
6	$8\frac{3}{8}$	$8\frac{3}{8}$	$8\frac{3}{8}$
8	$9\frac{3}{8}$	$9\frac{3}{8}$	$9\frac{3}{8}$
10	$10\frac{1}{2}$	$10\frac{1}{2}$	$10\frac{1}{2}$
12	–	$11\frac{7}{8}$	$11\frac{7}{8}$
14	–	$12\frac{5}{8}$	$12\frac{5}{8}$
16	–	$13\frac{5}{8}$	$13\frac{5}{8}$
18	–	$14\frac{5}{8}$	$14\frac{5}{8}$
20	–	$15\frac{3}{4}$	$15\frac{3}{4}$
24	–	$18\frac{1}{8}$	$18\frac{1}{8}$
30	–	$21\frac{1}{4}$	$21\frac{1}{4}$
36	–	24	24

Note: "E" Dimensions are for carbon steel clamps only, with maximum insulation of 4" and temperature of 650°. For clamp takeouts for temperatures above 650°F, see corresponding size of Fig. 211.

Fig. 222, C-222

Mini-Sway Strut Assembly (cont.)

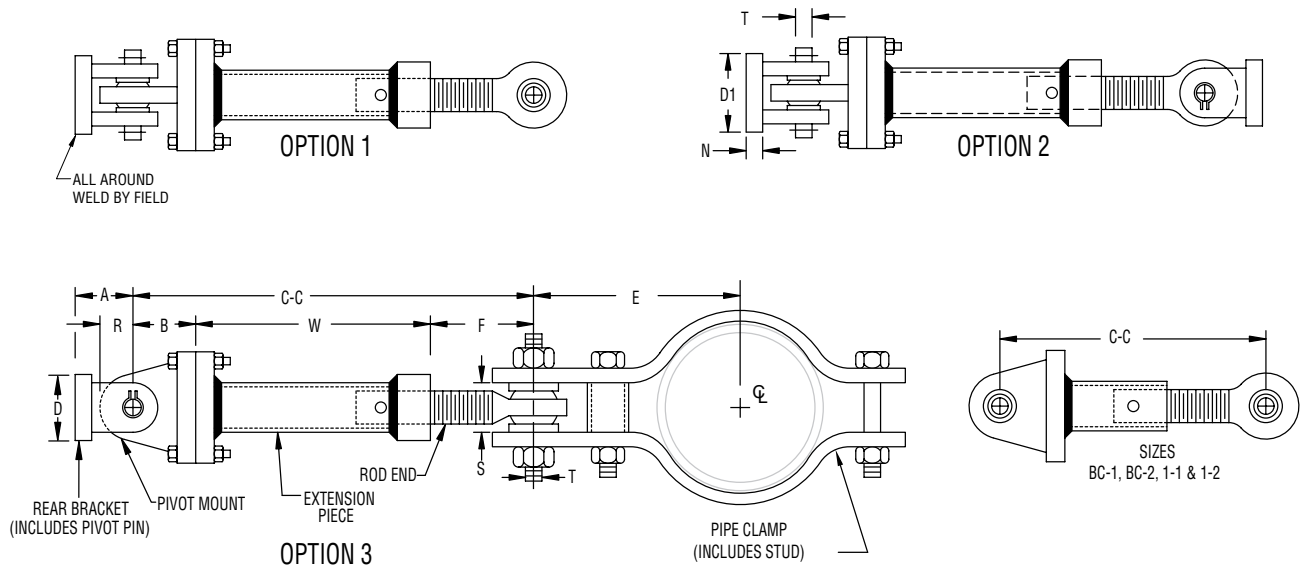


FIG. 222, C-222: DIMENSIONS (IN) • LOADS (LBS)

Assembly Size	Load	C-C		F		W	Rod End	A	D	D1	N	R	S	T Nom.	B
		Max	Min	Max	Min										
A	A-1	6 ⁵ / ₁₆	5 ⁵ / ₁₆	2 ¹³ / ₁₆	1 ¹ / ₁₆	2 ⁵ / ₈	3/4	1	2	1 ¹ / ₄	1/4	5/8	5/8	3/8	1 ¹ / ₁₆
	A-2	8 ¹ / ₂	6 ¹ / ₂	4 ¹ / ₄	2 ¹ / ₄	3 ¹ / ₁₆									
	A-3	13 ³ / ₄	8 ¹ / ₂	6 ¹ / ₄	1 ¹ / ₂	5 ¹³ / ₁₆									
B & C	BC-1	6 ¹ / ₂	6	2 ⁷ / ₈	2 ³ / ₈	1 ¹ / ₂	1	2 ¹ / ₂	2	2 ³ / ₈	5/8	1 ³ / ₈	1 ¹ / ₈	3/4	2 ¹ / ₈
	BC-2	7 ³ / ₄	6 ⁵ / ₈	3 ¹ / ₂	2 ³ / ₈	2 ¹ / ₈									
	BC-3	8 ¹¹ / ₁₆	7 ⁹ / ₁₆	3 ¹³ / ₁₆	2 ¹¹ / ₁₆	2 ³ / ₄									
	BC-4	10 ¹⁵ / ₁₆	8 ¹ / ₁₆	4 ¹⁵ / ₁₆	2 ¹¹ / ₁₆	3 ⁷ / ₈									
	BC-5	15 ⁷ / ₁₆	10 ¹⁵ / ₁₆	7 ³ / ₁₆	2 ¹¹ / ₁₆	6 ¹ / ₈									
	BC-6	19 ⁹ / ₁₆	15 ⁷ / ₁₆	9 ¹ / ₄	5 ¹ / ₈	8 ³ / ₁₆									
1	1-1	8 ⁷ / ₈	8	3 ¹ / ₁₆	2 ¹³ / ₁₆	2 ¹⁵ / ₁₆	1 ¹ / ₄	2 ¹ / ₂	2	2 ⁷ / ₈	3/4	1 ¹ / ₁₆	1 ³ / ₈	1	2 ¹ / ₄
	1-2	10 ⁵ / ₈	8 ⁷ / ₈	4 ⁹ / ₁₆	2 ¹³ / ₁₆	3 ¹³ / ₁₆									
	1-3	11 ⁷ / ₈	10 ¹ / ₄	4 ¹³ / ₁₆	3 ³ / ₁₆	4 ¹³ / ₁₆									
	1-4	15 ¹ / ₈	11 ⁷ / ₈	6 ⁷ / ₁₆	3 ³ / ₁₆	6 ⁷ / ₁₆									
	1-5	21 ⁵ / ₈	15 ¹ / ₈	9 ¹¹ / ₁₆	3 ³ / ₁₆	9 ¹¹ / ₁₆									

■ Loads must not be applied outside a 10° included angle cone of action to the pipe clamp axis without special authorization.

SWAY STRUT ASSEMBLY

Sway Strut

Check List for Requesting a Quote or Ordering

Page ___ of ___



Anvil International
Precision Park
160 Frenchtown Rd.
North Kingstown, RI 02852

For technical information regarding
Sway Struts Call or Email:
Phone Number: (401) 886-3020
Email: eps_contact@anvilintl.com

Finish: Standard Primer: _____ Galvanized: _____ Special Coating: _____

Quantity: _____

Figure No.: Options are: 211, 640

or: C-211, C-640

Size: Options are: A, B, C and 1 thru 8 _____

Options are: 1 (1 Rear Bkt) _____

2 (2 Rear Bkt) _____

3 (1 Rear Bkt & Pipe Clamp)

Pipe Size _____

Pipe Material: Carbon Steel, Alloy*, Stainless*

* If alloy or stainless required., please provide temperature and insulation thickness.

Mark Number: _____ (If Required)

"W": _____ (If Required)

Fig. 200, Fig. C-200 Fig. 201, Fig. C-201: with Extension Piece

Hydraulic Snubber

Size Range: Seven standard sizes with cylinder bores of 1½" to 8" and with normal load ratings from 3,000 pounds to 128,000 pounds. All are available with 5", 10", 15", or 20" strokes except the 1½" size which is offered with 5" and 10" strokes only. Snubbers are available with integral or remote reservoirs.

Finish: Fig. 200/201 painted with semi gloss primer.

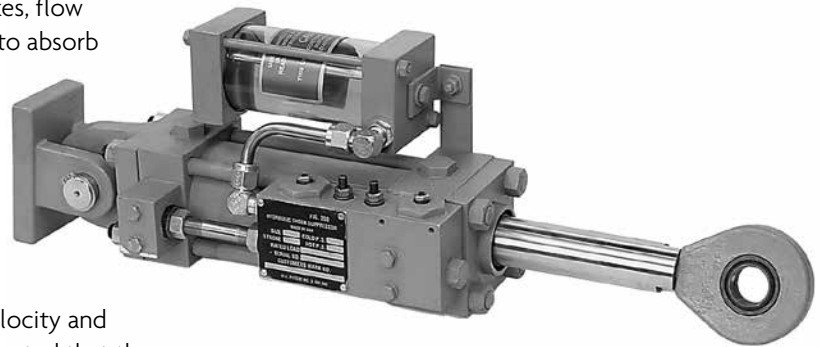
Fig. C-200/C-201 corrosion resistant; painted with carbo zinc.

Service: For use on piping systems or equipment when unrestrained thermal movement must be allowed, but which must be restrained during impulsive or cyclic disturbance. The unit is not effective against low amplitude, high frequency movement. Use with standard settings to prevent destructive response to earthquakes, flow transients or wind load. Special settings are available to absorb the continuous thrust resulting from safety valve blow-off or pipe rupture.

Standard settings: The standard settings are:
Locking (activation) velocity 8 ±2 in./min.
Bleed rate (post activation) at normal rated load 4 ±1 in./min. (Special settings are available).
The valves are calibrated at the factory within the tolerances indicated at room temperature. Locking velocity and bleed rate will vary with temperature. Testing has indicated that there is little effect of these changes on dynamic operation.

Features:

- Choice of valve type
 - Adjustable – permits field adjustments
 - Temperature compensating – minimizes the effects of temperature on lockup and bleed
- Choice of reservoir type
 - Transparent – continuous operation at 200° F with brief transients to 250° F
 - Metal or pressurized metal – allows brief transients to 340° F
 - Pressurized – eliminates the concern of reservoir orientation relative to valve and cylinder – minimizes internal contamination
 - Remote
- Factory calibrated valves
- Rapid, positive valve closure
- Special design minimizes the “lost motion” which results from the shifting and seating of piston seals
- Unlocked resisting force is less than 1% of rated load
- Stable, non-flammable, long life hydraulic fluid made highly visible for ease of inspection
- Self-aligning bushings permit ± 5° misalignment or angular motion. Bushings are coated with a dry lubricant.
- Choice of coating (paint, primer, carbo zinc, epoxy, plating or other)



LOADS (LBS)	
Cylinder Size (in)	Max Load *
1½ (5" stroke)	3,000
1½ (10" stroke)	1,250
2½ (5", 10", 15" stroke)	12,500
2½ (20" stroke)	10,500
3¼	21,000
4	32,000
5	50,000
6	72,000
8	128,000

* Loads must not be applied outside a 10° included angle cone of action to the pipe clamp axis without special authorization.

Fig. 200, Fig. 201 Hydraulic

Snubber (cont.)

Upgrade Kits: Kits are available to upgrade existing snubbers with temperature compensating valves and/or pressurized reservoir.

How to size:

- (1) **Cylinder size:** Use table on page 216 to select cylinder bore size large enough to restrain expected load.
- (2) **Stroke:** Define expected movement of the pivot joining the suppressor with the equipment to be protected (cold to hot plus any abnormal movements). Determine maximum and minimum distances between this curve and the fixed pivot pin of the snubber. The minimum recommended stroke is 20% greater than the difference between these lengths.
Note: If erected position at the snubber's location on the equipment is outside of the range of normal cold-to-hot movement (e.g. cold pull of pipe), the snubber should not be installed until after the equipment is in its cold position. This eliminates the need of providing for the extra travel in the snubber's stroke. For 2 1/2" through 8" snubbers, standard strokes are 5", 10", 15", and 20". For the 1 1/2" snubber, 5" and 10" are the only standard strokes.
- (3) **Installed piston setting:** As indicated previously, the snubber should be installed at its cold piston position if possible. From the installed position, take extension (outward movement) of the piston rod as positive (+) and retraction as negative (-).
- (4) **Installed piston position =**

$$\left(\frac{\text{Stroke} - (\text{Algebraic Sum of Movements})}{2} \right)$$

To aid in measuring the piston position, we have shown a dimension, "Z". This dimension represents the distance between the cylinder head and the end of the rod when the rod is fully retracted. Whenever specifying the position at which the piston rod is to be set, the total dimension from the cylinder head to the end of the rod should be given. Thus, Piston Setting = Piston Position + Z.

- (5) **Assembly length:** Determine the installed "C" dimension by adding the installed piston position (not setting) to C minimum. Lay in take out dimensions E and/or B, and find required pin-to-pin snubber length. If a pin-to-pin length adjustment is desired, use Fig. 201. Calculate the required "W" dimension by subtracting (C installed + F) from the required pin-to-pin length. If this is less than W minimum, only a Fig. 200 can be used, and one of the attachments will have to be moved or shimmed to suit. If a Fig. 200 is to be used, make sure that the required pin-to-pin length is at least as great as (C installed + B). If neither a Fig. 200 nor a Fig. 201 can be accommodated, and the installation cannot be modified, consult your Anvil representative about designing a special or modified unit.

Ordering:

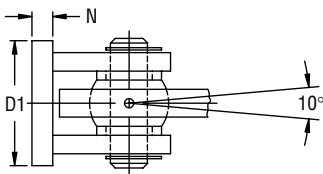
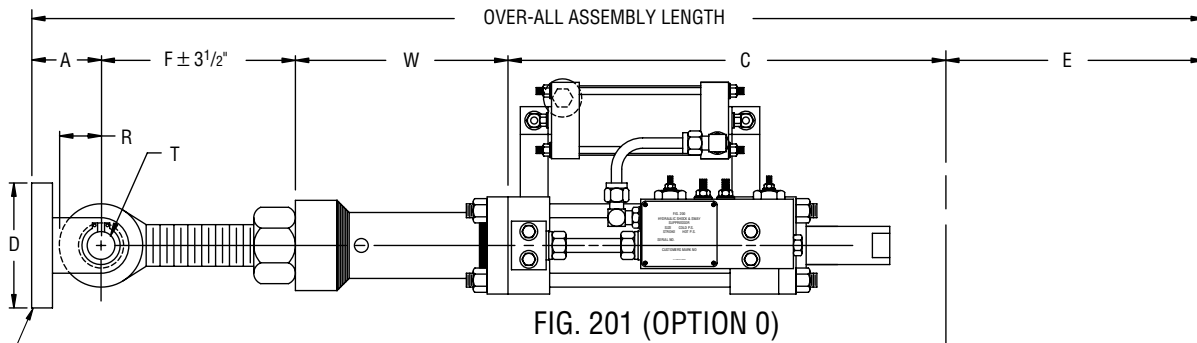
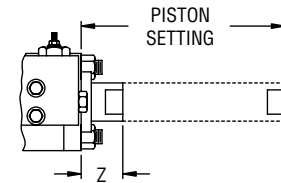
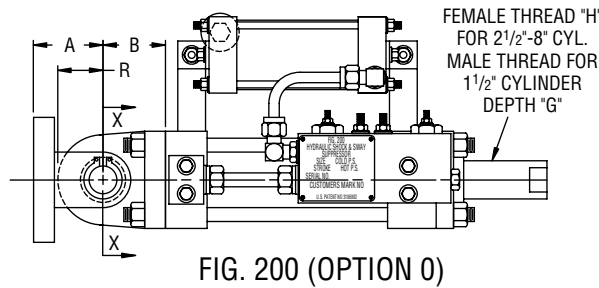
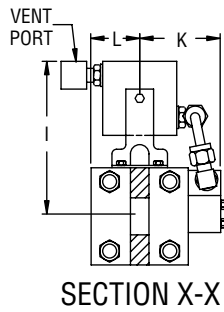
Ordering: Specify part number as follows:						
XXX	X	XX	X	X	X	X
						Reservoir Orientation 0=Does not apply for pressurized or remote U=Rod up D=Rod down or horizontal
						Reservoir Type L=Transparent (Polycarbonate) M=Metal (limited applications) P=Pressurized R=Remote
						Valve Type A=Adjustable T=Temperature Compensating
						Option (0,1,2, or 3), See Option Table Below
						Stroke (5, 10, 15, 20)
						Cylinder Size: 1 (1 1/2 Cyl.) 2 (2 1/2 Cyl.) 3 (3 1/4 Cyl.) 4 (4Cyl.) 5 (5Cyl.) 6 (6Cyl.) 8 (8 Cyl.)
						Figure No. (200 or 201), Also Specify: W Dimension when Specifying Fig 201 Pipe Clamp Size when Specifying Option 3 Surface Coating Cold and Hot Piston Settings.

FIG. 200 & FIG. 201 OPTIONS

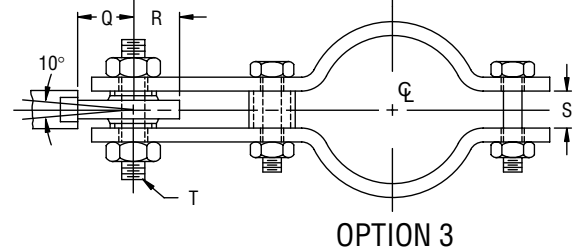
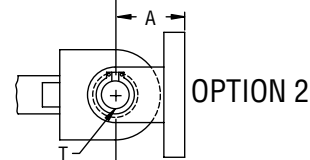
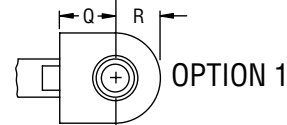
Option	Consists of...
0	Fig 200: Basic unit (snubber) with pivot mount and one rear bracket.
	Fig. 201: Basic unit with extension piece and one rear bracket.
1	Option 0 plus cylinder eye.
2	Option 0 plus cylinder eye and additional rear bracket.
3	Option 0 plus cylinder eye and pipe clamp.

Fig. 200, Fig. 201

Hydraulic Snubber (cont.)



NOTE:
CYLINDER EYE
MAY BE ROTATED
TO ANY POSITION



Stanchions
& Supports

Guides
& Slides

Pipe Rolls
& Saddles

Trapeze

Spring
Hangers

Constant
Supports

Vibration Control
& Sway Brace

Sway Strut
Assembly

Snubbers

Special Design
Products

Seismic
Braces

Seismic
Restraints

Technical
Data

Index

Fig. 200, Fig. 201

Hydraulic Snubber (cont.)

FIG 200, 201: DIMENSIONS (IN) • WEIGHT (LBS)																									
Cylinder Bore	Stroke	Fig. 200 Wt.	A	B	C			D	D ₁	F	G	H	I			K	L	N	Q	R	S	T	W		Z
					Min	Mid	Max						Metal Res.	Trans. Res.	Press Res.								Min	Max	
1½	5	45	2½	1½	13⅛	15⅝	18⅛	2	2⅝	6	¾	⅝-18	5⅞	4 ¹³ / ₁₆	4¾	2¾	2¼	⅝	2⅝	1⅝	1	¾	9½	75⅝	⅝
	10	49			18⅞	23⅞	28⅞																	65⅝	
2½	5	75	2½	2¼	13⅜	15 ⁷ / ₈	18⅜	2	2 ⁷ / ₈	7 ³ / ₁₆	7/8	7/8-14	6¼	5⅞	5¾	3¼	1¾	¾	2	1⅝	1⅜	1	10¾	94 ⁹ / ₁₆	1
	10	81			18⅜	23 ³ / ₈	28⅜																	84 ⁹ / ₁₆	
	15	87			23⅜	30 ³ / ₈	38⅜																	74 ⁹ / ₁₆	
	20	93			28⅜	38⅜	48⅜																	64 ⁹ / ₁₆	
3¼	5	121	3	3	14 ⁷ / ₈	17 ³ / ₈	19 ⁷ / ₈	3	3 ³ / ₁₆	7 ¹⁵ / ₁₆	1⅞	1⅞-12	6 ⁷ / ₈	5¾	6¾	3¾	2¼	¾	2½	2 ¹ / ₁₆	1 ¹¹ / ₁₆	1¼	10½	92	1⅞
	10	132			19 ⁷ / ₈	24 ⁷ / ₈	29 ⁷ / ₈																	82	
	15	146			24 ⁷ / ₈	32 ³ / ₈	39 ⁷ / ₈																	72	
	20	156			29 ⁷ / ₈	39 ⁷ / ₈	49 ⁷ / ₈																	62	
4	5	177	4	3¾	16⅞	18 ⁵ / ₈	21⅞	6⅞	4¼	9 ⁵ / ₁₆	1½	1½-12	7⅞	6	7 ¹³ / ₁₆	4	2½	1¼	3 ³ / ₈	2½	2	1½	11½	89 ⁹ / ₁₆	1⅞
	10	189			21⅞	26⅞	31⅞																	79 ⁹ / ₁₆	
	15	206			26⅞	33 ⁵ / ₈	41⅞																	69 ⁹ / ₁₆	
	20	223			31⅞	41⅞	51⅞																	59 ⁹ / ₁₆	
5	5	235	5	4½	18	20½	23	7⅞	5⅝	10 ⁹ / ₁₆	1⅞	1⅞-12	8½	7	9 ⁵ / ₁₆	4¾	3¼	1¾	4	3 ¹ / ₁₆	2⅝	1¾	12	86 ¹³ / ₁₆	1⅞
	10	256			23	28	33																	76 ¹³ / ₁₆	
	15	277			28	35½	43																	66 ¹³ / ₁₆	
	20	298			33	43	53																	56 ¹³ / ₁₆	
6	5	292	5¾	5½	19¾	22¼	24¾	9⅞	6¼	11 ⁵ / ₁₆	2¼	2¼-12	9 ¹ / ₁₆	7 ⁵ / ₈	10 ¹⁵ / ₁₆	5¼	3 ⁷ / ₈	2	4 ⁵ / ₈	3½	2¾	2	13¾	83 ¹⁵ / ₁₆	1¾
	10	320			24¾	29¾	34¾																	73 ¹⁵ / ₁₆	
	15	348			29¾	37¼	44¾																	63 ¹⁵ / ₁₆	
	20	375			34¾	44¾	54¾																	53 ¹⁵ / ₁₆	
8	5	515	7¼	6	23½	26	28½	14	8¾	14½	4	3-12	12½	N/A	13⅞	8½	4 ⁷ / ₈	2¼	6¾	4¾	-	2½	14½	75½	2¼
	10	575			28½	33½	38½																	65½	
	15	640			33½	41	48½																	55½	
	20	705			38½	48½	58½																	45½	

FIG 200, 201: DIMENSIONS (IN)													
OD**	E-Take Out at 650°F						E Dimension at 1005°F and 1075°F*						
	Cylinder Bore						Cylinder Bore						
	1½	2½	3¼	4	5	6	1½	2½	3¼	4	5	6	8
2	6	6⅞	-	-	-	-	8⅞	8⅞	-	-	-	-	-
2½	7	7	-	-	-	-	8 ⁷ / ₈	8 ⁷ / ₈	-	-	-	-	-
3	7	7	-	-	-	-	9⅞	9⅞	-	-	-	-	-
3½	7	7	-	-	-	-	9 ³ / ₈	9 ³ / ₈	-	-	-	-	-
4	7¼	7¼	-	-	-	-	9 ⁵ / ₈	9 ⁵ / ₈	-	-	-	-	-
5	7¾	7¾	9⅞	10	-	-	10¼	10¼	10¼	10 ³ / ₈	-	-	-
6	8⅞	8⅞	10	10	11 ⁷ / ₈	-	10¾	10¾	10¾	11⅞	11 ⁷ / ₈	-	-
8	9⅞	9⅞	11¼	11¼	12 ⁵ / ₈	-	11¾	11¾	11¾	12 ³ / ₈	13¼	-	-
10	10½	10½	12¾	12¾	14¼	-	12¾	12¾	12¾	13 ³ / ₈	15	-	-
12	11⅞	11⅞	13 ³ / ₈	13 ³ / ₈	15 ³ / ₈	-	-	13¾	13¾	15	16¼	-	-
14	12 ⁵ / ₈	12 ⁵ / ₈	14½	14½	16	-	-	14 ³ / ₈	14¾	15¾	17	-	-
16	13 ⁵ / ₈	13 ⁵ / ₈	15¼	15¼	17⅞	-	-	15 ³ / ₈	15 ³ / ₈	16 ⁷ / ₈	18⅞	-	-
18	14 ⁵ / ₈	14 ⁵ / ₈	16 ³ / ₈	16 ³ / ₈	18¼	-	-	16 ³ / ₈	16 ³ / ₈	18	19¼	-	-
20	15¾	15¾	17¾	17¾	19¼	19¼	-	17 ³ / ₈	18	19	21	20¾	22½
24	18⅞	18⅞	19 ⁷ / ₈	19 ⁷ / ₈	21¾	21¾	-	19 ³ / ₈	20	21 ⁷ / ₈	23¼	23	24¾
30	21¼	21¼	23	23	25	25	-	22 ³ / ₈	23½	25	26½	26¼	28¼
36	24	24	26½	26½	28⅞	28⅞	-	25 ³ / ₈	26 ⁵ / ₈	28⅞	29 ⁵ / ₈	-	-

* Please specify whether a 1005°F clamp or 1075°F clamp is required when ordering.

**When calculating snubber pin to pin for intermediate sizes, use the takeout "E" for the next largest pipe diameter.

Note: Carbon steel clamps can accommodate up to 4" insulation. Alloy can accommodate 6".

High temperature clamps will be made from alloy steel. Stainless steel available upon request. For other special design requirements, please contact your Anvil EPS sales representative.

Fig. 312

Tapered Pin

Size Range: 3/8" through 2 1/2"

Service: Used as a replacement to standard rear bracket load pin to facilitate easy removal at time of rebuild or testing. May be supplied with new orders, when specified.

How to size: Select size consistent with load pin diameter for Fig. 200/201 or Fig. 3306/3307.

Features:

- Designed to sharply reduce the time necessary to remove a badly corroded conventional pin and may also eliminate damage to the bushing and bracket assembly, particularly if the pin and bracket are corroded.
- Minimizes "free play" between pin to pin.

Ordering: Specify figure number, nominal pin size and name.

Installation: Shipped assembled. Remove nuts and washer. Loosen sleeve on pin and install sleeve/pin. Re-install washer and one nut. Tighten hex nut to snug. Install second nut.

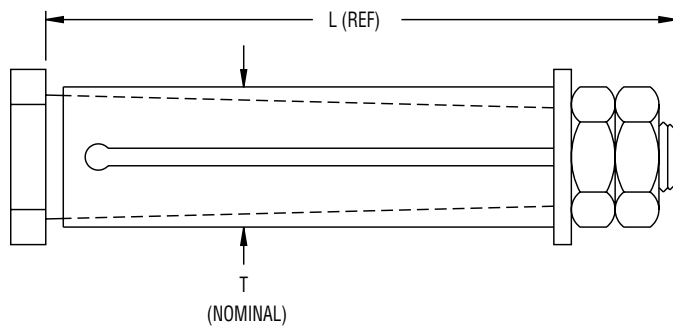


FIG 312: DIMENSIONS (IN) • LOADS (LBS)

Nominal Dia. T	Max Load	L	Compatible With	
			Fig. 200/201	Fig. 3306/3307
3/8	650	1 ⁶¹ / ₆₄	–	1/4 & 1/2
1/2	1,500	2 ³ / ₈	–	1
3/4	6,000	3 ³ / ₈	1 1/2	3
1	15,000	4 ³ / ₈	2 1/2	10
1 1/4	21,000	4 1/2	3 1/4	–
1 1/2	50,000	7 1/8	4	35
1 3/4	50,000	6 3/4	5	–
2	72,000	7 3/4	6	–
2 1/2	128,000	9 3/8	8	100

The load must be applied by a spherical bearing.

Fig. 3306

Fig. 3307: with Extension Piece

Hydraulic Snubber

Size Range: Eight standard sizes with load ratings from 350 to 120,000 pounds.

Finish: Basic unit is corrosion resistant salt bath nitrided. Attachments are painted with semi gloss primer, carbon zinc or other.

Service: For use on piping systems or equipment when unrestrained thermal movement must be allowed, but which must be restrained during impulsive or cyclic disturbance. The unit is not effective against low amplitude, high frequency movement. Use with standard settings to prevent destructive response to earthquakes, flow transients or wind load. Special settings are available to absorb the continuous thrust resulting from safety valve blow-off or pipe rupture.

Standard Settings: The standard settings are:

Locking (activation) velocity 8 ± 2 in./min. Bleed rate (post activation) at normal rated load 4 ± 1 in./min. (Special settings are available). The valves are calibrated at the factory within the tolerances indicated at room temperature. Locking velocity and bleed rate will vary with temperature. Testing has indicated that there is little effect of these changes on dynamic operation.

Features:

- Temperature compensating valves minimize the effects of temperature on lockup and bleed.
- Pressurized reservoirs
- Continuous operation at 150° F with brief transients to 340° F
- Factory calibrated valves
- Rapid, positive valve closure
- Special design minimizes the “lost motion” which results from the shifting and seating of piston seals
- Unlocked resisting force is less than 17 1/2 pounds for sizes 1/4 and 1/2 and less than 2% of rated load for larger sizes
- Stable non-flammable, long life hydraulic fluid
- Self-aligning bushings permit $\pm 5^\circ$ misalignment or angular motion. Bushings are coated with a dry lubricant.
- Choice of coating (paint, primer, carbo zinc, epoxy, plating or other) for attachments.

Applications:

- Direct replacement for Fig. 306/307 Pacific Scientific (PSA) mechanical snubbers: Exact load ratings, exact pin sizes, exact stroke lengths and exact pin-to-pin dimensions. The cross sectional dimensions of the Fig. 3306 are based on those of PSA to facilitate non-interference one-to-one replacement. Pins, clamps, pivot mounts, extension pieces, and rear brackets used with PSA snubbers are compatible with the Fig. 3306 and can be utilized.
- New installations: For new installations, the Fig. 3306 is available with a complete line of pipe clamps and rear brackets.



Fig. 3306



Fig. 3307 with Extension Piece

LOADS (LBS)		
Size	Stroke (in)	Max Load *
1/4	4	350
1/2	2 1/2, 4	650
1	4, 8	1,500
3	5, 10	6,000
10	6, 12	15,000
32	5	32,000
35	6, 18	50,000
100	6	120,000

* Loads must not be applied outside a 10° included angle cone of action to the pipe clamp axis without special authorization.

Fig. 3306 Fig. 3307: with Extension Piece

Hydraulic Snubber

How to size:

- Size:** Use table on the previous page to select size large enough to restrain expected load.
- Stroke:** Define expected movement of the pivot joining the snubber with the equipment to be protected (cold to hot plus any abnormal movements). Determine maximum and minimum distances between this curve and the fixed pivot pin of the snubber. The minimum recommended stroke is 20% greater than the difference between these lengths. Make sure that all normal movement of equipment will be accommodated without the snubber entering the last $\frac{1}{4}$ " (preferably $\frac{1}{2}$ ") of the stroke at either end.
Note: If erected position at the snubber's location on the equipment is outside of the range of normal cold-to-hot movement (e.g cold pull of pipe), the snubber should not be installed until after the equipment is in its cold position. This eliminates the need of providing for the extra travel in the snubber's stroke.
- Piston position:** To aid in measuring the piston position, we have shown a dimension, "Z". This dimension represents the distance between the cylinder head and the end of the rod when the rod is fully retracted. Whenever specifying the position at which the piston rod is to be set, the total dimension from the cylinder head to the end of the rod should be given. Thus, *piston setting = piston position + Z*.
- Assembly length:** Determine the installed "C" dimension by adding the installed piston position (not setting) to C minimum. Lay in takeout dimensions E and/or B, and find required pin-to-pin snubber length. If a pin-to-pin length adjustment is desired, use Fig. 3307. Calculate the required "W" dimension by subtracting (C installed + F) from the required pin-to-pin length. If this is less than W minimum, only a Fig. 3306 can be used, and one of the attachments will have to be moved or shimmed to suit. If a Fig. 3306 is to be used, make sure that the required pin-to-pin length is at least as great as (C installed + B). If neither a Fig. 3306 nor a Fig. 3307 can be accommodated, and the installation cannot be modified, consult your Anvil representative about designing a special or modified unit.
- Installed piston setting:** As indicated previously, the snubber should be installed at its cold piston position if possible. From the installed position, take extension (outward movement) of the piston rod as positive (+) and retraction as negative (-).
Installed piston position =

$$\left(\frac{\text{Stroke} - (\text{Algebraic Sum of Movements})}{2} \right)$$

Ordering: Specify

- Fig. No.
- Size
- Stroke
- Load
- Cold and hot piston settings
- W dimension when specifying Fig. 3307
- Pipe clamp size when specifying option 3
- Attachment surface coating
- Option

FIG. 3306 & 3307 OPTIONS

Option	Consists of...
0	Fig 3306: Basic unit (snubber) with pivot mount and one rear bracket. Fig. 3307: Basic unit with extension piece and one rear bracket.
1	Option 0 plus cylinder eye.
2	Option 0 plus cylinder eye and additional rear bracket.
3	Option 0 plus cylinder eye and pipe clamp.



Fig. 3306

Hydraulic Shock and Sway Suppressor (cont.)

Fig. 3307: with Extension Piece

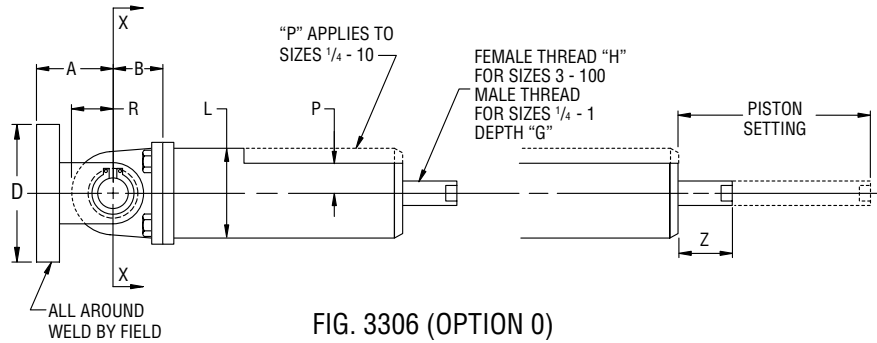


FIG. 3306 (OPTION 0)

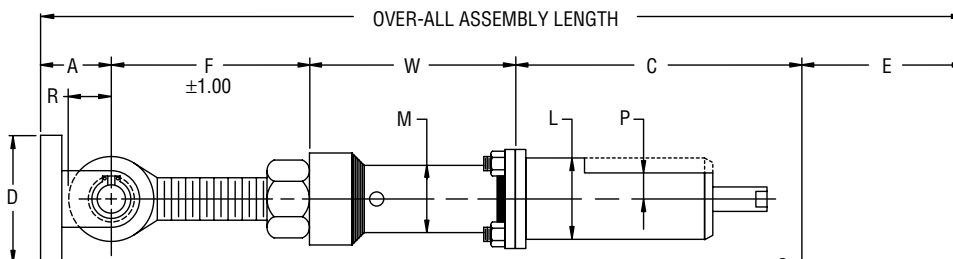
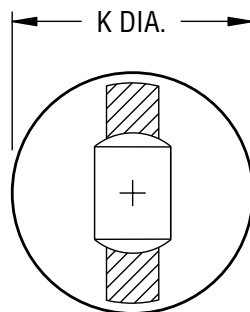
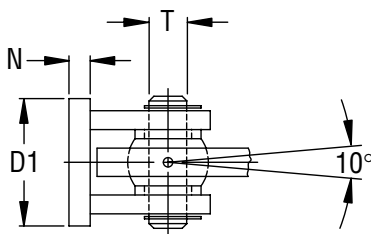


FIG. 3307 (OPTION 0)



BOLT PLATE (SIZES 1/4 - 10)
SECTION X-X

NOTE: CYLINDER EYE MAY BE ROTATED TO ANY POSITION

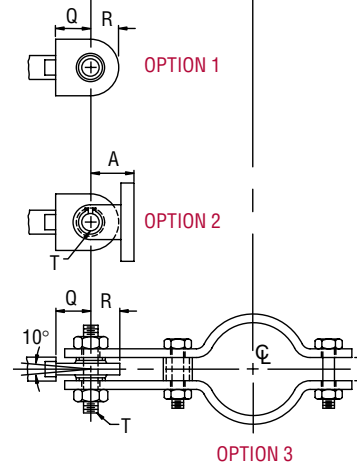


Fig. 3306

Hydraulic Snubber (cont.)

Fig. 3307: with Extension Piece

FIG 3306, 3307 DIMENSIONS (IN)																								
Snubber Size	Stroke	A	B	C *			D	D1	F	G	H	K Dia	L Dia	M Dia	N	P	Q Ref	R Max	S	T Dia	W		Max Pin to Pin	Z
				Min	Mid	Max															Min	Max		
¼	4.00	1.00	1.19	9.0	11.00	13.0	2.00	1.25	2.94	0.38	¾-16-2A	2.25	2.25	1.31	0.25	0.62	1.19	0.63	0.63	0.374 0.372	3.50	45.56	61.50	0.19
½	2.50			7.5	8.75	10.0															3.50	48.56		
	4.00	1.62	1.56	9.0	11.00	13.0	4.00	1.75	3.00	0.38	¾-16-2A	3.25	2.38	1.31	0.38	0.69	2.00	1.00	1.00	0.499 0.497	3.81	43.50	61.50	0.19
1	8.00			15.5	19.50	23.5															N/A	N/A	25.06	0.13
3	5.00	2.12	2.50	11.0	13.00	15.0	5.00	3.62	4.50	0.75	⅝-18-2B	4.62	4.62	2.38	0.50	1.44	2.12	1.38	1.38	0.749 0.747	4.44	37.50	61.00	1.25
	10.00			20.0	25.00	30.0															N/A	N/A	32.62	2.25
10	6.00	3.00	3.40	16.1	19.10	22.1	7.00	4.00	5.12	1.00	⅞-14-2B	5.75	5.75	2.88	1.00	1.62	2.00	1.62	1.38	0.999 0.997	5.19	44.50	71.72	2.10
	12.00			23.1	29.10	35.1															N/A	N/A	39.16	1.00
32	5.00	4.00	2.50	20.75	23.25	25.75	6.12	4.25	-	1.62	1½-12-2B	-	5.00	3.50	1.25	-	3.38	2.50	2.00	1.499 1.497	-	-	-	1.00
35	6.00	4.62	3.00	24.0	27.00	30.0	9.75	6.50	7.75	1.88	1⅝-12-2B	-	6.00	4.50	1.25	-	3.00	2.79	2.00	1.499 1.497	5.25	79.75	117.50	1.48
	18.00			36.0	45.0	54.0								-							14.63	55.75	117.80	
100	6.00	7.25	3.80	29.0	32.00	35.0	14.0	8.75	8.31	3.00	3-12-2B	-	10.00	5.56	2.00	-	3.80	3.44	-	2.499 2.447	6.50	74.19	117.50	3.38

* Adapters are available to match existing pin-to-pins.

FIG 3306, 3307 DIMENSIONS (IN)						
*Pipe Size	E-Take Out					
	Snubber Size					
	¼ & ½	1	3	10	32	35
¾	2⅞	-	-	-	-	-
1	2⅞	-	-	-	-	-
1¼	2⅞	-	-	-	-	-
1½	4⅞	-	-	-	-	-
2	5⅞	-	-	-	-	-
2½	5⅞	7	7	7	-	-
3	5⅞	7	7	8⅞	-	-
3½	6⅞	7	7	8⅞	-	-
4	6½	7¼	7¼	8⅞	-	-
5	7¼	7¾	7¾	9⅞	10	-
6	8⅞	8⅞	8⅞	10	10	-
8	9⅞	9⅞	9⅞	11¼	11¼	12⅞
10	10½	10½	10½	12¼	12¼	14¼
12	-	11⅞	11⅞	13⅞	13⅞	15⅞
14	-	12⅞	12⅞	14½	14½	16
16	-	13⅞	13⅞	15¼	15¼	17⅞
18	-	14⅞	14⅞	16⅞	16⅞	18¼
20	-	15¾	15¾	17¼	17¼	19¼
24	-	18⅞	18⅞	19⅞	19⅞	21¼
30	-	21¼	21¼	23	23	25
36	-	24	24	26½	26½	28⅞

* Intermediate sizes between 20 and 36 are available and will have the take out and stock of the next larger size.

Note: "E" Dimensions are for carbon steel clamps only, with maximum insulation of 4" and temperature of 650°.



ANVIL SF-N

Dimethyl Diphenyl Polysiloxane Snubber Fluid
Certified viscosity stability to 200mRad
Certified 5 year shelf life



ALSO SEE ANVIL SNUBBER
Fig. 3306N

What Dimethyl Diphenyl Polysiloxane does, **Anvil SF-N certifies.**

When you need Dimethyl Diphenyl Polysiloxane hydraulic snubber fluid, you don't have to say Dimethyl Diphenyl Polysiloxane anymore. Just say Anvil SF-N. When you ask for it by name you get Dimethyl Diphenyl Polysiloxane, the same fluid as SF1154*. Each batch of Anvil SF-N is independently tested and certified for viscosity stability at 40mRad (200mRad and other specialized requirements are available upon request). We wanted to make your life easier and we have. Only from Anvil, the world's largest and most complete manufacturer of pipe hangers, supports and fittings—where we have built our reputation on 150 years of proven excellence. **For the best in hydraulic snubber technology, hang with Anvil.**

Fig. 38 SD

Half Clamp

This product is a special design per customer requirements. Contact Anvil Intl. for further information and how to order.

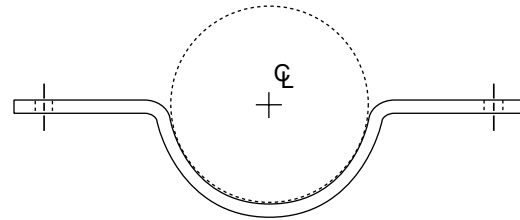


Fig. 40 SD

Riser Clamp

Material: Carbon steel chrome molybdenum or stainless steel.

Finish: Plain or Galvanized

Maximum Temperature: As required.

Ordering: Specify figure number 40SD, riser clamp special design, material, exact pipe size, load, operating temperature, insulation thickness, C-C dimension, rod diameter, finish and if connected to a spring or rigid connection.

Service: Riser clamps are used for the support of vertical piping. Load is carried by shear lugs which are welded to the pipe. Shear lugs not provided.

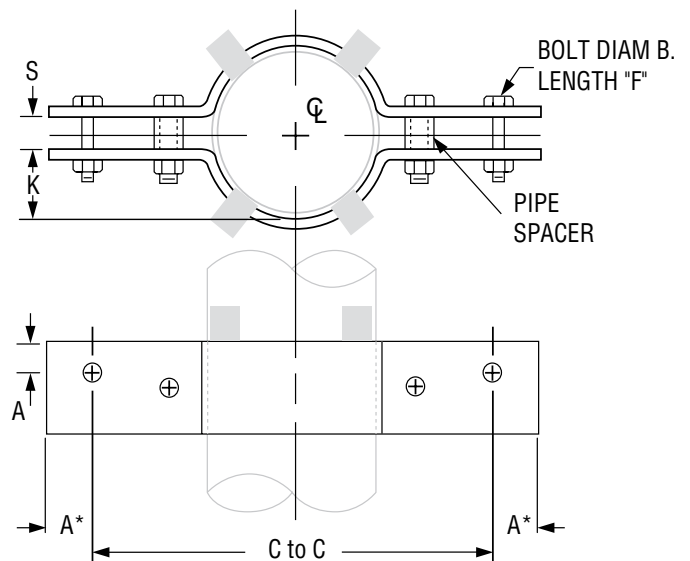


Fig. 41 SD

Non-Standard Three Bolt Pipe Clamp

Ordering:

Specify Fig. 41SD double bolt pipe clamp, material specification, pipe size, load, operating temperature, insulation thickness and finish. Alloy clamps, unless otherwise specified, will be furnished with alloy studs made from ASTM A 193-B7 stud stock and ASTM A 194-Gr. 2H hex nuts.

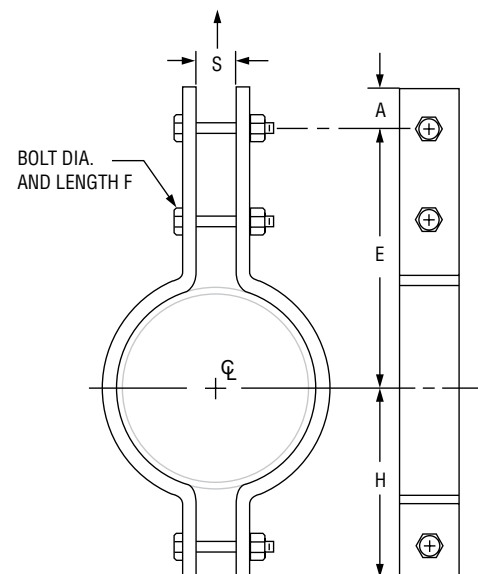


Fig. 42 SD

Non-Standard Two Bolt Pipe Clamp

Ordering:

Specify Fig. 42SD pipe clamp, material specification, pipe size, load, temperature and finish.

Alloy clamps, unless otherwise specified, will be furnished with alloy studs made from ASTM A 193-B7 stud stock and ASTM A 194-Gr. 2H hex nuts.

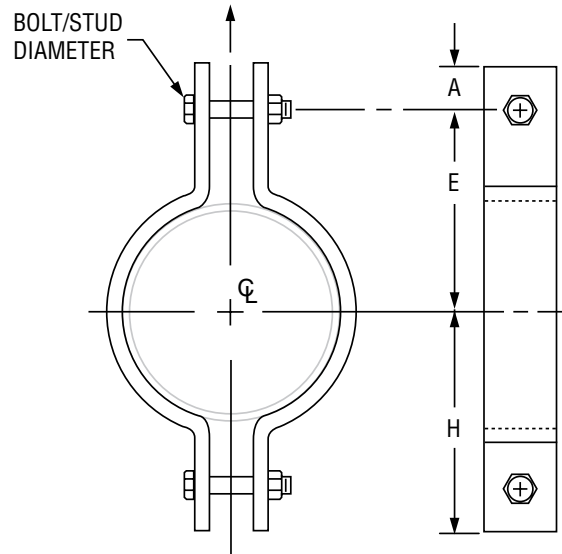


Fig. 53 SD

Welding Lug for L.R. Elbow

This product is a special design per customer requirements. Contact Anvil Intl. for further information and how to order sizes not shown. Local pipe wall stress should be evaluated.

FIG. 53SD: DIMENSIONS (IN)								
Pipe Size	Rod Size A	C Rod Take Out	T	D	R	H Max. Dia.		
2½	¾	7 ⁵ / ₁₆	½	3½	1½	1 ⁵ / ₁₆		
3		7 ⁷ / ₁₆						
3½	7/8	7½				5	2	1 ³ / ₈
4		7 ⁹ / ₁₆						
6		7 ⁷ / ₁₆						
8	1	7 ⁷ / ₁₆				5/8	6	2½
10	1¼	7 ⁵ / ₁₆	¾	7	3	1¾		
12	1½	7 ⁷ / ₈						

* Based on maximum 4" insulation.

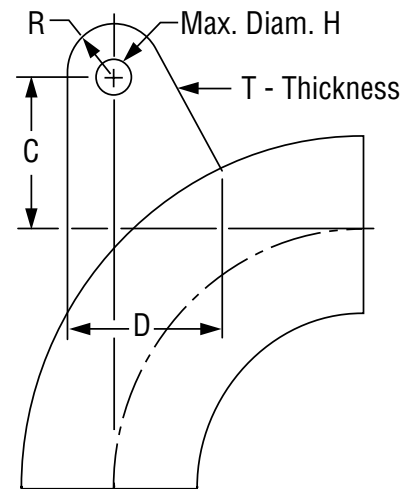


Fig. 71 SD

Double Roll Horizontal Traveler

This product is a special design per customer requirements. Contact Anvil Intl. for further information and how to order.

The Anvil Fig. 71SD horizontal traveler facilitates the supporting of piping systems subject to linear horizontal movements where head room is limited. Designed for use with Anvil Variable Spring Hangers or Constant Supports it can also be used in conjunction with a rigid type hanger assembly.

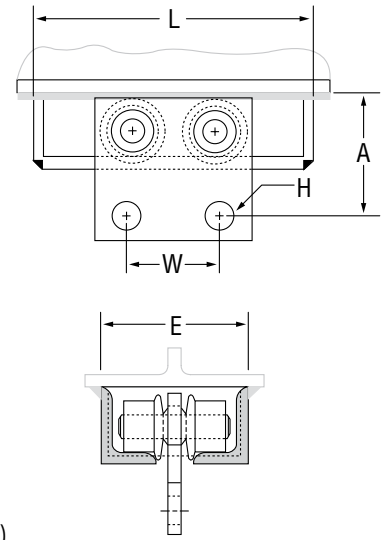


FIG. 71SD: DIMENSIONS (IN) • LOADS (LBS)						
Size	Maximum Load	A Min	E	H Max	L	W
1	10,700	4 ³ / ₄	5 ⁵ / ₈	1 ¹ / ₈	19 ¹ / ₄	3
2	17,800	6	7	1 ³ / ₄	23 ³ / ₄	5
3	33,200	8	8 ³ / ₈	2 ⁵ / ₈	25 ¹ / ₄	6

Provides 12" Horizontal Travel

Ordering: Specify size number, Figure 71SD, and H = (Refer to constant support size and tables.)

Fig. 72 SD

Dual Direction Horizontal Traveler

This product is a special design per customer requirements. Contact Anvil International for further information and how to order.

The Anvil Fig. 72SD Horizontal Traveler facilitates the supporting of piping systems subject to dual directional horizontal movements where head room is limited. Designed for use with Anvil Variable Spring Hangers or Constant Supports, it can also be used in conjunction with a rigid type hanger assembly.

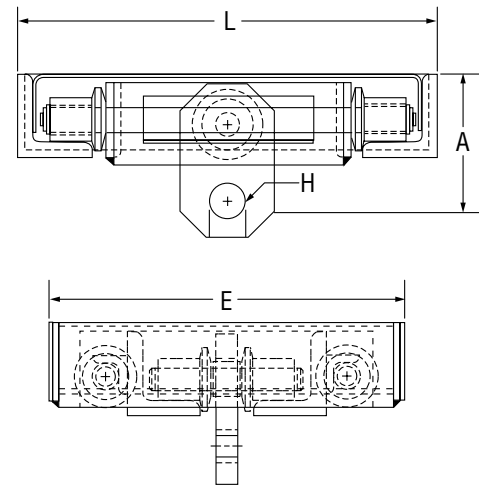


FIG. 72SD: DIMENSIONS (IN) • LOADS (LBS)					
Size	Maximum Load	A Min	E	H Max	L
1	5,385	4 ³ / ₈	20 ⁷ / ₈	1 ¹ / ₈	19
2	8,900	6 ³ / ₈	24 ¹ / ₂	1 ³ / ₈	22 ¹ / ₂
3	16,600	8 ⁷ / ₈	26 ⁷ / ₈	1 ³ / ₄	24 ⁷ / ₈
4	29,670	10 ³ / ₄	29 ⁵ / ₈	2 ³ / ₈	27 ¹ / ₈

All sizes provide 12" Horizontal Travel

Ordering: Specify size number, Figure 72SD, and H = (Refer to constant support size and tables.)

Fig. 75 SD

Flat Roller With Saddle

This product is a special design per customer requirements. Contact Anvil International for further information and how to order.

Note: Type B Saddle - If attached to alloy pipe, furnish material specification applicable to the pipe. (Alloy Bars furnished for attachment to alloy pipe only.)

Contact Anvil EPS for: non-standard dimensions, loads larger than specified, special designs and non-conductive rollers.

FIG. 75SD: DIMENSIONS (IN) • LOADS (LBS)					
Pipe Size	Recommended Load	A		L	W
		Type A	Type B		
4	2,380	6.19	7.38	6.00	5.00
5		6.81	8.00		
6		7.44	5.56		
8	5,680	10.88	13.31	9.50	8.00
10		12.25	14.62		
12		13.38	15.75		
14	9,240	14.62	17.88	12.00	8.00
16		15.75	19.06		
18		16.88	20.19		
20	12,610	17.81	22.00	17.00	10.00
22		19.06	23.19		
24		20.19	24.38		
26		21.38	25.50		
28	17,620	23.44	27.62	23.00	12.00
30		24.69	25.88		
32		25.88	30.12		
34		27.00	31.25		
36		28.19	32.38		
42		31.56	35.75		

For temperatures exceeding 650°, use Type B.

Ordering: Specify pipe size and Figure 75SD.

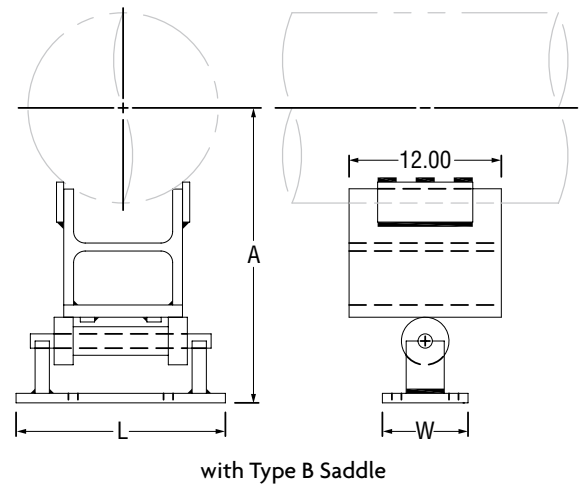
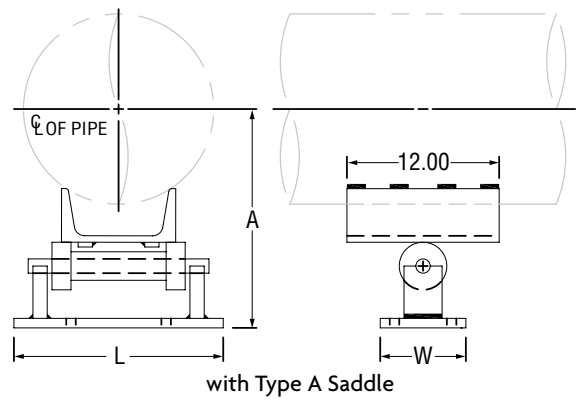


Fig. 76 SD

Fabricated Roller for Large Diameter Pipe

This product is a special design per customer requirements. Contact Anvil International for further information and how to order.

Installation: The two piece fabricated roller is designed for one of the two rollers on each side of the assembly to be in contact with the pipe.

FIG. 76SD: DIMENSIONS (IN) • LOADS (LBS)						
Steel Pipe Size	Max Load	A	B	C	D	E
30	60,000	23 ³ / ₈	13 ⁵ / ₈	8 ³ / ₁₆	8 ¹⁵ / ₁₆	0
36		26			9 ¹⁵ / ₁₆	1
42		28 ⁷ / ₈			10 ¹⁵ / ₁₆	2
46		30 ³ / ₄			11 ¹¹ / ₁₆	2 ³ / ₄
46	60,000	31 ³ / ₁₆	16 ¹ / ₄	10 ¹³ / ₁₆	13	1 ⁷ / ₁₆
48		32 ¹ / ₁₆			13 ⁷ / ₁₆	1 ³ / ₄
54		34 ¹⁵ / ₁₆			14 ¹ / ₂	2 ¹⁵ / ₁₆
60		37 ¹¹ / ₁₆			15 ¹¹ / ₁₆	4 ¹ / ₈
66		40 ⁹ / ₁₆			16 ³ / ₄	5 ⁵ / ₁₆
72		43 ³ / ₈			17 ¹³ / ₁₆	6 ¹ / ₄

FIG. 76SD: DIMENSIONS (IN) • LOADS (LBS)						
C.I./D.I. Pipe Size	Max Load	A	B	C	D	E
30	60,000	24 ³ / ₁₆	13 ⁵ / ₈	8 ³ / ₁₆	9 ¹ / ₄	7 ¹ / ₁₆
36		27 ³ / ₁₆			10 ³ / ₈	1 ⁹ / ₁₆
42		30 ¹ / ₈			11 ¹ / ₂	2 ⁹ / ₁₆
48	60,000	33 ¹ / ₂	16 ¹ / ₄	10 ¹³ / ₁₆	13 ³ / ₄	2 ³ / ₁₆

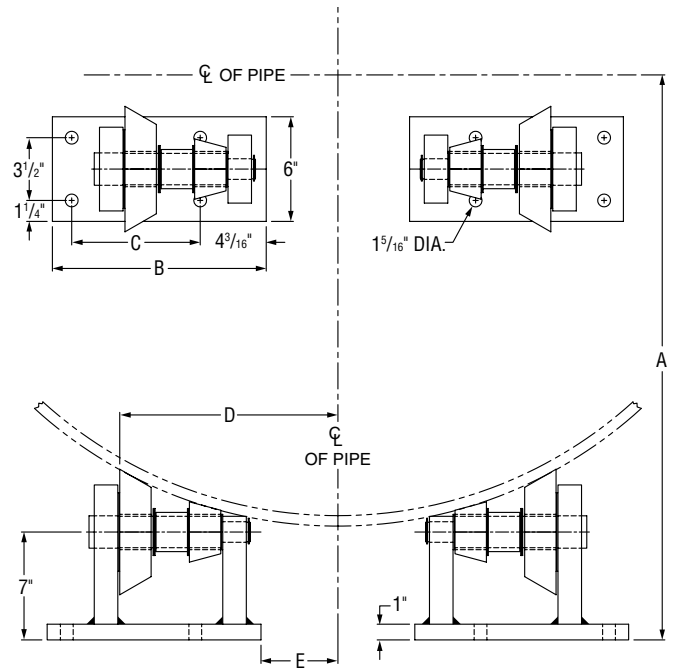


Fig. 170

Horizontal Traveler

Size Range: Available in four sizes to take loads to 20,700 (lbs). All sizes provide for 12" of horizontal travel.

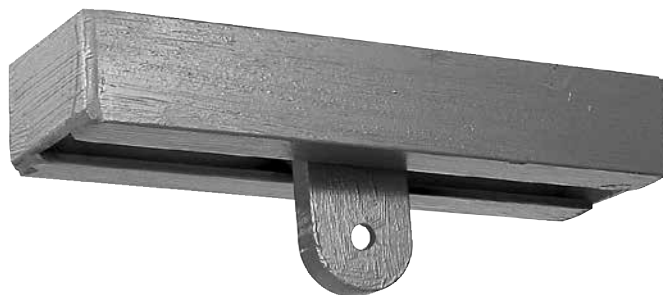
Approvals: Complies with ANSI/MSS SP-69 and MSS SP-58 (Type 58).

Features:

- Highly economical
- Minimum friction
- Virtually dust proof
- Compact – designed for minimum head room
- Versatile

Installation: Shipped ready for installation. Attach to the supporting steel by welding around the frame.

Ordering: Specify size number, figure number, name and “H” dimension, if required. Horizontal travelers will be designed for special loads, travels or dual directional travel upon request.



The Anvil Fig. 170 horizontal traveler facilitates the supporting of piping systems subject to linear horizontal movements where head room is limited. Designed for use with Anvil Variable Spring Hangers or Constant Supports it can also be used in conjunction with a rigid type hanger assembly. Refer to Fig. 71SD and 72SD for additional horizontal traveler designs.

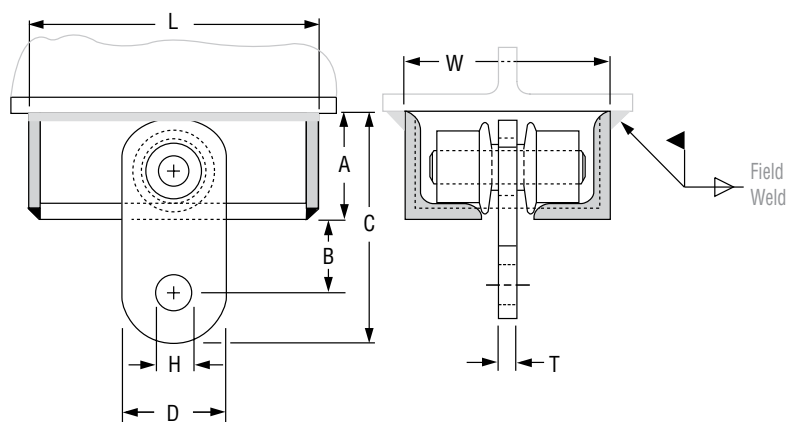


FIG. 170: DIMENSIONS (IN) • LOADS (LBS) • WEIGHTS (LBS)

Size	Maximum Load	Weight	A	B	C	D	H Max	L	T	W
1	3,770	15	2½	1⅝	5⅜	2½	1⅝	15⅝	¾	4⅝
2	6,230	37	3½	2⅝	7⅞	3½	1⅝	16⅝		6⅞
3	11,630	69	5	3	10½	5	1¾	17⅞	1	8⅞
4	20,700	102	6	3½	12½	6	2⅝	19⅞	1½	9⅞

Stanchions
& Supports

Guides
& Slides

Pipe Halls
& Saddles

Trapeze

Spring
Hangers

Constant
Supports

Vibration Control
& Sway Brace

Sway Strut
Assembly

Snubbers

**Special Design
Products**

Seismic
Braces

Seismic
Restraints

Technical
Data

Index

Fig. AF001 (Formerly Anvil Fig. 770 & Afcon Fig. 001/020) Q Brace Clamp

Size Range: Service Pipe: 1" through 6", Brace Pipe: 1" or 1 1/4" Sch. 40

Material: Carbon steel

Finish: Plain or Electro-Galvanized per ASTM B633

Service: Designed to rigidly brace and restrain piping systems subjected to lateral seismic loads. May also be installed to brace piping systems subjected to vertical seismic loads. For vertical load capacities, reference OSHPD OPM-0351-13.

Approvals: cULus Listed (UL 203a) and FM Approved (FM 1950-10 & FM 1950-13). OSHPD Pre-Approved (OPM-0351-13 and OPA-2804-10). Complies with the hanging and bracing requirements listed in NFPA 13.

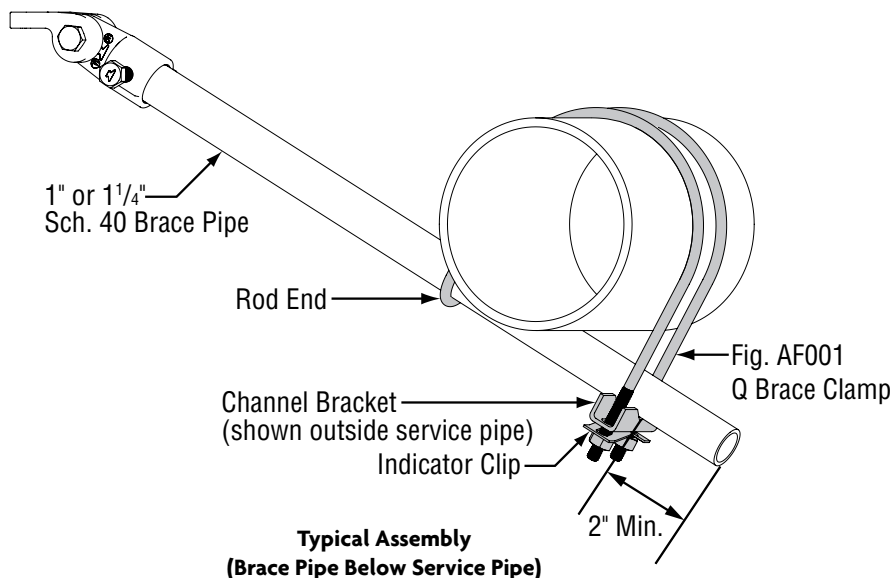
Features:

- Field adjustable design requires no threading of the brace pipe
- Indicator clip provides a visual indication that the desired torque value has been achieved

Installation Instructions:

- Place the 3/8" diameter threaded rod hoop over the service pipe and slide the Sch. 40 brace pipe through the open ends of the threaded rod hoop. The end of the brace pipe must extend at least 2" past the channel bracket.
- Note: The brace pipe may be installed above or below the service pipe.
- Ensure brace pipe is set to the desired installation brace angle.
- Torque hex nuts alternately and equally to the listed torque. Ensure the indicator clip is completely flattened and the brace pipe is tight against the service pipe.
- For riser/4-way brace installations, two Q Brace clamps must be installed within 6" of each other.
- Fire Protection applications shall also be installed per the requirements of NFPA 13 and local codes.

Ordering: Specify service pipe size, brace pipe size, figure number, finish and description.

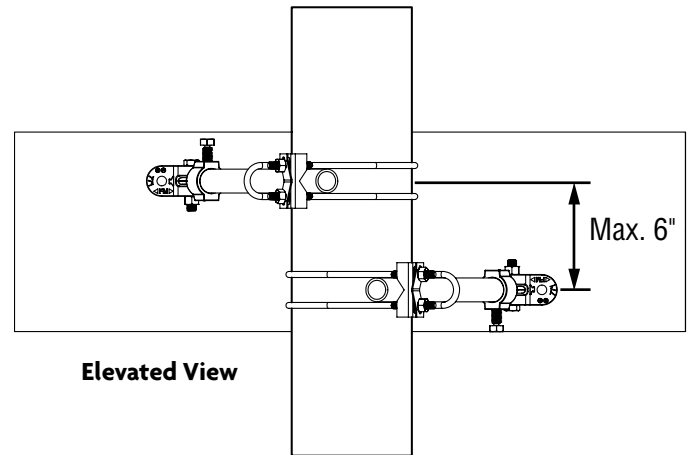
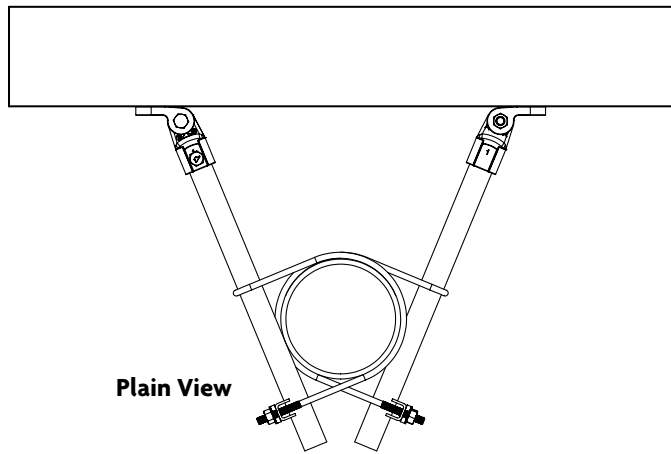


Notes: Anvil International® brand bracing components are designed to be compatible ONLY with other Anvil International® brand bracing components, resulting in a Listed seismic bracing assembly. Updated UL listing information may be viewed at www.ul.com and updated FM approval information may be viewed at www.approvalguide.com.

Disclaimer: Anvil International ("Anvil") does not provide any warranties and specifically disclaims any liability whatsoever with respect to Anvil bracing products and components that are used in combination with products, parts or systems not manufactured or sold by Anvil. In no event shall Anvil be liable for any incidental, direct, consequential, special or indirect damages or lost profits where non-Anvil bracing components have been, or are used.

SeisBrace® Seismic Fire Protection Design Tool may be accessed at www.seisbrace.com

Fig. AF001 (Formerly Anvil Fig. 770 & Afcon Fig. 001/020) Q Brace Clamp (cont.)



Riser/4-Way Brace Assembly

FIG. AF001 cULus & FM INSTALLATION TORQUE: DIMENSIONS (IN) • TORQUE (FT•LBS) • WEIGHT (LBS)

Service Pipe Size	Installation Torque	1" Brace Pipe Weight	1 1/4" Brace Pipe Weight
1	14	0.82	0.87
1 1/4		0.86	0.90
1 1/2		0.90	0.95
2	16	0.96	1.00
2 1/2		1.02	1.06
3		1.09	1.13
4	17	1.23	1.26
5		1.32	1.36
6		1.49	1.53

FIG. AF001 cULus MAX SEISMIC LATERAL LOADS: DIMENSIONS (IN) • LOADS (LBS)

Service Pipe Size	Brace Pipe Size	Max Seismic Brace Load		Max Seismic Restraint Load
		Schedule 10	Schedule 40	
1	1 - 1 1/4	-	1000	1000
1 1/4 - 2		1000		
2 1/2 - 4		1600	1600	
5	1	1600	1600	-
6	1 - 1 1/4	1600	1600	-

FIG. AF001 FM MAX SEISMIC LATERAL ASD LOADS*: DIMENSIONS (IN) • LOADS (LBS) • ANGLES (DEGREES)**

Service Pipe Size	Brace Pipe Size	Pipe Schedule	Max Seismic Brace Load at Brace Pipe Angle**			
			30 - 44	45 - 59	60 - 74	75 - 90
1 - 3	1 - 1 1/4	LW*	250	360	440	500
		Schedule 10	570	810	1000	1100
		Schedule 40				
4 - 5	1 - 1 1/4	LW*	410	590	720	800
		Schedule 10	760	1070	1320	1470
		Schedule 40				
6	1 - 1 1/4	LW*	250	360	440	500
		Schedule 10	770	1090	1340	1490
		Schedule 40				

* Load Rating for LW above refers to FM Approved Lightwall pipe, commonly referred to as Sch. 7 and Flow Pipe. See FM Approval Guide for approved Lightwall pipe.

** Brace Pipe Angles are determined from vertical.

*** The allowable FM approved capacity of brace subassemblies are listed in Allowable Stress Design (ASD). For Load Resistance Factor Design (LRFD) capacities, the above values will need to be multiplied by 1.5.

Stanchions & Supports
 Guides & Slides
 Pipe Rolls & Saddles
 Trapeze
 Spring Hangers
 Constant Supports
 Vibration Control & Sway Brace
 Sway Strut Assembly
 Snubbers
 Special Design Products
Seismic Braces
 Seismic Restraints
 Technical Data
 Index

Fig. AF035 (Formerly Afcon Fig. 035)

Model K Brace Clamp

Size Range: Service Pipe: 1" through 12", Carbon Steel: 1" through 3" CPVC
Brace Pipe: 1" through 2" Sch. 40

Material: Carbon Steel Strap and Ductile Iron Cast Hoop Ends

Finish: Plain or Electro-Galvanized per ASTM B633

Service: Designed to rigidly brace piping systems subjected to lateral seismic loads.

Approvals: cULus Listed (UL 203a) and FM Approved (FM 1950-10 & FM 1950-13). Complies with the hanging and bracing requirements listed in NFPA 13.

Features:

- Unique design provides solutions for carbon steel and CPVC pipe.
- Beveled edge design helps protect the CPVC pipe from any rough surface and eliminates pipe abrasion.
- Large installation hole in the cast hoop ends allows the brace pipe to pass through easily without interference.
- Visual indication of proper assembly when the head of the set screw bottoms out on the cast hoop ends.

Installation Instructions:

- Place the Model K Brace Clamp over the service pipe to be braced and slide the Sch. 40 brace pipe through the cast hoop ends. The end of the brace pipe must extend at least 1" past the cast hoop ends.
- Note: The brace pipe may be installed above or below the service pipe.
- Ensure brace pipe is set to the desired installation brace angle.
- Torque the set screws alternately and equally until the head of the set screw bottoms out on the cast hoop ends.
- For riser/4-way brace installations, two Model K Brace Clamps must be installed within 6" of each other.
- For CPVC installation, ensure the legs of the Model K Brace Clamp strap are parallel to each other and perpendicular to the brace pipe prior to installation.
- Fire Protection applications shall also be installed per the requirements of NFPA 13 and local codes.

Patents: No. 7,516,922, No. 7,523,895

Ordering: Specify service pipe size, brace pipe size, figure number, finish and description.

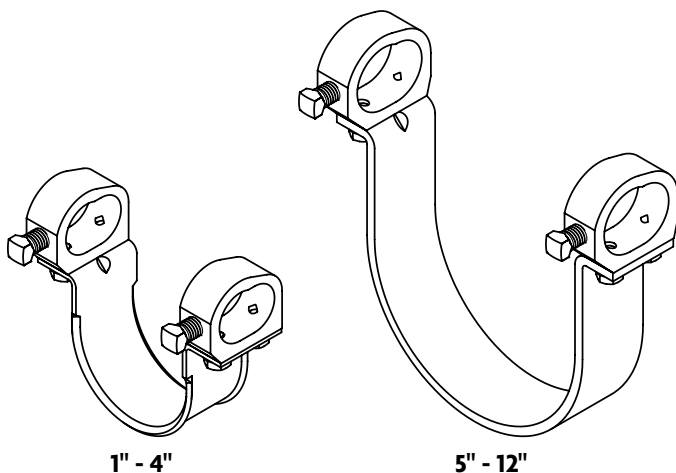


FIG. AF035: DIMENSIONS (IN) • WEIGHT (LBS)				
Service Pipe Size	1" Brace Pipe Weight	1 1/4" Brace Pipe Weight	1 1/2" Brace Pipe Weight	2" Brace Pipe Weight
1	1.60	1.80	2.00	2.28
1 1/4	1.68	1.88	2.08	2.36
1 1/2	1.64	1.84	2.04	2.32
2	1.88	2.08	2.28	2.56
2 1/2	1.90	2.10	2.30	2.58
3	2.10	2.30	2.50	2.78
4	2.20	2.40	2.60	2.88
5	3.40	3.60	3.80	4.08
6	3.90	4.10	4.30	4.58
8	4.80	5.00	5.20	5.48
10	5.60	5.80	6.00	6.28
12	-	6.36	6.56	6.84

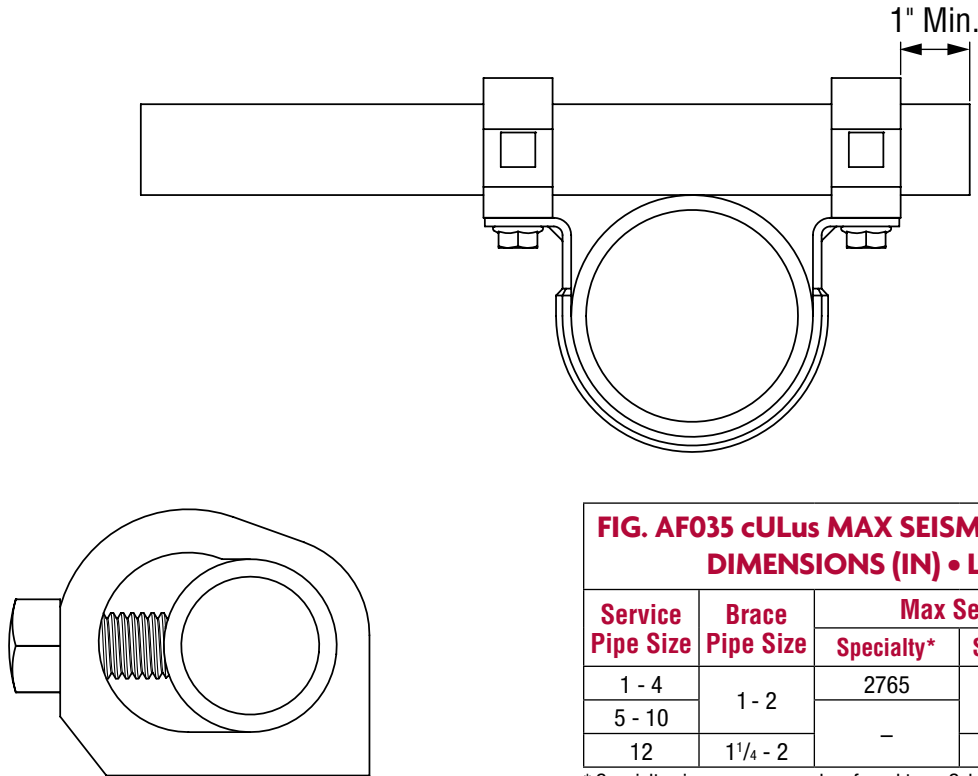
Notes: Anvil International® brand bracing components are designed to be compatible ONLY with other Anvil International® brand bracing components, resulting in a Listed seismic bracing assembly. Updated UL listing information may be viewed at www.ul.com and updated FM approval information may be viewed at www.approvalguide.com.

Disclaimer: Anvil International ("Anvil") does not provide any warranties and specifically disclaims any liability whatsoever with respect to Anvil bracing products and components that are used in combination with products, parts or systems not manufactured or sold by Anvil. In no event shall Anvil be liable for any incidental, direct, consequential, special or indirect damages or lost profits where non-Anvil bracing components have been, or are used.

SeisBrace® Seismic Fire Protection Design Tool may be accessed at www.seisbrace.com

Fig. AF035 (Formerly Afcon Fig. 035)

Model K Brace Clamp (cont.)



Set Screw Installation

FIG. AF035 cULus MAX SEISMIC LATERAL LOADS: DIMENSIONS (IN) • LOADS (LBS)

Service Pipe Size	Brace Pipe Size	Max Seismic Brace Load		
		Specialty*	Schedule 10	Schedule 40
1 - 4	1 - 2	2765	2765	2765
5 - 10		-		
12	1 1/4 - 2	-	3740	3740

* Specialty pipes are commonly referred to as Sch. 7 and Flow Pipe. Please visit the UL listing on the UL website for a complete list of listed specialty pipes.

FIG. AF035 FM MAX SEISMIC LATERAL ASD LOADS*: DIMENSIONS (IN) • LOADS (LBS) • ANGLES (DEGREES)**

Service Pipe Size	Brace Pipe Size	Pipe Schedule	Max Seismic Brace Load at Brace Pipe Angle**			
			30 - 44	45 - 59	60 - 74	75 - 90
1 - 1 1/2	1 - 2	LW* - Sch. 40	1680	2380	2920	3250
2 - 3		LW* - Sch. 40	1800	2550	3120	3490
4		LW* - Sch. 40	1370	1930	2370	2640
5 - 8		Sch. 10 - Sch. 40	730	1040	1270	1420

* Load Rating for LW above refers to FM Approved Lightwall pipe, commonly referred to as Sch. 7 and Flow Pipe. See FM Approval Guide for approved Lightwall pipe.

** Brace Pipe Angles are determined from vertical.

*** The allowable FM approved capacity of brace subassemblies are listed in Allowable Stress Design (ASD). For Load Resistance Factor Design (LRFD) capacities, the above values will need to be multiplied by 1.5.

Fig. AF075 (Formerly Afcon Fig. 075) Sway Brace Swivel Attachment

Size Range: Brace Pipe: 1" through 2" Sch. 40; Anchor Size: 1/2"

Material: Ductile Iron Cast Hoop End with Carbon Steel Baseplate and Hardware

Finish: Plain or Electro-Galvanized per ASTM B633

Service: A seismic swivel attachment designed to connect brace pipe to the building structure or to a seismic structural attachment. The Sway Brace Swivel Attachment rigidly braces piping systems subjected to horizontal seismic loads.

Approvals: cULus Listed (UL 203a) and FM Approved (FM 1950-10 & FM 1950-13). Complies with the hanging and bracing requirements listed in NFPA 13.

Features:

- Large installation hole in the cast hoop end allows the brace pipe to pass through easily without interference.
- Field adjustable design requires no threading of the brace pipe
- The set screw design provides a visual indication that the desired torque value has been achieved

Installation Instructions:

- Insert anchor through the mounting hole and into the structure or seismic structural attachment.
- For connection to Fig. AF085, AF086, AF087, and AF779 seismic structural attachments, the bolt and nuts shall be installed wrench tight (typically finger tight plus 1/4 to 1/2 turns).
- For connection to concrete, wood, timber, steel, and other structures, install fasteners per the fastener manufacturer's installation instructions.
- Insert Sch. 40 brace pipe into the cast hoop end. The brace pipe should extend a minimum of 0.50" past the back of the cast hoop end.
- Torque set screw until the head bottoms out on the cast hoop end.
- Check the cross bolt and nut and ensure the nut is wrench tight.
- Fire Protection applications shall also be installed per the requirements of NFPA 13 and local codes.

Ordering: Specify brace pipe, figure number, finish and description.

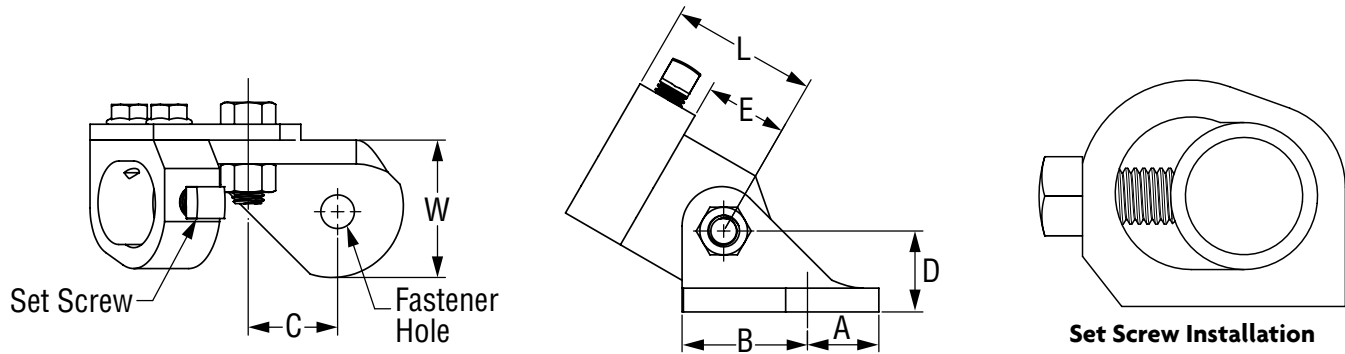


FIG. AF075: DIMENSIONS (IN) • WEIGHT (LBS)

Fastener Size	Brace Size	A	B	C	D	E	L	W	Weight
1/2	1	1.00	1.83	1.25	1.38	1 5/16	2 5/16	2 7/8	1.70
	1 1/4								1.80
	1 1/2								1.90
	2								2.04

Notes: Anvil International® brand bracing components are designed to be compatible ONLY with other Anvil International® brand bracing components, resulting in a Listed seismic bracing assembly. Updated UL listing information may be viewed at www.ul.com and updated FM approval information may be viewed at www.approvalguide.com.

Disclaimer: Anvil International ("Anvil") does not provide any warranties and specifically disclaims any liability whatsoever with respect to Anvil bracing products and components that are used in combination with products, parts or systems not manufactured or sold by Anvil. In no event shall Anvil be liable for any incidental, direct, consequential, special or indirect damages or lost profits where non-Anvil bracing components have been, or are used.

SeisBrace® Seismic Fire Protection Design Tool may be accessed at www.seisbrace.com

Fig. AF075 (Formerly Afcon Fig. 075)

Sway Brace Swivel Attachment (cont.)

FIG. AF075 cULus MAX SEISMIC HORIZONTAL LOADS: DIMENSIONS (IN) • LOADS (LBS)			
Brace Pipe Size	Fastener Size	Max Seismic Brace Load	Max Service Pipe Size
1 - 2	1/2	2015	8

FIG. AF075 FM MAX SEISMIC HORIZONTAL ASD LOADS**: DIMENSIONS (IN) • LOADS (LBS)					
Brace Pipe Size	Fastener Size	Max Seismic Brace Load at Brace Pipe Angle*			
		30-44	45-59	60-74	75-90
1 - 2	1/2	1410	2000	2450	2740

* Brace Pipe Angles are determined from vertical.

**The allowable FM approved capacity of brace subassemblies are listed in Allowable Stress Design (ASD). For Load Resistance Factor Design (LRFD) capacities, the above values will need to be multiplied by 1.5.

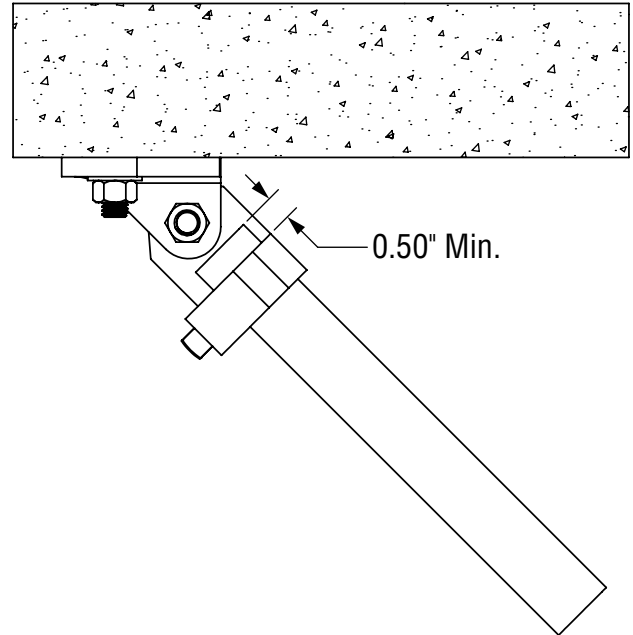


FIG. AF075 HORIZONTAL PRYING FACTORS (Pr) PER NFPA: ANGLES (DEG)									
Brace Orientation*	A	B	C	D	E	F	G	H	I
Brace Angle**	30-44	45-59	60-90	30-44	45-59	60-90	30-44	45-59	60-90
Prying Factor (Pr)	3.724	2.150	1.375	2.150	2.150	2.250	2.750	1.945	1.588

* Brace Orientation per NFPA 13-2016 Figure 9.3.5.12.1.

** Brace Pipe Angles are determined from vertical.

Fig. AF076 (Formerly Afcon Fig. 076) Sway Brace Swivel Attachment

Size Range: Brace Pipe: 1" through 2" Sch. 40; Anchor Size: 1/2"

Material: Ductile Iron Jaw with Carbon Steel Baseplate and Hardware

Finish: Plain or Electro-Galvanized per ASTM B633

Service: A seismic swivel attachment designed to connect brace pipe to the building structure or to a seismic structural attachment. The Sway Brace Swivel Attachment rigidly braces piping systems subjected to lateral seismic loads.

Approvals: cULus Listed (UL 203a) and FM Approved (FM 1950-10 & FM 1950-13). Complies with the hanging and bracing requirements listed in NFPA 13.

Features:

- One universal jaw allows for attachment to multiple brace pipe sizes.
- Field adjustable design requires no threading of the brace pipe.
- Shear off set screw provides a visual indication that the desired torque value has been achieved.

Installation Instructions:

- Insert anchor through the mounting hole and into the structure or seismic structural attachment.
- For connection to Fig. AF085, AF086, AF087, and AF779 seismic structural attachments, the bolt and nuts shall be installed wrench tight (typically finger tight plus 1/4 to 1/2 turns).
- For connection to concrete, wood, timber, steel, and other structures, install fasteners per the fastener manufacturer's installation instructions.
- Insert Sch. 40 brace pipe into the brace jaw until the brace pipe bottoms out.
- Torque shear off bolt until head shears off.
- Check the cross bolt and nut and ensure the nut is wrench tight.
- Fire Protection applications shall also be installed per the requirements of NFPA 13 and local codes.

Ordering: Specify figure number, finish and description.

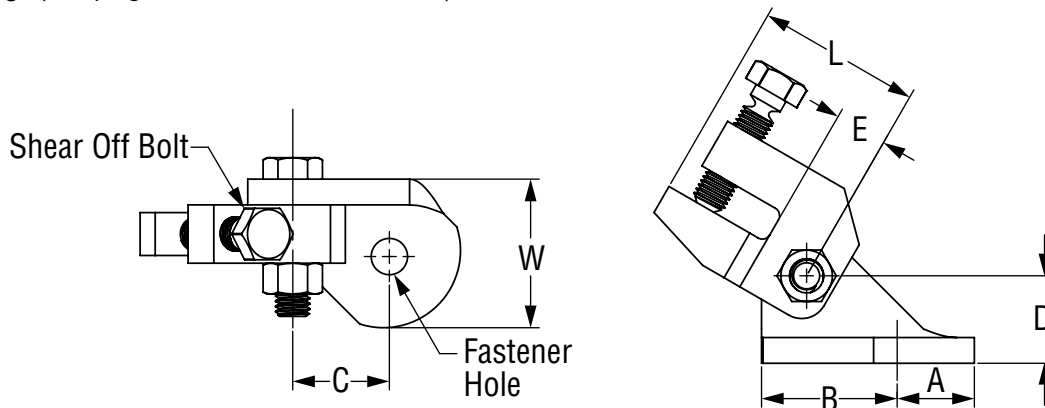
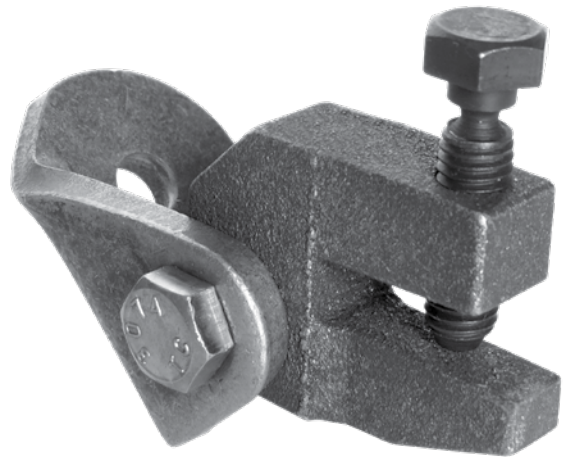


FIG. AF076: DIMENSIONS (IN) • WEIGHT (LBS)

Fastener Size	A	B	C	D	E	L	W	Weight
1/2	1.00	1.83	1.25	1.38	3/4	2 5/8	2 1/8	1.68

Notes: Anvil International® brand bracing components are designed to be compatible ONLY with other Anvil International® brand bracing components, resulting in a Listed seismic bracing assembly. Updated UL listing information may be viewed at www.ul.com and updated FM approval information may be viewed at www.approvalguide.com.

Disclaimer: Anvil International ("Anvil") does not provide any warranties and specifically disclaims any liability whatsoever with respect to Anvil bracing products and components that are used in combination with products, parts or systems not manufactured or sold by Anvil. In no event shall Anvil be liable for any incidental, direct, consequential, special or indirect damages or lost profits where non-Anvil bracing components have been, or are used.

SeisBrace® Seismic Fire Protection Design Tool may be accessed at www.seisbrace.com

Fig. AF076 (Formerly Afcon Fig. 076)

Sway Brace Swivel Attachment (cont.)

FIG. AF076 cULus MAX SEISMIC HORIZONTAL LOADS: DIMENSIONS (IN) • LOADS (LBS)			
Brace Pipe Size	Fastener Size	Max Seismic Brace Load	Max Service Pipe Size
1 - 2	1/2	2765	10

FIG. AF076 FM MAX SEISMIC HORIZONTAL ASD LOADS**: DIMENSIONS (IN) • LOADS (LBS)					
Brace Pipe Size	Fastener Size	Max Seismic Brace Load at Brace Pipe Angle*			
		30-44	45-59	60-74	75-90
1 - 2	1/2	1310	1810	2630	2930

* Brace Pipe Angles are determined from vertical.

**The allowable FM approved capacity of brace subassemblies are listed in Allowable Stress Design (ASD). For Load Resistance Factor Design (LRFD) capacities, the above values will need to be multiplied by 1.5.

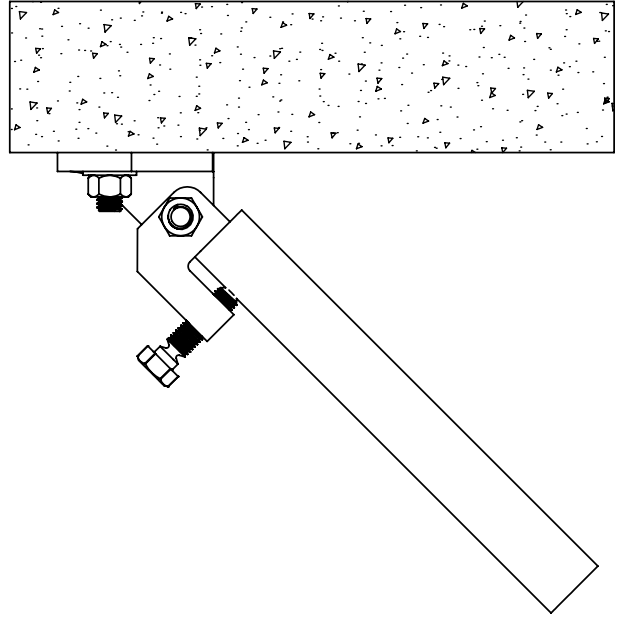


FIG. AF076 HORIZONTAL PRYING FACTORS (Pr) PER NFPA: ANGLES (DEG)									
Brace Orientation*	A	B	C	D	E	F	G	H	I
Brace Angle**	30-44	45-59	60-90	30-44	45-59	60-90	30-44	45-59	60-90
Prying Factor (Pr)	3.724	2.150	1.375	2.150	2.150	2.250	2.750	1.945	1.588

* Brace Orientation per NFPA 13-2016 Figure 9.3.5.12.1.

** Brace Pipe Angles are determined from vertical.

Stanchions & Supports

Guides & Slides

Pipe Poles & Saddles

Trapeze

Spring Hangers

Constant Supports

Vibration Control & Sway Brace

Sway Strut Assembly

Snubbers

Special Design Products

Seismic Braces

Seismic Restraints

Technical Data

Index

Fig. AF077 (Formerly Afcon Fig. 077) Sway Brace Swivel Attachment

Size Range: Brace Pipe: 1" through 1½" Sch. 40; Anchor Size: ½"

Material: Carbon Steel

Finish: Plain or Electro-Galvanized per ASTM B633

Service: A seismic swivel attachment designed to connect brace pipe to the building structure or to a seismic structural attachment. The Sway Brace Swivel Attachment rigidly braces piping systems subjected to horizontal seismic loads.

Approvals: cULus Listed (UL 203a) and FM Approved (FM 1950-10 & FM 1950-13). Complies with the hanging and bracing requirements listed in NFPA 13.

Features:

- Field adjustable design requires no threading of the brace pipe
- The set screw design provides a visual indication that the desired torque value has been achieved.

Installation Instructions:

- Insert anchor through the mounting hole and into the structure or seismic structural attachment.
- For connection to Fig. AF085, AF086, AF087, and AF779 seismic structural attachments, the bolt and nuts shall be installed wrench tight (typically finger tight plus ¼ to ½ turns).
- For connection to concrete, wood, timber, steel, and other structures, install fasteners per the fastener manufacturer's installation instructions.
- Insert Sch. 40 brace pipe into the bracket end. The brace pipe should extend a minimum of 0.50" past the back of the bracket.
- Torque set screw until the head bottoms out on the bracket.
- Check the cross bolt and nut and ensure the nut is wrench tight.
- Fire Protection applications shall also be installed per the requirements of NFPA 13 and local codes.

Ordering: Specify brace pipe size, figure number, finish, and description.

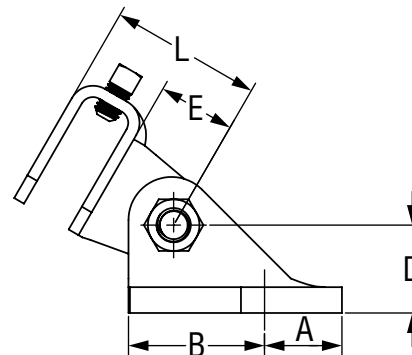
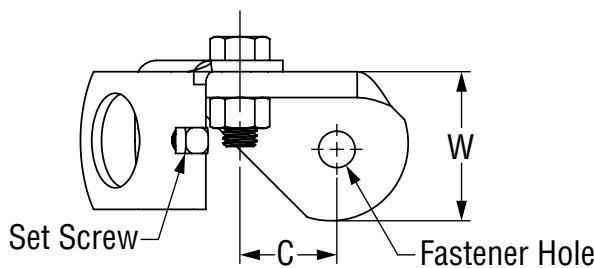
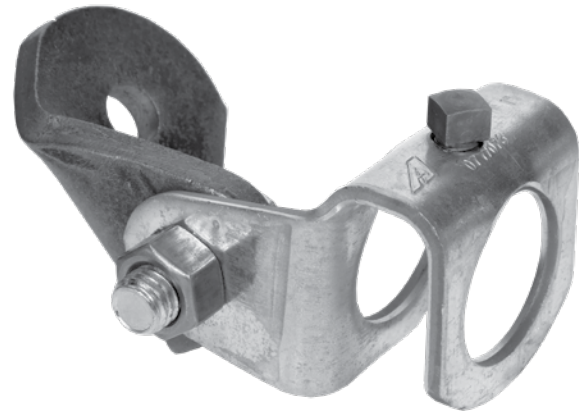


FIG. AF077: DIMENSIONS (IN) • WEIGHT (LBS)

Fastener Size	Brace Size	A	B	C	D	E	L	W	Weight
½	1	1.00	1.83	1.25	1.38	1⅛	2⅜	2⅝	1.12
	1¼						2⅞		1.28

Notes: Anvil International® brand bracing components are designed to be compatible ONLY with other Anvil International® brand bracing components, resulting in a Listed seismic bracing assembly. Updated UL listing information may be viewed at www.ul.com and updated FM approval information may be viewed at www.approvalguide.com.

Disclaimer: Anvil International ("Anvil") does not provide any warranties and specifically disclaims any liability whatsoever with respect to Anvil bracing products and components that are used in combination with products, parts or systems not manufactured or sold by Anvil. In no event shall Anvil be liable for any incidental, direct, consequential, special or indirect damages or lost profits where non-Anvil bracing components have been, or are used.

SeisBrace® Seismic Fire Protection Design Tool may be accessed at www.seisbrace.com

Fig. AF077 (Formerly Afcon Fig. 077)

Sway Brace Swivel Attachment (cont.)

FIG. AF077 cULus MAX SEISMIC HORIZONTAL LOADS: DIMENSIONS (IN) • LOADS (LBS)

Brace Pipe Size	Fastener Size	Max Seismic Brace Load	Max Service Pipe Size
1 - 1 ¹ / ₄	1/2	1000	4

FIG. AF077 FM MAX SEISMIC HORIZONTAL ASD LOADS: DIMENSIONS (IN) • LOADS (LBS)**

Brace Pipe Size	Fastener Size	Max Seismic Brace Load at Brace Pipe Angle*			
		30-44	45-59	60-74	75-90
1 - 1 ¹ / ₄	1/2	430	620	760	840

* Brace Pipe Angles are determined from vertical.

**The allowable FM approved capacity of brace subassemblies are listed in Allowable Stress Design (ASD). For Load Resistance Factor Design (LRFD) capacities, the above values will need to be multiplied by 1.5.

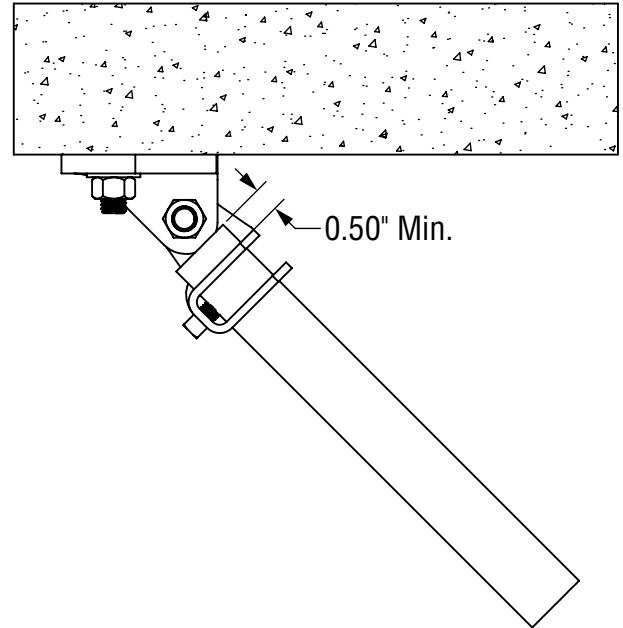


FIG. AF077 HORIZONTAL PRYING FACTORS (Pr) PER NFPA: ANGLES (DEG)

Brace Orientation*	A	B	C	D	E	F	G	H	I
Brace Angle**	30-44	45-59	60-90	30-44	45-59	60-90	30-44	45-59	60-90
Prying Factor (Pr)	3.724	2.150	1.375	2.150	2.150	2.250	2.750	1.945	1.588

* Brace Orientation per NFPA 13-2016 Figure 9.3.5.12.1.

** Brace Pipe Angles are determined from vertical.

Fig. AF085 (Formerly Afcon Fig. 085)

Joist Adapter

Size Range: Joist Gap: 1/2" through 1 1/4"

Material: Carbon Steel

Finish: Plain or Electro-Galvanized per ASTM B633

Service: A seismic structural attachment designed to attach to steel joists. The joist adapter rigidly braces piping systems subjected to horizontal seismic loads.

Approvals: cULus Listed (UL 203a). Complies with the hanging and bracing requirements listed in NFPA 13. Additionally, cULus Listed (UL 203) as a hanger for up to 8" pipe.

Features: Center loads the steel joist.

Installation Instructions:

- Thread 1/2"-13 Rod through the tapped hole in the top plate of the joist adapter.
- Center the top plate and rod over the gap of the steel joist
- Center the bottom bracket between the vertical flanges and allow the rod to pass through the 1/2" thru hole.
- Mount the Fig. AF075, AF076, or AF077 on the underside of the bottom bracket.
- Install the 1/2"-13 standard hex nut on the exposed rod. The hex nut shall be torqued to 40ft*lbs.
- Installation angle determined by the brace angle of the brace pipe and the AF075, AF076, or AF077.
- Fire Protection applications shall also be installed per the requirements of NFPA 13 and local codes.

Ordering: Specify figure number, finish, and description.

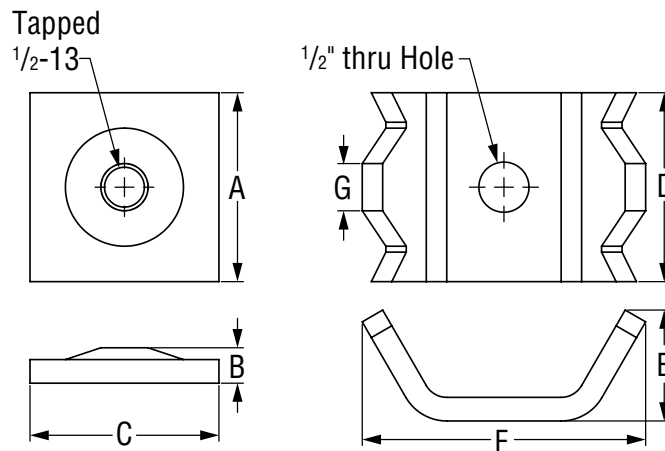
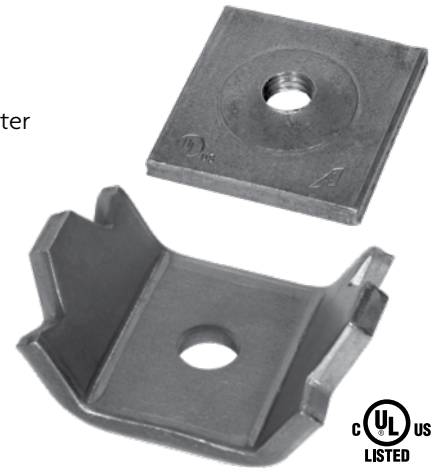


FIG. AF085: DIMENSIONS (IN) • WEIGHT (LBS)

A	B	C	D	E	F	G	Weight
2	3/8	2	2	1 3/16	3	1/2	0.72

Notes: Anvil International® brand bracing components are designed to be compatible ONLY with other Anvil International® brand bracing components, resulting in a Listed seismic bracing assembly. Updated UL listing information may be viewed at www.ul.com

Disclaimer: Anvil International (“Anvil”) does not provide any warranties and specifically disclaims any liability whatsoever with respect to Anvil bracing products and components that are used in combination with products, parts or systems not manufactured or sold by Anvil. In no event shall Anvil be liable for any incidental, direct, consequential, special or indirect damages or lost profits where non-Anvil bracing components have been, or are used.

SeisBrace® Seismic Fire Protection Design Tool may be accessed at www.seisbrace.com

Fig. AF085 (Formerly Afcon Fig. 085)

Joist Adapter (cont.)

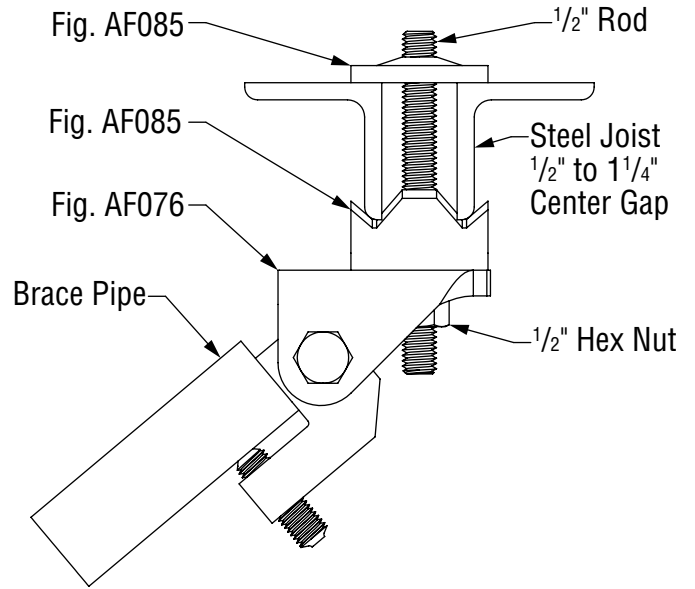
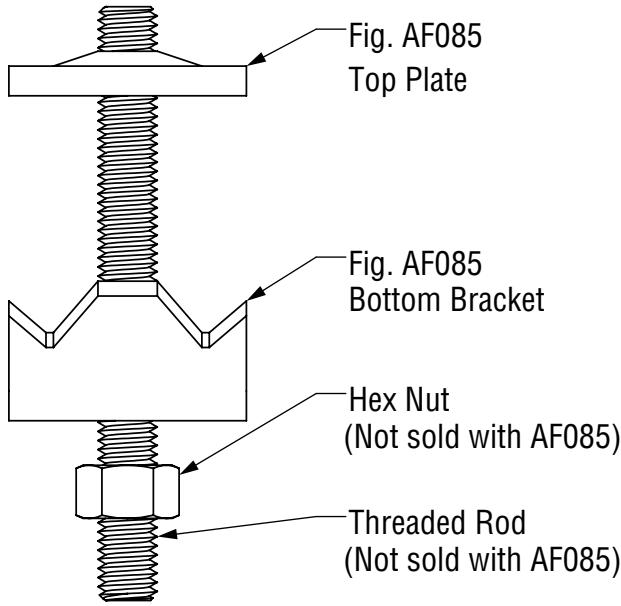


FIG. AF085 cULus MAX SEISMIC HORIZONTAL LOADS: DIMENSIONS (IN) • LOADS (LBS)

Structure	Seismic Load Orientation	Max Seismic Brace Load	Max Service Pipe Size
Steel Joist	Parallel to Joist	2015	8
	Perpendicular to Joist		

Stanchions & Supports

Guides & Slides

Pipe Poles & Saddles

Trapeze

Spring Hangers

Constant Supports

Vibration Control & Sway Brace

Sway Strut Assembly

Snubbers

Special Design Products

Seismic Braces

Seismic Restraints

Technical Data

Index

Fig. AF086 (Formerly Afcon Fig. 086) Adjustable Structural Brace Attachment

Size Range: Flange Thickness: Up to 1/2" thick (UL),
Up to 3/8" thick (FM)

Material: Carbon Steel

Finish: Plain or Electro-Galvanized per ASTM B633

Service: A seismic structural attachment designed to attach to steel I-beams. The structural brace attachment rigidly braces piping systems subjected to horizontal seismic loads.

Approvals: cULus Listed (UL 203a) and FM Approved (FM 1950-10 & FM 1950-13). Complies with the hanging and bracing requirements listed in NFPA 13. Additionally, cULus Listed (UL 203) as a hanger for up to 8" pipe.

Features: Shear off nuts provide a visual indication that the desired torque value has been achieved.

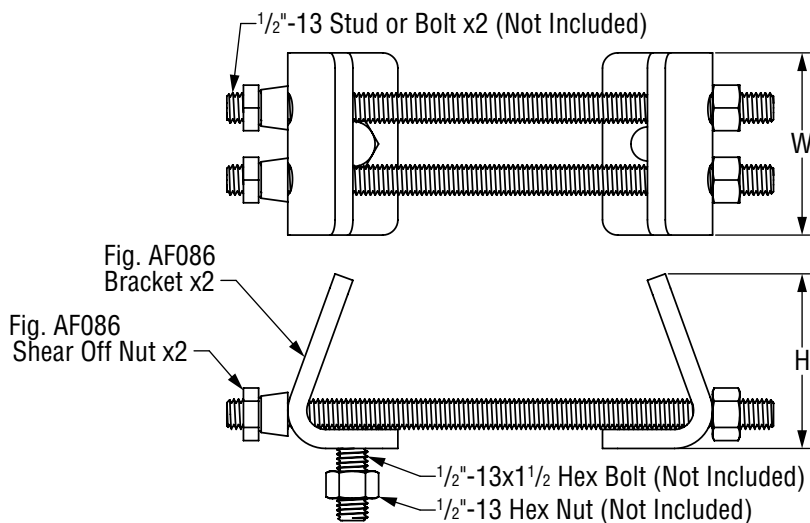
Installation Instructions:

- Insert one 1/2" x 1 1/2" hex bolt through the mounting hole of one bracket.
- Place both brackets on a horizontal steel flange.
- Install two 1/2"-13 studs or bolts with the shear off nuts through the mounting slots on both brackets. Studs or bolts manufactured per ASTM A307 or equivalent.
- Torque shear off nuts evenly and equally until the heads shear off.
- Install the 1/2" x 1 1/2" mounting bolt through the 1/2" AF075, AF076, or AF077 mounting hole. The mounting bolt shall be installed wrench tight (typically finger tight plus 1/4 to 1/2 turns).
- Installation angle determined by the brace angle of the brace pipe and the AF075, AF076, or AF077.
- Fire Protection applications shall also be installed per the requirements of NFPA 13 and local codes.

Patent: No. 6,334,285

Ordering: Specify figure number, finish and description.

Note: Only sold with brackets and shear off nuts. 1/2" x 1 1/2" hex bolt and 1/2"-13 studs or bolts not included.



Notes: Anvil International® brand bracing components are designed to be compatible ONLY with other Anvil International® brand bracing components, resulting in a Listed seismic bracing assembly. Updated UL listing information may be viewed at www.ul.com and updated FM approval information may be viewed at www.approvalguide.com.

Disclaimer: Anvil International ("Anvil") does not provide any warranties and specifically disclaims any liability whatsoever with respect to Anvil bracing products and components that are used in combination with products, parts or systems not manufactured or sold by Anvil. In no event shall Anvil be liable for any incidental, direct, consequential, special or indirect damages or lost profits where non-Anvil bracing components have been, or are used.

SeisBrace® Seismic Fire Protection Design Tool may be accessed at www.seisbrace.com

FIG. AF086: DIMENSIONS (IN) • WEIGHT (LBS)

Mounting Bolt	Mounting Slots	H	W	Weight
1/2	1/2	2 3/4	3	2.25

Fig. AF086 (Formerly Afcon Fig. 086)

Adjustable Structural Brace Attachment (cont.)

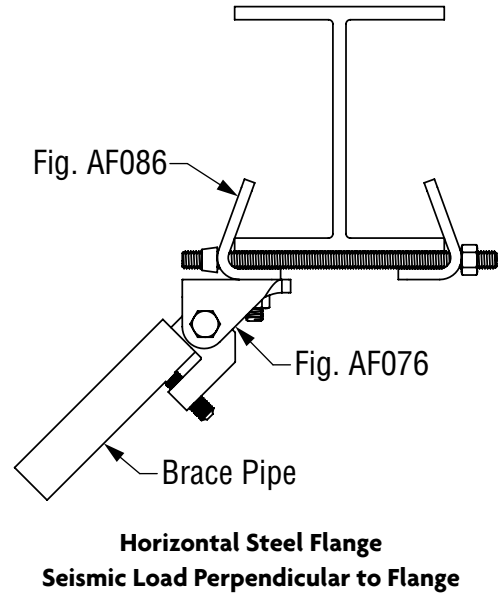
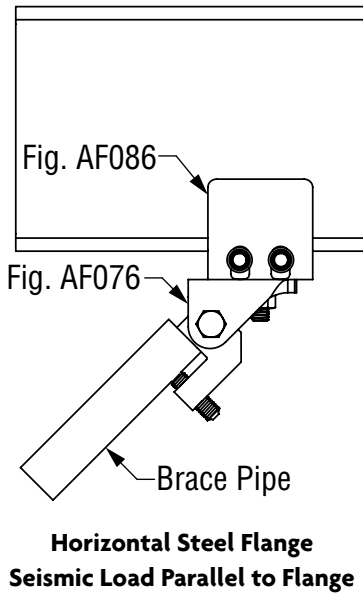


FIG. AF086 cULus MAX SEISMIC HORIZONTAL LOADS: DIMENSIONS (IN) • LOADS (LBS)				
Structure	Seismic Load Orientation	Max Flange Thickness	Max Seismic Brace Load	Max Service Pipe Size
Horizontal Steel Flange	Parallel to Flange	1 1/4	1265	4
	Perpendicular to Flange		2015	8

FIG. AF086 FM MAX SEISMIC HORIZONTAL ASD LOADS**: DIMENSIONS (IN) • LOADS (LBS) • ANGLES (DEG)						
Structure	Seismic Load Orientation	Flange Thickness	Max Seismic Brace Load at Brace Pipe Angle*			
			30-44	45-59	60-74	75-90
Horizontal Steel Flange	Parallel to Flange	1/4 - 1 1/4	1270	890	1070	1190
	Perpendicular to Flange		1180	1630	1990	2220

* Brace Pipe Angles are determined from vertical.

**The allowable FM approved capacity of brace subassemblies are listed in Allowable Stress Design (ASD). For Load Resistance Factor Design (LRFD) capacities, the above values will need to be multiplied by 1.5.

Stanchions & Supports

Guides & Slides

Pipe Rolls & Saddles

Trapeze

Spring Hangers

Constant Supports

Vibration Control & Sway Brace

Sway Strut Assembly

Snubbers

Special Design Products

Seismic Braces

Seismic Restraints

Technical Data

Index

Fig. AF087 (Formerly Afcon Fig. 087)

Structural Brace Attachment

Size Range: Flange Thickness: Up to 1/2" thick (UL), Up to 3/8" thick (FM)

Material: Ductile Iron with Carbon Steel Hardware

Finish: Plain or Electro-Galvanized per ASTM B633

Service: A seismic structural attachment designed to attach to steel I-beams, flanges, and joists. The Structural Brace Attachment rigidly braces piping systems subjected to horizontal seismic loads.

Approvals: cULus Listed (UL 203a) and FM Approved (FM 1950-10 & FM 1950-13).

Complies with the hanging and bracing requirements listed in NFPA 13.

Features: Shear off bolt provides a visual indication that the desired torque value has been achieved.

Installation Instructions:

- Place structural brace attachment on a horizontal or vertical steel flange.
- Torque shear off bolts evenly and equally until the head shears off.
- Install the 1/2" mounting bolt through the 1/2" AF075, AF076, or AF077 mounting hole. The mounting bolt shall be installed wrench tight (typically finger tight plus 1/4 to 1/2 turns).
- Installation angle determined by the brace angle of the brace pipe and the AF075, AF076, or AF077.
- Fire Protection applications shall also be installed per the requirements of NFPA 13 and local codes.

Patent: No. 6,629,678

Ordering: Specify figure number, finish and description.

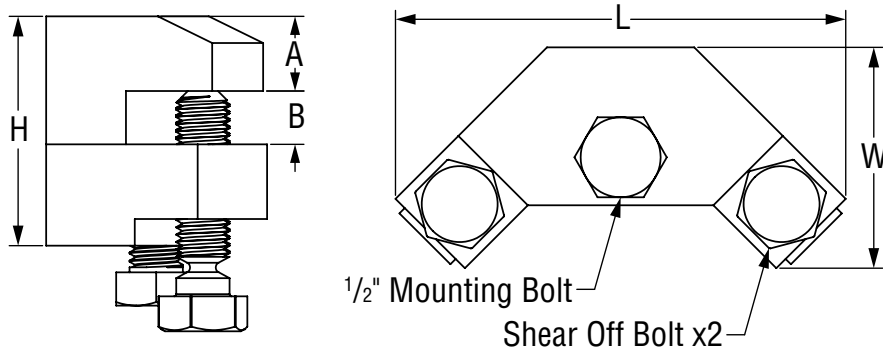
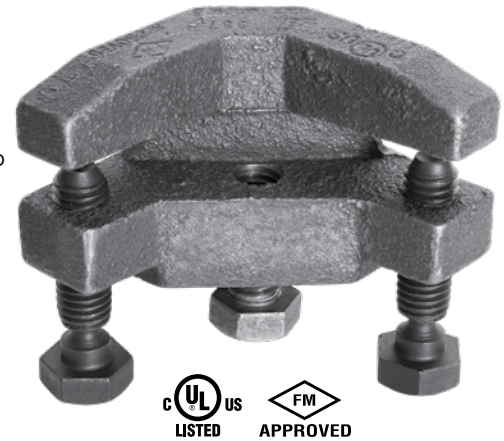


FIG. AF087: DIMENSIONS (IN) • WEIGHT (LBS)

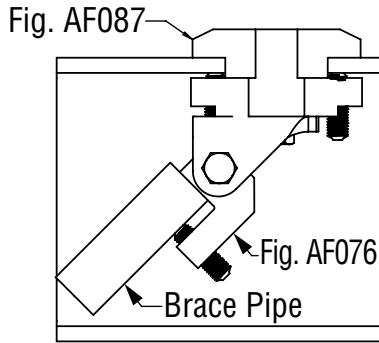
Mounting Bolt	L	W	H	A	B	Weight
1/2	4 1/4	2	2 1/8	3/4	1/2	2.00

Notes: Anvil International® brand bracing components are designed to be compatible ONLY with other Anvil International® brand bracing components, resulting in a Listed seismic bracing assembly. Updated UL listing information may be viewed at www.ul.com and updated FM approval information may be viewed at www.approvalguide.com.

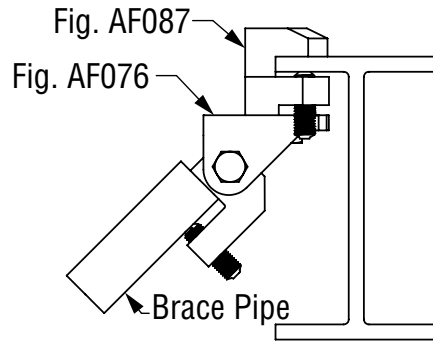
Disclaimer: Anvil International ("Anvil") does not provide any warranties and specifically disclaims any liability whatsoever with respect to Anvil bracing products and components that are used in combination with products, parts or systems not manufactured or sold by Anvil. In no event shall Anvil be liable for any incidental, direct, consequential, special or indirect damages or lost profits where non-Anvil bracing components have been, or are used.

SeisBrace® Seismic Fire Protection Design Tool may be accessed at www.seisbrace.com

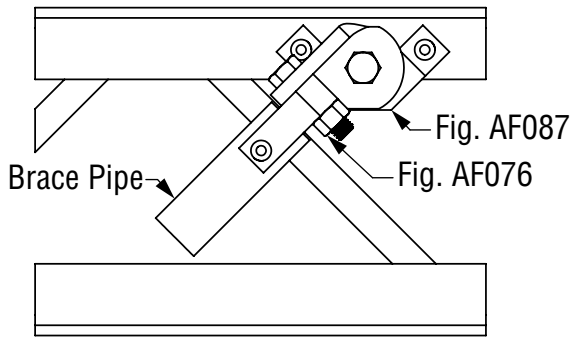
Fig. AF087 (Formerly Afcon Fig. 087) Structural Brace Attachment (cont.)



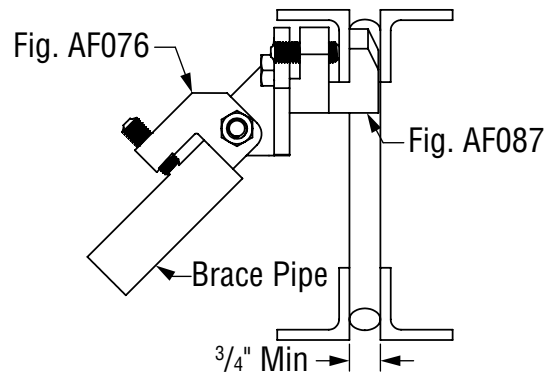
Horizontal Steel Flange
Seismic Load Parallel to Flange



Horizontal Steel Flange
Seismic Load Perpendicular to Flange



Vertical Steel Flange
Seismic Load Parallel to Flange



Vertical Steel Flange
Seismic Load Perpendicular to Flange

FIG. AF087 cULus MAX SEISMIC HORIZONTAL LOADS: DIMENSIONS (IN) • LOADS (LBS)

Structure	Seismic Load Orientation	Max Flange Thickness	Max Seismic Brace Load	Max Service Pipe Size
Horizontal Steel Flange and Vertical Steel Flange	Parallel to Flange	1/2	1400	4
	Perpendicular to Flange			

FIG. AF087 FM MAX SEISMIC HORIZONTAL ASD LOADS: DIMENSIONS (IN) • LOADS (LBS) • ANGLES (DEG)**

Structure	Seismic Load Orientation	Min Flange Thickness	Max Seismic Brace Load at Brace Pipe Angle*			
			30-44	45-59	60-74	75-90
Vertical Steel Flange	Parallel to Flange	3/8	1270	1740	2140	2380
	Perpendicular to Flange		1150	1630	3230	3610

* Brace Pipe Angles are determined from vertical.

**The allowable FM approved capacity of brace subassemblies are listed in Allowable Stress Design (ASD). For Load Resistance Factor Design (LRFD) capacities, the above values will need to be multiplied by 1.5.

Fig. AF411 (Formerly Afcon Fig. 411)
Fig. AF074 (Formerly Afcon Fig. 074)
Fig. AF078 (Formerly Afcon Fig. 078)

Longitudinal Seismic Clamp
Brace Attachment Fitting
Brace Attachment Fitting

Size Range: Service Pipe: 1" through 10" Carbon Steel
 Brace Pipe: 1" through 2" Sch. 40

Material: Carbon Steel (AF074 Only: Ductile Iron Brace Socket)

Finish: Plain or Electro-Galvanized per ASTM B633

Service: Designed to rigidly brace piping systems subjected to longitudinal seismic loads. The Fig. AF411 may be installed with Fig. AF074 or AF078 Brace Attachment Fittings.

Approvals: cULus Listed (UL 203a) and FM Approved (FM 1950-10 & FM 1950-13). Complies with the hanging and bracing requirements listed in NFPA 13.

Features: Visual indication of assembly when the clamp ears make metal-to-metal contact.

Installation Instructions:

- Mount the Fig. AF074 or AF078 on the outside of the outside of the Fig. AF411 clamps ears.
- Position the clamp at the desired location on the service pipe and hand tighten the hex bolts.
- Insert brace pipe into the AF074 or AF078 socket and torque the set screw until the head bottoms out on the AF074 or AF078. Brace pipe must extend 1/2" past the end of the brace socket.
- Ensure the brace pipe is set to the desired installation brace angle.
- Tighten the clamp bolts and nuts equally and alternately until metal-to-metal contact is achieved and the nuts are wrench tight.
- Fire Protection applications shall also be installed per the requirements of NFPA 13 and local codes.

Ordering: AF411: Specify service pipe size, figure number, finish, and description.

AF074 & AF078: Specify brace pipe size, figure number, finish, and description.

AF411, AF074, & AF078 all sold separately.

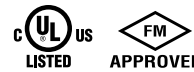


Fig. AF411

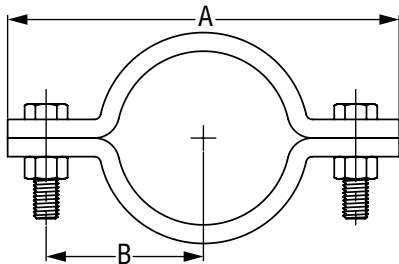


Fig. AF074



Fig. AF078

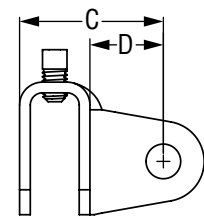
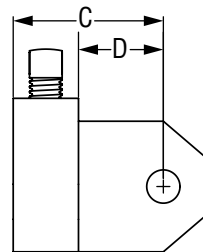


FIG. AF411: DIMENSIONS (IN) • WEIGHT (LBS)			
Service Pipe Size	A	B	Weight
1	5 5/8	2 1/8	1.75
1 1/4	6	2 1/4	1.90
1 1/2	6 1/8	2 1/4	2.00
2	6 3/4	2 1/2	2.15
2 1/2	7 3/8	2 3/8	2.40
3	7 7/8	3 1/8	2.60
4	9	3 3/8	3.10
6	11 1/2	4 7/8	4.50
8	13 1/2	5 3/8	5.50

FIG. AF074 & AF078: DIMENSIONS (IN) • WEIGHT (LBS)						
Brace Pipe	AF074			AF078		
	C	D	Weight	C	D	Weight
1	2 3/16	1 1/16	0.97	2 5/16	1 1/8	0.38
1 1/4			1.07			0.54
1 1/2			1.17			
2			1.31			

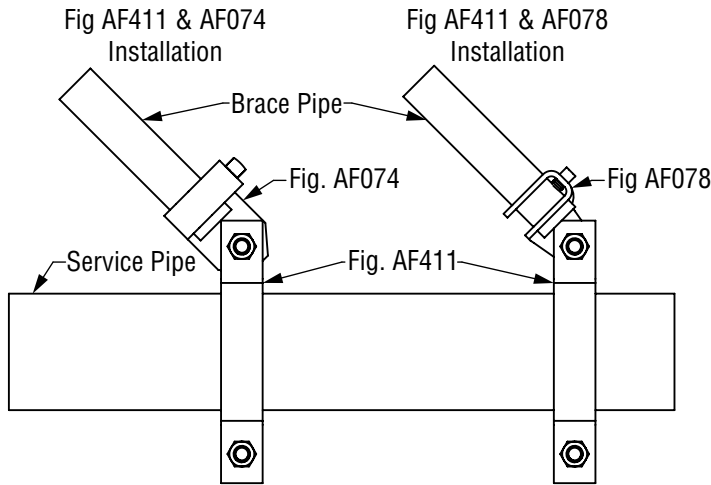
Notes: Anvil International® brand bracing components are designed to be compatible ONLY with other Anvil International® brand bracing components, resulting in a Listed seismic bracing assembly. Updated UL listing information may be viewed at www.ul.com and updated FM approval information may be viewed at www.approvalguide.com.

Disclaimer: Anvil International ("Anvil") does not provide any warranties and specifically disclaims any liability whatsoever with respect to Anvil bracing products and components that are used in combination with products, parts or systems not manufactured or sold by Anvil. In no event shall Anvil be liable for any incidental, direct, consequential, special or indirect damages or lost profits where non-Anvil bracing components have been, or are used.

SeisBrace® Seismic Fire Protection Design Tool may be accessed at www.seisbrace.com

Fig. AF411 (Formerly Afcon Fig. 411)
Fig. AF074 (Formerly Afcon Fig. 074)
Fig. AF078 (Formerly Afcon Fig. 078)

**Longitudinal Seismic Clamp
 Brace Attachment Fitting
 Brace Attachment Fitting**



**FIG. AF411 cULus
 MAX SEISMIC LONGITUDINAL LOADS:
 DIMENSIONS (IN) • LOADS (LBS)**

Service Pipe size	Brace Attachment Fitting	Brace Pipe Size	Max Seismic Brace Load	
			Sch. 10	Sch. 40
1	AF074	1 – 2	—	2015
	AF078	1 – 1¼	—	1000
1¼ – 4	AF074	1 – 2	2015	2015
	AF078	1 – 1¼	1000	1000
6 – 8	AF074	1 – 2	2015	2015

FIG. AF411 FM MAX SEISMIC LONGITUDINAL ASD LOADS*: DIMENSIONS (IN) • LOADS (LBS) • ANGLES (DEG)**

Service Pipe Size	Pipe Schedules	Brace Attachment Fitting	Brace Pipe Size	Max Seismic Brace Load at Brace Pipe Angle**			
				30-44	45-59	60-74	75-90
1 – 1½	Sch. 10 – Sch. 40	AF074	1 – 2	1070	420	510	570
		AF078	1 – 1¼	430	420	510	570
2	LW – Sch. 40	AF074	1 – 2	1410	1900	1730	1930
		AF078	1 – 1¼	430	620	760	840
2½ – 3	LW – Sch. 40	AF074	1 – 2	1000	860	1030	1150
		AF078	1 – 1¼	430	620	760	840
4	LW	AF074	1 – 2	1000	860	1030	1150
		AF078	1 – 1¼	430	620	760	840
	Sch. 10 – Sch. 40	AF074	1 – 2	1000	950	1150	1280
		AF078	1 – 1¼	430	620	760	840
6	LW – Sch. 40	AF074	1 – 2	1410	2000	2450	2740
		AF078	1 – 1¼	430	620	760	840
8	Sch. 10 – Sch. 40	AF074	1 – 2	1410	1250	1510	1690
		AF078	1 – 1¼	430	620	760	840

* Load rating for LW above refers to FM Approved Lightwall pipe, commonly referred to as Sch.7 and Flow Pipe. See FM Approval Guide for approved Lightwall pipe.

** Brace Pipe Angles are determined from vertical.

*** The allowable FM approved capacity of brace subassemblies are listed in Allowable Stress Design (ASD). For Load Resistance Factor Design (LRFD) capacities, the above values will need to be multiplied by 1.5.

Fig. AF771 (Formerly Anvil Fig. 771) Sway Brace Swivel Attachment

Size Range: Brace Pipe: 1" or 1¼" Sch. 40
Anchor Size: ½" through ¾"

Material: Ductile Iron with Carbon Steel Hardware

Finish: Plain or Electro-Galvanized per ASTM B633

Service: A seismic swivel attachment designed to connect brace pipe to the building structure or to a seismic structural attachment. The Sway Brace Swivel Attachment rigidly braces piping systems subjected to horizontal seismic loads. The Sway Brace Swivel Attachment may also be installed to rigidly brace piping systems subjected to vertical seismic loads. For vertical load capacities, reference OSHPD OPM-0351-13.

Approvals: cULus Listed (UL 203a) and FM Approved (FM 1950-10 & FM 1950-13). OSHPD Pre-Approved (OPM-0351-13 and OPA-2804-10). Complies with the hanging and bracing requirements listed in NFPA 13.



os hpd
OPM-0351-13



Features:

- Field adjustable design requires no threading of the brace pipe
- Shear off bolt provides a visual indication that the desired torque value has been achieved
- True concentric loading of the brace pipe

Installation Instructions:

- Insert anchor through the mounting hole and into the structure or seismic structural attachment.
- For connection to Fig. AF772, AF778, and AF779 seismic structural attachments, the bolt and nuts shall be installed wrench tight (typically finger tight plus ¼ to ½ turns).
- For connection to concrete, wood, timber, steel, and other structures, install fasteners per the fastener manufacturer's installation instructions.
- Insert Sch. 40 brace pipe into the brace socket until the brace pipe bottoms out.
- Torque shear off bolt until head shears off.
- Check the cross bolt and nut and ensure the nut is wrench tight.
- Fire Protection applications shall also be installed per the requirements of NFPA 13 and local codes.

Ordering: Specify brace pipe size, fastener size, figure number, finish and description.

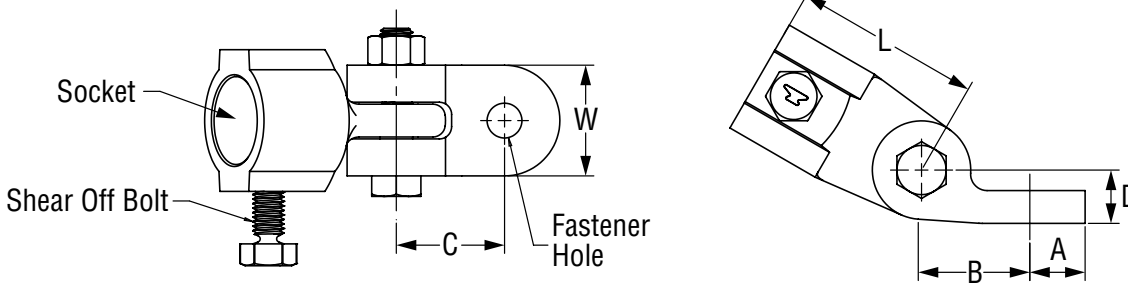


FIG. AF771: DIMENSIONS (IN) • WEIGHT (LBS)

Brace Pipe Size	Fastener Size	A	B	C	D	W	L	Socket Depth	Weight
1	½ - ¾	0.84	1.65	1.65	0.81	1 ¹¹ / ₁₆	2 ⁷ / ₈	1 ³ / ₈	1.95
1¼							3		2.28

Notes: Anvil International® brand bracing components are designed to be compatible ONLY with other Anvil International® brand bracing components, resulting in a Listed seismic bracing assembly. Updated UL listing information may be viewed at www.ul.com and updated FM approval information may be viewed at www.approvalguide.com.

Disclaimer: Anvil International ("Anvil") does not provide any warranties and specifically disclaims any liability whatsoever with respect to Anvil bracing products and components that are used in combination with products, parts or systems not manufactured or sold by Anvil. In no event shall Anvil be liable for any incidental, direct, consequential, special or indirect damages or lost profits where non-Anvil bracing components have been, or are used.

SeisBrace® Seismic Fire Protection Design Tool may be accessed at www.seisbrace.com

Fig. AF771 (Formerly Anvil Fig. 771) Sway Brace Swivel Fitting (cont.)

FIG. AF771 cULus MAX SEISMIC HORIZONTAL LOADS: DIMENSIONS (IN) • LOADS (LBS)			
Brace Pipe Size	Fastener Size	Max Seismic Brace Load	Max Service Pipe Size
1 - 1 ¹ / ₄	1/2	2765	8
	5/8		10
	3/4	3740	12

FIG. AF771 FM MAX SEISMIC HORIZONTAL ASD LOADS**: DIMENSIONS (IN) • LOADS (LBS)					
Brace Pipe Size	Fastener Size	Max Seismic Brace Load at Brace Pipe Angle*			
		30-44	45-59	60-74	75-90
1 - 1 ¹ / ₄	1/2	1820	2540	3110	3470
	5/8	1520	2150	2630	2930
	3/4				

* Brace Pipe Angles are determined from vertical.

**The allowable FM approved capacity of brace subassemblies are listed in Allowable Stress Design (ASD). For Load Resistance Factor Design (LRFD) capacities, the above values will need to be multiplied by 1.5.

FIG. AF771 HORIZONTAL PRYING FACTORS (Pr) PER NFPA: ANGLES (DEG)									
Brace Orientation*	A	B	C	D	E	F	G	H	I
Brace Angle**	30-44	45-59	60-90	30-44	45-59	60-90	30-44	45-59	60-90
Prying Factor (Pr)	4.171	2.000	0.965	1.966	2.385	2.965	1.929	1.364	1.114

* Brace Orientation per NFPA 13-2016 Figure 9.3.5.12.1.

** Brace Pipe Angles are determined from vertical.

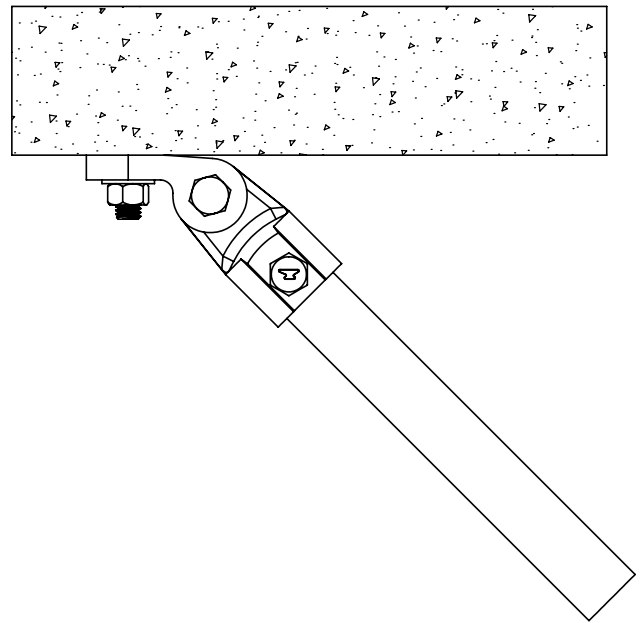


Fig. AF772 (Formerly Anvil Fig. 772) Adjustable Steel Beam Attachment

Size Range: Beam Widths: 4" through 15"
Flange Thickness: $\frac{3}{8}$ " through $1\frac{1}{4}$ "

Material: Carbon steel

Finish: Plain or Electro-Galvanized per ASTM B633

Service: Designed to rigidly brace piping systems subjected to horizontal seismic loads. May also be installed to brace piping systems subjected to vertical seismic loads. For vertical load capacities, reference OSHPD OPM-0351-13.

Approvals: cULus Listed (UL 203a) and FM Approved (FM 1950-10 & FM 1950-13). OSHPD Pre-Approved (OPM-0351-13 and OPA-2804-10). Complies with the hanging and bracing requirements listed in NFPA 13.

Features:

- Field adjustable to fit a wide range of beams.
- Centers the Fig. AF771 below the beam.

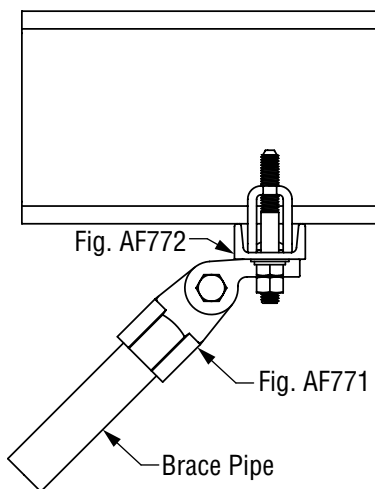
Installation Instructions:

- Move both c-clamps until they reach the outside of the slots.
- Place the adjustable steel beam attachment on the underside of the beam and adjust the c-clamps until they contact the outside edges of the beam flange. Hand tighten the c-clamp bolts.
- Torque each shear off set screw until the head shears off.
- Torque each c-clamp bolt to 55ft-lbs to secure the channel to the underside of the beam.
- Install the Fig. AF771 to the center mounting bolt. Installation angle determined by the brace angle of the AF771 and brace pipe.
- Fire Protection applications shall also be installed per the requirements of NFPA 13 and local codes.

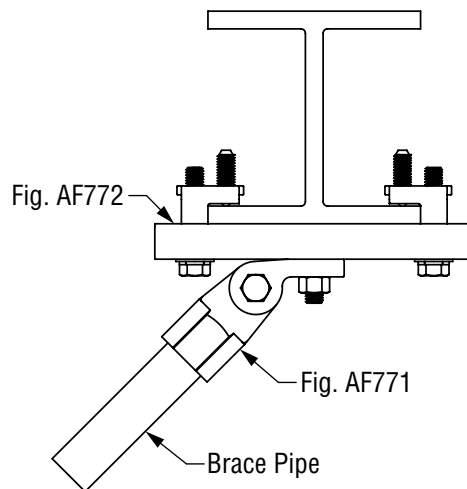
Ordering: Specify type, length, figure number, finish and description.



os hpd
OPM-0351-13



**Horizontal Steel Flange (I-Beam)
Seismic Load Parallel to Flange**



**Horizontal Steel Flange (I-Beam)
Seismic Load Perpendicular to Flange**

Notes: Anvil International® brand bracing components are designed to be compatible ONLY with other Anvil International® brand bracing components, resulting in a Listed seismic bracing assembly. Updated UL listing information may be viewed at www.ul.com and updated FM approval information may be viewed at www.approvalguide.com.

Disclaimer: Anvil International ("Anvil") does not provide any warranties and specifically disclaims any liability whatsoever with respect to Anvil bracing products and components that are used in combination with products, parts or systems not manufactured or sold by Anvil. In no event shall Anvil be liable for any incidental, direct, consequential, special or indirect damages or lost profits where non-Anvil bracing components have been, or are used.

SeisBrace® Seismic Fire Protection Design Tool may be accessed at www.seisbrace.com

Fig. AF772 (Formerly Anvil Fig. 772) Adjustable Steel Beam Attachment (cont.)

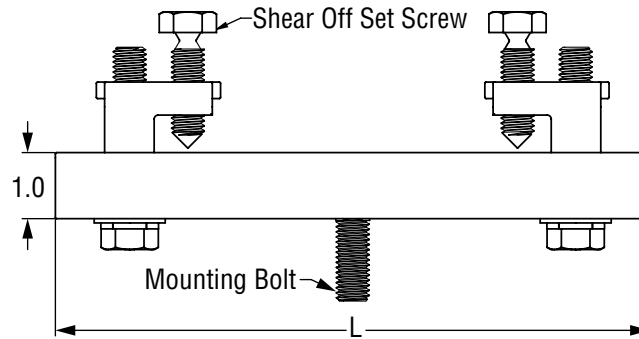


FIG. AF772 cULus MAX SEISMIC LATERAL LOADS*: DIMENSIONS (IN) • LOADS (LBS)**

Type	Length (L)	Beam Width	Flange Thickness	Seismic Load Orientation	Max Seismic Brace Load	Max Service Pipe Size
A	9	4 - 7	$1/2 - 3/4$	Parallel to Flange	1000	4
				Perpendicular to Flange	1600	6
	12	7 - 10		Parallel to Flange	1000	4
				Perpendicular to Flange	1600	6
	14	9 - 12		Parallel to Flange	1000	4
				Perpendicular to Flange	1600	6
B	9	4 - 7	$3/4 - 1 1/4$	Parallel to Flange	1000	4
				Perpendicular to Flange		
	12	7 - 10		Parallel to Flange		
				Perpendicular to Flange		
	14	9 - 12		Parallel to Flange		
				Perpendicular to Flange		
	17	12 - 14		Parallel to Flange		
				Perpendicular to Flange		

FIG. AF772 FM MAX SEISMIC LATERAL ASD LOADS*: DIMENSIONS (IN) • LOADS (LBS) • ANGLES (DEG)**

Type	Length (L)	Beam Width	Flange Thickness	Seismic Load Orientation	Max Seismic Brace Load at Brace Pipe Angle**			
					30-40	45-59	60-74	75-90
A	9	4 - 7	$3/8 - 3/4$	Parallel to Flange	470	480	580	640
				Perpendicular to Flange	540	710	880	980
	12	7 - 10		Parallel to Flange	470	480	580	640
				Perpendicular to Flange	540	710	880	980
	14	9 - 12		Parallel to Flange	470	480	580	640
				Perpendicular to Flange	540	710	880	980
B	9	4 - 7	$3/4 - 1 1/4$	Parallel to Flange	470	480	580	640
				Perpendicular to Flange	540	710	880	980
	12	7 - 10		Parallel to Flange	330	640	790	880
				Perpendicular to Flange	470	740	910	1010
	14	9 - 12		Parallel to Flange	330	640	790	880
				Perpendicular to Flange	470	740	910	1010
	17	12 - 14		Parallel to Flange	330	640	790	880
				Perpendicular to Flange	470	740	910	1010

* Load rating for LW above refers to FM Approved lightwall pipe, commonly referred to as Sch.7 and Flow Pipe. See FM Approval Guide for approved lightwall pipe.

** Brace Pipe Angles are determined from vertical.

*** The allowable FM approved capacity of brace subassemblies are listed in Allowable Stress Design (ASD). For Load Resistance Factor Design (LRFD) capacities, the above values will need to be multiplied by 1.5.

Fig. AF772 (Formerly Anvil Fig. 772) Adjustable Steel Beam Attachment (cont.)

FIG. AF772 I-BEAM SIZE CHART: DIMENSIONS (IN)							
Type	A				B		
Length (L)	9"	12"	14"	17"	12"	14"	17"
Beam Width	4"-7"	7"-10"	9"-12"	12"-15"	7"-10"	9"-12"	12"-15"
Beam Size	W4x13	W8x35	W10x49	W12x65	W8x67	W10x77	W12x96
	W5x16	W8x40	W10x54	W12x72	W21x93	W10x88	W12x106
	W6x16	W8x48	W10x60	W12x79	W24x94	W10x100	W12x120
	W6x20	W10x39	W10x68	W14x90		W10x112	W12x136
	W8x21	W10x45	W12x58	W14x99		W14x82	W14x109
	W8x24	W10x49	W12x65	W24x104		W16x89	W14x120
	W10x22	W12x40	W14x61			W16x100	W14x132
	W10x30	W12x45	W14x68			W18x97	W21x111
	W12x26	W12x50	W16x67			W18x106	W21x122
	W12x35	W12x53	W16x77			W18x119	W21x132
	W14x30	W12x58	W18x76			W24x94	W21x147
	W14x38	W14x43	W18x86			W27x94	W24x117
	W16x26	W14x48	W24x84			W27x114	W24x131
	W16x40	W14x53	W27x84				W24x146
	W18x40	W14x61	W27x102				W24x162
	W18x46	W14x68					W27x146
	W21x50	W16x45					W27x161
	W21x57	W16x50					W27x178
		W16x57					
		W18x50					
		W18x55					
		W18x60					
		W18x65					
		W21x62					
		W21x68					
		W21x73					
		W24x68					
		W24x76					
	W27x84						
	W27x94						

Fig. AF775 (Formerly Anvil Fig. 775) Longitudinal & Lateral Seismic Clamp

Size Range: Service Pipe: 2½" through 8" Carbon Steel

Brace Pipe: 1" or 1¼" Sch. 40 IPS

Material: Carbon Steel Clamp and Ductile Iron Brace Socket

Finish: Plain or Galvanized (Brace Socket Electro-Galvanized per ASTM B633 and Clamps Hot-Dip Galvanized per ASTM A153)

Service: Designed to rigidly brace piping systems subjected to longitudinal and lateral seismic loads. May also be installed to brace piping systems subjected to vertical seismic loads. For vertical load capacities, reference OSHPD OPM-0351-13.

Approvals: cULus Listed (UL 203a) and FM Approved (FM 1950-10 & FM 1950-13). OSHPD Pre-Approved (OPM-0351-13 and OPA-2804-10). Complies with the hanging and bracing requirements listed in NFPA 13.

Features: For use in either longitudinal or lateral seismic brace applications.

Installation Instructions:

- Position the clamp at the desired location on the service pipe and hand tighten the hex bolts. Ensure the spacer and the brace socket attachment are positioned on the bolt between the pipe clamp ears.
- Insert brace pipe into the socket until the brace pipe bottoms out.
- Torque shear off bolt until the bolt head breaks off.
- Ensure the brace pipe is set to the desired installation brace angle.
- Tighten the clamp bolts and nuts equally and alternately until metal to metal contact is achieved with the proper torque value.
- Fire Protection applications shall also be installed per the requirements of NFPA 13 and local codes.

Ordering: Specify service pipe size, brace pipe size, figure number, finish and description.



os hpd
OPM-0351-13

cUL US
LISTED

FM
APPROVED

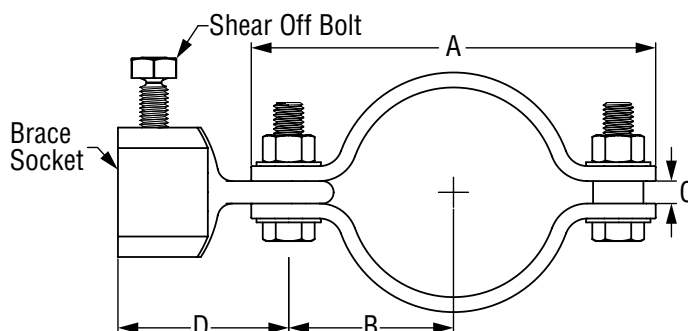


FIG. AF775: DIMENSIONS (IN) • TORQUE (FT-LBS) • WEIGHT (LBS)

Service Pipe Size	A	B	C	D 1" Brace	D 1¼" Brace	Socket Depth	1" Brace Pipe Weight	1¼" Brace Pipe Weight	Installation Torque
2½	6	2¾	¾	2⅞	3	1⅜	2.19	2.54	80
3	6¾	2¾					2.36	2.71	
4	8½	3½					2.62	2.97	
5	9½	4	7/8	2⅞	3	1⅜	3.74	4.09	100
6	11½	4⅞					6.32	6.67	
8	13¾	6					7.42	7.77	140

Notes: Anvil International® brand bracing components are designed to be compatible ONLY with other Anvil International® brand bracing components, resulting in a Listed seismic bracing assembly. Updated UL listing information may be viewed at www.ul.com and updated FM approval information may be viewed at www.approvalguide.com.

Disclaimer: Anvil International ("Anvil") does not provide any warranties and specifically disclaims any liability whatsoever with respect to Anvil bracing products and components that are used in combination with products, parts or systems not manufactured or sold by Anvil. In no event shall Anvil be liable for any incidental, direct, consequential, special or indirect damages or lost profits where non-Anvil bracing components have been, or are used.

SeisBrace® Seismic Fire Protection Design Tool may be accessed at www.seisbrace.com

Fig. AF775 (Formerly Anvil Fig. 775)

Longitudinal & Lateral Seismic Clamp (cont.)

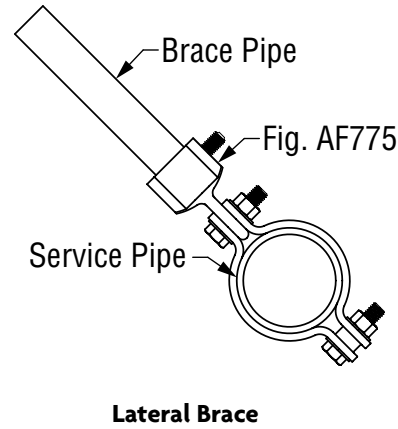
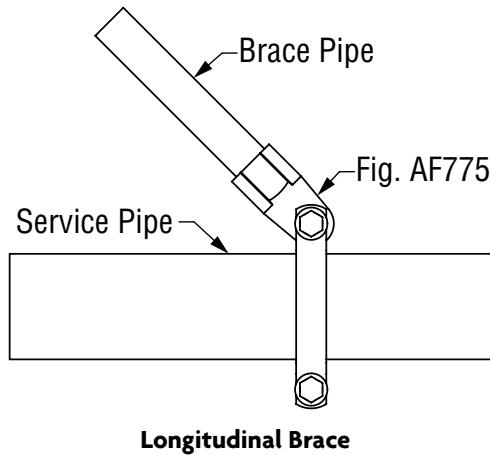


FIG. AF775 FM MAX SEISMIC LATERAL ASD LOADS*: DIMENSIONS (IN) • LOADS (LBS) • ANGLES (DEG)**

Service Pipe Size	Pipe Schedules	Brace Pipe Size	Max Seismic Brace Load at Brace Pipe Angle**			
			30-44	45-59	60-74	75-90
2½-3	LW*	1 - 1¼	1570	2220	1690	1870
4			1520	1060	910	1000
5			1570	2220	1690	1870
6			1570	2220	910	1040
2½-3	Sch. 10 - Sch. 40		1370	2150	2390	2640
4			1280	1810	1680	1870
5			1370	2150	2390	2640
6			1520	2150	2570	2830
8		1570	2220	2720	3140	

* Load rating for LW above refers to FM Approved Lightwall pipe, commonly referred to as Sch.7 and Flow Pipe. See FM Approval Guide for approved Lightwall pipe.

** Brace Pipe Angles are determined from vertical.

*** The allowable FM approved capacity of brace subassemblies are listed in Allowable Stress Design (ASD). For Load Resistance Factor Design (LRFD) capacities, the above values will need to be multiplied by 1.5.

FIG. AF775 cULus MAX SEISMIC LATERAL LOADS: DIMENSIONS (IN) • LOADS (LBS)

Service Pipe Size	Brace Pipe Size	Max Seismic Brace Load	
		Sch. 10	Sch. 40
2½-4	1 - 1¼	1000	1000
5-6		1600	1600
8		2015	2015

Fig. AF776 (Formerly Anvil Fig. 776)

OSHPD Lateral Brace Clamp

Size Range: Service Pipe: 2½" through 8" Carbon Steel
Brace Pipe: 1" or 1¼" Sch. 40

Material: Carbon steel

Finish: Plain or Electro-Galvanized per ASTM B633

Service: Designed to rigidly brace piping systems subjected to lateral seismic loads. May also be installed to brace piping systems subjected to vertical seismic loads. For vertical load capacities, reference OSHPD OPM-0351-13.

Approvals: FM Approved (FM 1950-10 & FM 1950-13). OSHPD Pre-Approved (OPM-0351-13 and OPA-2804-10). Complies with the hanging and bracing requirements listed in NFPA 13.

Features: Visual indication of proper assembly when the head of the set screw bottoms out on the hoop ends.

Installation Instructions:

- Place the OSHPD Lateral Brace Clamp over the service pipe to be braced and slide the Sch. 40 brace pipe through the hoop ends. The end of the brace pipe must extend at least 1" past the hoop ends.
- Note: The brace pipe may be installed above or below the service pipe.
- Ensure brace pipe is set to the desired installation brace angle.
- Torque the set screws alternately and equally until the head of the set screw bottoms out on the hoop ends.
- For riser/4-way brace installations, two OSHPD Lateral Brace Clamps must be installed within 6" of each other.
- Fire Protection applications shall also be installed per the requirements of NFPA 13 and local codes.

Ordering: Specify service pipe size, brace pipe size, figure number, finish and description.

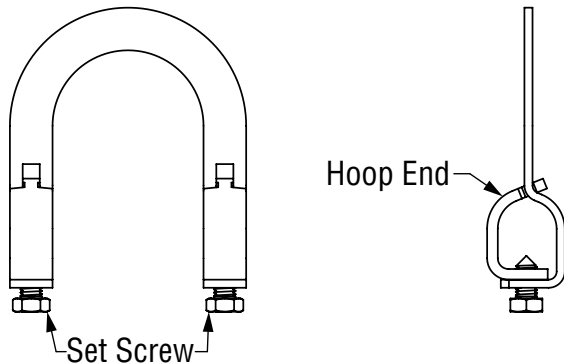


FIG. AF776: DIMENSIONS (IN) • WEIGHT (LBS)		
Service Pipe Size	Weight	
	1" Brace Pipe	1¼" Brace Pipe
2½	1.26	1.50
3	1.44	1.58
4	1.55	1.68
5	1.66	1.87
6	1.74	1.95
8	1.98	2.29

Notes: Anvil International® brand bracing components are designed to be compatible ONLY with other Anvil International® brand bracing components, resulting in a Listed seismic bracing assembly. Updated FM approval information may be viewed at www.approvalguide.com.

Disclaimer: Anvil International ("Anvil") does not provide any warranties and specifically disclaims any liability whatsoever with respect to Anvil bracing products and components that are used in combination with products, parts or systems not manufactured or sold by Anvil. In no event shall Anvil be liable for any incidental, direct, consequential, special or indirect damages or lost profits where non-Anvil bracing components have been, or are used.

SeisBrace® Seismic Fire Protection Design Tool may be accessed at www.seisbrace.com

Fig. AF776 (Formerly Anvil Fig. 776) OSHPD Lateral Brace Clamp (cont.)

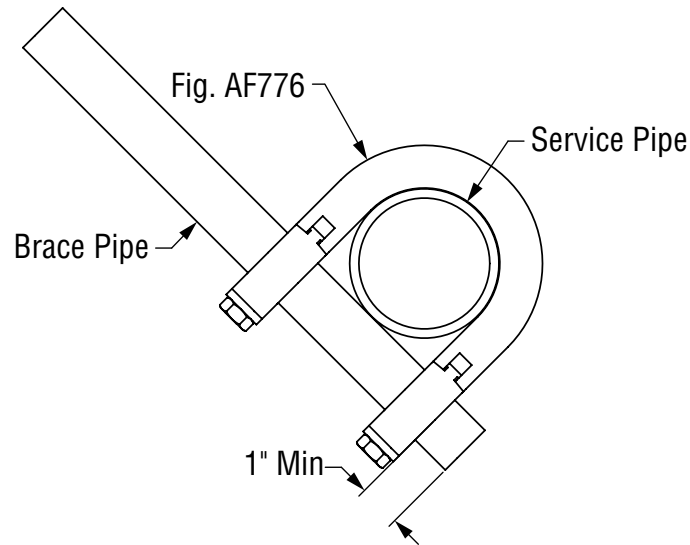


FIG. AF776 FM MAX SEISMIC LATERAL ASD LOADS*: DIMENSIONS (IN) • LOADS (LBS) • ANGLES (DEG)**

Service Pipe Size	Brace Pipe Size	Pipe Schedules	Max Seismic Brace Load at Brace Pipe Angle**			
			30-44	45-59	60-74	75-90
2½	1 – 1¼	LW*	600	850	1040	1160
		Sch. 10 – Sch. 40	620	880	1080	1200
3		LW*	520	740	910	1010
		Sch. 10 – Sch. 40	620	880	1080	1200
4		LW*	520	740	910	1010
		Sch. 10 – Sch. 40	690	980	1200	1340
5		LW*	520	740	910	1010
		Sch. 10 – Sch. 40	670	940	1160	1290
6	LW*	560	790	970	1080	
	Sch. 10 – Sch. 40	670	940	1160	1290	
8	Sch. 10 – Sch. 40	540	770	940	1050	

* Load rating for LW above refers to FM Approved Lightwall pipe, commonly referred to as Sch.7 and Flow Pipe. See FM Approval Guide for approved Lightwall pipe.

** Brace Pipe Angles are determined from vertical.

*** The allowable FM approved capacity of brace subassemblies are listed in Allowable Stress Design (ASD). For Load Resistance Factor Design (LRFD) capacities, the above values will need to be multiplied by 1.5.

Fig. AF778 (Formerly Anvil Fig. 778)

Universal Structural Brace Attachment

Size Range: Flange Thickness: Up to $\frac{3}{4}$ " thick

Material: Ductile Iron with Carbon Steel Hardware

Finish: Plain or Zinc Plated

Service: A seismic structural attachment designed to attach to steel I-beams, flanges, and joists. The Universal Structural Brace Attachment rigidly braces piping systems subjected to horizontal seismic loads. The Universal Structural Brace Attachment may also be installed to rigidly brace piping systems subjected to vertical seismic loads. For vertical load capacities, reference OSHPD OPM-0351-13.

Approvals: cULus Listed (UL 203a) and FM Approved (FM 1950-10 & FM 1950-13). OSHPD Pre-Approved (OPM-0351-13 and OPA-2804-10). Complies with the hanging and bracing requirements listed in NFPA 13.

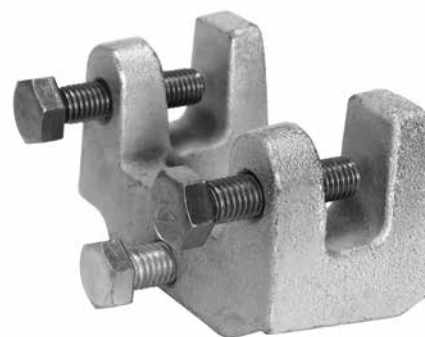
Features:

- Shear off bolt provides a visual indication that the desired torque value has been achieved
- May be installed anywhere a Fig 92 standard throat beam clamp may be installed.

Installation Instructions:

- Place Universal Structural Brace Attachment on a horizontal or vertical steel flange.
- Torque shear off bolts evenly and equally until the head shears off.
- Install the $\frac{1}{2}$ " mounting bolt through the $\frac{1}{2}$ " AF771 mounting hole. The mounting bolt shall be installed wrench tight (typically finger tight plus $\frac{1}{4}$ to $\frac{1}{2}$ turns).
- Installation angle determined by the brace angle of the AF771 and brace pipe.
- Fire Protection applications shall also be installed per the requirements of NFPA 13 and local codes.

Ordering: Specify figure number, finish, and description.



osHPD
OPM-0351-13

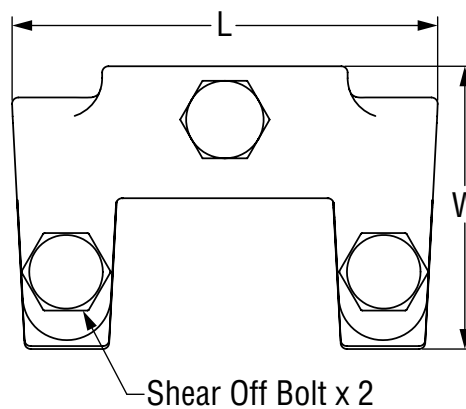
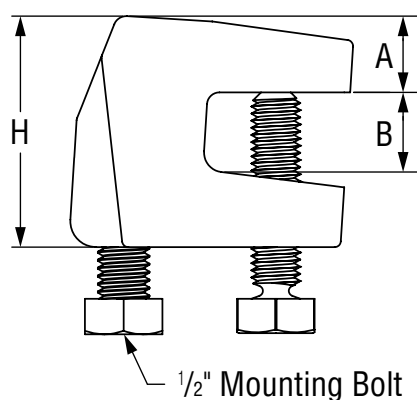


FIG. AF778: DIMENSIONS (IN) • WEIGHT (LBS)

Mounting Bolt	L	W	H	A	B	Weight
$\frac{1}{2}$	$4\frac{1}{8}$	$2\frac{3}{4}$	$2\frac{1}{4}$	$\frac{3}{4}$	$\frac{3}{4}$	2.26

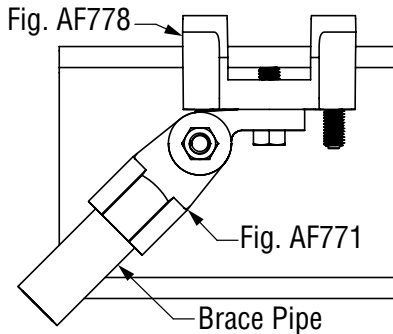
Notes: Anvil International® brand bracing components are designed to be compatible ONLY with other Anvil International® brand bracing components, resulting in a Listed seismic bracing assembly. Updated UL listing information may be viewed at www.ul.com and updated FM approval information may be viewed at www.approvalguide.com.

Disclaimer: Anvil International ("Anvil") does not provide any warranties and specifically disclaims any liability whatsoever with respect to Anvil bracing products and components that are used in combination with products, parts or systems not manufactured or sold by Anvil. In no event shall Anvil be liable for any incidental, direct, consequential, special or indirect damages or lost profits where non-Anvil bracing components have been, or are used.

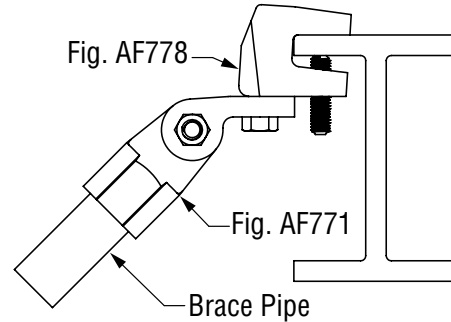
SeisBrace® Seismic Fire Protection Design Tool may be accessed at www.seisbrace.com

Fig. AF778 (Formerly Anvil Fig. 778)

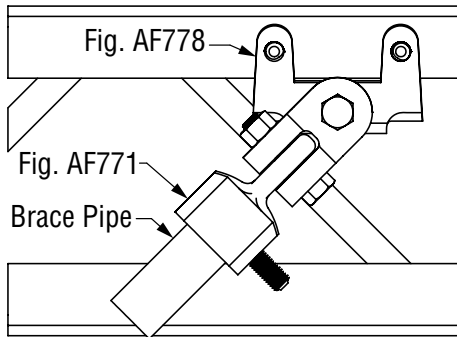
Universal Structural Brace Attachment (cont.)



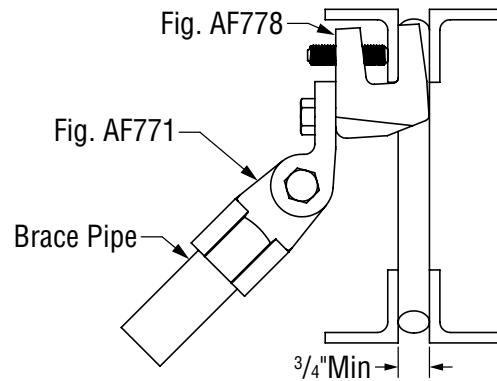
Horizontal Steel Flange
Seismic Load Parallel to Flange



Horizontal Steel Flange
Seismic Load Perpendicular to Flange



Vertical Steel Flange
Seismic Load Parallel to Flange



Vertical Steel Flange
Seismic Load Perpendicular to Flange

FIG. AF778 cULus MAX SEISMIC HORIZONTAL LOADS: DIMENSIONS (IN) • LOADS (LBS)

Structure	Seismic Load Orientation	Min Flange Thickness	Max Seismic Brace Load	Max Service Pipe Size
Horizontal Steel Flange and Vertical Steel Flange	Parallel to Flange	$\frac{3}{16}$	1000	4
	Perpendicular to Flange			
	Parallel to Flange	$\frac{1}{4}$	1600	6
	Perpendicular to Flange			
	Parallel to Flange	$\frac{1}{2}$	2015	8
	Perpendicular to Flange			

FIG. AF778 FM MAX SEISMIC HORIZONTAL ASD LOADS: DIMENSIONS (IN) • LOADS (LBS) • ANGLES (DEG)**

Structure	Seismic Load Orientation	Min Flange Thickness	Max Seismic Brace Load at Brace Pipe Angle*			
			30-44	45-59	60-74	75-90
Horizontal Steel Flange	Parallel to Flange	$\frac{1}{8}$	870	1440	1230	1360
	Perpendicular to Flange		1030	2260	2490	2750
Vertical Steel Flange	Parallel to Flange		1280	1840	2210	2470
	Perpendicular to Flange		1570	1490	1040	1150

* Brace Pipe Angles are determined from vertical.

**The allowable FM approved capacity of brace subassemblies are listed in Allowable Stress Design (ASD). For Load Resistance Factor Design (LRFD) capacities, the above values will need to be multiplied by 1.5.

Fig. AF779 (Formerly Anvil Fig. 779 & Afcon Fig. 080) Multi-Connector Adapter

Size Range: Service Line: Up to 12"
 Fasteners: 1/2" through 3/4"
 Mounting Hole: 3/8" and 1/2"

Material: Carbon steel

Finish: Plain or Electro-Galvanized per ASTM B633

Service: Used to rigidly brace and restrain piping systems subjected to seismic loads. The multi-connector adapter distributes the load into the structure through two fasteners, maximizing the load capacity of the brace or restraint. For rigid brace assemblies, the multi-connector adapter may be installed in combination with Anvil's Fig. AF771, AF075, AF076, and AF077. For restraint assemblies, the multi-connector adapter may be installed in combination with Anvil's Fig. AF777.

Approvals: cULus Listed (UL 203a). Complies with the hanging and bracing requirements listed in NFPA 13.

Installation Instructions:

- Install two fasteners through the fastener holes (H2). Install per the fastener manufacturer's installation instructions.
- Install seismic brace or restraint through mounting hole (H1).
- Fire Protection applications shall also be installed per the requirements of NFPA 13 and local codes.

Ordering: Specify size, figure number, finish, and description.

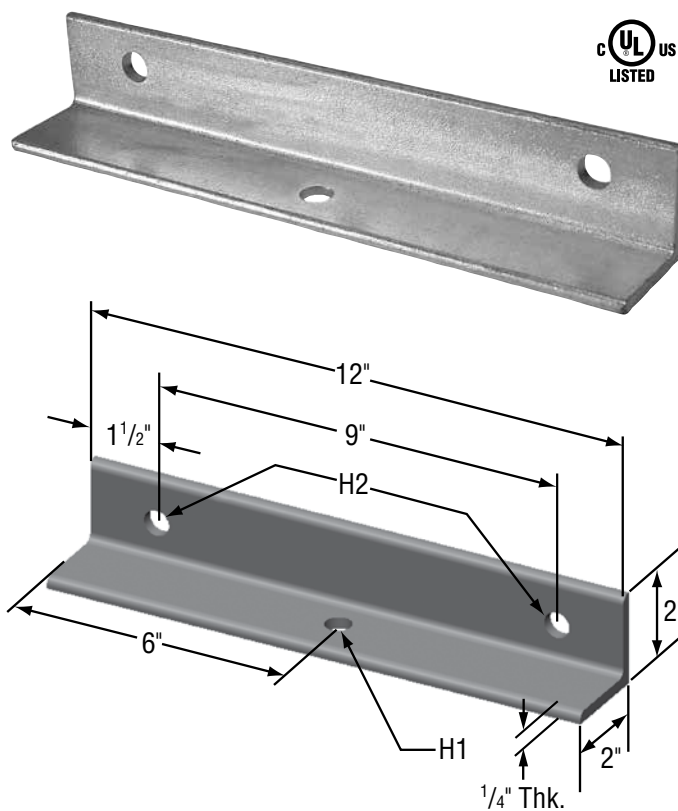


FIG. AF779 UL MAX LOAD: DIMENSIONS (IN) • LOADS (LBS)				
Size	UL Max Seismic Brace Load	UL Max Service Pipe Size Rigid Brace	UL Max Seismic Restraint Load	UL Max Service Pipe Size Restraint
1	3740	12	1000	2
2				
3				
4				

FIG. AF779: DIMENSIONS (IN) • WEIGHT (LBS)					
Size	Mounting Bolt Diameter	Fastener (2X) Diameter	H1 Diameter	H2 Diameter	Weight
1	3/8	1/2	7/16	9/16	3.06
2					3.06
3	1/2	5/8	9/16	11/16	3.04
4		3/4			13/16

Notes: Anvil International® brand bracing components are designed to be compatible ONLY with other Anvil International® brand bracing components, resulting in a Listed seismic bracing assembly. Updated UL listing information may be viewed at www.ul.com

Disclaimer: Anvil International ("Anvil") does not provide any warranties and specifically disclaims any liability whatsoever with respect to Anvil bracing products and components that are used in combination with products, parts or systems not manufactured or sold by Anvil. In no event shall Anvil be liable for any incidental, direct, consequential, special or indirect damages or lost profits where non-Anvil bracing components have been, or are used.

Fig. AF090 (Formerly Anvil Fig. 89X & Afcon Fig. 160)

Restraining Strap

Size Range: $\frac{3}{8}$ " through $\frac{3}{4}$ " Threaded Rod

Material: Carbon Steel

Finish: Pre-Galvanized per ASTM A653

Service: Secures beam clamps to the beam where building movement is expected due to seismic activity. NFPA 13 requires the use of restraining straps in seismic areas. For use with Anvil Fig. 86, 88, 92, 93, 94, and 95 beam clamps.

Approvals: cULus Listed. Complies with the hanging and bracing requirements listed in NFPA 13.

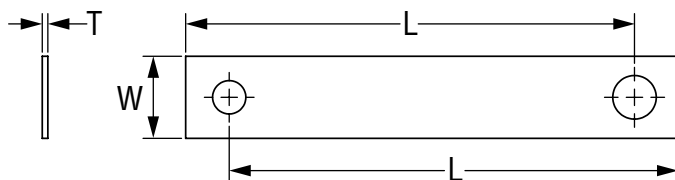
Features:

- Dual hole design allows for one part to be installed with $\frac{3}{8}$ " and $\frac{1}{2}$ " rod.
- Unique hook design allows for easy installation on existing piping systems.

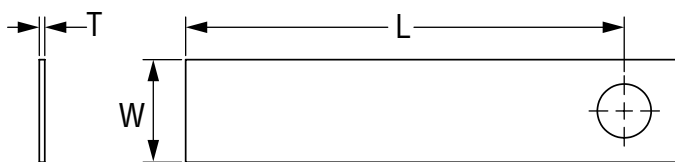
Installation Instructions:

- Install beam clamp per manufacture's installation instructions.
- Place restraining strap over exposed rod.
- Pull tight and wrap the opposite end of the restraining strap around the beam flange. At least 1" must wrap around the beam. For best performance, ensure the retrofit restraining strap is tight against the beam.
- For rod which extends less than 1" past the restraining strap, a nut must be installed to secure the restraining strap to the beam clamp and rod.
- Fire Protection applications shall also be installed per the requirements of NFPA 13 and local codes.

Ordering: Specify size, length, figure number and description.



$\frac{3}{8}$ " and $\frac{1}{2}$ " Combo Restraining Strap



$\frac{5}{8}$ " and $\frac{3}{4}$ " Restraining Strap

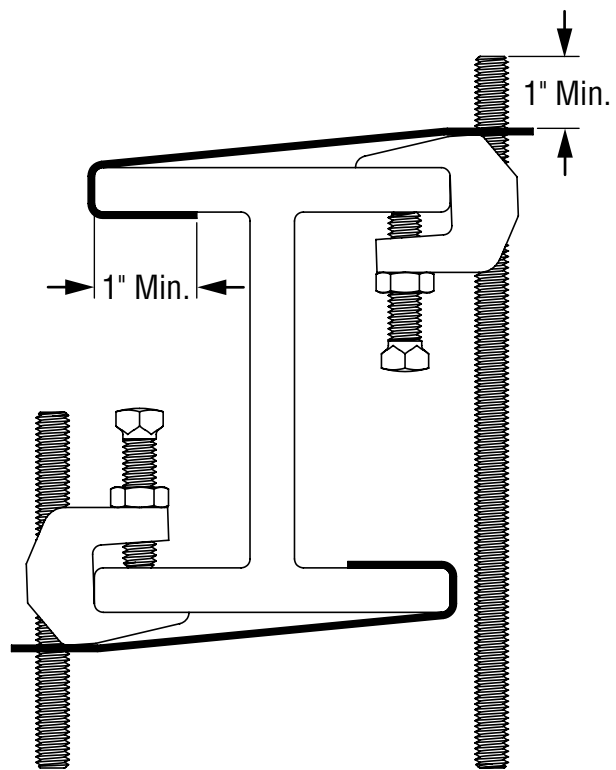


FIG. AF090: DIMENSIONS (IN)

Rod Size	L Length	W Width	T Thickness
$\frac{3}{8}$ & $\frac{1}{2}$	6, 8, 10, 12	1	15 ga.
$\frac{5}{8}$		$1\frac{1}{4}$	14 ga.
$\frac{3}{4}$			

Notes: Anvil International® brand bracing components are designed to be compatible ONLY with other Anvil International® brand bracing components, resulting in a Listed seismic bracing assembly. Updated UL listing information may be viewed at www.ul.com

Disclaimer: Anvil International ("Anvil") does not provide any warranties and specifically disclaims any liability whatsoever with respect to Anvil bracing products and components that are used in combination with products, parts or systems not manufactured or sold by Anvil. In no event shall Anvil be liable for any incidental, direct, consequential, special or indirect damages or lost profits where non-Anvil bracing components have been, or are used.

Fig. AF090R (Formerly Afcon Fig. 162)

Retrofit Restraining Strap

Size Range: 3/8" and 1/2" Threaded Rod

Material: Carbon Steel

Finish: Pre-Galvanized per ASTM A653

Service: Secures beam clamps to the beam where building movement is expected due to seismic activity. NFPA 13 requires the use of restraining straps in seismic areas. For use with Anvil Fig. 86, 88, 92, 93, and 95 beam clamps.

Approvals: cULus Listed. Complies with the hanging and bracing requirements listed in NFPA 13.

Features:

- Universal hook allows for installation on 3/8" and 1/2" rod.
- Unique hook design allows for easy installation on existing piping systems.

Installation Instructions:

- Install beam clamp per manufacturer's installation instructions.
- Hook the end of the retrofit restraining strap around the rod or beam clamp set screw.
- Pull tight and wrap the opposite end of the retrofit restraining strap around the beam flange. At least 1" must wrap around the beam. For best performance, ensure the retrofit restraining strap is tight against the beam.
- For rod which extends less than 1" past the retrofit restraining strap, a nut must be installed to secure the retrofit restraining strap to the beam clamp and rod.
- Fire Protection applications shall also be installed per the requirements of NFPA 13 and local codes.

Patent: No. 5,897,088

Ordering: Specify size, length, figure number and description.

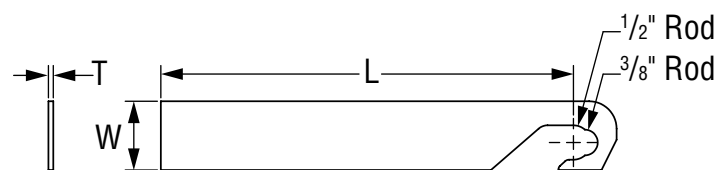
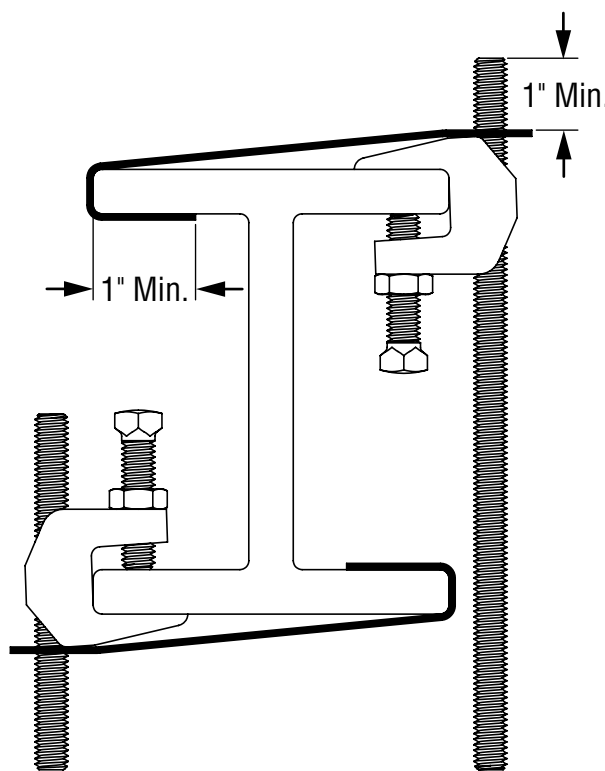


FIG. AF090R: DIMENSIONS (IN)		
L Length	W Width	T Thickness
6	1	15 ga.
8		
10		
12		



Notes: Anvil International® brand bracing components are designed to be compatible ONLY with other Anvil International® brand bracing components, resulting in a Listed seismic bracing assembly. Updated UL listing information may be viewed at www.ul.com

Disclaimer: Anvil International ("Anvil") does not provide any warranties and specifically disclaims any liability whatsoever with respect to Anvil bracing products and components that are used in combination with products, parts or systems not manufactured or sold by Anvil. In no event shall Anvil be liable for any incidental, direct, consequential, special or indirect damages or lost profits where non-Anvil bracing components have been, or are used.

Fig. AF310 (Formerly Afcon Fig. 310)

Surge Restrainer

Size Range: 1" thru 2" Figure 69, Swivel Ring Hanger

Material: Carbon steel

Finish: Pre-Galvanized per ASTM A653

Restraint Service: Prevents vertical movement of horizontal sprinkler piping from thrust loads due to sprinkler activation. The surge restrainer is intended to be installed with Anvil's Figure 69 Swivel Ring Hanger.

Restraint Service: May be installed as part of a branch line seismic restraint assembly per the requirements of NFPA 13. The surge restrainer is intended to be installed with Anvil's Figure 69 Swivel Ring Hanger.

Approvals: cULus Listed (UL 203 and UL 203a). Complies with the hanging and restraint requirements listed in NFPA 13.

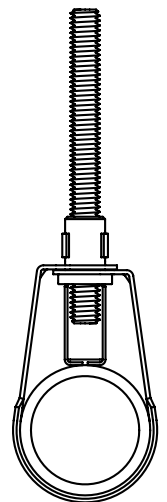
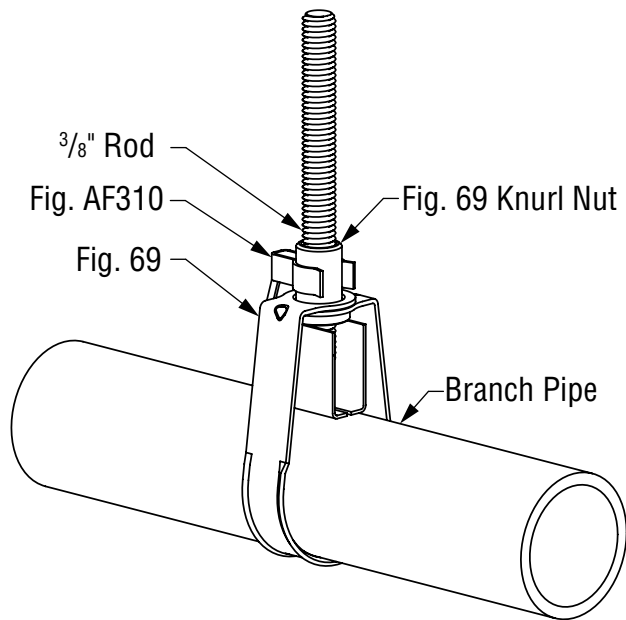
Features:

- One universal size accommodates Fig. 69 sizes 1" through 2".
- Simple design allows for quick installation on existing sprinkler systems.

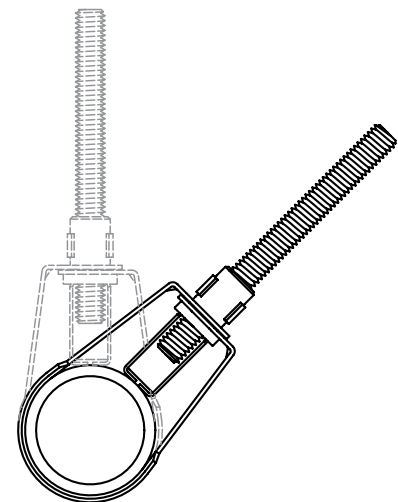
Installation Instructions:

- Snap surge restrainer onto the Fig. 69 knurl nut.
- The gap between the surge restrainer and service pipe shall not exceed 1/8".
- Fire Protection applications shall also be installed per the requirements of NFPA 13.

Ordering: Specify figure number and description.



Surge Restraint Assembly



Seismic Restraint Assembly

FIG. AF310: DIMENSIONS (IN) • LOADS (LBS) • WEIGHT (LBS)			
Service Pipe Size	Rod Size	UL Max Seismic Restraint Load (UL 203a)	Approx. Weight/100
1 thru 2	3/8	300	4

Notes: Anvil International® brand bracing components are designed to be compatible ONLY with other Anvil International® brand bracing components, resulting in a Listed seismic bracing assembly. Updated UL listing information may be viewed at www.ul.com

Disclaimer: Anvil International ("Anvil") does not provide any warranties and specifically disclaims any liability whatsoever with respect to Anvil bracing products and components that are used in combination with products, parts or systems not manufactured or sold by Anvil. In no event shall Anvil be liable for any incidental, direct, consequential, special or indirect damages or lost profits where non-Anvil bracing components have been, or are used.

Fig. AF773 (Formerly Anvil Fig. 773)

Surge Restrainer

Size Range: 3/4" thru 2" Figure 69, Swivel Ring Hanger

Material: Carbon steel

Finish: Pre-Galvanized per ASTM A653

Restrainer Service: Prevents vertical movement of horizontal sprinkler piping from thrust loads due to sprinkler activation. The surge restrainer is intended to be installed with Anvil's Figure 69 Swivel Ring Hanger.

Restraint Service: May be installed as part of a branch line seismic restraint assembly per the requirements of NFPA 13. The surge restrainer is intended to be installed with Anvil's Figure 69 Swivel Ring Hanger.

Approvals: cULus Listed (UL 203 and UL 203a). Complies with the hanging and restraint requirements listed in NFPA 13.

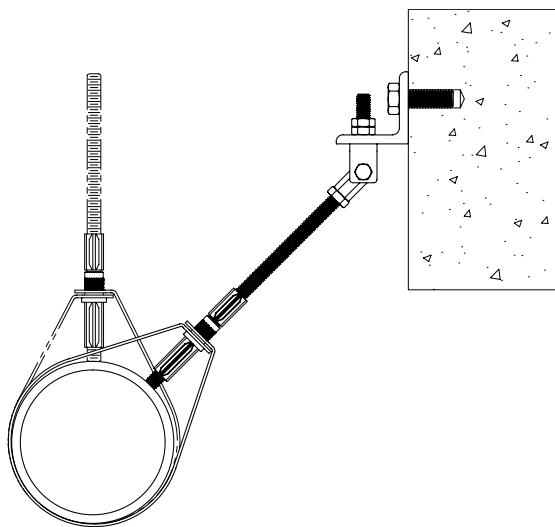
Features:

- One universal size accommodates Figure 69 sizes 3/4" through 2".
- Simple design allows for quick installation on existing sprinkler systems.

Installation Instructions:

- Install hanger rod or restraint rod a minimum of 1/2" beyond the bottom of the Figure 69 knurl nut.
- Snap surge restrainer onto the threaded rod above and below the knurl nut.
- The gap between the surge restrainer and service pipe shall not exceed 1/8".
- Fire Protection applications shall also be installed per the requirements of NFPA 13.

Ordering: Specify figure number and description.



Branch Line Restraint Assembly

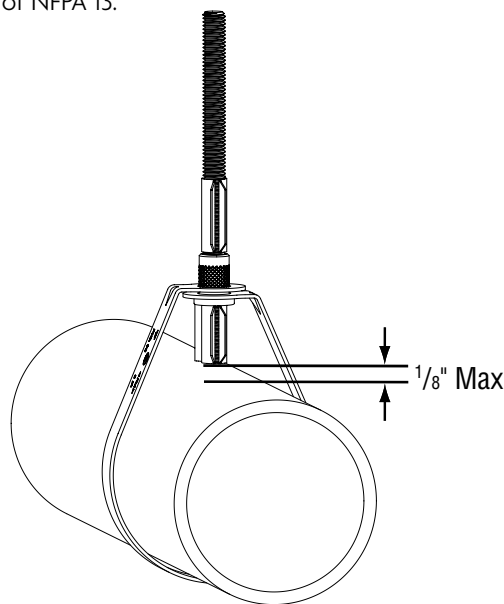


FIG. AF773: DIMENSIONS (IN) • LOADS (LBS) • WEIGHT (LBS)			
Service Pipe Size	Rod Size	UL Max Seismic Restraint Load (UL 203a)	Approx. Weight/100
3/4 thru 2	3/8	300	4

Notes: Anvil International® brand bracing components are designed to be compatible ONLY with other Anvil International® brand bracing components, resulting in a Listed seismic bracing assembly. Updated UL listing information may be viewed at www.ul.com

Disclaimer: Anvil International ("Anvil") does not provide any warranties and specifically disclaims any liability whatsoever with respect to Anvil bracing products and components that are used in combination with products, parts or systems not manufactured or sold by Anvil. In no event shall Anvil be liable for any incidental, direct, consequential, special or indirect damages or lost profits where non-Anvil bracing components have been, or are used.

Fig. AF777 (Formerly Anvil Fig. 777 & Afcon Fig. 615)

Swivel Attachment

Size Range: 3/8" through 1/2" rod

Material: Carbon Steel

Finish: Electro-Galvanized per ASTM B633

Hanger Service: Swivel hanger designed to support horizontal piping from angled structures. Listed for installation at angles between 0 and 90 degrees.

Restraint Service: May be installed as a branch line restraint per the requirements of NFPA 13. The AF777 may be installed directly to the structure or to the Fig. AF779.

Approvals: cULus Listed (UL 203 and UL 203a – 3/8" only). Complies with the hanging and restraint requirements listed in NFPA 13.

Installation:

- Install mounting bolt into structure or structural attachment and tighten hex nut until the yoke (U-Shaped Bracket) is tight against the structure or attachment.
- Thread the hanger rod or restraint rod into the hex union until it bottoms. Back rod off a maximum of one turn to allow the hex union to swivel freely.
- Adjust angle as necessary.
- If the AF777 is exposed to vibration from the piping system or the structure, jam nuts may be installed on the mounting bolt and the threaded rod.
- Fire Protection applications shall also be installed per NFPA 13 requirements.

Features: Full 90 degree rotation allows for installation at any angle.

Ordering: Specify figure number, finish, size, and description.

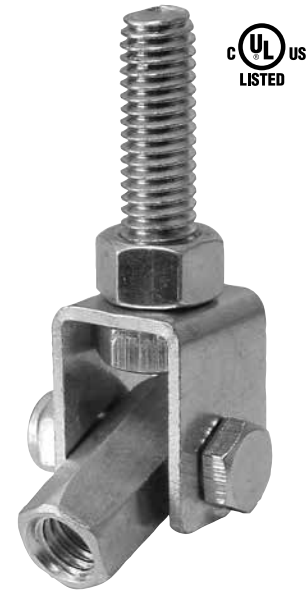
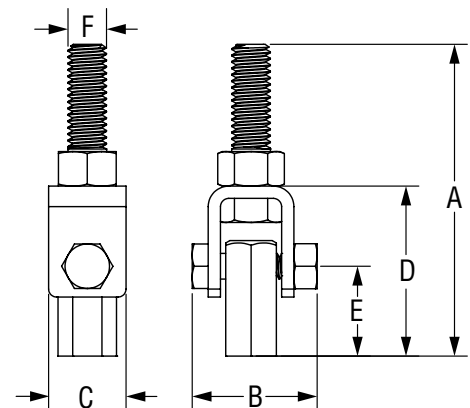


FIG. AF777: DIMENSIONS (IN)						
Rod Size	A	B	C	D	E	F
3/8	3	1 3/8	3/4	1 5/8	7/8	3/8
1/2	3 5/8	1 1/2	1 1/16	1 13/16	7/8	1/2

FIG. AF777: DIMENSIONS (IN) • LOADS (LBS)			
Rod Size	UL Max Hanger Load (UL 203)	UL Max Seismic Restraint Load (UL 203a)	Max Hanger Load
3/8	Up to 4" Pipe	1,000	250
1/2	Up to 8" Pipe	n/a	n/a



Notes: Anvil International® brand bracing components are designed to be compatible ONLY with other Anvil International® brand bracing components, resulting in a Listed seismic bracing assembly. Updated UL listing information may be viewed at www.ul.com

Disclaimer: Anvil International ("Anvil") does not provide any warranties and specifically disclaims any liability whatsoever with respect to Anvil bracing products and components that are used in combination with products, parts or systems not manufactured or sold by Anvil. In no event shall Anvil be liable for any incidental, direct, consequential, special or indirect damages or lost profits where non-Anvil bracing components have been, or are used.

Pipe Hanger Specifications

1. SCOPE

This specification shall apply for the design and fabrication of all hangers, supports, anchors, and guides. Where piping design is such that exceptions to this specification are necessary, the particular system will be identified, and the exceptions clearly listed through an addendum which will be made a part of the specification.

2. DESIGN

- (a) All supports and parts shall conform to the latest requirements of the ASME Code for Pressure Piping B31.1 and MSS Standard Practice SP-58, SP-69, SP-89 and SP-90 except as supplemented or modified by the requirements of this specification.
- (b) Designs generally accepted as exemplifying good engineering practice, using stock or production parts, shall be utilized wherever possible.
- (c) Accurate weight balance calculations shall be made to determine the required supporting force at each hanger location and the pipe weight load at each equipment connection.
- (d) Pipe hangers shall be capable of supporting the pipe in all conditions of operation. They shall allow free expansion and contraction of the piping, and prevent excessive stress resulting from transferred weight being introduced into the pipe or connected equipment.
- (e) Wherever possible, pipe attachments for horizontal piping shall be pipe clamps.
- (f) For critical high-temperature piping, at hanger locations where the vertical movement of the piping is $\frac{1}{2}$ " or more, or where it is necessary to avoid the transfer of load to adjacent hangers or connected equipment, pipe hangers shall be an approved constant support design, as Anvil Fig. 80-V and Fig. 81-H Constant Support Hangers, or equal.

Where transfer of load to adjacent hangers or equipment is not critical, and where the vertical movement of the piping is less than $\frac{1}{2}$ ", Variable Spring Hangers may be used, provided the variation in supporting effect does not exceed 25% of the calculated piping load through its total vertical travel.

- (g) The total travel for Constant Support Hangers will be equal to actual travel plus 20%. In no case will the difference between actual and total travel be less than 1". The Constant Support Hanger will have travel scales on both sides of the support frame to accommodate inspections.

- (h) Constant Support Hanger should be individually calibrated before shipment to support the exact load specified. The calibration record of constant support shall be maintained for a period of 20 years to assist the customer in any redesign of the piping system. Witness marks shall be stamped on the Load Adjustment Scale to establish factory calibration reference point.
- (i) In addition to the requirements of ASTM A125 all alloy springs shall be shot peened and examined by magnetic particle. The spring rate tolerance shall be $\pm 5\%$. All three critical parameters (free height, spring rate and loaded height) of spring coils must be tested for. Each spring coiled must be purchased with a C.M.T.R. and be of domestic manufacture.
- (j) Constant Supports should have a wide range of load adjustability. No less than 10% of this adjustability should be provided either side of the calibrated load for plus or minus field adjustment. Load adjustment scale shall be provided to aid the field in accurate adjustment of loads. Additionally, the constant support should be designed so that load adjustments can be made with-out use of special tools and not have an impact on the travel capabilities of the supports.
- (k) Constant Supports shall be furnished with travel stops which shall prevent upward and downward movement of the hanger. The travel stops will be factory installed so that the hanger level is at the "cold" position. The travel stops will be of such design as to permit future re-engagement, even in the event the lever is at a position other than "cold"; without having to make hanger adjustments.
- (l) For non-critical, low temperature systems, where vertical movements up to 2" are anticipated, an approved precompressed Variable Spring design similar to Anvil Fig. B- 268 may be used. Where movements are of a small magnitude, spring hangers similar to Anvil Fig. 82 may be used.
- (m) Each Variable Spring shall be individually calibrated at the factory and furnished with travel stops. Spring coils must be square to within 1" to insure proper alignment. Each spring coil must be purchased with a C.M.T.R. and be of domestic manufacture.
- (n) All rigid rod hangers shall provide a means of vertical adjustment after erection.
- (o) Where the piping system is subject to shock loads, such as seismic disturbances or thrusts imposed by the actuation of safety valves, hanger design shall include provisions for rigid restraints or shock absorbing devices of approved design, such as Anvil Fig. 200 shock and sway suppressor, or equal.

Stanchions & Supports

Guides & Slides

Pipe Rolls & Saddles

Trapeze

Spring Hangers

Constant Supports

Vibration Control & Sway Brace

Sway Strut Assembly

Snubbers

Special Design Products

Seismic Braces

Seismic Restraints

Technical Data

Index

Pipe Hanger Specifications

- (p) Selection of vibration control devices shall not be part of the standard hanger contract. If vibration is encountered after the piping system is in operation, appropriate vibration control equipment shall be installed.
- (q) Hanger rods shall be subject to tensile loading only (see page 233). At hanger locations where lateral or axial movement is anticipated, suitable linkage shall be provided to permit swing.
- (r) Where horizontal piping movements are greater than $\frac{1}{2}$ " and where the hanger rod angularly from the vertical is less than or equal to 4 degrees from the cold to hot position of the pipe, the hanger pipe and structural attachments shall be offset in such manner that the rod is vertical in the hot position. When the hanger rod angularity is greater than 4 degrees from vertical, then structural attachment will be offset so that at no point with the rod angularity exceed 4 degrees from vertical.
- (t) Hangers shall be spaced in accordance with Table 1 and Table 2 on page 268.
- (u) Where practical, riser piping shall be supported independently of the connected horizontal piping. Pipe support attachments to the riser piping shall be riser clamp lugs. Welded attachments shall be of material comparable to that of the pipe, and designed in accordance with governing codes.
- (v) Supports, guides, and anchors shall be so designed that excessive heat will not be transmitted to the building steel. The temperature of supporting parts shall be based on a temperature gradient of 100F° per inch distance from the outside surface of the pipe.
- (w) Hanger components shall not be used for purposes other than for which they were designed. They shall not be used for rigging and erection purposes.
- (x) Hydraulic Snubbers - The hydraulic units shall have a temperature stable control valve. The valve shall provide a locking and bleed rate velocity that provides for tamper proof settings. The fluid level indicator for exact reading of reservoir fluid level in any snubber orientation.

The valve device shall offer a minimum amount of resistance to thermal movement. Any shock force shall cause the suppressor valve to close. With the suppressor valve closed the fluid flow shall essentially stop, thereby causing the unit to resist and absorb the disturbing forces. After the disturbing forces subside, the suppressor valve shall open again to allow free thermal movement of the

piping. The suppressor shall have a means of regulating the amount of movement under shock conditions up to the design load for faulted conditions without release of fluid. The suppressor design shall include a fluid bleed system to assure continued free thermal movement after the shock force subsides. The suppressor shall have a hard surfaced, corrosion resistant piston rod supported by a rod bushings and shall be designed so that it is capable of exerting the required force in tension and compression, utilizing the distance.

- (y) Paint - Variable Spring and Constant Support units will be furnished painted with Stewart Bros. Green Semi-Gloss Primer (#12979B). All other material will receive one shop coat of a red chromate primer meeting the requirements of Federal Specification TT-P-636.

For corrosive conditions hangers will be galvanized or painted with carbo-zinc #11.

- (z) All threads are UNC unless otherwise specified.

Hanger Design Service

Hanger for piping $2\frac{1}{2}$ " and larger, and all spring support for assemblies, shall be completely engineered.

- (a) Engineered hanger assemblies shall be detailed on $8\frac{1}{2}$ " x 11" sheets.

Each sketch will include a location plan showing the location of the hanger in relation to columns of equipment.

Each sketch will include an exact bill of material for the component parts making up each assembly.

- (b) Each engineered hanger assembly will be individually bundled and tagged as far as practical, ready for installation.

Hanger material for piping 2" and smaller shall be shipped as loose material, identified by piping system only. A piping drawing marked with approximate hanger locations and types, and hanger sketches showing typical support arrangements will be furnished.

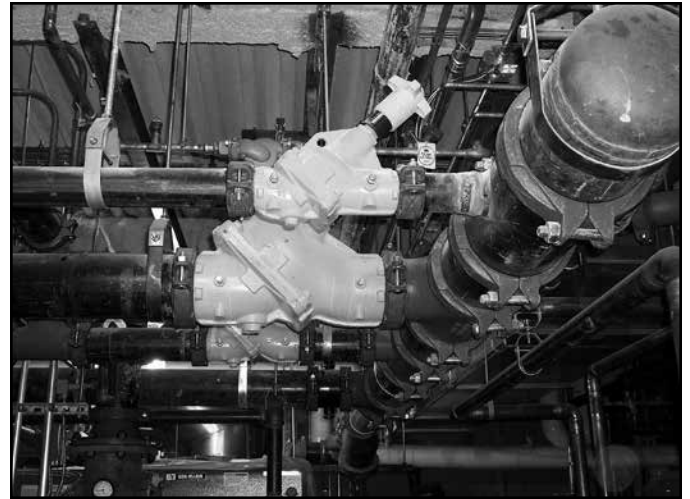
- (c) Hanger inspections shall be performed in accordance with MSS-SP-89 (Section 7.7), ASME B31.1 (Appendix V), and ASME Section III Subsection NF (NF-5000).

Master Format 3 Part Specification

Anvil international provides our customers with master specification formats for a wide range of piping construction needs. Anvil's customers can utilize our specifications to help update and revise their current internal building specifications. These master specifications include a three part format; Part 1: General, Part 2: Product, & Part 3: Execution that included the complete catalog of Anvil products.

Anvil provides a master specification format for all building and construction needs including:

- Basic Mechanical Methods and Materials
- Hanger & Supports
- Pipes, Valves, & Fittings for Fire Protection
- Pipes, Valves, & Fittings for Plumbing Systems
- Pipes, Valves, & Fittings for HVAC Heating and Cooling Systems



All Master Format Specification are available for download in WORD and PDF format.

Please follow the web address below for download links.

<http://www.anvilintl.com/engineering-resources/master-specifications.aspx>

Stanchions
& Supports

Guides
& Slides

Pipe Halls
& Saddles

Trapeze

Spring
Hangers

Constant
Supports

Vibration Control
& Sway Brace

Sway Strut
Assembly

Snubbers

Special Design
Products

Seismic
Braces

Seismic
Restraints

Technical
Data

Index

TECHNICAL DATA

Pipe Support Spacing

TABLE 1: MAXIMUM HORIZONTAL SPACING BETWEEN PIPE SUPPORTS FOR STANDARD WEIGHT STEEL PIPE*

	Nominal Pipe Size (in)																					
	½	¾	1	1½	2	2½	3	3½	4	5	6	8	10	12	14	16	18	20	24	30		
Max. Span (Ft) Water Service	7	7	7	9	10	11	12	13	14	16	17	19	22	23	25	27	28	30	32	33		
Max. Span (Ft) Vapor Service	8	9	9	12	13	14	15	16	17	19	21	24	26	30	32	35	37	39	42	44		
Recommended Hanger Rod Sizes	¾			½			⅝			¾			⅞			1			1	1¼	1½	1½
	or trapeze																					

The above spacing and capacities are based on pipe filled with water. Additional valves and fittings increase the load and therefore closer hanger spacing is required.

*Many codes and specifications state "pipe hangers must be spaced every 10ft. regardless of size." This local specification must be followed.

TABLE 2: MAXIMUM HORIZONTAL SPACING BETWEEN COPPER TUBING SUPPORTS

	Nominal Tubing Size (in)									
	½	¾	1	1¼	1½	2	2½	3	3½	4
Max. Span (Ft) Water Service	5	5	6	7	8	8	9	10	11	12
Max. Span (Ft) Vapor Service	6	7	8	9	10	11	13	14	15	16

Note: Spans shown in Tables 1 and 2 do not apply where there are concentrated loads between supports or where temperatures exceed 750°F.

TABLE 3: CPVC PIPE SUPPORT SPACING

Pipe Size (In.)	Schedule 40 Temperature (°F)						Schedule 80 Temperature (°F)					
	73°	100°	120°	140°	160°	180°	73°	100°	120°	140°	160°	180°
½	5	4½	4½	4	2½	2½	5½	5	4½	4½	3	2½
¾	5	5	4½	4	2½	2½	5½	5½	5	4½	3	2½
1	5½	5½	5	4½	3	2½	6	6	5½	5	3½	3
1¼	5½	5½	5½	5	3	3	6½	6	6	5½	3½	3
1½	6	6	5½	5	3½	3	7	6½	6	5½	3½	3½
2	6	6	5½	5	3½	3	7	7	6½	6	4	3½
2½	7	7	6½	6	4	3½	8	7½	7½	6½	4½	4
3	7	7	7	6	4	3½	8	8	7½	7	4½	4
3½	7½	7½	7	6½	4	4	8½	8½	8	7½	5	4½
4	7½	7½	7	6½	4½	4	8½	9	8½	7½	5	4½
6	8½	8	7½	7	5	4½	10	9½	9	8	5½	5
8	9½	9	8½	7½	5½	5	11	10½	10	9	6	5½
10	10½	10	9½	8	6	5½	11½	11	10½	9½	6½	6
12	11½	10½	10	8½	6½	6	12½	12	11½	10½	7½	6½
14	12	11	10	9	8	6	15	13½	12½	11	9½	8
16	13	12	11	9½	8½	7	16	15	13½	12	10	8½

Note: Although support spacing is shown at 140°F, consideration should be given to the use of CPVC or continuous support above 120°F.

The possibility of temperature overrides beyond regular working temperatures and cost may either make either of the alternatives more desirable. This chart based on continuous spans and for un-insulated line carrying fluids of specific gravity up to 1.00.

The above table is meant as a general guideline, it is recommended that the pipe manufacturer be consulted for specific spacing recommendations relating to their pipe, load conditions, operating temperature and service conditions.

Local codes and specifications may also vary from the above recommended spacing and should be consulted for the applicable spacing requirements prior to installation.

Pipe Support Spacing – PVC

Pipe Size (In.)	Schedule 40 Temperature (°F)					Schedule 80 Temperature (°F)					Schedule 120 Temperature (°F)				
	60	80	100	120	140	60	80	100	120	140	60	80	100	120	140
¼	4	3½	3½	2	2	4	4	3½	2½	2	–	–	–	–	–
⅜	4	4	3½	2½	2	4½	4½	4	2½	2½	–	–	–	–	–
½	4½	4½	4	2½	2½	5	4½	4½	3	2½	5	5	4½	3	2½
¾	5	4½	4	2½	2½	5½	5	4½	3	2½	5½	5	4½	3	3
1	5½	5	4½	3	2½	6	5½	5	3½	3	6	5½	5	3½	3
1¼	5½	5½	5	3	3	6	6	5½	3½	3	6½	6	5½	3½	3½
1½	6	5½	5	3½	3	6½	6	5½	3½	3½	6½	6½	6	4	3½
2	6	5½	5	3½	3	7	6½	6	4	3½	7½	7	6½	4	3½
2½	7	6½	6	4	3½	7½	7½	6½	4½	4	8	7½	7	4½	4
3	7	7	6	4	3½	8	7½	7	4½	4	8½	8	7½	5	4½
3½	7½	7	6½	4	4	8½	8	7½	5	4½	9	8½	7½	5	4½
4	7½	7	6½	4½	4	9	8½	7½	5	4½	9½	9	8½	5½	5
5	8	7½	7	4½	4	9½	9	8	5½	5	10½	10	9	6	5½
6	8½	8	7½	5	4½	10	9½	9	6	5	11½	10½	9½	6½	6
8	9	8½	8	5	4½	11	10½	9½	6½	5½	–	–	–	–	–
10	10	9	8½	5½	5	12	11	10	7	6	–	–	–	–	–
12	11½	10½	9½	6½	5½	13	12	10½	7½	6½	–	–	–	–	–
14	12	11	10	7	6	13½	13	11	8	7	–	–	–	–	–
16	12½	11½	10½	7½	6½	14	13½	11½	8½	7½	–	–	–	–	–
18	13	12	11	8	7	14½	14	12	11	9	–	–	–	–	–
20	14	12½	11½	10	8½	15½	14½	12½	11½	9½	–	–	–	–	–
24	15	13	12½	11	9½	17	15	14	12½	10½	–	–	–	–	–
	SDR 41					SDR 26					–				
18	13	12	11	8	7	14½	14	12	9	8	–	–	–	–	–
20	13½	12½	11½	8½	7½	15	14½	12½	9½	8½	–	–	–	–	–
24	14	13	12	9	8	15½	15	13	10	9	–	–	–	–	–

Note: Although support spacing is shown at 140°F, consideration should be given to the use of CPVC or continuous support above 120°F.

The possibility of temperature overrides beyond regular working temperatures and cost may either make either of the alternatives more desirable. This chart based on continuous spans and for un-insulated line carrying fluids of specific gravity up to 1.00.

The above table is meant as a general guideline, it is recommended that the pipe manufacturer be consulted for specific spacing recommendations relating to their pipe, load conditions, operating temperature and service conditions.

Local codes and specifications may also vary from the above recommended spacing and should be consulted for the applicable spacing requirements prior to installation.

TECHNICAL DATA

Pipe Data – Steel

Schedule No. 40 & 80

Pipe Size	O.D.	Schedule No.	Wall Thickness	Weight per Foot (lbs)	Weight of Water per Foot (lbs)
3/8	0.675	40	0.091	0.568	0.083
		80	0.126	0.739	0.061
1/2	0.840	40	0.109	0.851	0.132
		80	0.147	1.088	0.101
3/4	1.050	40	0.113	1.131	0.230
		80	0.154	1.474	0.188
1	1.315	40	0.133	1.679	0.374
		80	0.179	2.172	0.311
1 1/4	1.660	40	0.140	2.273	0.648
		80	0.191	2.997	0.555
1 1/2	1.900	40	0.145	2.718	0.882
		80	0.200	3.631	0.765
2	2.375	40	0.154	3.653	1.455
		80	0.218	5.022	1.280
2 1/2	2.875	40	0.203	5.793	2.076
		80	0.276	7.661	1.837
3	3.500	40	0.216	7.580	3.20
		80	0.300	10.25	2.864
3 1/2	4.000	40	0.226	9.11	4.280
		80	0.318	12.51	3.850
4	4.500	40	0.237	10.79	5.510
		80	0.337	14.98	4.980
5	5.563	40	0.258	14.62	8.660
		80	0.375	20.78	7.870
6	6.625	40	0.280	18.97	12.51
		80	0.432	28.57	11.29
8	8.625	40	0.322	28.55	21.69
		80	0.500	43.39	19.800
10	10.75	40	0.365	40.48	34.10
		80	0.593	64.33	31.10
12	12.75	40	0.406	53.53	48.50
		80	0.687	88.51	44.00
14	14.000	40	0.437	63.37	58.70
		80	0.750	106.13	53.20
16	16.000	40	0.500	82.77	76.50
		80	0.843	136.46	69.70
18	18.000	40	0.562	104.75	97.00
		80	0.937	170.75	88.50
20	20.000	40	0.593	122.91	120.4
		80	1.031	208.87	109.4
24	24.000	40	0.687	171.17	174.3
		80	1.218	296.36	158.3
30	30.000	20	0.500	158.00	286.2
36	36.000	20	0.500	190.00	417.1

Pipe Data – Steel

Schedule No. 10

Pipe Size	O.D.	Wall Thickness	Weight per Foot (lbs)	Weight of Water per Foot (lbs)
1	1.315	0.109	1.404	0.409
1¼	1.660	0.109	1.81	0.71
1½	1.900	0.109	2.09	0.96
2	2.375	0.109	2.64	1.58
2½	2.875	0.120	3.53	2.36
3	3.500	0.120	4.33	3.61
3½	4.000	0.120	4.97	4.81
4	4.500	0.120	5.61	6.17
5	5.563	0.134	7.77	9.53
6	6.625	0.134	9.29	13.74
8	8.625	0.148	13.40	23.59
10	10.75	0.165	18.70	36.9
12	12.75	0.180	24.20	52.20
14	14.000	0.250	36.71	62.06
16	16.000	0.250	42.10	81.8
18	18.000	0.250	47.40	104.3
20	20.000	0.250	52.70	129.5
24	24.000	0.250	63.40	188.0

Copper Tube Data

Type L & K

TYPE L				
Tube Size	Tubing O.D.	Wall Thickness	Weight per Foot (lbs)	Weight of Water per Foot (lbs)
¼	0.375	.030	.126	.034
⅜	0.500	.035	.198	.062
½	0.625	.040	.285	.100
⅝	0.750	.042	.362	.151
¾	0.875	.045	.455	.209
1	1.125	.050	.655	.357
1¼	1.375	.055	.884	.546
1½	1.625	.060	1.140	.767
2	2.125	.070	1.750	1.341
2½	2.625	.080	2.480	2.064
3	3.125	.090	3.330	2.949
3½	3.625	.100	4.290	3.989
4	4.125	.110	5.380	5.188
5	5.125	.125	7.610	8.081
6	6.125	.140	10.200	11.616
8	8.125	.200	19.260	20.289
10	10.125	.250	30.100	31.590
12	12.125	.280	40.400	45.426

TYPE K				
Tube Size	Tubing O.D.	Wall Thickness	Weight per Foot (lbs)	Weight of Water per Foot (lbs)
¼	0.375	.035	.145	.032
⅜	0.500	.049	.269	.055
½	0.625	.049	.344	.094
⅝	0.750	.049	.418	.144
¾	0.875	.065	.641	.188
1	1.125	.065	.839	.337
1¼	1.375	.065	1.040	.527
1½	1.625	.072	1.360	.743
2	2.125	.083	2.060	1.310
2½	2.625	.095	2.920	2.000
3	3.125	.109	4.000	2.960
3½	3.625	.120	5.120	3.900
4	4.125	.134	6.510	5.060
5	5.125	.160	9.670	8.000
6	6.125	.192	13.870	11.200
8	8.125	.271	25.900	19.500
10	10.125	.338	40.300	30.423
12	12.125	.405	57.800	43.675

TECHNICAL DATA

Soil Pipe Data

SERVICE WEIGHT CAST IRON (BELL & SPIGOT TYPE)				
Nom. Pipe Size	O.D. of Cast Iron Pipe	Wall Thickness	Weight per Foot (lbs)	Weight of Water per Foot (lbs)
2	2.25	.17	4.00	1.50
3	3.25	.17	6.00	3.40
4	4.25	.18	8.00	6.20
5	5.25	.18	10.40	12.30
6	6.25	.18	13.00	13.90
8	8.38	.23	20.00	25.70
10	10.50	.28	29.00	40.60
12	12.50	.28	38.00	58.20
15	15.62	.31	51.00	96.60

EXTRA WEIGHT CAST IRON (BELL & SPIGOT TYPE)				
Nom. Pipe Size	O.D. of Cast Iron Pipe	Wall Thickness	Weight per Foot (lbs)	Weight of Water per Foot (lbs)
2	2.38	.190	5.00	1.60
3	3.50	.250	9.00	3.70
4	4.50	.250	12.00	6.50
5	5.50	.250	15.00	10.20
6	6.50	.250	19.00	14.70
8	8.62	.310	30.00	26.10
10	10.75	.375	43.00	40.80
12	12.75	.375	54.00	58.80
15	15.88	.440	75.00	91.80

NO-HUB CAST IRON				
Nom. Pipe Size	O.D. of Cast Iron Pipe	Wall Thickness	Weight per Foot (lbs)	Weight of Water per Foot (lbs)
1½	1.90	.16	2.70	3.50
2	2.35	.16	3.60	5.00
3	3.35	.16	5.20	8.30
4	4.38	.19	7.40	12.80
5	5.30	.19	9.60	17.90
6	6.30	.19	11.00	23.00
8	8.38	.23	18.00	39.50
10	10.50	.28	26.20	43.34
12	12.50	.28	35.50	62.51

AWWA Ductile Iron Pipe Data

Nom. Pipe Size	Class	O.D. D.I. Pipe	Wall Thickness	Weight per Foot (lbs)	Weight of Water per Foot (lbs)
3	53	3.96	.31	11.20	3.80
4	53	4.80	.32	14.20	5.90
6	53	6.90	.34	22.00	13.10
8	53	9.05	.36	31.00	23.00
10	53	11.10	.38	40.40	36.40
12	53	13.20	.40	50.70	52.30
14	53	15.30	.42	62.40	71.10
16	53	17.40	.43	72.80	93.10
18	53	19.50	.44	83.60	117.90
20	53	21.60	.45	95.20	145.80
24	53	25.80	.47	119.20	210.20
30	53	32.00	.51	161.30	326.50
36	53	38.30	.58	219.50	469.30
42	53	44.50	.65	285.20	634.90
48	53	50.80	.72	360.30	828.90

PVC Plastic Pipe Data

Schedule No. 40 & 80

Pipe Size	O.D.	Schedule No.	Wall Thickness	Weight per Foot (lbs)	Weight of Water per Foot (lbs)
1/8	0.405	40	0.068	0.043	0.025
		80	0.095	0.055	0.016
1/4	0.540	40	0.088	0.074	0.045
		80	0.119	0.094	0.031
3/8	0.675	40	0.091	0.100	0.083
		80	0.126	0.129	0.061
1/2	0.840	40	0.109	0.150	0.132
		80	0.147	0.150	0.101
3/4	1.050	40	0.113	0.199	0.230
		80	0.154	0.259	0.186
1	1.315	40	0.133	0.295	0.374
		80	0.179	0.382	0.311
1 1/4	1.660	40	0.140	0.400	0.647
		80	0.191	0.527	0.555
1 1/2	1.900	40	0.145	0.478	0.882
		80	0.200	0.639	0.765
2	2.375	40	0.154	0.643	1.452
		80	0.218	0.884	1.279
2 1/2	2.875	40	0.203	1.020	2.072
		80	0.276	1.350	1.834
3	3.500	40	0.216	1.333	3.200
		80	0.300	1.804	2.860
3 1/2	4.000	40	0.226	1.598	4.280
		80	0.318	2.195	3.850
4	4.500	40	0.237	1.899	5.510
		80	0.337	2.636	4.980
5	5.563	40	0.258	2.770	8.660
		80	0.375	4.126	7.870
6	6.625	40	0.280	3.339	12.150
		80	0.432	5.028	11.290
8	8.625	40	0.322	5.280	21.600
		80	0.500	8.023	19.800
10	10.750	40	0.366	7.505	34.100
		80	0.593	11.894	31.100
12	12.750	40	0.406	10.023	48.500
		80	0.687	16.365	44.000

Stanchions & Supports

Guides & Slides

Pipe Rolls & Saddles

Trapeze

Spring Hangers

Constant Supports

Vibration Control & Sway Brace

Sway Strut Assembly

Snubbers

Special Design Products

Seismic Braces

Seismic Restraints

Technical Data

Index

TECHNICAL DATA

Thermal Expansion of Pipe Material

THERMAL EXPANSION OF PIPE MATERIAL – (IN/FT)										
Temp °F	Carbon Steel - Low Chrome Steel (thru 3% Cr)									
	0	10	20	30	40	50	60	70	80	90
-200	-0.0180	-0.0187	-0.0192	-0.0198	-0.0203	-0.0209	-0.0215	-0.0220	-0.0225	-0.0230
-100	-0.0121	-0.0127	-0.0133	-0.0140	-0.0146	-0.0152	-0.0158	-0.0163	-0.0169	-0.0174
0	-0.0051	-0.0058	-0.0065	-0.0073	-0.0080	-0.0087	-0.0096	-0.0103	-0.0109	-0.0116
0	-0.0051	-0.0044	-0.0037	-0.0029	-0.0022	-0.0015	-0.0007	0	0.0008	0.0015
100	0.0023	0.0030	0.0038	0.0046	0.0053	0.0061	0.0068	0.0076	0.0084	0.0091
200	0.0099	0.0107	0.0116	0.0124	0.0132	0.0141	0.0149	0.0157	0.0165	0.0174
300	0.0182	0.0191	0.0200	0.0208	0.0217	0.0226	0.0235	0.0244	0.0252	0.0261
400	0.0270	0.0279	0.0288	0.0298	0.0307	0.0316	0.0325	0.0334	0.0344	0.0353
500	0.0362	0.0372	0.0382	0.0391	0.0401	0.0411	0.0421	0.0431	0.0440	0.0450
600	0.0460	0.0470	0.0481	0.0491	0.0501	0.0512	0.0522	0.0532	0.0542	0.0553
700	0.0563	0.0574	0.0584	0.0595	0.0606	0.0617	0.0627	0.0638	0.0649	0.0659
800	0.0670	0.0681	0.0692	0.0703	0.0714	0.0726	0.0737	0.0748	0.0759	0.0770
900	0.0781	0.0792	0.0803	0.0813	0.0824	0.0835	0.0846	0.0857	0.0867	0.0878
1,000	0.0889	0.0901	0.0912	0.0924	0.0935	0.0946	0.0958	0.0970	0.0981	0.0993
1,100	0.1004	0.1015	0.1025	0.1036	0.1046	0.1057	0.1068	0.1078	0.1089	0.1099
1,200	0.1110	0.1121	0.1132	0.1144	0.1155	0.1166	0.1177	0.1188	0.1200	0.1211
1,300	0.1222	0.1233	0.1244	0.1256	0.1267	0.1278	0.1299	0.1320	0.1342	0.1363
1,400	0.1334	-	-	-	-	-	-	-	-	-

THERMAL EXPANSION OF PIPE MATERIAL – (IN/FT)										
Temp °F	Austenitic Stainless Steels (304, 316, 347)									
	0	10	20	30	40	50	60	70	80	90
-200	-0.0281	-0.0295	-0.0305	-0.0314	-0.0324	-0.0334	-0.0343	-0.0353	-0.0362	-0.0372
-100	-0.0187	-0.0197	-0.0207	-0.0216	-0.0226	-0.0236	-0.0245	-0.0254	-0.0263	-0.0272
0	-0.0078	-0.0089	-0.0100	-0.0112	-0.0123	-0.0134	-0.0145	-0.0155	-0.0166	-0.0176
0	-0.0078	-0.0067	-0.0056	-0.0044	-0.0033	-0.0022	-0.0011	0	0.0012	0.0023
100	0.0034	0.0045	0.0056	0.0068	0.0079	0.0090	0.0101	0.0112	0.0124	0.0135
200	0.0146	0.0158	0.0169	0.0181	0.0192	0.0203	0.0215	0.0227	0.0238	0.0250
300	0.0261	0.0273	0.0285	0.0297	0.0309	0.0321	0.0332	0.0344	0.0356	0.0368
400	0.0380	0.0392	0.0404	0.0416	0.0428	0.0440	0.0453	0.0465	0.0477	0.0489
500	0.0501	0.0513	0.0526	0.0538	0.0550	0.0562	0.0575	0.0587	0.0599	0.0612
600	0.0624	0.0637	0.0649	0.0662	0.0674	0.0687	0.0700	0.0712	0.0725	0.0737
700	0.0750	0.0763	0.0776	0.0789	0.0802	0.0815	0.0828	0.0841	0.0854	0.0867
800	0.0880	0.0893	0.0906	0.0920	0.0933	0.0946	0.0959	0.0972	0.0986	0.0999
900	0.1012	0.1260	0.1039	0.1053	0.1066	0.1080	0.1094	0.1107	0.1121	0.1134
1,000	0.1148	0.1162	0.1175	0.1189	0.1202	0.1216	0.1229	0.1243	0.1257	0.1270
1,100	0.1284	0.1298	0.1311	0.1325	0.1338	0.1352	0.1366	0.1379	0.1393	0.1406
1,200	0.1420	0.1434	0.1447	0.1461	0.1474	0.1488	0.1502	0.1515	0.1529	0.1542
1,300	0.1556	0.1570	0.1583	0.1597	0.1610	0.1624	0.1638	0.1651	0.1665	0.1678
1,400	0.1692	0.1704	0.1717	0.1731	0.1744	0.1757	0.1771	0.1784	0.1796	0.1811

Note: Intersect "10" Degree increments across the top of each table with the "100" degree increments down the left side to determine the coefficient of thermal expansion for the desired temperature.

Thermal Expansion of Pipe Material

THERMAL EXPANSION OF PIPE MATERIAL – (IN/FT)				
Temp °F	Intermediate Alloy Steels (5% thru 9% Cr Mo)	Copper	Brass	Aluminum
-200	–	-0.0275	-0.2870	-0.0373
-150	–	-0.0231	-0.0241	-0.0310
-100	–	-0.1830	-0.1900	-0.0244
-50	–	-0.1320	-0.0137	-0.0176
0	–	-0.0790	-0.0081	-0.0104
50	–	-0.0022	-0.0023	-0.0030
70	0.0000	0.0000	0.0000	0.0000
100	0.0022	0.0034	0.0035	0.0046
150	0.0058	0.0091	0.0093	0.0123
200	0.0094	0.0151	0.0152	0.0200
250	0.0132	0.0208	0.0214	0.0283
300	0.0171	0.0267	0.0276	0.0366
350	0.0210	0.0327	0.0340	0.0452
400	0.0250	0.0388	0.0405	0.0539
450	0.0292	0.0449	0.0472	0.0628
500	0.0335	0.0512	0.0540	0.0717
550	0.0379	0.0574	0.0610	0.0810
600	0.0424	0.0639	0.0680	0.0903
650	0.0469	0.0703	0.0753	–
700	0.0514	0.0768	0.0826	–
750	0.0562	0.0834	0.0902	–
800	0.0610	0.0900	0.0978	–
850	0.0658	0.0967	0.1056	–
900	0.0707	0.1037	0.1135	–
950	0.0756	0.1105	0.1216	–
1,000	0.0806	0.1175	0.1298	–
1,050	0.0855	–	–	–
1,100	0.0905	–	–	–
1,150	0.0952	–	–	–
1,200	0.1000	–	–	–
1,250	0.1053	–	–	–
1,300	0.1106	–	–	–
1,350	0.1155	–	–	–
1,400	0.1205	–	–	–

Stanchions
& SupportsGuides
& SlidesPipe Rolls
& Saddles

Trapeze

Spring
HangersConstant
SupportsVibration Control
& Sway BraceSway Strut
Assembly

Snubbers

Special Design
ProductsSeismic
BracesSeismic
RestraintsTechnical
Data

Index

TECHNICAL DATA

Threaded Rod Data

LOAD CARRYING CAPACITIES OF THREADED HANGER RODS. MATERIALS CARBON STEEL WITH MINIMUM ACTUAL TENSILE STRENGTH OF 50 KSI.				
Rod Diameter (in)	Threads per Inch	Root Area of Coarse Thread (in ²)	Maximum Safe Load (lbs) Rod Temperature, 650° F	Maximum Safe Load (lbs) Rod Temperature, 750° F
3/8	16 UNC	0.0678	730	572
1/2	13 UNC	0.126	1,350	1,057
5/8	11 UNC	0.202	2,160	1,692
3/4	10 UNC	0.302	3,230	2,530
7/8	9 UNC	0.419	4,480	3,508
1	8 UNC	0.551	5,900	4,620
1 1/4	7 UNC	0.890	9,500	7,440
1 1/2	6 UNC	1.29	13,800	10,807
1 3/4	5 UNC	1.74	18,600	14,566
2	4 1/2 UNC	2.30	24,600	19,265
2 1/4	4 1/2 UNC	3.02	32,300	25,295
2 1/2	4 UNC	3.72	39,800	31,169
2 3/4	4 UNC	4.62	49,400	38,687
3	4 UNC	5.62	60,100	47,066
3 1/4	4 UNC	6.72	71,900	56,307
3 1/2	4 UNC	7.92	84,700	66,331
3 3/4	4 UNC	9.21	98,500	77,139
4	4 UNC	10.6	114,000	88,807
4 1/4	4 UN	12.1	129,000	101,337
4 1/2	4 UN	13.7	146,000	114,807
4 3/4	4 UN	15.4	165,000	128,982
5	4 UN	17.2	184,000	144,096

Standard UNC thread thru 4" diameter and 4-UN-2A thread series for 4 1/4" diameter and larger

Maximum Recommended Applied Torques

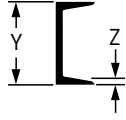
FOR FIG. 261 & CT-121 RISER CLAMPS	
Bolt Size	Torque Value (ft.- lbs)
1/4	6
5/16	11
3/8	21
7/16	32
1/2	46
5/8	100
3/4	150
7/8	190
1	280

Bolts per ASTM A307
Nuts per ASTM A563

FOR SET SCREWS IN MSS TYPE 19 & 23 C-CLAMP	
Thread Size	Torque Value (in.- lbs)
1/4	40
3/8	60
1/2	125
5/8	250
3/4	400
7/8	665

Extracted from MSS-SP-69

Beam Dimensions



AMERICAN STANDARD CHANNELS			
Depth of Section Y	Weight per Ft., lb.	Flange Width	Mean Thick of Flange Z
3	4.1	1 ³ / ₈	0.250
	5.0	1 ¹ / ₂	
	6.0	1 ⁵ / ₈	
4	5.4	1 ³ / ₈	0.313
	7.25	1 ³ / ₄	
5	6.7	1 ³ / ₄	0.313
	9.0	1 ⁷ / ₈	
6	8.2	1 ⁷ / ₈	0.375
	10.5	2	
7	9.8	2 ¹ / ₈	0.375
	12.25	2 ¹ / ₄	
8	11.5	2 ¹ / ₄	0.375
	13.75	2 ³ / ₈	
	18.75	2 ¹ / ₂	
9	13.4	2 ³ / ₈	0.438
	15.0	2 ¹ / ₂	
10	15.3	2 ⁵ / ₈	0.438
	20.0	2 ³ / ₄	
	25.0	2 ⁷ / ₈	
12	20.7	3	0.500
	25.0	3	
15	33.9	3 ³ / ₈	0.625
	40.0	3 ¹ / ₂	
18	50.0	3 ³ / ₄	0.625
	42.7	4	
	45.8	4	
18	51.9	4 ¹ / ₈	0.625
	58.0	4 ¹ / ₄	

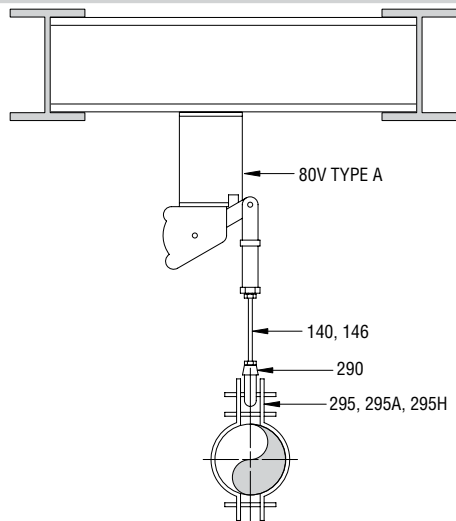
S SHAPES			
Depth of Section Y	Weight per Ft., lb.	Flange Width	Mean Thick of Flange Z
3	5.7	2 ³ / ₈	0.250
	7.5	2 ¹ / ₂	
4	7.7	2 ⁵ / ₈	0.313
	9.5	2 ³ / ₄	
5	10.0	3	0.313
	14.75	3 ¹ / ₄	
6	12.5	3 ³ / ₈	0.375
	17.25	3 ⁵ / ₈	
7	15.3	3 ³ / ₈	0.375
	20.0	3 ⁷ / ₈	
8	18.4	4	0.438
	23.0	4 ¹ / ₈	
10	25.4	4 ⁵ / ₈	0.500
	35.0	5	
12	31.8	5	0.563
	35.0	5 ¹ / ₈	
	40.8	5 ¹ / ₄	
15	50.0	5 ¹ / ₂	0.688
	42.9	5 ¹ / ₂	
18	54.7	6	0.688
	70.0	6 ¹ / ₄	
20	66.0	6 ¹ / ₄	0.813
	75.0	6 ³ / ₈	
20.3	86.0	7	0.938
	96.0	7 ¹ / ₄	
	80.0	7	
24	90.0	7 ¹ / ₈	0.875
	100.0	7 ¹ / ₄	

W SHAPES				
Depth of Section Y	Weight per Ft., lb.	Flange Width	Mean Thick of Flange Z	
5	19	5	0.430	
	6	6 ¹ / ₈		
8	18	5 ¹ / ₄	0.330	
	21	5 ¹ / ₄		
	24	6 ¹ / ₂		
	28	6 ¹ / ₂		
	31	8		
	35	8		
	40	8 ¹ / ₈		
	48	8 ¹ / ₈		
	58	8 ¹ / ₄		
	67	8 ¹ / ₄		
10	22	5 ³ / ₄	0.360	
	26	5 ³ / ₄		
	30	5 ³ / ₄		
	33	8		
	39	8		
	45	8		
	49	10		
	54	10		
	60	10 ¹ / ₈		
	68	10 ¹ / ₈		
12	77	10 ¹ / ₄	0.870	
	88	10 ¹ / ₄		
	26	6 ¹ / ₂		0.380
	30	6 ¹ / ₂		
	35	6 ¹ / ₂		
	40	8		
	45	8		
	50	8 ¹ / ₈		
	53	10		
	58	10		
65	12			
72	12			
14	79	12 ¹ / ₈	0.735	
	87	12 ¹ / ₈		
	96	12 ¹ / ₈		
	106	12 ¹ / ₄		
	30	6 ³ / ₄		0.385
	34	6 ³ / ₄		
	38	6 ³ / ₄		
	43	8		
	48	8		
	53	8		
61	10			
68	10			
74	10 ¹ / ₈			
82	10 ¹ / ₈			
36	135	12	1.020	
	150	12		

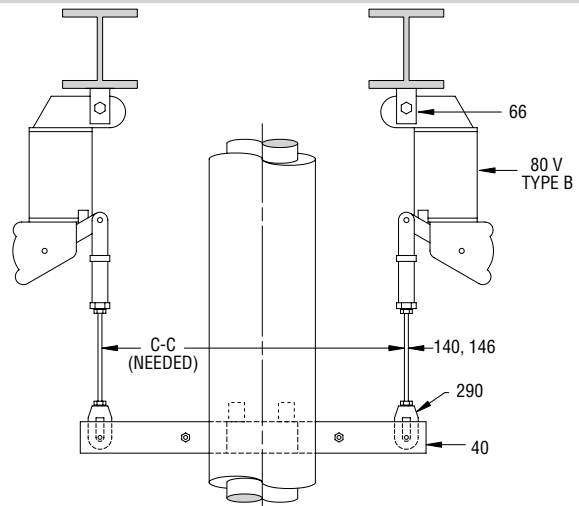
W SHAPES				
Depth of Section Y	Weight per Ft., lb.	Flange Width	Mean Thick of Flange Z	
14	99	14 ⁵ / ₈	0.780	
	109	14 ⁵ / ₈		
	120	14 ⁵ / ₈		
14	132	14 ³ / ₄	1.030	
	36	7		0.430
	40	7		
16	45	7	0.565	
	50	7 ¹ / ₈		
	57	7 ¹ / ₈		
	67	10 ¹ / ₄		
	77	10 ¹ / ₄		
	89	10 ³ / ₈		
	100	10 ³ / ₈		
18	50	7 ¹ / ₂	0.570	
	55	7 ¹ / ₂		
	60	7 ¹ / ₂		
	65	7 ⁵ / ₈		
	71	7 ⁵ / ₈		
	76	11		
	86	11 ¹ / ₈		
21	86	11 ¹ / ₈	0.870	
	97	11 ¹ / ₈		
	106	11 ¹ / ₄		
	62	8 ¹ / ₄		0.615
	68	8 ¹ / ₄		
73	8 ¹ / ₄			
83	8 ³ / ₈			
93	8 ³ / ₈			
24	101	12 ¹ / ₄	0.800	
	111	12 ³ / ₈		
	122	12 ³ / ₈		
	76	9		0.680
	84	9		
	94	9 ¹ / ₈		
	104	12 ³ / ₄		
117	12 ³ / ₄			
131	12 ³ / ₄			
94	10	0.745		
102	10			
114	10 ¹ / ₈			
30	146	14	0.975	
	108	10 ¹ / ₂		
	116	10 ¹ / ₂		
	124	10 ¹ / ₂		
33	132	10 ¹ / ₂	1.000	
	118	11 ¹ / ₂		
	130	11 ¹ / ₂		
36	141	11 ¹ / ₂	0.960	
	150	12		

APPLICATION ASSEMBLY EXAMPLES

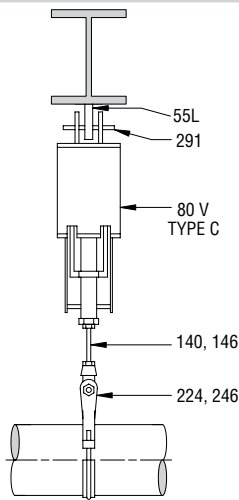
Constant Hanger Assemblies



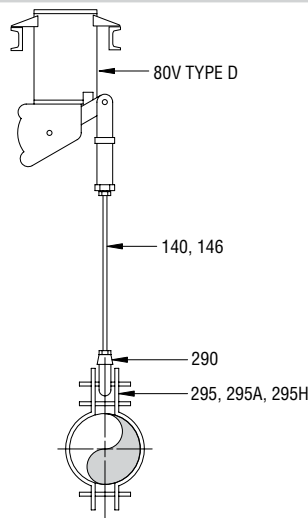
Fig_80V_Type_A .DWG, .DXF, or .EPS



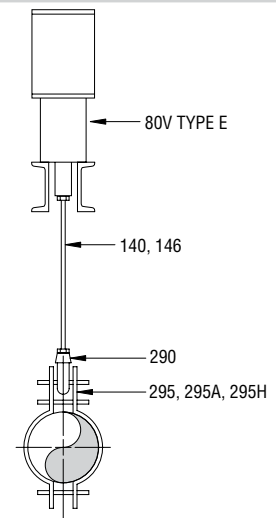
Fig_80V_Type_B .DWG, .DXF, or .EPS



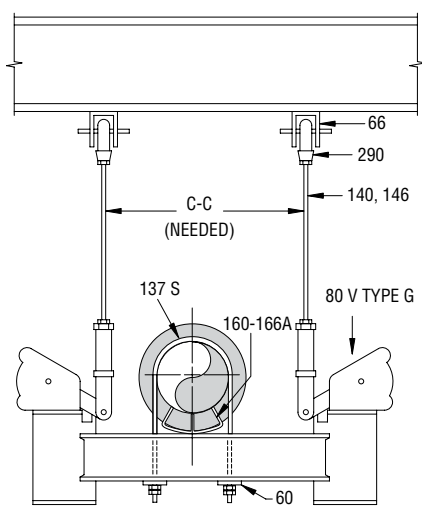
Fig_80V_Type_C .DWG, .DXF, or .EPS



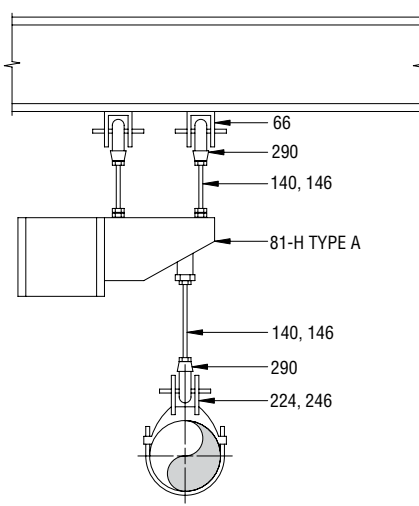
Fig_80V_Type_D .DWG, .DXF, or .EPS



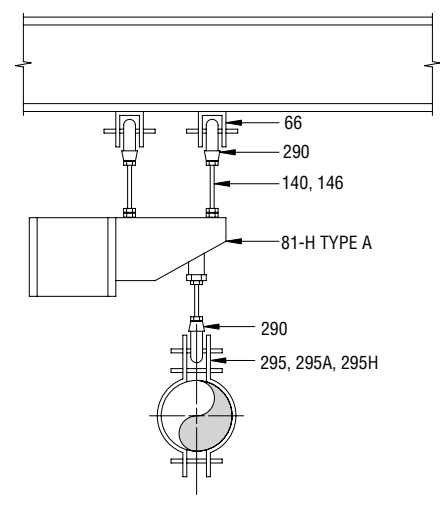
Fig_80V_Type_E .DWG, .DXF, or .EPS



Fig_80V_Type_G .DWG, .DXF, or .EPS



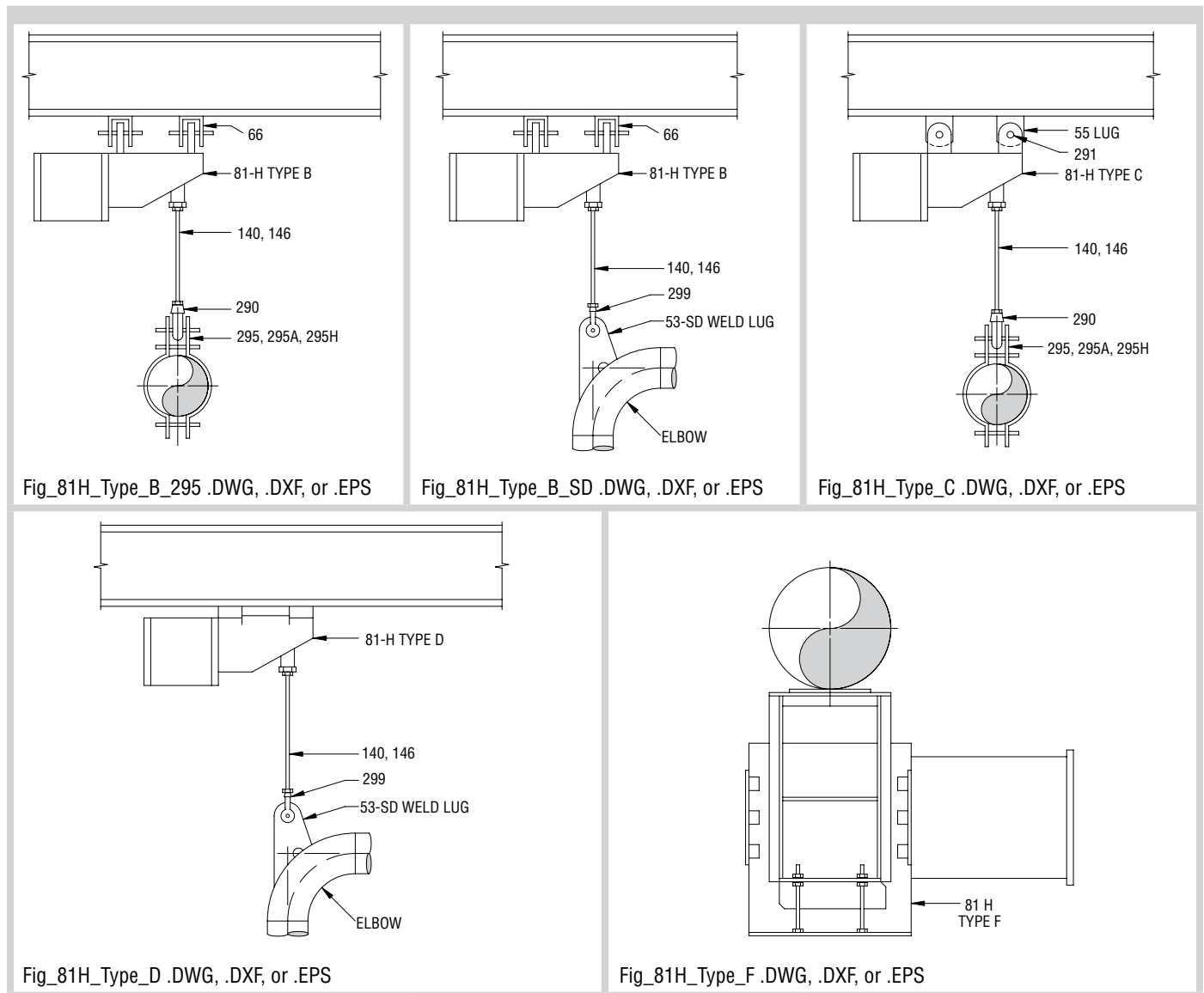
Fig_81H_Type_A_224 .DWG, .DXF, or .EPS



Fig_81H_Type_A_295 .DWG, .DXF, or .EPS

Each of these drawings are available on the Anvil web site in CAD format. The file name at the bottom of each box refers to that CAD file.

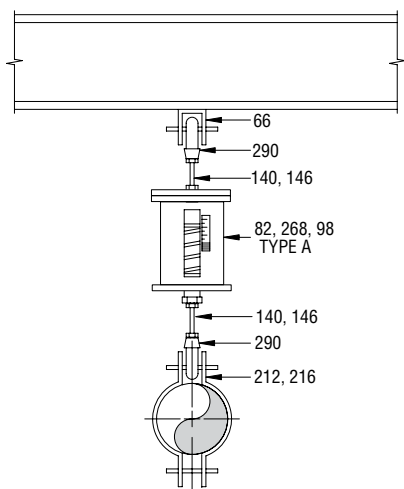
Constant Hanger Assemblies (continued)



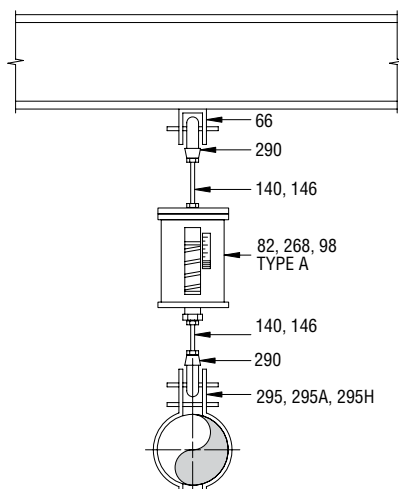
Each of these drawings are available on the Anvil web site in CAD format. The file name at the bottom of each box refers to that CAD file.

APPLICATION ASSEMBLY EXAMPLES

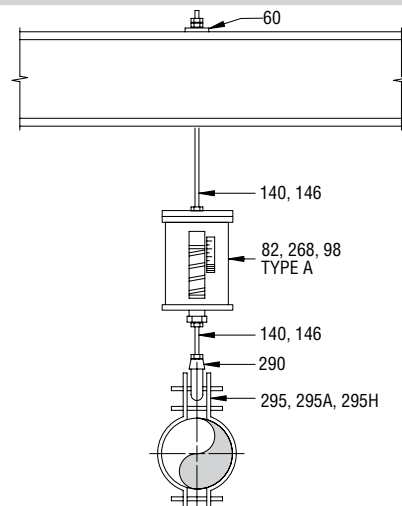
Spring Hanger Assemblies



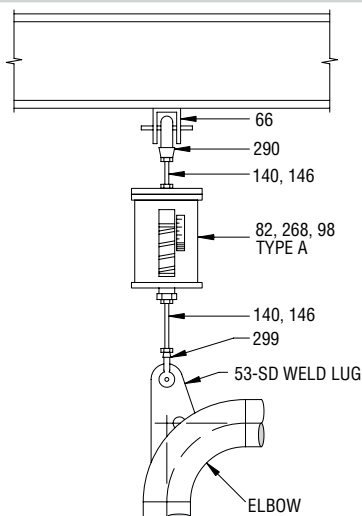
SH_Type_A_212 .DWG, .DXF, or .EPS



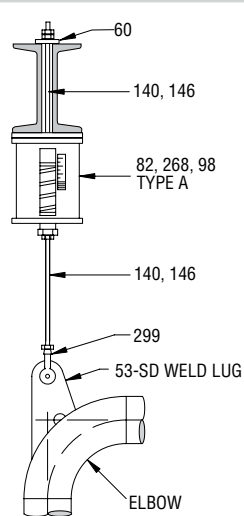
SH_Type_A_295 .DWG, .DXF, or .EPS



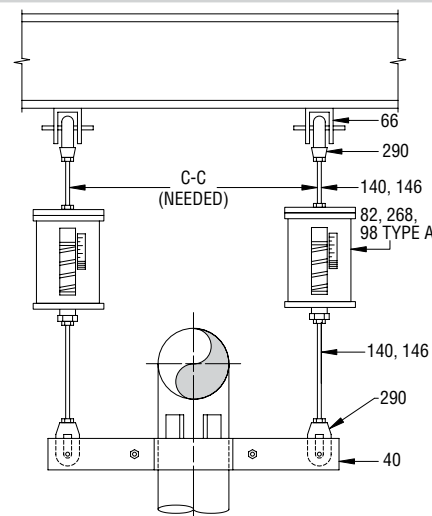
SH_Type_A_60 .DWG, .DXF, or .EPS



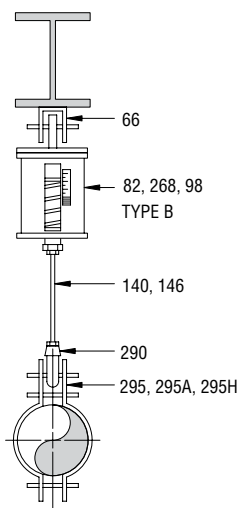
SH_Type_A_53SD .DWG, .DXF, or .EPS



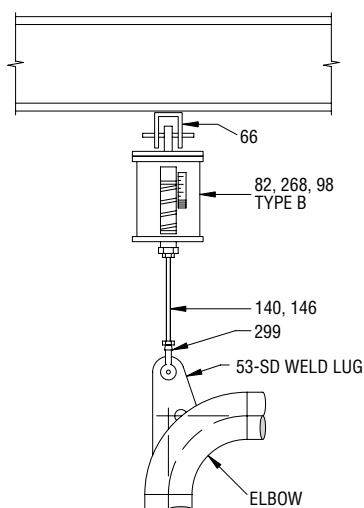
SH_Type_A_53SD_60 .DWG, .DXF, or .EPS



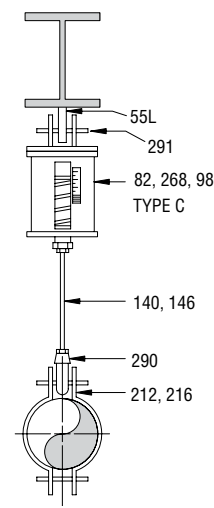
SH_Type_A_Riser .DWG, .DXF, or .EPS



SH_Type_B_295 .DWG, .DXF, or .EPS



SH_Type_B_53SD .DWG, .DXF, or .EPS



SH_Type_C_212 .DWG, .DXF, or .EPS

Each of these drawings are available on the Anvil web site in CAD format. The file name at the bottom of each box refers to that CAD file.

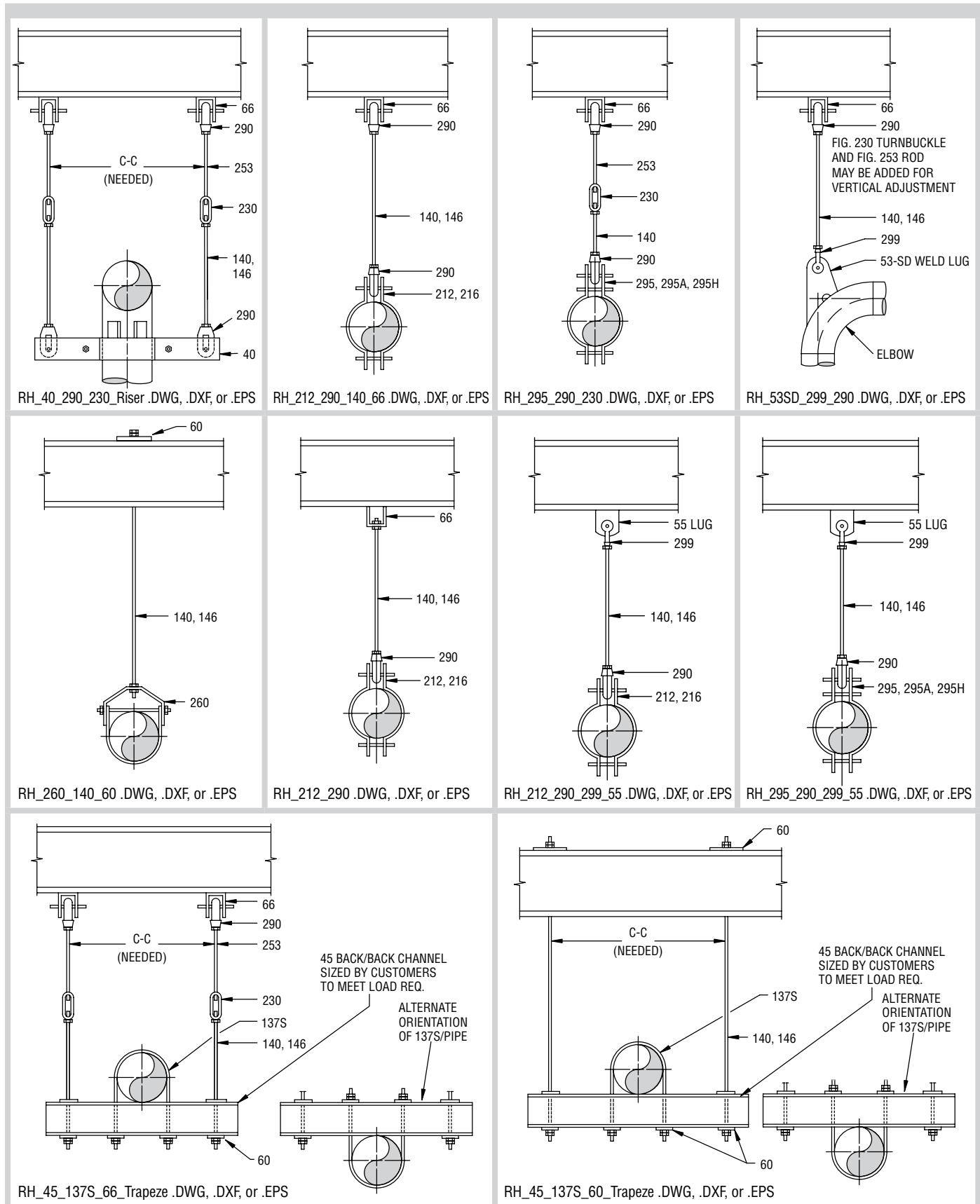
Spring Hanger Assemblies (continued)

<p>55L 82, 268, 98 TYPE C 140, 146 290 295, 295A, 295H</p>	<p>55L 291 82, 268, 98 TYPE C 140, 146 299 53-SD WELD LUG ELBOW</p>	<p>82, 268, 98 TYPE D 140, 146 290 295, 295A, 295H</p>	<p>82, 268, 98 TYPE D 140, 146 299 53-SD WELD LUG ELBOW</p>
<p>82, 268, 98 TYPE E 140, 146 290 295, 295A, 295H</p>	<p>PIPE SLIDE 82, 268, 98 TYPE F</p>	<p>DUAL ROLLERS 82, 268, 98 TYPE F WITH PIPE ROLL</p>	<p>PIPE STANCHION 63 82, 268, 98 TYPE F</p>
<p>ELBOW PIPE STANCHION 62 82, 268, 98 TYPE F</p>	<p>66 290 140, 146 82, 268, 98 TYPE G C-C (NEEDED)</p>	<p>66 290 140, 146 137 S 160-166A 82, 268, 98 TYPE G 60 C-C (NEEDED)</p>	

Each of these drawings are available on the Anvil web site in CAD format. The file name at the bottom of each box refers to that CAD file.

APPLICATION ASSEMBLY EXAMPLES

Rigid Hanger Assemblies



Each of these drawings are available on the Anvil web site in CAD format. The file name at the bottom of each box refers to that CAD file.

Rigid Hanger Assemblies (continued)

<p>RH_181_157_218 .DWG, .DXF, or .EPS</p>	<p>RH_167_65_157_218 .DWG, .DXF, or .EPS</p>	<p>RH_65_157_218 .DWG, .DXF, or .EPS</p>	<p>RH_167_65_92 .DWG, .DXF, or .EPS</p>
<p>RH_295_290_228 .DWG, .DXF, or .EPS</p>	<p>RH_260_228 .DWG, .DXF, or .EPS</p>	<p>RH_212_290_228 .DWG, .DXF, or .EPS</p>	<p>RH_69_157_218 .DWG, .DXF, or .EPS</p>
<p>RH_65_86 .DWG, .DXF, or .EPS</p>	<p>RH_69_92 .DWG, .DXF, or .EPS</p>	<p>RH_295_290_60 .DWG, .DXF, or .EPS</p>	<p>RH_295_290_66 .DWG, .DXF, or .EPS</p>

Each of these drawings are available on the Anvil web site in CAD format. The file name at the bottom of each box refers to that CAD file.

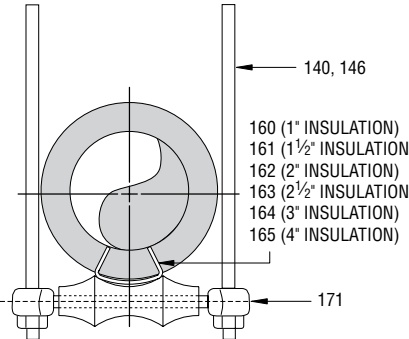
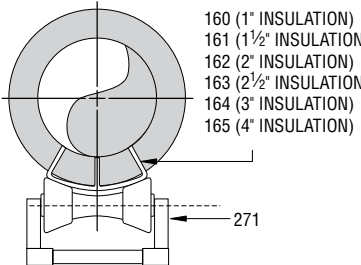
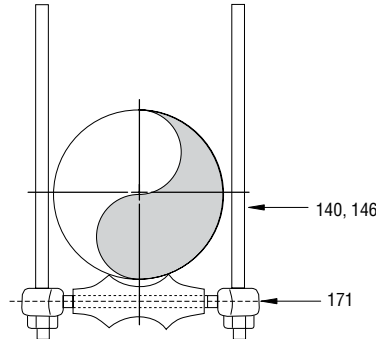
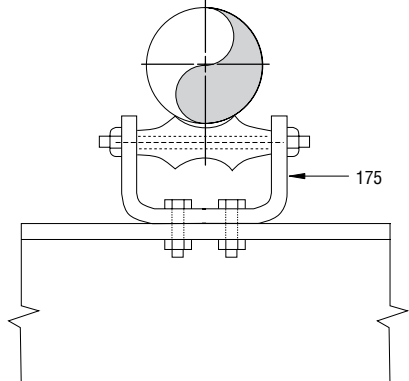
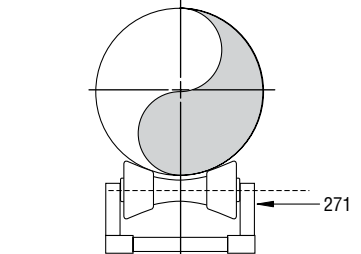
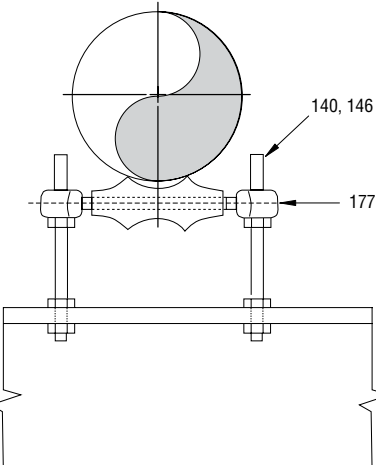
APPLICATION ASSEMBLY EXAMPLES

Rigid Hanger Assemblies (continued)

<p>FIG. 230 TURNBUCKLE AND FIG. 253 ROD MAY BE ADDED FOR VERTICAL ADJUSTMENT</p> <p>RH_260_290_66 .DWG, .DXF, or .EPS</p>	<p>RH_167_65_60 .DWG, .DXF, or .EPS</p>	<p>MEDIUM SERVICE MAX. SERVICE TEMP. 650 FOR PIPE CLAMP</p> <p>RH_212_290_60 .DWG, .DXF, or .EPS</p>
<p>RH_69_281_CI .DWG, .DXF, or .EPS</p>	<p>RH_65_281_CI .DWG, .DXF, or .EPS</p>	<p>167, SEE SELECTION CHART</p> <p>RH_167_65_281_CI .DWG, .DXF, or .EPS</p>
<p>RH_69_60 .DWG, .DXF, or .EPS</p>	<p>RH_160_181_60 .DWG, .DXF, or .EPS</p>	<ul style="list-style-type: none"> 160 (1" INSUL.) 161 (1½" INSUL.) 162 (2" INSUL.) 163 (2½" INSUL.) 164 (3" INSUL.) 165 (4" INSUL.) <p>RH_167_260_60 .DWG, .DXF, or .EPS</p>

Each of these drawings are available on the Anvil web site in CAD format. The file name at the bottom of each box refers to that CAD file.

Rigid Hanger Assemblies (continued)

 <p>140, 146</p> <p>160 (1" INSULATION) 161 (1½" INSULATION) 162 (2" INSULATION) 163 (2½" INSULATION) 164 (3" INSULATION) 165 (4" INSULATION)</p> <p>171</p> <p>RH_171_160_Trapeze .DWG, .DXF, or .EPS</p>	 <p>160 (1" INSULATION) 161 (1½" INSULATION) 162 (2" INSULATION) 163 (2½" INSULATION) 164 (3" INSULATION) 165 (4" INSULATION)</p> <p>271</p> <p>RH_271_160_Support .DWG, .DXF, or .EPS</p>	 <p>140, 146</p> <p>171</p> <p>RH_171_Trapeze .DWG, .DXF, or .EPS</p>
 <p>175</p> <p>RH_175_Support .DWG, .DXF, or .EPS</p>	 <p>271</p> <p>RH_271_Support .DWG, .DXF, or .EPS</p>	 <p>140, 146</p> <p>177</p> <p>RH_177_Support .DWG, .DXF, or .EPS</p>

Each of these drawings are available on the Anvil web site in CAD format. The file name at the bottom of each box refers to that CAD file.

Stanchions
& Supports

Guides
& Slides

Pipe Rolls
& Saddles

Trapeze

Spring
Hangers

Constant
Supports

Vibration Control
& Sway Brace

Sway Strut
Assembly

Snubbers

Special Design
Products

Seismic
Braces

Seismic
Restraints

Technical
Data

Index

ANVIL COMPLIANCES, LISTINGS AND APPROVALS

Agency Listings and MSS-SP Types

Anvil Figure Number	Product Types		Application Sizes						
	MSS SP-58 & ANSI/MSS SP-69	Federal Specifications		FM* Rod Size	FM* Pipe Size	UL ■ Rod Size	UL ■ Pipe Size	ULC ▲ Rod Size	ULC ▲ Pipe Size
		WW-H-171-E	A-A-1192A						
14	27	54	27	—	—	—	—	—	—
40	42	—	42	—	—	—	—	—	—
45	—	—	—	—	—	—	—	—	—
46	—	—	—	—	—	—	—	—	—
47	—	—	—	—	—	—	—	—	—
49	—	—	—	—	—	—	—	—	—
50	—	—	—	—	—	—	—	—	—
52	—	—	—	—	—	—	—	—	—
54	—	—	—	—	—	—	—	—	—
55	57	57	57	—	—	—	—	—	—
55L	57	57	57	—	—	—	—	—	—
60	—	—	—	—	—	—	—	—	—
62	—	—	—	—	—	—	—	—	—
63	—	—	—	—	—	—	—	—	—
65	—	1	—	—	—	—	—	—	—
66	22	22	22	—	—	—	—	—	—
67	5	—	5	—	—	—	—	—	—
69	10	10	10	3/8	3/4 - 4	3/8	3/4 - 4	—	—
				1/2	5 - 8	1/2	5 - 8	—	—
86	23	23	23	3/8	3/4 - 4	3/8	3/4 - 4	3/8	3/4 - 4
				—	—	1/2	5 - 8	1/2	5 - 8
				—	—	—	—	—	—
				—	—	3/4	12	3/4	12
88	23	23	23	3/8	3/4 - 4	3/8	3/4 - 4	3/8	3/4 - 4
				—	—	—	—	—	—
				—	—	3/4	12	3/4	12
89	—	—	—	—	—	—	—	—	
89X	—	—	—	—	—	up to 8	—	up to 8	
92	19 & 23	23	19 & 23	3/8	3/4 - 4	3/8	3/4 - 4	3/8	2 1/2 - 4
				1/2	5 - 8	1/2	5 - 8	1/2	5 - 8
93	19 & 23	23	19 & 23	3/8	3/4 - 4	3/8	3/4 - 4	3/8	2 1/2 - 4
				1/2	5 - 8	1/2	5 - 8	1/2	5 - 8
94	19	19	19	—	—	5/8	10, 12	—	—
				—	—	3/4	12	—	—
95	23	23	23	3/8, 1/2	—	3/8	—	—	—
100	—	—	—	—	—	—	—	—	—
103	—	—	—	—	—	—	—	—	—
104	6	6	6	—	—	—	—	—	—
108	11	11	11	—	—	—	—	—	—
110R	16	16	16	3/8	3/4 - 4	3/8	3/4 - 4	—	—
				1/2	5 - 8	1/2	5 - 8	—	—
				—	—	5/8	10, 12	—	—
				—	—	3/4	12	—	—
—	—	—	—	7/8	12	—	—	—	
112	—	—	—	—	—	—	—	—	
113	—	—	—	—	—	—	—	—	
114	15	15	15	—	—	—	—	—	—
120	—	—	—	—	—	—	—	—	—
126	—	—	—	—	—	—	—	—	—
127	—	—	—	—	—	—	—	—	—
128R	—	—	—	—	—	—	—	—	—
133	21	21	21	—	—	3/8	3/4 - 4	—	—
				—	—	1/2	5 - 8	—	—

* = FM Approved ■ = UL Listed ▲ = ULC Listed

ANVIL COMPLIANCES, LISTINGS AND APPROVALS

Agency Listings and MSS-SP Types

(cont.)

Anvil Figure Number	Product Types			Application Sizes					
	MSS SP-58 & ANSI/MSS SP-69	Federal Specifications		FM* Rod Size	FM* Pipe Size	UL ■ Rod Size	UL ■ Pipe Size	ULC ▲ Rod Size	ULC ▲ Pipe Size
		WW-H-171-E	A-A-1192A						
134	21	21	21	1/2	5 - 8	1/2	5 - 8	-	-
135	-	-	-	5/8	10 - 12	5/8	10 - 12	-	-
135E	-	-	-	-	-	-	-	-	-
135R	-	-	-	-	-	-	-	-	-
136	-	-	-	3/8	3/4 - 4	3/8	3/4 - 4	3/8	3/4 - 4
	-	-	-	1/2	5 - 8	1/2	5 - 8	1/2	5 - 8
	-	-	-	-	-	5/8	10, 12	5/8	10, 12
	-	-	-	-	-	3/4	12	3/4	12
	-	-	-	-	-	7/8	12	7/8	12
136R	-	-	-	-	-	3/8	3/4 - 4	-	-
	-	-	-	-	-	1/2	5 - 8	-	-
137	24	24	24	-	-	-	-	-	-
137C	24	24	24	-	-	-	-	-	-
137S	-	-	-	-	-	-	-	-	-
138R	12	25	12	-	-	-	-	-	-
140	-	-	-	-	-	-	-	-	-
142	-	-	-	-	-	-	-	-	-
146	-	-	-	-	-	-	-	-	-
148	-	-	-	-	-	-	-	-	-
152	-	-	-	3/8	3/4 - 2	3/8	3/4 - 4	3/8	3/4 - 4
	-	-	-	1/2	2 1/2 - 3 1/2	1/2	5 - 8	1/2	5 - 8
	-	-	-	5/8	4, 5	5/8	10, 12	5/8	10, 12
	-	-	-	3/4	6	3/4	12	3/4	12
	-	-	-	7/8	8	7/8	12	7/8	12
153	-	-	-	3/8	3/4 - 4	3/8	3/4 - 4	3/8	3/4 - 4
	-	-	-	1/2	5 - 8	1/2	5 - 8	1/2	5 - 8
	-	-	-	-	-	5/8	10, 12	5/8	10, 12
	-	-	-	-	-	3/4	12	3/4	12
157	-	-	-	-	-	-	12	-	12
	-	-	-	3/8	3/4 - 4	3/8	3/4 - 4	-	-
	-	-	-	1/2	5 - 8	1/2	5 - 8	-	-
	-	-	-	-	-	5/8	10, 12	-	-
	-	-	-	-	-	3/4	12	-	-
160	39A & 39B	40A & 40B	39A & 39B	-	-	-	-	-	-
161	39A & 39B	40A & 40B	39A & 39B	-	-	-	-	-	-
162	39A & 39B	40A & 40B	39A & 39B	-	-	-	-	-	-
163	39A & 39B	40A & 40B	39A & 39B	-	-	-	-	-	-
164	39A & 39B	40A & 40B	39A & 39B	-	-	-	-	-	-
165	39A & 39B	40A & 40B	39A & 39B	-	-	-	-	-	-
165A	39A & 39B	40A & 40B	39A & 39B	-	-	-	-	-	-
166A	39A & 39B	40A & 40B	39A & 39B	-	-	-	-	-	-
167	40	41	40	-	-	-	-	-	-
168	40	41	40	-	-	-	-	-	-
171	41	42	41	-	-	-	-	-	-
175	44	45	44	-	-	-	-	-	-
177	41	42	41	-	-	-	-	-	-
178	49	50	49	-	-	-	-	-	-
181	43	44	43	-	-	-	-	-	-
185	-	-	-	-	-	-	3/4 - 2	-	3/4 - 2
186	-	-	-	-	-	-	3/4 - 2	-	3/4 - 2
187	-	-	-	-	-	-	3/4 - 2	-	3/4 - 2
188	-	-	-	-	-	-	3/4 - 2	-	3/4 - 2
189	-	-	-	3/8	3/4 - 4	3/8	3/4 - 4	3/8	3/4 - 4

*= FM Approved ■ = UL Listed ▲ = ULC Listed



Stanchions & Supports
Guides & Slides
Pipe Rolls & Saddles
Trapeze
Spring Hangers
Constant Supports
Vibration Control & Sway Brace
Sway Strut Assembly
Snubbers
Special Design Products
Seismic Braces
Seismic Restraints
Technical Data
Index

ANVIL COMPLIANCES, LISTINGS AND APPROVALS

Agency Listings and MSS-SP Types

(cont.)

Anvil Figure Number	Product Types			Application Sizes					
	MSS SP-58 & ANSI/MSS SP-69	Federal Specifications		FM* Rod Size	FM* Pipe Size	UL ■ Rod Size	UL ■ Pipe Size	ULC ▲ Rod Size	ULC ▲ Pipe Size
		WW-H-171-E	A-A-1192A						
190	–	–	–	3/8	3/4 - 4	3/8	3/4 - 4	3/8	3/4 - 4
191	37	38	37	–	–	–	–	–	–
192	38	39	38	–	–	–	–	–	–
194	31	32	31	3/8	3/4 - 4	–	–	–	–
				1/2	5 - 8	–	–	–	–
				–	–	–	–	–	–
				–	–	–	–	–	–
195	32	33	32	–	–	–	–	–	
199	33	34	33	–	–	–	–	–	
202	34	35	34	3/8	3/4 - 4	3/8	1 - 4	3/8	1 - 4
				1/2 (Steel beam)	5 - 8	1/2	5 - 8	1/2	5 - 8
				–	–	5/8	10, 12	5/8	10, 12
206	34	35	34	3/8 (Steel)	3/4 - 4	3/8	3/4 - 4	–	–
				1/2 (Steel)	5 - 8	1/2	5 - 8	–	–
				–	–	3/8	10, 12	–	–
207	34	35	34	3/8 (Steel)	3/4 - 4	3/8	3/4 - 4	–	–
				–	–	1/2	5 - 8	–	–
212	4	4	4	3/8	3/4 - 2	3/8	3/4 - 4	3/8	3/4 - 4
				1/2	2 1/2 - 3 1/2	1/2	5 - 8	1/2	5 - 8
				5/8	4, 5	–	–	–	–
				3/4	6	–	–	–	–
				7/8	8	–	–	–	–
212FP	4	4	4	–	–	–	–	–	
216	4	4	4	–	–	–	–	–	
217	25	–	25	–	–	–	–	–	
218	30	30	30	3/8	3/4 - 4	3/8	3/4 - 4	3/8	3/4 - 4
				–	–	1/2	5 - 8	1/2	5 - 8
				–	–	5/8	10, 12	5/8	10, 12
				–	–	3/4	12	3/4	12
				–	–	7/8	12	7/8	12
224	2	2	2	–	–	–	–	–	
227	25	–	25	3/8	3/4 - 4	3/8	3/4 - 4	–	–
		–		–	1/2	5 - 8	–	–	
228	28 & 29	30 & 31	28 & 29	–	–	–	–	–	
228L	28 & 29	30 & 31	28 & 29	–	–	–	–	–	
230	13	13	13	–	–	–	–	–	
233	13	13	13	–	–	–	–	–	
243	–	–	–	–	–	–	–	–	
244	–	–	–	–	–	–	–	–	
246	2	2	2	–	–	–	–	–	
248	–	–	–	–	–	–	–	–	
248L	–	–	–	–	–	–	–	–	
248X	–	–	–	–	–	–	–	–	
253	–	–	–	–	–	–	–	–	
255	–	–	–	–	–	–	–	–	
256	–	–	–	–	–	–	–	–	
257	35	–	35	–	–	–	–	–	
257A	–	–	–	–	–	–	–	–	
258	36	36 & 37	36	–	–	–	–	–	
259	37	–	37	–	–	–	–	–	

* = FM Approved ■ = UL Listed ▲ = ULC Listed

ANVIL COMPLIANCES, LISTINGS AND APPROVALS

Agency Listings and MSS-SP Types

(cont.)

Anvil Figure Number	Product Types			Application Sizes					
	MSS SP-58 & ANSI/MSS SP-69	Federal Specifications		FM* Rod Size	FM* Pipe Size	UL ■ Rod Size	UL ■ Pipe Size	ULC ▲ Rod Size	ULC ▲ Pipe Size
		WW-H-171-E	A-A-1192A						
260	1	1	1	3/8	3/4 - 2	3/8	3/4 - 4	3/8	3/4 - 4
				1/2	2 1/2 - 3	1/2	5 - 8	-	-
				5/8	4, 5	-	-	-	-
				3/4	6	-	-	-	-
				7/8	8	-	-	-	-
261	8	8	8	-	-	-	1 1/2 - 8	-	1 1/2 - 8
262	26	26	26	-	-	-	-	-	-
264	38	39	38	-	-	-	-	-	-
265	38	39	38	-	-	-	-	-	-
271	44	45	44	-	-	-	-	-	-
274	46	47	46	-	-	-	-	-	-
274P	-	-	-	-	-	-	-	-	-
275	-	-	-	-	-	-	-	-	-
277	45	46	45	-	-	-	-	-	-
278	-	-	-	-	-	-	-	-	-
278L	-	-	-	-	-	-	-	-	-
278X	-	-	-	-	-	-	-	-	-
281	18	19	18	3/8	3/4 - 4	3/8	3/4 - 4	3/8	3/4 - 4
				1/2	5 - 8	1/2	5 - 8	1/2	5 - 8
				5/8	8 MAX.	5/8	10, 12	5/8	10, 12
				3/4	8 MAX.	3/4	12	3/4	12
282	18	18	18	3/8	3/4 - 4	3/8	3/4 - 4	3/8	3/4 - 4
				1/2	5 - 8	1/2	5 - 8	1/2	5 - 8
				5/8	8 MAX.	5/8	10, 12	5/8	10, 12
				3/4	8 MAX.	3/4	12	3/4	12
				7/8	8 MAX.	7/8	12	7/8	12
284	-	-	-	-	-	-	-	-	-
285	19	18	18	3/8	3/4 - 4	3/8	3/4 - 4	3/8	3/4 - 4
				1/2	5	1/2	5 - 8	1/2	5 - 8
				-	-	5/8	10, 12	5/8	10, 12
286	18	18	18	-	-	-	-	-	-
290	17	17	17	-	-	-	-	-	-
290L	17	17	17	-	-	-	-	-	-
291	-	-	-	-	-	-	-	-	-
292	28 & 29	28 & 29	28 & 29	-	-	-	-	-	-
292L	28 & 29	28 & 29	28 & 29	-	-	-	-	-	-
295	3	3	3	-	-	-	-	-	-
295A	3	3	3	-	-	-	-	-	-
295H	3	3	3	-	-	-	-	-	-
299	14	14	14	-	-	-	-	-	-
300	1	1	1	-	-	-	-	-	-
395	-	-	-	-	-	-	-	-	-
432	-	-	-	-	-	-	-	-	-
436	35	-	35	-	-	-	-	-	-
436A	-	-	-	-	-	-	-	-	-
439	35	-	35	-	-	-	-	-	-
590	1	1	1	-	-	-	-	-	-
594	-	-	-	-	-	-	-	-	-
595	8	-	8	-	-	-	-	-	-
599	-	-	-	-	-	-	-	-	-
600	8	-	8	-	-	-	-	-	-
777	-	-	-	-	-	3/8	1 - 4	3/8	1 - 4

*= FM Approved ■ = UL Listed ▲ = ULC Listed



Stanchions & Supports
Guides & Slides
Pipe Rolls & Saddles
Trapeze
Spring Hangers
Constant Supports
Vibration Control & Sway Brace
Sway Strut Assembly
Snubbers
Special Design Products
Seismic Braces
Seismic Restraints
Technical Data
Index

ANVIL COMPLIANCES, LISTINGS AND APPROVALS

Agency Listings and MSS-SP Types

(cont.)

Anvil Figure Number	Product Types		Application Sizes						
	MSS SP-58 & ANSI/MSS SP-69	Federal Specifications		FM* Rod Size	FM* Pipe Size	UL ■ Rod Size	UL ■ Pipe Size	ULC ▲ Rod Size	ULC ▲ Pipe Size
		WW-H-171-E	A-A-1192A						
CT-65	–	1	–	–	–	–	–	–	–
CT-69	10	10	10	–	–	–	–	–	–
CT-121	8	8	8	–	–	–	–	–	–
CT-128C	–	–	–	–	–	–	–	–	–
CT-138R	12	25	12	–	–	–	–	–	–
CT-255	–	–	–	–	–	–	–	–	–

A type is dependent upon its appropriate installation and use. Note: Figure 218 Must be used with Figure 157.

*= FM Approved ■ = UL Listed ▲ = ULC Listed

SEISMIC SWAY BRACE COMPLIANCES, LISTINGS AND APPROVALS					
Anvil Figure Number	Application Sizes for Schedule 10 & 40				
	FM Pipe Size	UL & ULC Pipe Size	UL & ULC Flange Thickness	FM Flange Thickness	OSHPD
770	1 - 6 (A)	1 - 6 (B)	–	–	X
771	1 - 8	1 - 8	–	–	X
772	1 - 8	1 - 8	½ - 1¼	¾ - 1¼	X
775	2½ - 8 (D)	2½ - 8	–	–	X
776	2½ - 8 (D)	–	–	–	X
778	1 - 8	1 - 8	½, ¼, ⅜	⅛ - ¾	X
779	–	1 - 8	–	–	–

SEISMIC RESTRAINT COMPLIANCES, LISTINGS AND APPROVALS			
Anvil Figure Number	Application Sizes for Schedule 10 & 40		
	UL Rod Size	UL Pipe Size	UL Brace Angle
770	–	1 - 2	–
773	⅜	¾ - 2	–
777	⅜	¾ - 2	0 - 90°

A - Sch. 40, Sch. 10 IPS and Flow Pipe

B - Sch. 40 1" - 6"; Sch. 10 1¼" - 6"

D - Sch. 10 and Sch. 40 2½" - 8". Flow Pipe 2½" - 6"

OSHPD - State of California Office of Statewide Health Planning and Development

Note: Refer to UL/ULC & FM websites for load and size combinations.

ENGINEERED HANGERS - COMPLIANCES, LISTINGS AND APPROVALS			
Anvil Figure Number	Product Types		
	MSS-SP-58 & MSS-SP-69	Federal Specifications	
		WW-H-171-E	A-A-1192A
170 - Horizontal Traveler	58	-	-
200, C-200, 201 and C-201 - Hydraulic Snubbers	47	-	-
211, C-211, 640, C-640 - Sway Strut Assembly	-	-	-
222 and C-222 - Mini-Sway Strut Assembly	-	-	-
247 - Light Duty Spring	48	49	49
296, C-296, 297, C-297, 298, C-298, 301, C-301 & 302 - Sway Brace	50	55	55
312 - Tapered Pin	-	-	-
3306 & 3307 - Hydraulic Snubbers	47	-	-
Variable Spring Hangers			
82, B-268, 98, Triple, Quadruple Type A-E	51	51	51
C-82, C-268, C-98, Triple-CR, Quadruple-CR Type A-E	51	51	51
82, B-268, 98, Triple, Quadruple Type F	52	56	56
C-82, C-268, C-98, Triple-CR, Quadruple-CR Type F	52	56	56
82, B-268, 98, Triple, Quadruple Type G	53	57	57
C-82, C-268, C-98, Triple-CR, Quadruple-CR Type G	53	57	57
Constant Support Hangers			
80-V and C-80-V Type A-E	55	58	58
80-V and C-80-V Type G	56	59	59
81-H and C-81-H Type A-E	54	52	52

ANVIL COMPLIANCES, LISTINGS AND APPROVALS

Manufacturers Standardization Society – Hanger Type Index

Type MSS SP-58 & ANSI/MSS SP-69	Anvil Figure Number
1	260
	300
	590
2	224
	246
3	295
	295A
	295H
4	212
	212FP
	216
5	67
6	104
8	261
	595
	600 CT-121
10	69 CT-69
11	108
12	138R
	CT-138R
13	230
	233
14	299
15	114
16	110R
17	290
	290L
	281
18	282
	286
	92
19	93
	94
	285
	133
21	134
	66
23	86
	88
	92
	93
	95
24	137
	137C
25	217
	227

Type MSS SP-58 & ANSI/MSS SP-69	Anvil Figure Number
26	262
27	14
28	228
	228L
	292
	292L
30	218
29	228
	228L
	292
	292L
31	194
32	195
33	199
34	202
	206
	207
35	257
	436
	439
36	258
37	191
	259
38	192
	264
	265
39A & 39B	160
	161
	162
	163
	164
	165
	165A
	166A
40	167
	168
41	171
42	177
43	40
44	181
45	175
	271
46	277
47	274
	200, C-200
	201, C-201
	3306
	3307

Type MSS SP-58 & ANSI/MSS SP-69	Anvil Figure Number	
48	247	
49	178	
50	296, C-296	
	297, C-297	
	298, C-298	
	301, C-301	
	302	
51	Type A-E	82, C-82
		98, C-98
		B-268, C-268
		Triple Spring Hanger
		Triple-CR Spring Hanger
52	Type F	82, C-82
		98, C-98
		B-268, C-268
		Triple Spring Hanger
		Triple-CR Spring Hanger
53	Type G	82, C-82
		98, C-98
		B-268, C-268
		Triple Spring Hanger
		Triple-CR Spring Hanger
54	81-H Type A-E	
	C-81-H Type A-E	
55	80-V Type A-E	
56	C-80-V Type A-E	
	80-V Type G	
57	C-80-V Type G	
	55	
58	55L	
	170	

Stanchions & Supports
Guides & Slides
Pipe Rolls & Saddles
Trapeze
Spring Hangers
Constant Supports
Vibration Control & Sway Brace
Sway Strut Assembly
Snubbers
Special Design Products
Seismic Braces
Seismic Restraints
Index

Pipe Hanger & Support

- Hardware Hangers Complete Product Line of:
 - Carbon Steel, Stainless Steel
 - Cast Iron, Malleable Iron
 - Copper & PVC Coated
 - Plain, Galvanized & Painted
- Engineered Hangers
 - Variable Springs
 - Constant Supports
 - Hydraulic Snubbers
 - Vibration Sway Braces
 - Sway Struts
 - Limit Stops
- Special Structural Steel, Fabrication/Miscellaneous
- Special Design Products per Customer Specifications
- Domestic Manufactured Product Line

Anvil Markets

- Fire Protection
- Mechanical HVAC/Plumbing
- Industrial
- Petro Chemical
- Refinery
- Pulp & Paper
- Waste Water, Water Treatment
- Marine
- Co-generation
- Fossil Power
- Nuclear Power
- Seismic

Technical Services

- Design services, either on or off site, help you maximize the efficiency of your pipe support systems. These services include:
 - Pipe Hanger design and engineering
 - Drafting Services
 - System Analysis
 - Pipe Stress Analysis
 - Product Qualification Testing
 - Supervision of client design personnel
 - HYDRAULIC SNUBBERS:
 - The Pipe Support Division has the technical expertise, manufacturing facilities and testing equipment to provide extensive design, installation, maintenance and repair or rebuild services for hydraulic shock suppressors.
 - On site service available by certified technicians for fossil and nuclear plants.

Pipe Hanger Specifications

- Federal Spec WW-H-171E and A-A-1192A
- Underwriters Laboratory
- Factory Mutual (FM)
- Manufacturers Standardization Society (MSS) SP-58, SP-69, SP-77, SP-89 and SP-90
- National Fire Protection Association (NFPA)
- ASME Boiler and Pressure Vessel Code
 - Section III (Nuclear)
 - B31.1 Power Piping
 - B31.3 Chemical Plant and Petroleum Refinery Piping
 - B31.9 Building Services Piping
- MIL Spec P-15877 Marine Hangers
- FIELD SERVICES:
 - Support walk downs and verification
 - QA/QC services for on site or off site work
 - Support adjustments and materials
 - QA inspection and verification
 - Integrity Analysis
 - Non-destructive Examination
 - Training Programs
- Nuclear services geared to nuclear power market include:
 - Section XI Services
 - Compliance with NRC directives involving piping systems and components
 - Accredited by and granted an "NPT" Certificate of Authorization and "NS" Certificate of Accreditation
 - Quality activities audited by NUPIC and various individual utilities
 - Commercial grade dedication program.

Electronic Pipe Support Catalog

- Available on-line on our web site
- Export CAD drawings to most CAD programs (EPS, DXF and DWG).
- Quick Retrieval of Product Data
- A Faster Way to Build Product Submittals

Web Site Address

<http://www.anvilintl.com>

ANVIL TERMS OF SALE AND CONDITIONS

1. CONTROLLING PROVISIONS: These terms and conditions shall control with respect to any purchase order or sale of Seller's products. No waiver, alteration or modification of these terms and conditions whether on Buyer's purchase order or otherwise shall be valid unless the waiver, alteration or modification is specifically accepted in writing and signed by an authorized representative of Seller.

2. DELIVERY: Seller will make every effort to complete delivery of products as indicated on Seller's acceptance of an order, but Seller assumes no responsibility or liability, and will accept no back charge, for loss or damage due to delay or inability to deliver caused by acts of God, war, labor difficulties, accident, delays of carriers, by contractors or suppliers, inability to obtain materials, shortages of fuel and energy, or any other causes of any kind whatever beyond the control of Seller. Seller may terminate any contract of sale of its products without liability of any nature, by written notice to Buyer, in the event that the delay in delivery or performance resulting from any of the aforesaid causes shall continue for a period of sixty (60) days. Under no circumstances shall Seller be liable for any special or consequential damages or for loss, damage, or expense (whether or not based on negligence) directly or indirectly arising from delays or failure to give notice of delay.

3. WARRANTY: Seller warrants for one year from the date of shipment Seller's manufactured products to the extent that Seller will replace those having defects in material or workmanship when used for the purpose and in the manner which Seller recommends. If Seller examination shall disclose to its satisfaction that the products are defective, and an adjustment is required, the amount of such adjustment shall not exceed the net sales price of the defective products and no allowance will be made for labor or expense of repairing or replacing defective products or workmanship of damage resulting from the same. Seller warrants the products which it sells of other manufacturers to the extent of the warranties of their respective makers. Where engineering design or fabrication work is supplied, Buyer's acceptance of Seller's design or of delivery of work shall relieve Seller of all further obligation, other than expressed in Seller's product warranty. THIS IS SELLER'S SOLE WARRANTY. SELLER MAKES NO OTHER WARRANTY OF ANY KIND, EXPRESSED OR IMPLIED AND ALL IMPLIED WARRANTIES OF MERCHANTABILITY AND FOR A PARTICULAR PURPOSE WHICH EXCEED SELLER'S AFORESTATED OBLIGATION ARE HEREBY DISCLAIMED BY SELLER AND EXCLUDED FROM THIS WARRANTY. Seller neither assumes, nor authorizes any person to assume for it, any other obligation in connection with the sale of its engineering designs or products. This warranty shall not apply to any products or parts of products which (a) have been repaired or altered outside of Seller's factory, in any manner; (b) have been subjected to misuse, negligence or accidents; (c) have been used in a manner contrary to Seller's instructions or recommendations. Seller shall not be responsible for design errors due to inaccurate or incomplete information supplied by Buyer or its representatives.

4. SELLER'S LIABILITY: Seller will not be liable for any loss, damage, cost of repairs, incidental or consequential damages of any kind, whether based upon warranty (except for the obligation accepted by Seller under "Warranty" above), contract or negligence, arising in connection with the design, manufacture, sale, use or repair of the products or of the engineering designs supplied to Buyer.

5. RETURNS: Seller cannot accept return of any products unless its written permission has been first obtained, in which case same will be credited subject to the following: (a) all material returned must, on its arrival at Seller's Plant, be found to be in first-class condition; if not, cost of putting in saleable condition will be deducted from credit

memoranda; (b) a handling charge deduction of twenty percent (20%) will be made from all credit memoranda issued for material returned; and (c) transportation charges, if not prepaid will be deducted from credit memoranda.

6. SHIPMENTS: All products sent out will be carefully examined, counted and packed. The cost of any special packing or special handling caused by Buyer's requirements or requests shall be added to the amount of the order. No claim for shortages will be allowed unless made in writing within ten (10) days of receipt of a shipment. Claims for products damaged or lost in transit should be made on the carrier, as Seller's responsibility ceases, and title passes, on delivery to the carrier.

7. SPECIAL PRODUCTS: Orders covering special or nonstandard products are not subject to cancellation except on such terms as Seller may specify on application.

8. PRICES AND DESIGNS: Prices and designs are subject to change without notice. All prices are F.O.B. Point of shipment, unless otherwise stated.

9. TAXES: The amount of any sales, excise or other taxes, if any, applicable to the products covered by this order, shall be paid by Buyer unless Buyer provides Seller with an exemption certificate acceptable to the taxing authorities.

10. NUCLEAR PLANTS: Where the products, engineering design or fabrication are utilized in nuclear plant applications, Buyer agrees: (a) to take all necessary steps to add Seller as an insured under the property insurance policies and nuclear liability insurance policies covering the nuclear power plant facility at which the products, engineering design or fabrication are utilized; (b) to obtain a waiver of any claims against Seller by the nuclear power plant owner and a waiver of subrogation against Seller from such owners' property insurer with respect to any loss or damage to property at the nuclear power plant site arising from the products, engineering design or fabrication; (c) to indemnify and hold Seller harmless against all claims, costs, expenses (including attorneys fees), loss, damage, or other liability that Seller would not have incurred but for Buyer's failure to comply with subsections (a) and (b) of this Section 10; and (d) to indemnify and hold Seller harmless with respect to any personal injury (or death), property damage or other loss resulting from a nuclear incident which is caused directly or indirectly by defective design, material or workmanship furnished by Seller.

11. MINIMUM INVOICE: \$100.00 plus transportation.

12. TERMS: Cash, net 30 days unless otherwise specified.

NOTE: All orders are accepted on the basis of prices in effect at the time of shipment.

NOTICE: The prices and terms quoted, there will be added any manufacturers or sales tax payable on the transaction under any effective statute.

FREIGHT ALLOWANCE: All prices are F.O.B. point of shipment. On (non-engineered product) shipments of 2,500 pounds or more, rail freight or motor freight at the lowest published rates is allowed to all continental U.S. rail points or all U.S. highway points listed in published tariffs (Alaska and Hawaii excluded). In no case will more than actual freight be allowed.

EXCEPTIONS: All Constant Supports, Spring Hangers, Sway Braces and all Engineered, Bundled and Tagged Hanger Assemblies are F.O.B. Plants, with No Freight Allowed.



Subject Index	
Table of Contents	4 - 6
Photo Index	7 - 16
General Notes	17 - 19
Piping Attachments	20 - 27
Clevis Hangers & Shields	20 - 34
Ring Hangers	35 - 42
Pipe Clamps	43 - 51
Riser Clamps	52 - 55
U-Bolts & Straps	56 - 61
CPVC	35, 62 - 68
AWWA	31 - 32, 69 - 70
Structural Attachments	71 - 110
Beam Clamps	71 - 83
Ceiling Plates & Flanges	84 - 87
Wall Brackets	88 - 96
Welded Attachments	97 - 101
Concrete Inserts & Attachments	102 - 110
Hanger Rods & Accessories	111 - 122
Rod & Eye Rods	111 - 114
Rod Couplings & Turnbuckles	115 - 117
Swivel Attachments	118 - 120
Hardware & Accessories	121 - 122
Stanchions & Supports	123 - 130
Guides & Slides	131 - 144
Pipe Rolls & Saddles	145 - 157
Trapeze	158 - 160
Engineered Pipe Supports	162 - 228
Spring Hangers	162 - 179
Constant Supports	180 - 204
Vibration Control & Sway Brace	205 - 207
Sway Strut Assembly	208 - 212
Snubbers	213 - 222
Special Design Products	223 - 228
Anvil/AFCON Seismic Solutions	230 - 264
Seismic Braces	230 - 259
Seismic Restraints	260 - 264

Subject Index	
Pipe Hanger Specifications	265 - 266
Master Format 3 Part Specification	267
Application Assembly Examples	278 - 285

Technical Data Index (Note #1)	
Pipe Support Spacing	268 - 269
Pipe Data	270 - 273
Thermal Expansion of Pipe Material	274 - 275
Threaded Rod Data	276
Torques: Riser Clamps & C-Clamps	276
Beam Dimensions	277
Anvil Compliances, Listings & Approvals	286 - 291
Anvil Pipe Hangers and Support Services	292
Anvil Terms of Sale and Conditions	293

Note #1: Charts and Tables

Charts and tables in this section are compiled from information published by nationally recognized organizations and are intended for use as a guide only. Anvil International ("Anvil") recommends that users of this information determine the validity of such information as applied to their own applications.

Fig. 14 thru Fig. 192

● = Columbia, PA ■ = North Kingstown, RI ▲ = Henderson, TN
 † = Regional Service Centers * = rod dia. over 1½" (North Kingstown, RI)
 For contact information for the locations listed above, please refer to the back cover.

Figure Number	Provided From	Page
14	▲	78
38SD	■▲	223
40	■▲	52
40SD	■▲	223
41SD	■▲	223
42SD	■▲	224
45	■▲	158
46	■▲	159
47	▲*	108
49	▲*	109
50	■▲	160
52	▲*	110
53SD	■▲	224
54	■	97
55 & 55L	▲*	98
60 (Afcon Fig. 962)	▲*	99
62 Type A, B & C	■▲	123
63 Type A, B, C, P & T	■▲	124
65 (Afcon Fig. 372)	N/A	20
66	▲	100
67	▲	22
67F	▲	23
69 (Afcon Fig. 300)	▲	35
69F	▲	36
70 (Afcon Fig. 303)	▲	38
71SD	■	225
72SD	■	225
75LL	■	153
75SD	■▲	226
76SD	■▲	226
76CP	■	153
80-V Type A	■	188
80-V Type B	■	189
80-V Type C	■	190
80-V Type D	■	191
80-V Type E	■	192
80-V Type F	■	193
80-V Type G	■	194
80-V Type A, B & C (84-110)	■	195
81-H Type A	■	196
81-H Type B	■	197
81-H Type C	■	198
81-H Type D	■	199
81-H Type E	■	200
81-H Type F Upthrust	■	201
81-H Type A, B, C & E (84-110)	■	202
82	■	162 - 163, 172 - 173
86 & 88	●	71
89	▲	72

Figure Number	Provided From	Page
89X	▲	72
92 (Afcon Fig. 100)	●	73
93 (Afcon Fig. 105)	●	74
94	●	75
95	▲	76
98, C-98 Series	■	162 - 163, 174 - 175
100	▲	43
103	▲	43
104	●	39
108	●	40
110R	●	118
112	●	101
113	●	101
114	●	116
120	▲	56
126	●	59
127	▲	84
128R	●	84
133	▲	77
134	▲	77
135, 135i, 135E & 135R	▲	115
136 & 136R	●	115
137, 137S & 137C	▲	56 - 57
137SS	▲	58
138R	N/A	41
140 (Afcon Fig. 660)	■▲	113
142 (Afcon Fig. 920)	▲	111
146 (Afcon Fig. 650)	†	111
148	■	112
152	●	102
153	●	86
157	●	119
160 thru 166A	■▲	154 - 157
167	▲	33
168	▲	34
170	■	228
171	▲	145
175	▲	146
177	▲	147
178	▲	148
181	▲	149
184 (Afcon Fig. 575)	▲	62
185 (Afcon Fig. 513)	▲	63
186 (Afcon Fig. 510)	▲	64
187 (Afcon Fig. 511)	▲	65
188	▲	66
188R (Afcon Fig. 514)	▲	67 - 68
191	▲	125
192	▲	125

Stanchions & Supports
 Guides & Slides
 Pipe Poles & Saddles
 Trapeze
 Spring Hangers
 Constant Supports
 Vibration Control & Sway Brace
 Sway Strut Assembly
 Snubbers
 Special Design Products
 Seismic Braces
 Seismic Restraints
 Technical Data

Index

Fig. 194 thru Fig. AF411

● = Columbia, PA ■ = North Kingstown, RI ▲ = Henderson, TN
 † = Regional Service Centers * = rod dia. over 1½" (North Kingstown, RI)
 For contact information for the locations listed above, please refer to the back cover.

Figure Number	Provided From	Page
194 (Afcon Fig. 770)	▲	88
195	▲	89
199	▲	90
200, C-200	■	213 - 216
201, C-201	■	213 - 216
202	●	91
206 (Afcon Fig. 556/560/565)	▲	92
207 (Afcon Fig. 553/555)	▲	92
211, C-211	■	208 - 209
212 (Afcon Fig. 415)	▲	44, 131
212FP	▲	45
216 (Afcon Fig. 420)	▲	46
217	▲	78
218	●	79
220		126
221		126
222, C-222	■	210 - 211
223		126
224	■	47
226 (Afcon Fig. 142)		80
227 (Afcon Fig. 140)	▲	81
228	▲	82
230	▲*	117
233	■	117
243	■▲	59
244	■▲	60
246	■	48
248 (Afcon Fig. 680)	▲	113
248L	▲	113
248X	▲	114
250		24
253	▲*	113
255	▲	132 - 133
256	▲	136 - 137
257	▲	138 - 141
257A	▲	138 - 141
258	▲	127
259	▲	128
260 (Afcon Fig. 371)	▲	25
260 ISS	▲	27 - 29
260SS	▲	26
261 (Afcon Fig. 400)	▲	53
261SS	▲	54
262 (Afcon Fig. 500)	▲	60
264 (Afcon Fig. 707)	▲	129
265 (Afcon Fig. 708)	▲	130
266		61
271	▲	150
274 & 274P	▲	151
275	▲	151

Figure Number	Provided From	Page
277	▲	152
278 (Afcon Fig. 681)	▲*	114
278L	▲*	114
278X	▲*	114
281	▲	103
282	●	104
284	▲	105
285	▲	106
286	†	107
290 & 290L	▲*	119
291	■▲	121
292 & 292L	▲	83
295 (Afcon Fig. 425)	▲	49
295A	▲	50
295H	■▲	51
296, 301, C-296, C-301	■	205 - 206
297, 298, 302, 303	■	207
299	▲*	120
300	▲	30
312	■	217
395	●	85
432	▲	144
436 & 436A	▲	138 - 141
439 & 439A	▲	142 - 143
550 (Afcon Fig. 550)		93 - 94
551 (Afcon Fig. 551)		95 - 96
590	▲	31
590SS	▲	32
594	▲	69
595 (Afcon Fig. 850)	▲	69
599	▲	70
600	▲	70
610 (Afcon Fig. 610)		87
640, C-640	■	208 - 209
3306, 3307	■	218 - 221
AF001 (Anvil Fig. 770 & Afcon Fig. 001/020)	▲	230 - 231
AF035 (Afcon Fig. 035)	▲	232 - 233
AF074 (Afcon Fig. 074)	▲	246 - 247
AF075 (Afcon Fig. 075)	▲	234 - 235
AF076 (Afcon Fig. 076)	▲	236 - 237
AF078 (Afcon Fig. 078)	▲	246 - 247
AF085 (Afcon Fig. 085)	▲	240 - 241
AF086 (Afcon Fig. 086)	▲	242 - 243
AF087 (Afcon Fig. 087)	▲	244 - 245
AF090 (Anvil Fig. 89X & Afcon Fig. 160)	▲	260
AF090R (Afcon Fig. 162)	▲	261
AF310 (Afcon Fig. 310)	▲	262
AF411 (Afcon Fig. 411)	▲	246 - 247

Fig. AF771 thru Triple Spring

● = Columbia, PA ■ = North Kingstown, RI ▲ = Henderson, TN
 † = Regional Service Centers * = rod dia. over 1½" (North Kingstown, RI)
 For contact information for the locations listed above, please refer to the back cover.

Figure Number	Provided From	Page
AF771 (Anvil Fig. 771)	▲	248 - 249
AF772 (Anvil Fig. 772)	▲	250 - 252
AF773 (Anvil Fig. 773)	▲	263
AF775 (Anvil Fig. 775)	▲	253 - 254
AF776 (Anvil Fig. 776)	▲	255 - 256
AF777 (Anvil Fig. 777 & Afcon Fig. 615)	▲	264
AF778 (Anvil Fig. 778)	▲	257 - 258
AF779 (Anvil Fig. 779 & Afcon Fig. 080)	▲	259
B-268, C-268 Type A	■	167
B-268, C-268 Type B & C	■	168
B-268, C-268 Type D & E	■	169
B-268, C-268 Type F	■	170
B-268, C-268 Type G	■	171
CT-65	N/A	21
CT-69	▲	37
CT-121	▲	55
CT-128R	●	85
CT-138R	N/A	42
CT-255	▲	134 - 135
Machine Bolts & Hexagon Nuts	N/A	122
Quadruple Spring, Quadruple Spring-CR Series	■	176 - 177
Snubber Fluid	■	222
Triple Spring, Triple Spring-CR Series	■	178 - 179

Stanchions & Supports

Guides & Slides

Pipe Poles & Saddles

Trapeze

Spring Hangers

Constant Supports

Vibration Control & Sway Brace

Sway Strut Assembly

Snubbers

Special Design Products

Seismic Braces

Seismic Restraints

Technical Data

Index



ANVIL[®]
INTERNATIONAL

Building Connections That Last

www.anvilintl.com

Pipe Hangers & Supports

www.anvilintl.com



PIPE HANGERS & SUPPORTS CATALOG
ORDER DOCUMENT #165

Pipe Fittings & Steel Nipples

www.anvilintl.com



DOWNLOADABLE
INTERACTIVE EDITION



PIPE FITTINGS & STEEL NIPPLES CATALOG
ORDER DOCUMENT #010

ANVIL-STRUT Metal Framing & H-Block

www.anvilintl.com



ANVIL-STRUT METAL FRAMING & H-BLOCK CATALOG
ORDER DOCUMENT #125



Pipe Fitters Handbook

PIPE FITTERS HANDBOOK
ORDER DOCUMENT #030

GRUVLOK Mechanical Piping

www.anvilintl.com



GRUVLOK MECHANICAL PIPING CATALOG
ORDER DOCUMENT #040

BRANDS OF ANVIL INTERNATIONAL



Anvil product lines include malleable and cast iron fittings, unions and flanges; seamless and welded steel pipe nipples; steel pipe couplings; universal anvilets; forged steel fittings and unions; pipe hangers and supports; threaded rod; and engineered hangers.



The Gruvlok product line consists of couplings for grooved and plain-end fittings, butterfly valves and check valves; flanges; pump protection components; pipe grooving tools; as well as copper and stainless steel system components.



The SPF/Anvil product line includes a variety of internationally sourced products such as grooved couplings, fittings, cast iron, malleable iron and ductile iron threaded fittings, steel pipe nipples, as well as tee-lets.



Anvil EPS-Engineered Pipe Supports are products used to support piping systems under thermal, seismic, and other dynamic loading conditions. The product line encompasses variable spring hangers, constant supports, sway struts and snubbers as well as standard and special design clamps. Anvil EPS brings the highest quality products and innovative engineering solutions to common and uncommon piping system problems.



The Afcon seismic bracing line includes UL listed and FM approved structural attachments for concrete, wood or steel structural members like bar joist or I-beams, swivel connections that accept various brace material including steel pipe, conduit or strut. Afcon's seismic system attachments are engineered for up to 12" IPS steel pipe, copper tubing or plastic pipe.



The Merit product line includes a variety of tee-lets and drop nipples for fire protection applications. Most Merit products are UL/ULC Listed, FM Approved, and rated from 175 to 300 psi.



JB Smith is the leading manufacturer of oil country tubular fittings, swages and bull plugs – all meeting API specifications. Offering tubing nipples, casing nipples as well as a full line of traditional line pipe and oil country threads in every schedule, JB Smith is the resource for all your oilfield needs.



Catawissa hammer unions are offered in threaded ends and butt weld ends, and are interchangeable with most leading union manufacturers. Fully traceable and available with complete mill certifications, Catawissa's oilfield hammer union product line includes the standard ball-and-cone design plus our unique Figure 300 Flat Face design, where space and pipe line separation are a consideration.



Anvil-Strut products include a complete line of channel in stock lengths of 10 and 20 feet, with custom lengths available upon request. A variety of fittings and accessories are also offered. All products can be ordered in an assortment of finishes and material choices including SupR-Green™, Zinc Trivalent Chromium, pre-galvanized, hot-dipped galvanized, electro-galvanized, aluminum, plain, and stainless steel.



Steel pipe nipples and steel pipe couplings are manufactured in accordance with the ASTM A733 Standard Specification for Welded and Seamless Carbon Steel and Stainless Steel Pipe Nipples. Steel pipe couplings are manufactured in accordance with the ASTM A865 Standard Specification for Threaded Couplings, Steel, Black or Zinc-Coated (Galvanized) Welded or Seamless, for Use in Steel Pipe Joints. API couplings are manufactured in accordance with the API Specification for line pipe.



Founded in 1983, NAP is a manufacturer of fabrication equipment, including automatic welders, plasma cut-off equipment, hole cutting equipment, make-on machines and pipe threaders. NAP, innovators of pipe fabrication equipment.

CORPORATE OFFICES

2 Holland Way
Exeter, NH 03833
Tel: 603-418-2800 • Fax: 603-418-2833
Email: marketing@anvilintl.com



CUSTOMER SERVICE

United States

Tel: 800-301-2701
Fax: 708-534-5441
Email: customerservice@anvilintl.com

Anvil EPS

Engineered Pipe Supports Customer Service Center
Tel: 401-886-3000
Fax: 401-886-3010
Toll Free: 1-877-406-3108

Canada

Tel: 519-426-4551
Fax: 519-426-5509
Email: canadacs@anvilintl.com

Latin America

Tel: 800-301-2701
Fax: 708-534-5441
Email: latinoamerica@anvilintl.com

International

Tel: 800-301-2701
Fax: 708-534-5441
Email: internationalsales@anvilintl.com

REGIONAL DISTRIBUTION CENTERS

United States

Pennsylvania
800 Malleable Road
Columbia, PA 17512

Illinois

7979 W. 183rd Street, Unit D
Tinley Park, IL 60477

Texas

1401 Valley View Lane, Suite 150
Irving, TX 75061

Florida

236 Outlook Point Drive, Suite 100
Orlando, FL 32809

California

1470 S. Vintage Avenue
Ontario, CA 91761

International

Canada

390 Second Avenue, Simcoe
P.O. Box 40
Ontario, Canada N3Y 4K9

BUILDING CONNECTIONS THAT LAST

