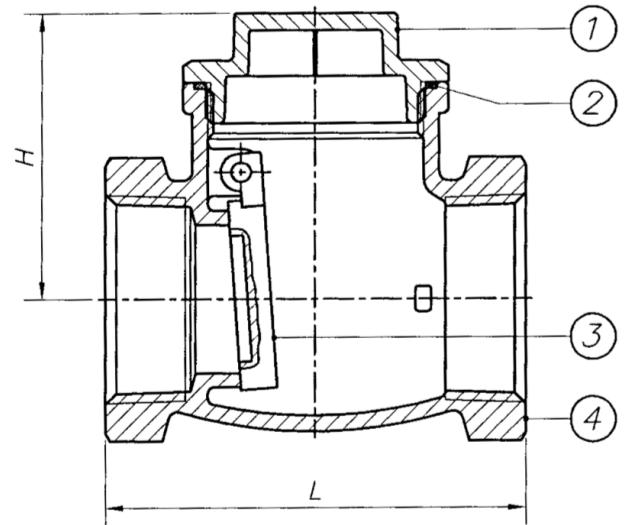


640 Series Brass Swing Check Valve IPS



SPECIFICATIONS

- SIZES: 1/4" - 4"
- PRESSURE RATING: 200 WOG | NON-SHOCK
- PRESSURE RATING FOR STEAM: 125 PSI | 320°F MAX.
- TEMPERATURE RATING: 180°F

DIMENSIONS		(INCHES)	
SIZE	H	L	
1/4"	1.42	2.09	
3/8"	1.42	2.09	
1/2"	1.42	2.09	
3/4"	1.56	2.36	
1"	1.77	2.62	
1 1/4"	2.07	3.19	
1 1/2"	2.17	3.54	
2"	2.74	4.21	
2 1/2"	3.09	5.14	
3"	3.80	5.77	
4"	4.25	6.84	

COMPONENTS		
NO.	BODY PART	MATERIAL
1	CAP	CAST BRASS C46400
2	PACKING	FIBER "H"
3	DISC	CAST BRASS C46400
4	BODY	CAST BRASS C46400
5	BOLT	BRASS ROD C46400
6	PIN	BRASS ROD C46400

